



US00D541139S

(12) **United States Design Patent**  
**Jackson**

(10) **Patent No.:** **US D541,139 S**

(45) **Date of Patent:** **\*\* Apr. 24, 2007**

(54) **SUPPORT FOR ATTACHING A HOOK TO A WALL**

(75) Inventor: **Steven Peter Jackson**, Brampton (CA)

(73) Assignee: **Gracious Living Corporation**, Woodbridge (CA)

(\*\*) Term: **14 Years**

(21) Appl. No.: **29/253,754**

(22) Filed: **Feb. 13, 2006**

**Related U.S. Application Data**

(63) Continuation of application No. 29/245,484, filed on Dec. 27, 2005.

(51) **LOC (8) Cl.** ..... **08-05**

(52) **U.S. Cl.** ..... **D8/367**

(58) **Field of Classification Search** ..... D8/367,  
D8/363, 381, 373; 248/200, 300, 220.41,  
248/220.22, 220.31

See application file for complete search history.

(56) **References Cited**

**U.S. PATENT DOCUMENTS**

3,409,260 A \* 11/1968 Bleed ..... 248/220.22  
4,452,360 A \* 6/1984 Barnes ..... 211/59.1

D301,406 S 6/1989 Barbieri et al.  
D315,860 S 4/1991 Joss et al.  
D327,641 S 7/1992 Hoskinson et al.  
D406,485 S 3/1999 Paikos et al.  
D497,794 S \* 11/2004 Anderson et al. .... D8/367

\* cited by examiner

*Primary Examiner*—Holly H. Baynham

(74) *Attorney, Agent, or Firm*—Bereskin & Parr

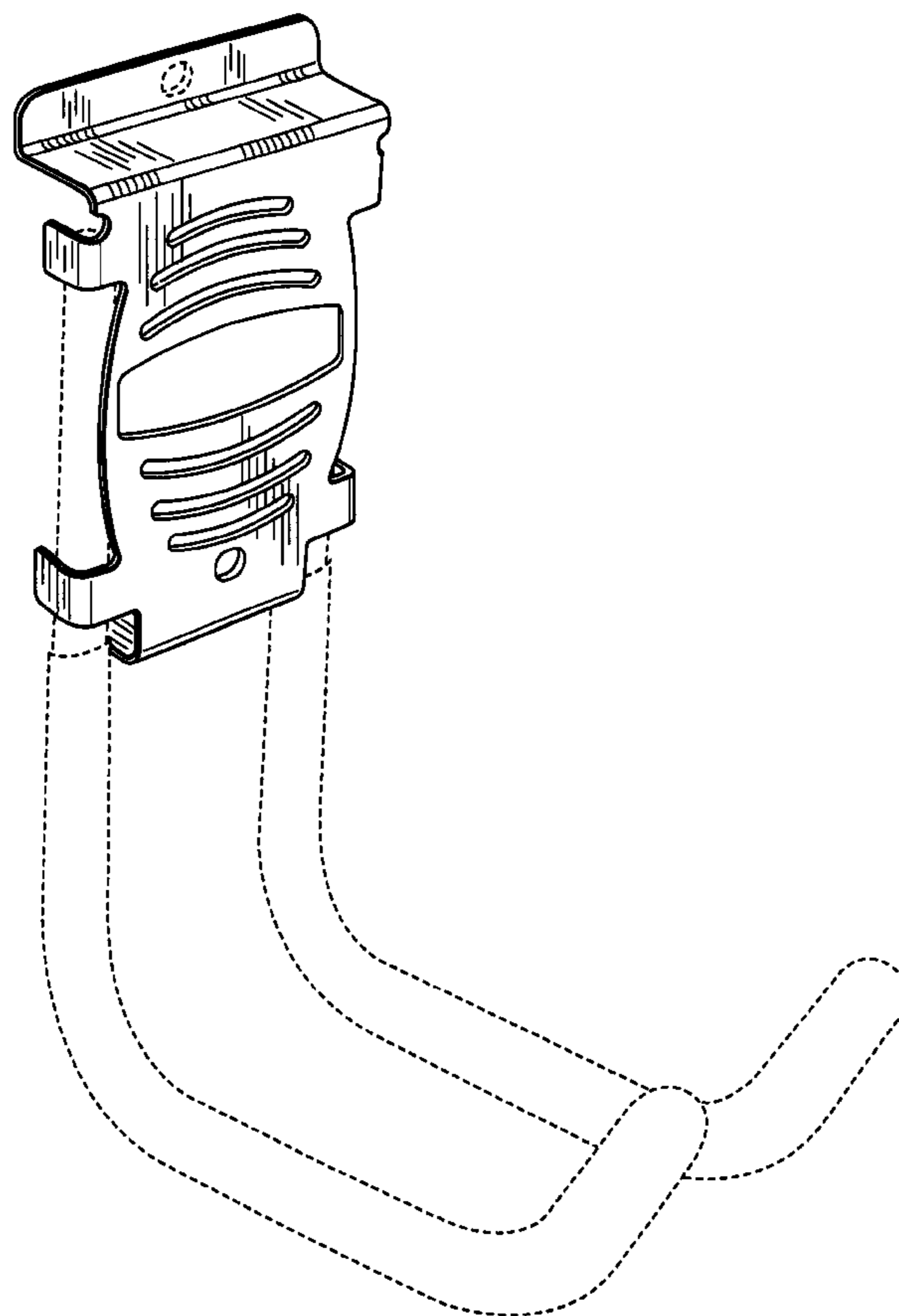
(57) **CLAIM**

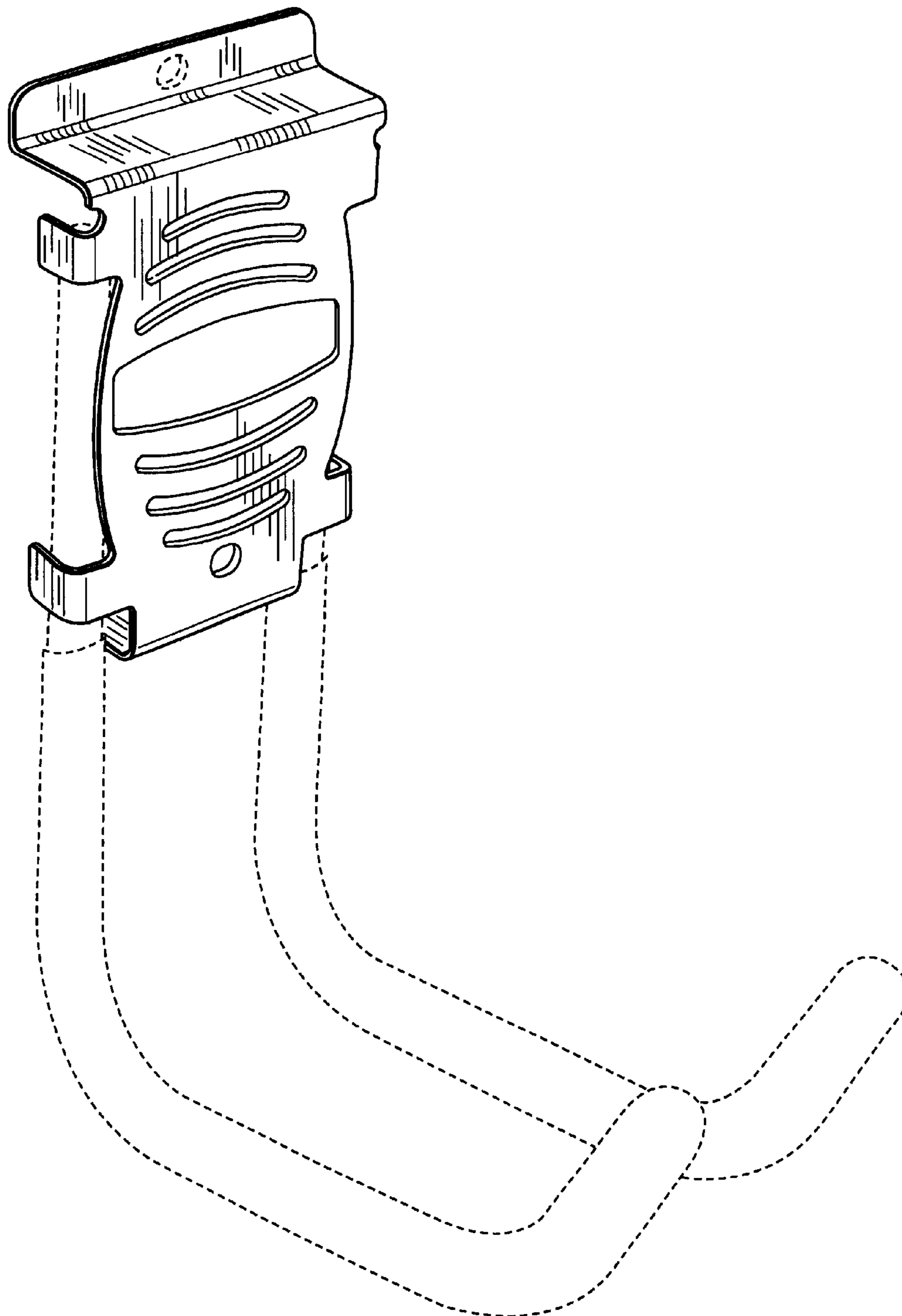
The ornamental design for a support for attaching a hook to a wall, as described and shown.

**DESCRIPTION**

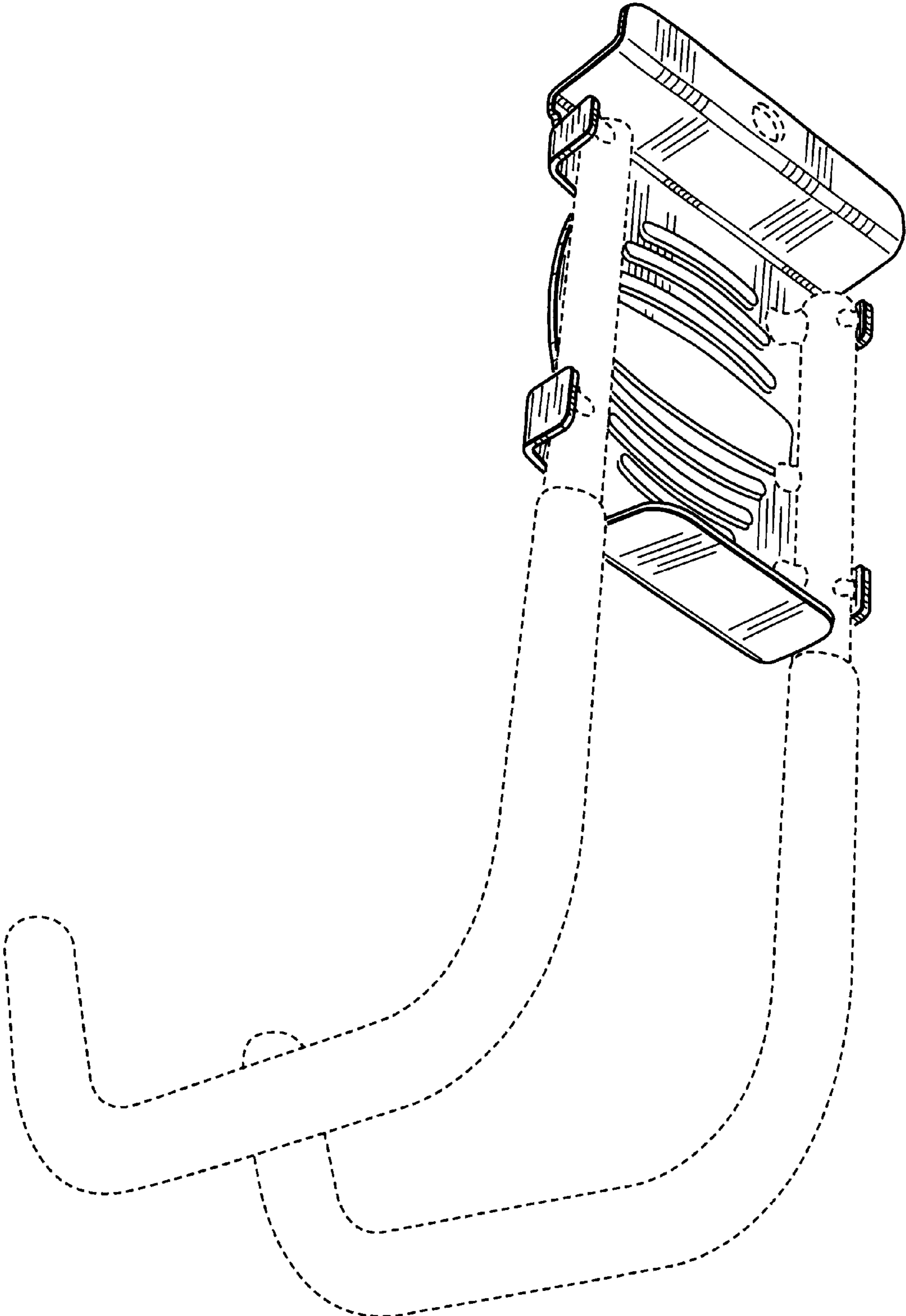
FIG. 1 is a perspective view from the front and one side of a support for attaching a hook to a wall;  
FIG. 2 is a perspective view from the rear and one side of the support of FIG. 1;  
FIG. 3 is a side elevation view from one side of the support of FIG. 1;  
FIG. 4 is a front elevation view of the support of FIG. 1;  
FIG. 5 is a rear elevation view of the support of FIG. 1;  
FIG. 6 is a top plan view of the support of FIG. 1; and,  
FIG. 7 is a bottom plan view of the support of FIG. 1.  
The matter shown in broken lines is environmental structure and forms no part of the claimed design.

**1 Claim, 5 Drawing Sheets**

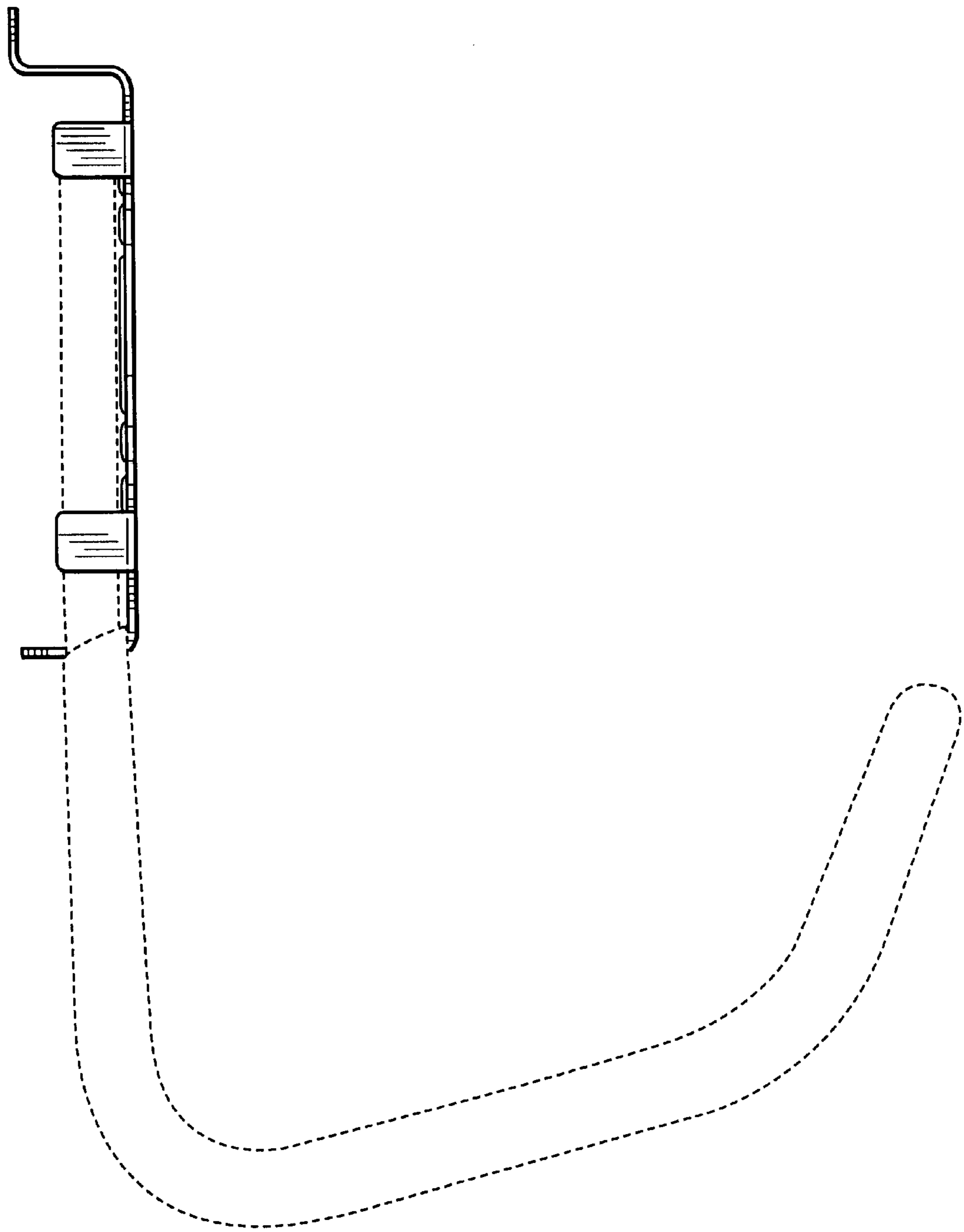




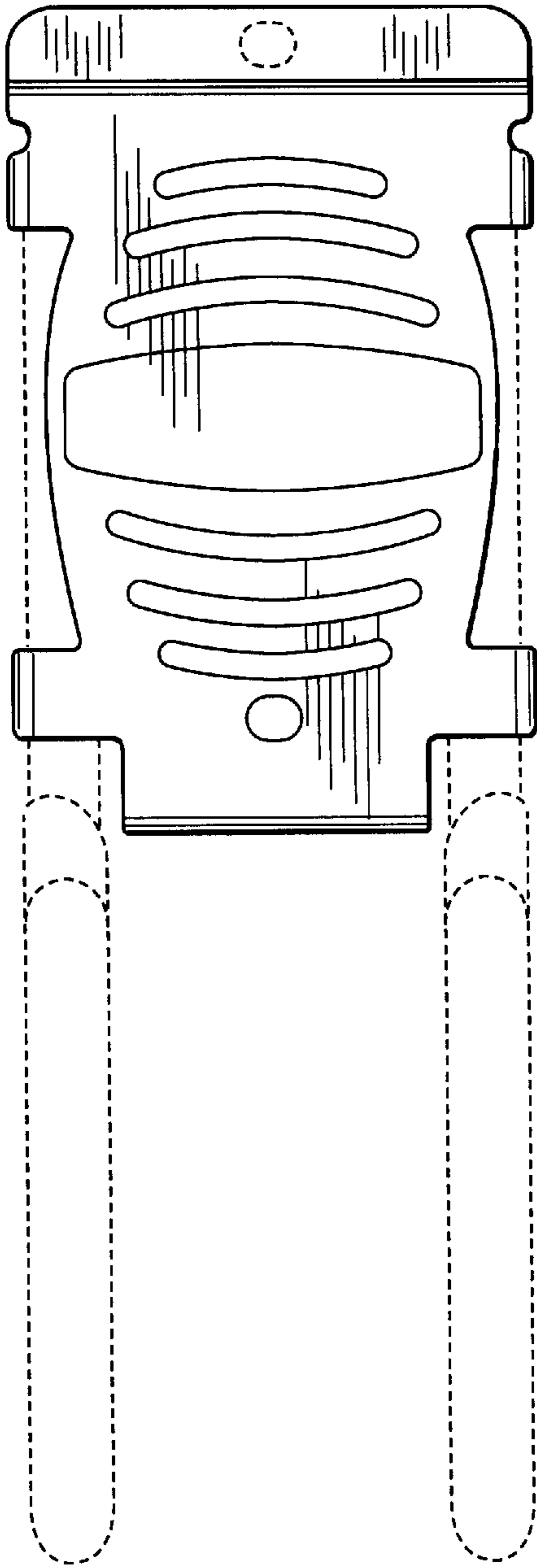
**FIG. 1**



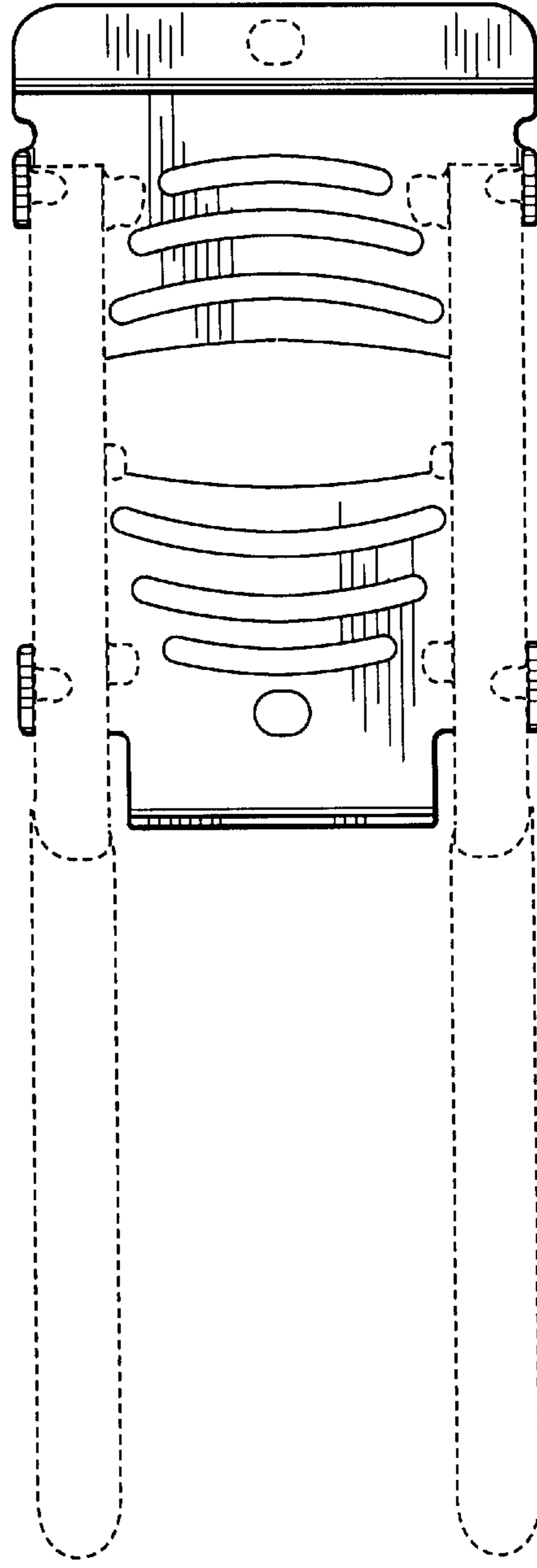
**FIG. 2**



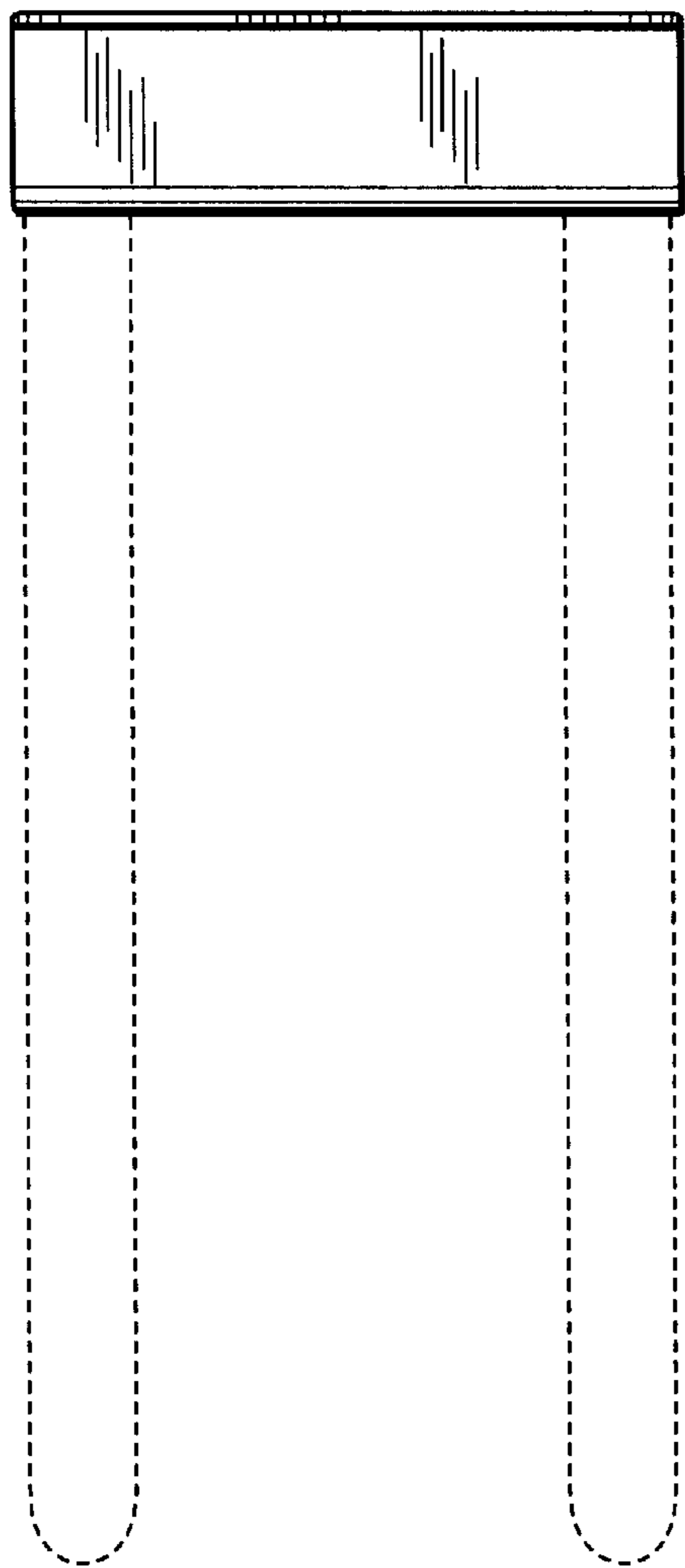
**FIG. 3**



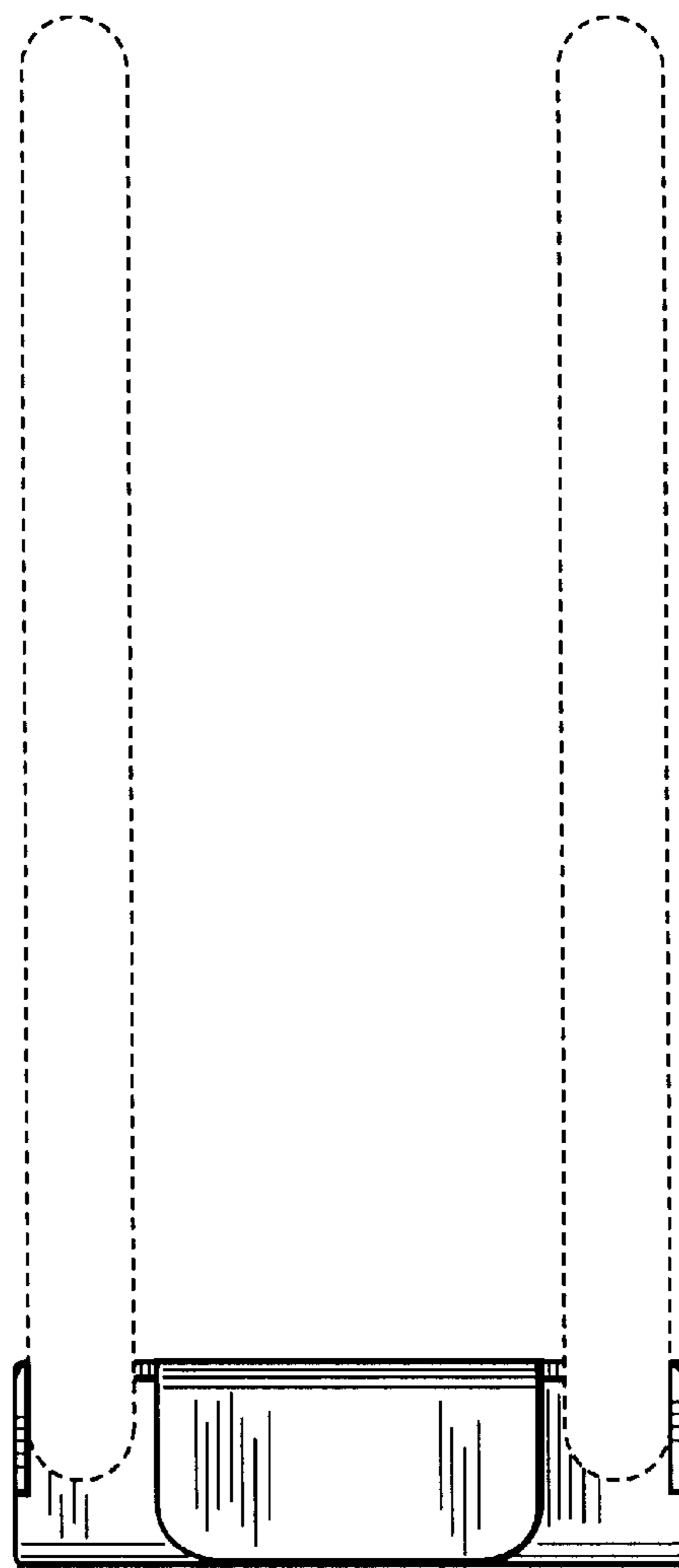
**FIG. 4**



**FIG. 5**



**FIG. 6**



**FIG. 7**