

US00D541138S

(12) **United States Design Patent** (10) **Patent No.:** **US D541,138 S**
Whalen et al. (45) **Date of Patent:** **** Apr. 24, 2007**

(54) **TELEVISION BRACKET**

(75) Inventors: **Kenneth J. Whalen**, San Diego, CA (US); **Paul R. Jones**, San Diego, CA (US)

(73) Assignee: **Whalen Furniture Manufacturing Inc.**, San Deigo, CA (US)

(**) Term: **14 Years**

(21) Appl. No.: **29/227,990**

(22) Filed: **Apr. 18, 2005**

(51) **LOC (8) Cl.** **08-05**

(52) **U.S. Cl.** **D8/354**

(58) **Field of Classification Search** D8/373, D8/354; 248/278.1, 284.1; D14/224, 214
See application file for complete search history.

(56) **References Cited**

U.S. PATENT DOCUMENTS

D261,836 S	*	11/1981	Eisenberg	D6/513
D318,672 S	*	7/1991	Derain	D14/224
5,064,161 A	*	11/1991	Anderson	248/317
5,549,264 A		8/1996	West		
5,797,568 A	*	8/1998	Canton Gongora et al.	248/122.1
6,288,891 B1		9/2001	Hasegawa et al.		
6,347,433 B1		2/2002	Novin et al.		
6,592,090 B1	*	7/2003	Li	248/284.1
6,609,691 B2		8/2003	Oddsens, Jr.		
6,672,560 B1	*	1/2004	Hart	248/638
6,695,270 B1		2/2004	Smed		
6,699,146 B1		3/2004	Winter et al.		
6,704,193 B2		3/2004	Vathulya		
6,758,454 B2		7/2004	Smed		
D495,163 S		8/2004	Weatherly		

2002/0011544 A1	1/2002	Bosson
2004/0011932 A1	1/2004	Duff
2004/0041062 A1	3/2004	Ozolins et al.
2004/0079849 A1	4/2004	Rudolf
2004/0079858 A1	4/2004	Rudolf
2004/0084578 A1	5/2004	Cho et al.
2004/0084579 A1	5/2004	Lee et al.
2004/0113031 A1	6/2004	Sung
2004/0118984 A1	6/2004	Kim et al.
2004/0188573 A1	9/2004	Weatherly
2004/0188574 A1	9/2004	Weatherly et al.
2004/0211870 A1	10/2004	Bremmon et al.
2004/0256524 A1	12/2004	Beck et al.
2005/0041379 A1	2/2005	Jang
2005/0045782 A1	3/2005	Lee et al.

OTHER PUBLICATIONS

Copy of Furniture/Today article entitled SpecialReport, Apr. 28, 2003, pp. 1-2.

Copy of installation instructions of OmniMount Home Entertainment, Mar. 10, 2004, pp. 1-6.

* cited by examiner

Primary Examiner—Holly H. Baynham

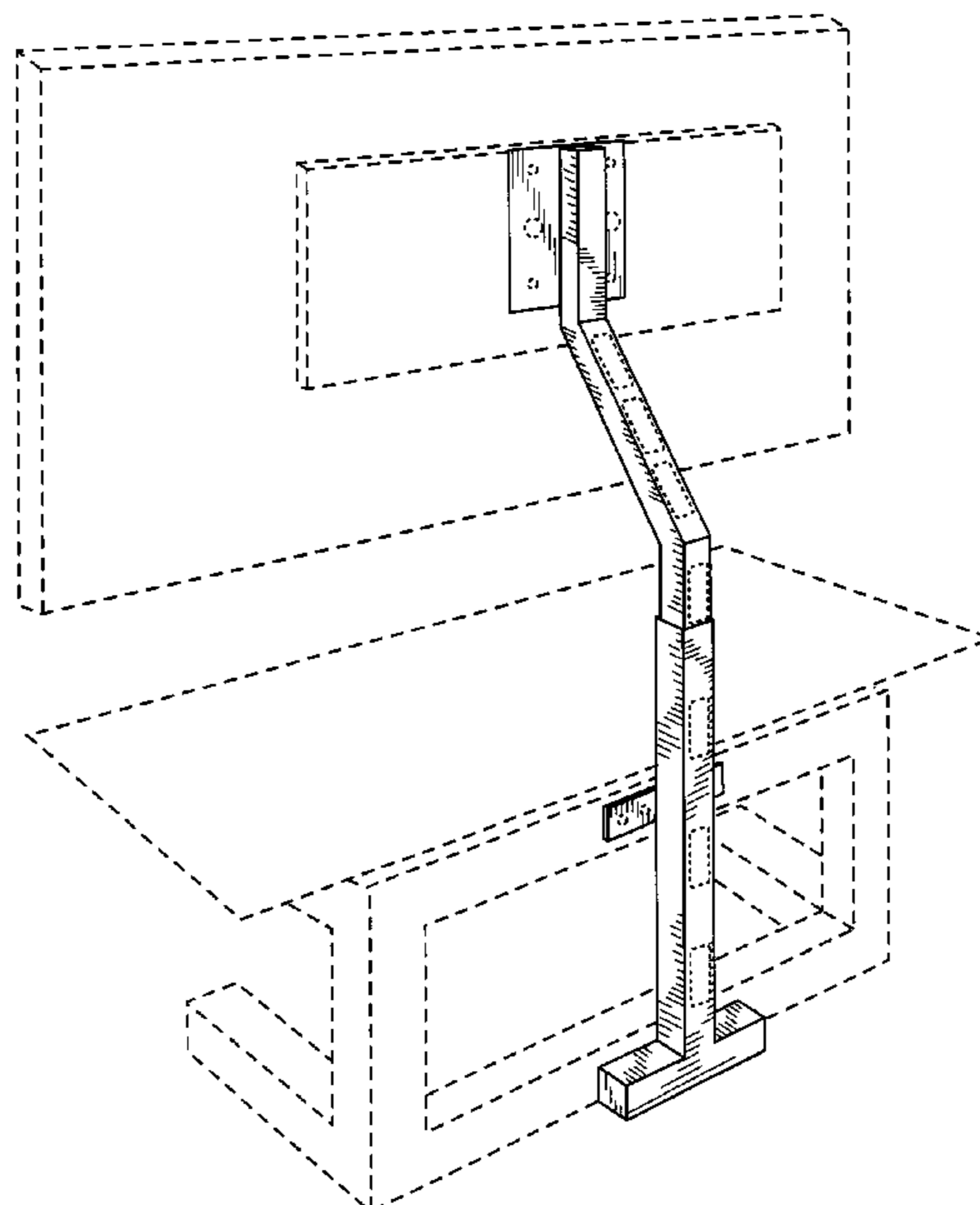
(57) **CLAIM**

The ornamental design for a television bracket, as shown and described.

DESCRIPTION

FIG. 1 is a rear perspective of a television bracket showing our new design; FIG. 2 is a front view thereof; and, FIG. 3 is a side view thereof. The broken line showing is for illustrative purposes only and forms no part of the claimed design.

1 Claim, 2 Drawing Sheets



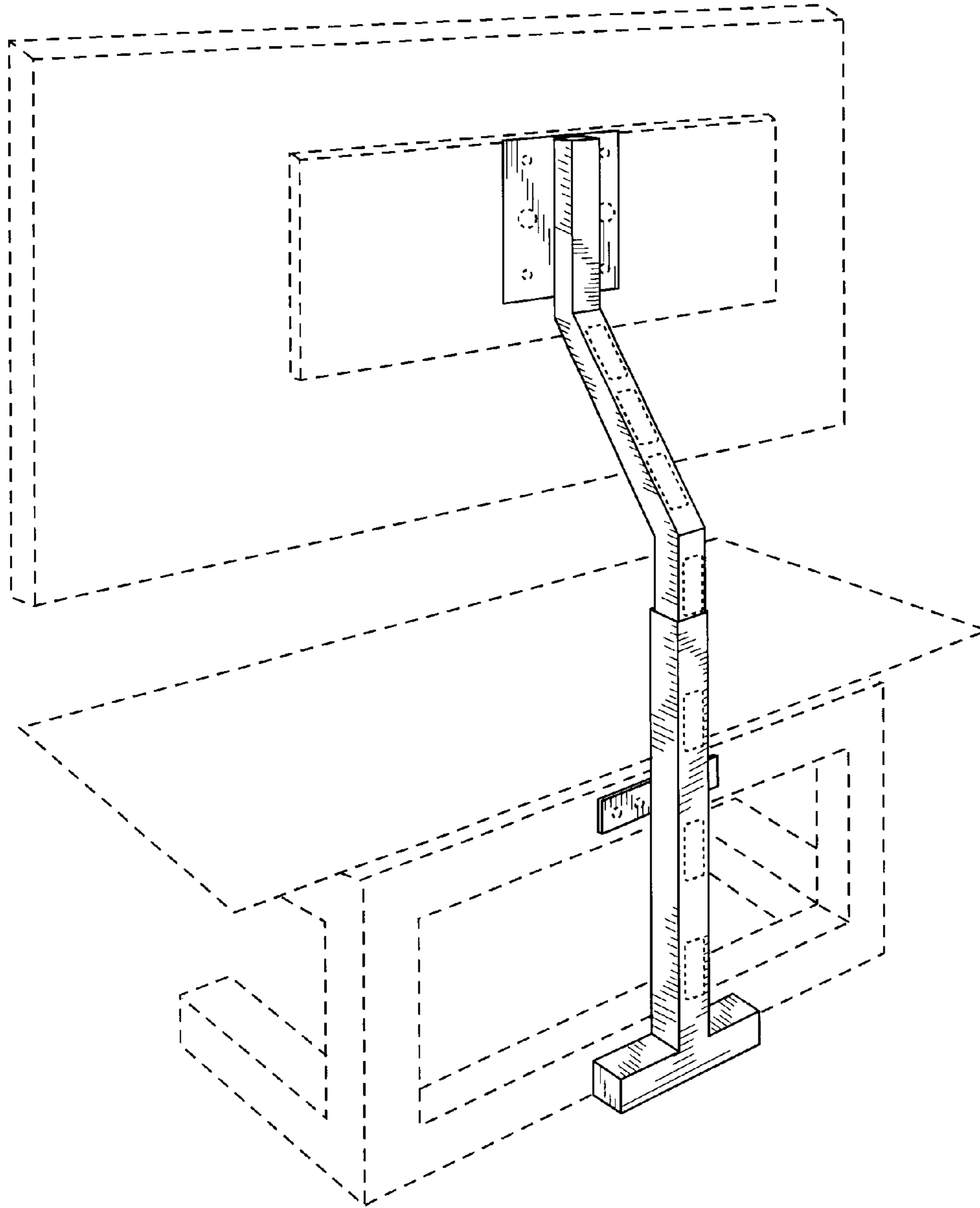


FIG. 1

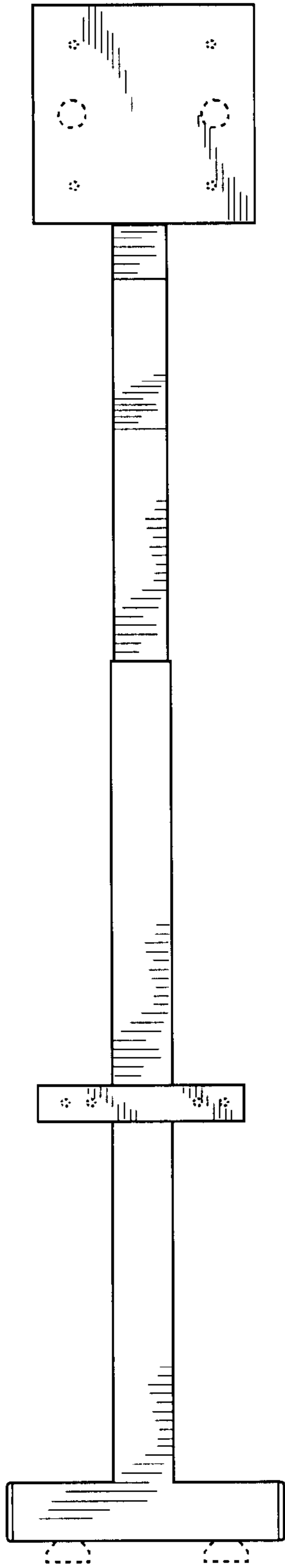


FIG. 2

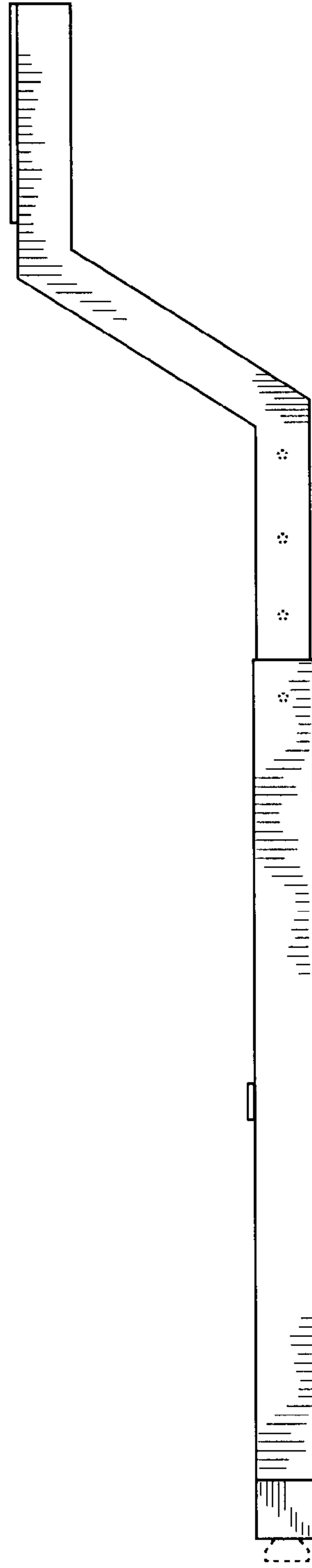


FIG. 3