



US00D541135S

(12) **United States Design Patent**
Kalous et al.

(10) **Patent No.:** **US D541,135 S**

(45) **Date of Patent:** **** Apr. 24, 2007**

(54) **LOCK**

(75) Inventors: **Scott Kalous**, Libertyville, IL (US);
Mike Sheridan, Lake Villa, IL (US);
Paul R. Peot, Mequon, WI (US)

(73) Assignee: **Master Lock Company LLC**, Oak
Creek, WI (US)

(**) Term: **14 Years**

(21) Appl. No.: **29/225,251**

(22) Filed: **Mar. 14, 2005**

(51) **LOC (8) Cl.** **08-07**

(52) **U.S. Cl.** **D8/331**

(58) **Field of Classification Search** D8/330,
D8/331, 339-342, 343; D12/162; 224/519,
224/520; 280/406.2, 433, 415.1, 446.1, 480,
280/500, 504, 507, 511; 70/14, 51, 52, 91,
70/101, 106, 141, 258, 431

See application file for complete search history.

(56) **References Cited**

U.S. PATENT DOCUMENTS

4,032,171 A 6/1977 Allen et al.
5,087,064 A 2/1992 Guhlin
5,794,961 A * 8/1998 Niswanger 280/507

D420,632 S * 2/2000 Bills D12/162
D450,231 S * 11/2001 Niswanger D8/330
6,393,874 B1 5/2002 Zapushek et al.
D459,970 S * 7/2002 Niswanger D8/331
6,412,214 B1 7/2002 Sebastiani
6,722,686 B2 4/2004 Koy
D506,121 S * 6/2005 Falconer et al. D8/331

* cited by examiner

Primary Examiner—Mitchell Siegel

(74) *Attorney, Agent, or Firm*—Calfee, Halter & Griswold

(57) **CLAIM**

The ornamental design for a lock, as shown and described.

DESCRIPTION

FIG. 1 is a perspective view of the lock of the present invention;

FIG. 2 is a back view of the lock shown in FIG. 1;

FIG. 3 is a front view of the lock shown in FIG. 1;

FIG. 4 is a side view of the lock shown in FIG. 1;

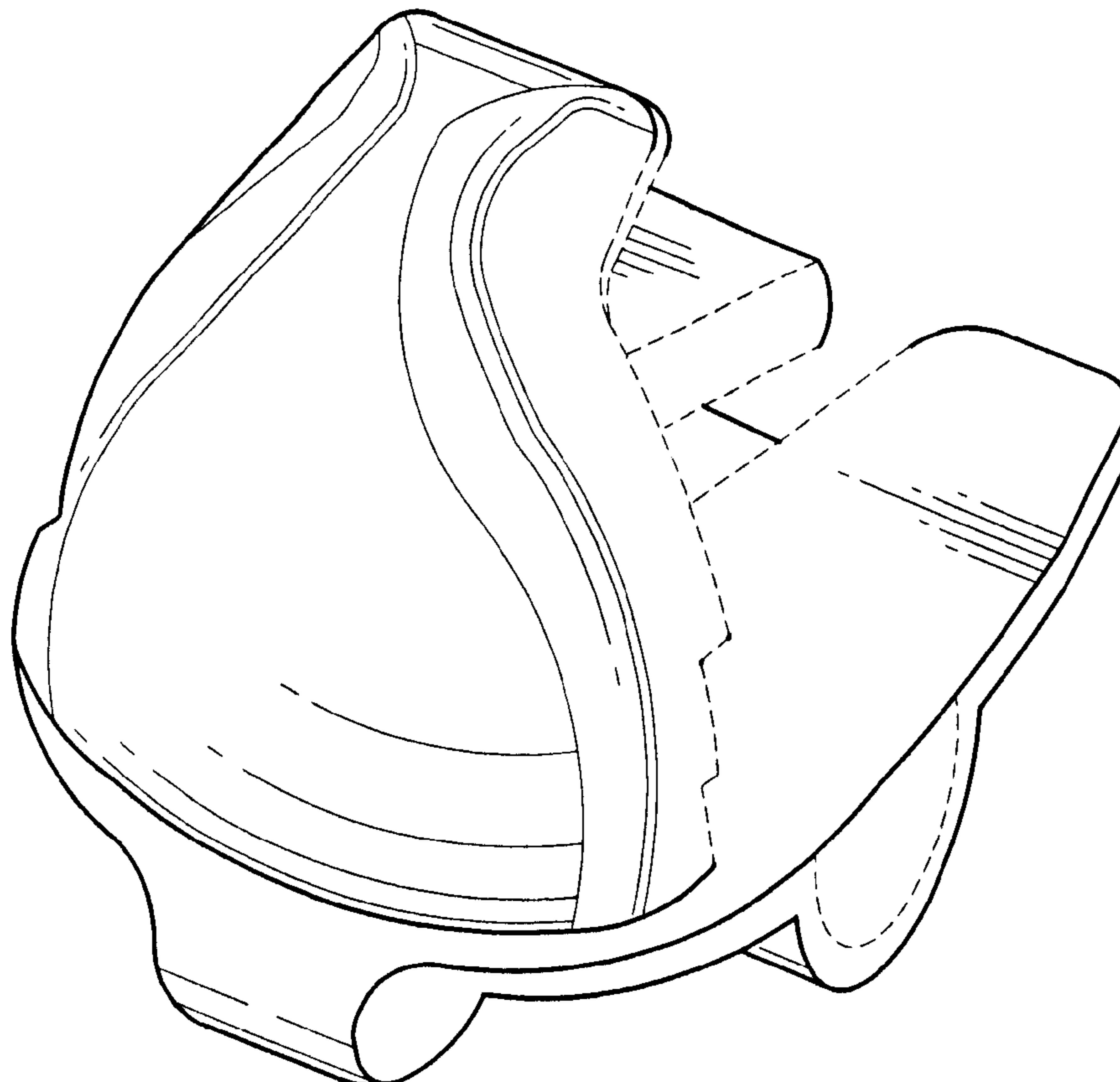
FIG. 5 is a side view of the lock shown in FIG. 1;

FIG. 6 is a top view of the lock shown in FIG. 1; and,

FIG. 7 is a bottom view of the lock shown in FIG. 1.

The portions of the Figures shown in phantom lines are not part of the claimed design but are for illustration only.

1 Claim, 3 Drawing Sheets



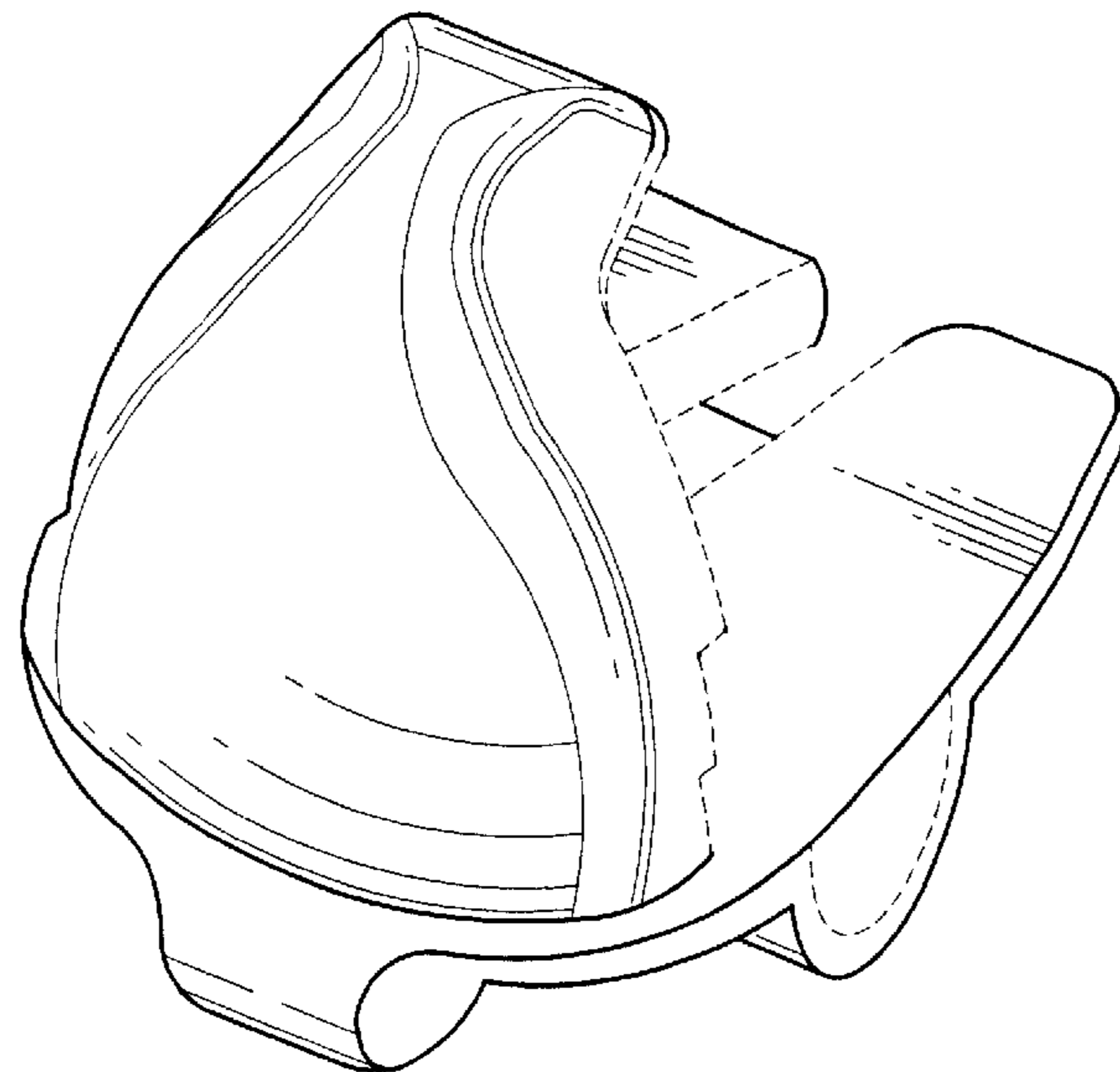


FIG. 1

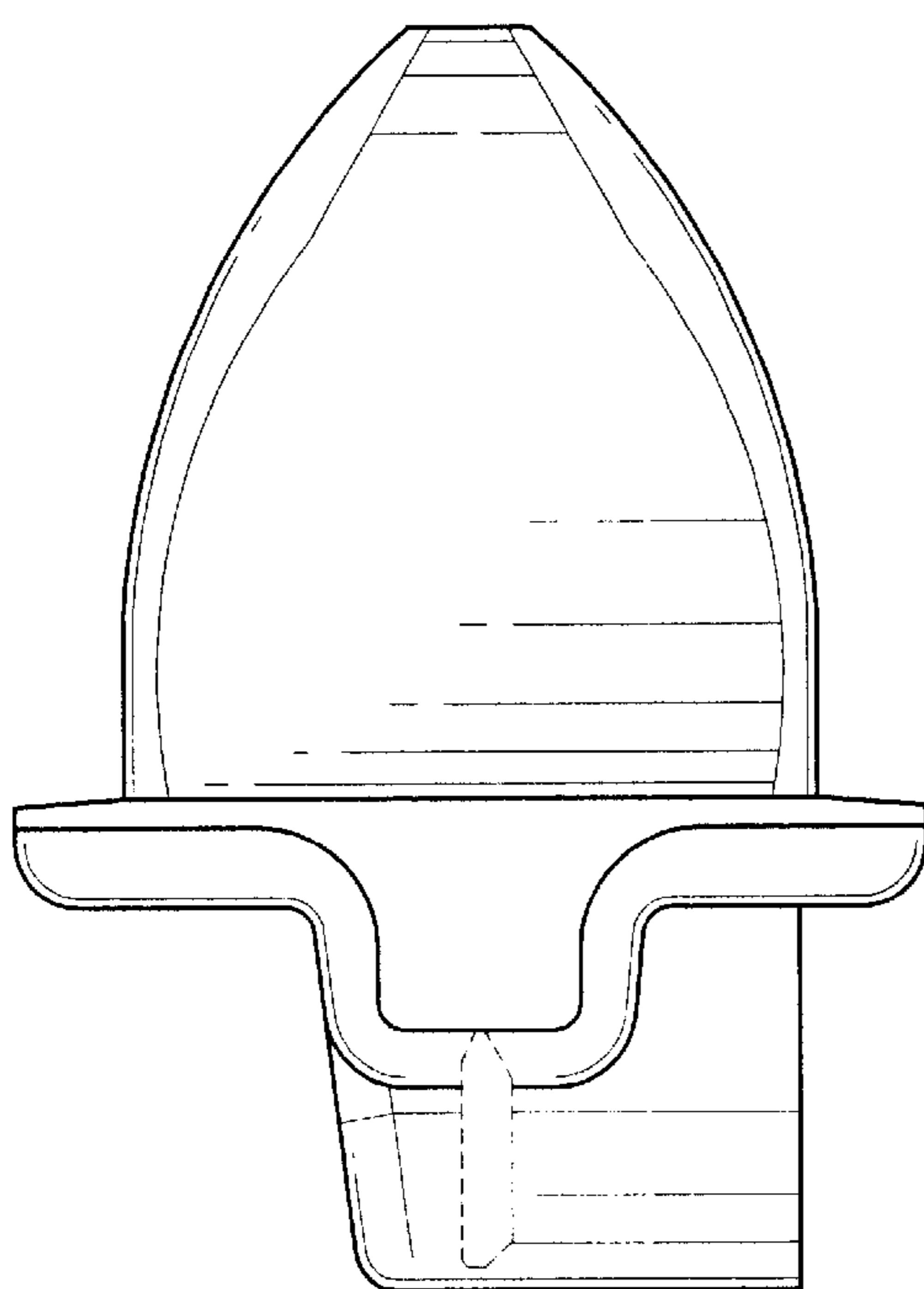


FIG. 2

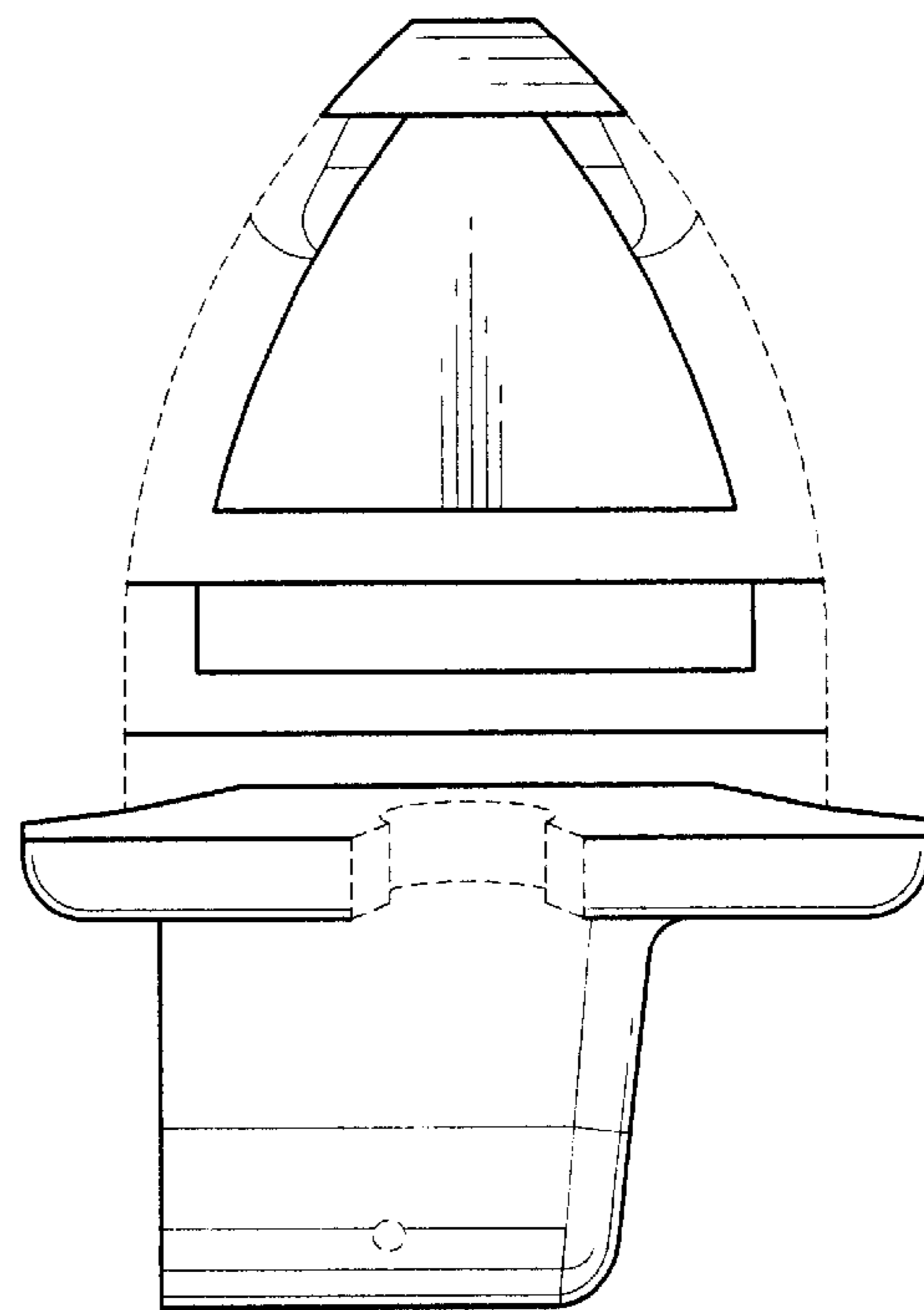


FIG. 3

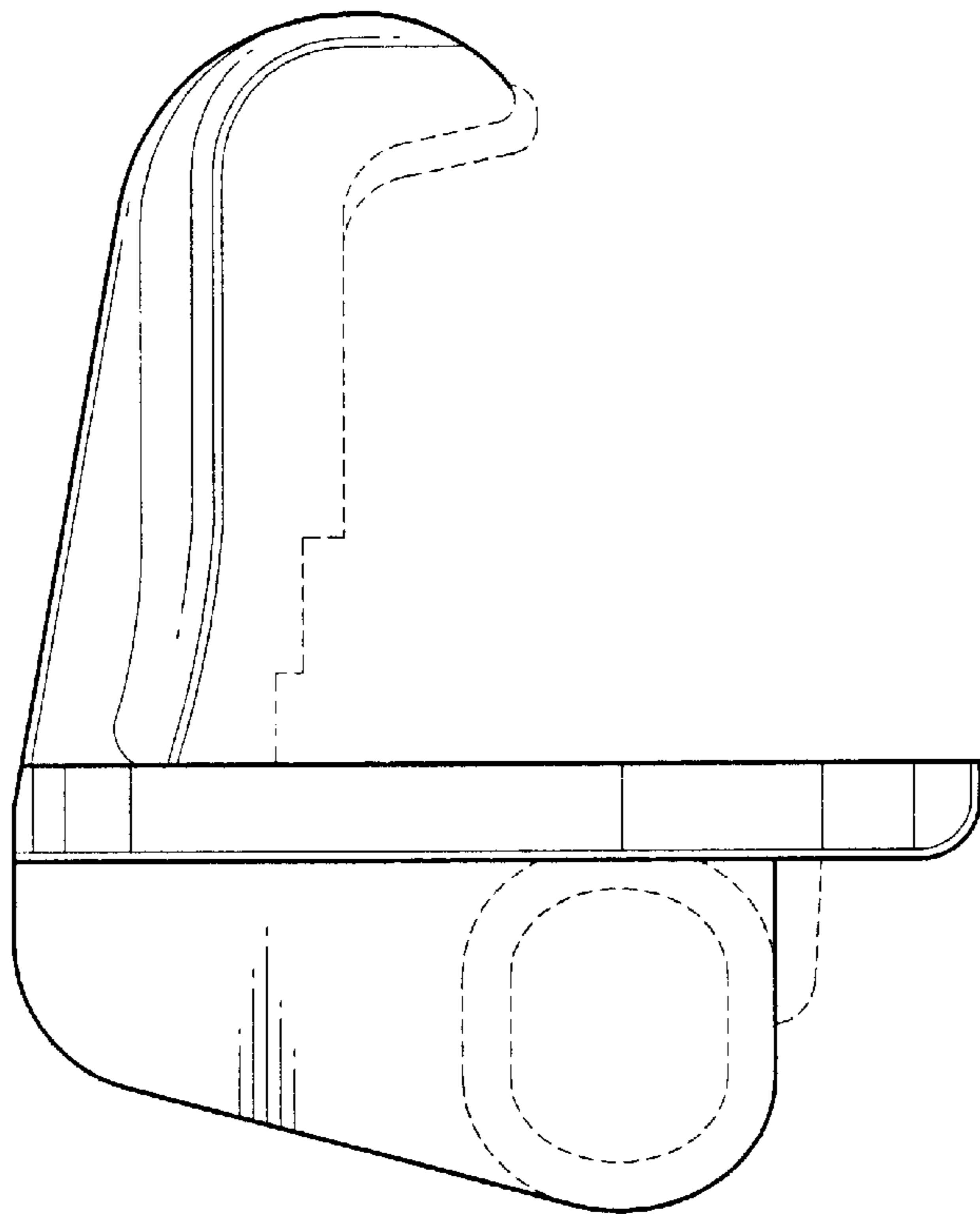


FIG. 4

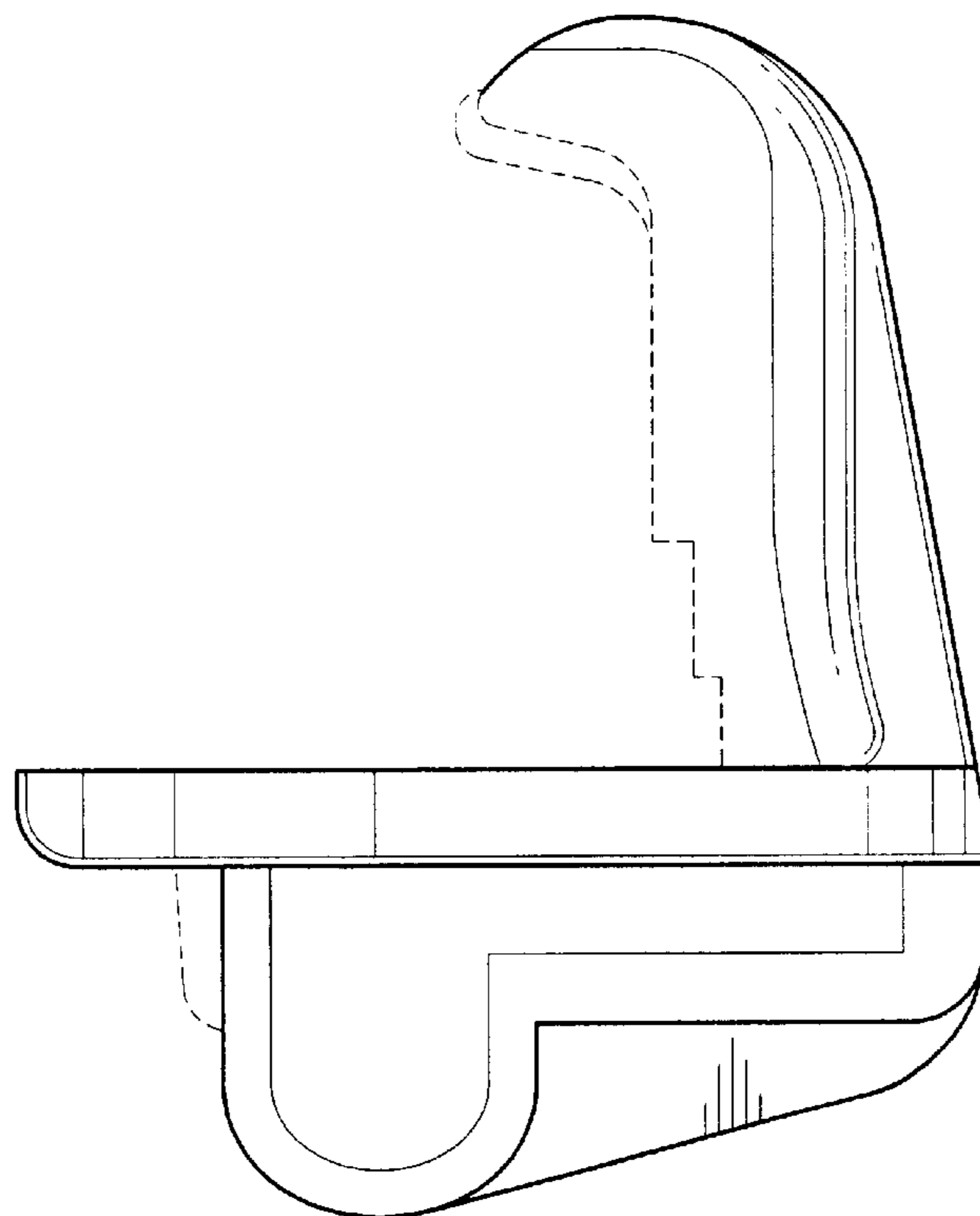


FIG. 5

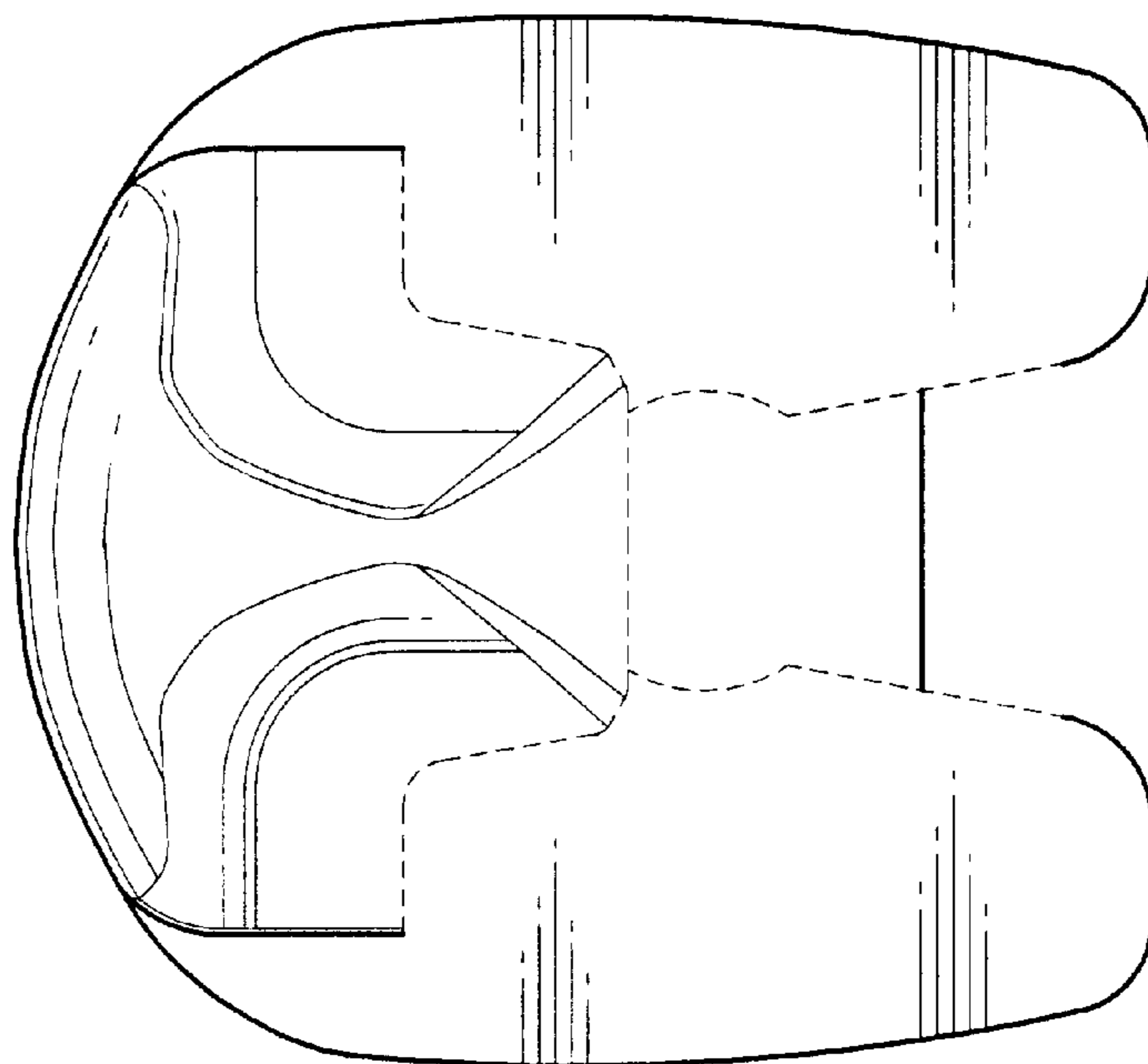


FIG. 6

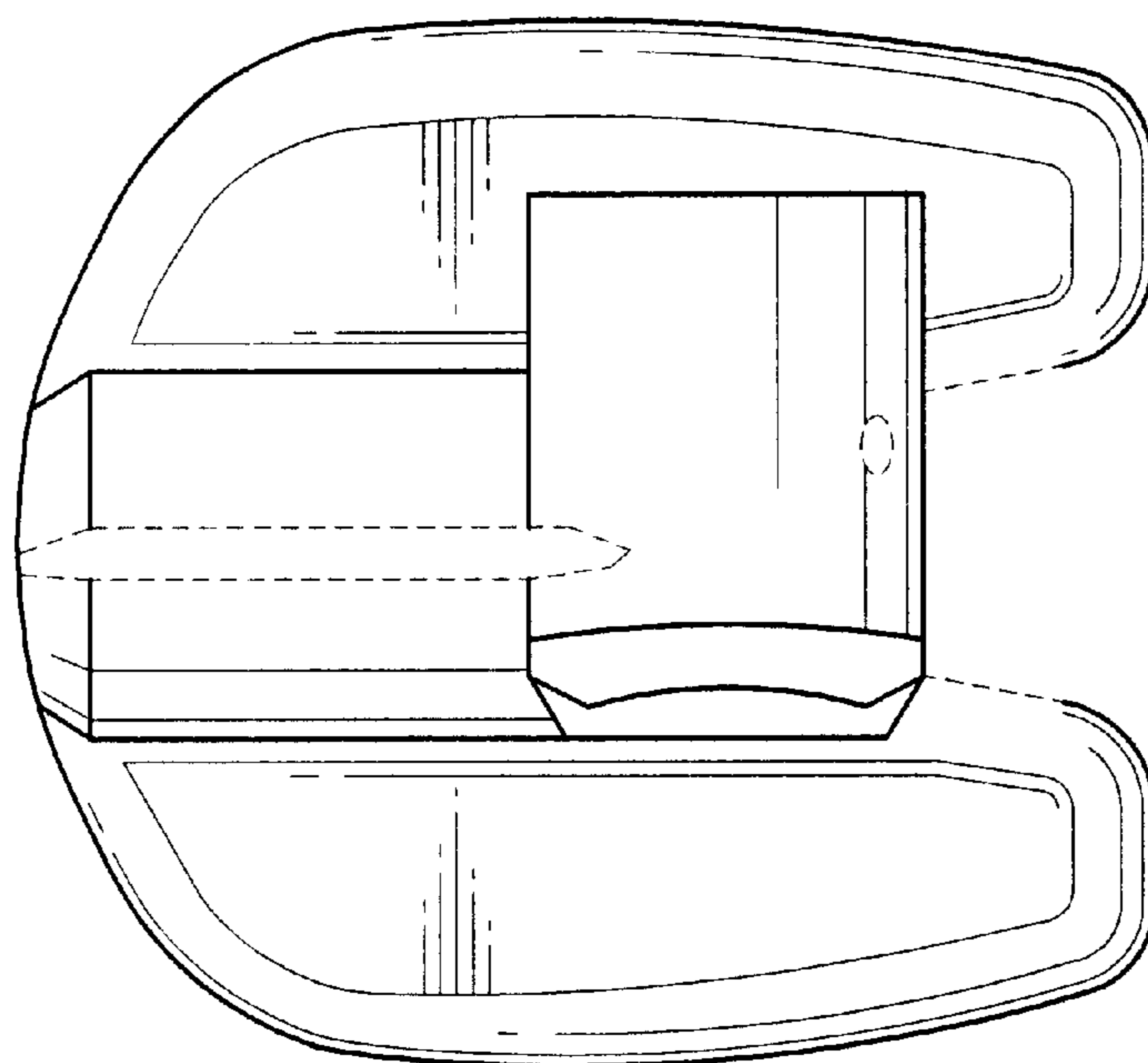


FIG. 7