

US00D541132S

(12) **United States Design Patent**
Huxhold et al.

(10) **Patent No.:** **US D541,132 S**

(45) **Date of Patent:** **** Apr. 24, 2007**

- (54) **HANDLE FOR AN APPLIANCE**
- (75) Inventors: **Heinz-Peter Huxhold**, Furth (DE);
Michael Thonissen, Furth (DE)
- (73) Assignee: **Electrolux Home Products Corporation N.V.**, Zaventem (BE)
- (**) Term: **14 Years**
- (21) Appl. No.: **29/223,290**
- (22) Filed: **Feb. 11, 2005**
- (30) **Foreign Application Priority Data**
Aug. 13, 2004 (DE) 4 04 04 556
- (51) **LOC (8) Cl.** **08-06**
- (52) **U.S. Cl.** **D8/316**
- (58) **Field of Classification Search** D8/300,
D8/302, 305, 307, 310, 315-320; D7/405;
16/110.1, 412, 414-420, 441, 443-446
See application file for complete search history.

- D193,698 S * 9/1962 Hawk D8/316
- D266,122 S * 9/1982 Haug D8/316
- 5,398,374 A * 3/1995 Betancourt 16/110.1
- D370,617 S * 6/1996 Decursu et al. D8/316
- D400,424 S * 11/1998 Lewis et al. D8/316
- D521,804 S * 5/2006 Huxhold et al. D7/405

* cited by examiner

Primary Examiner—Paula A. Greene
(74) *Attorney, Agent, or Firm*—Pearne & Gordon LLP

(57) **CLAIM**

The ornamental design for a handle for an appliance, as shown and described.

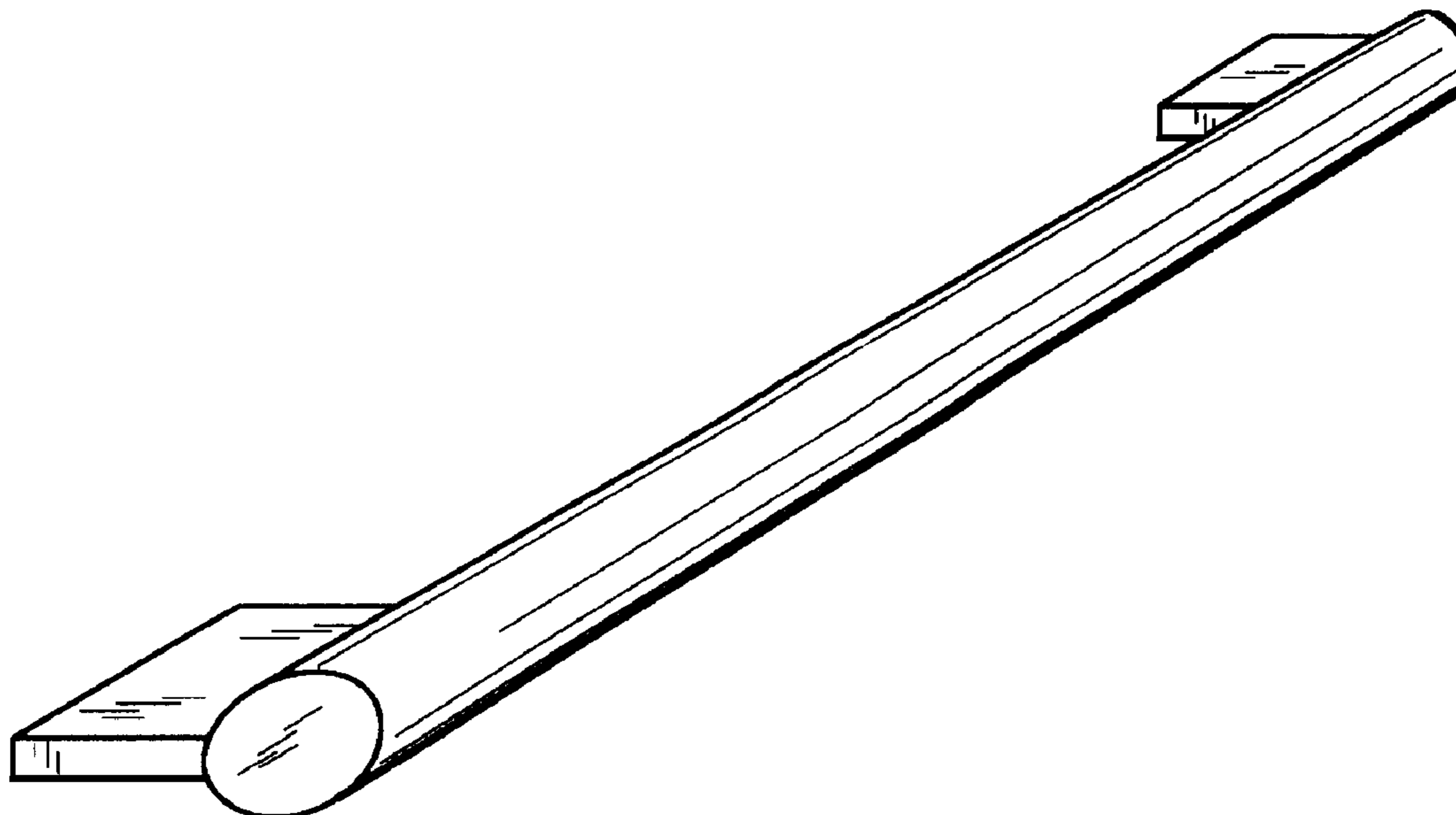
DESCRIPTION

FIG. 1 is a perspective view of our new design for a handle for an appliance; and,

FIG. 2 is a bottom view thereof.

- (56) **References Cited**
U.S. PATENT DOCUMENTS
D190,266 S * 5/1961 Watt D8/316

1 Claim, 1 Drawing Sheet



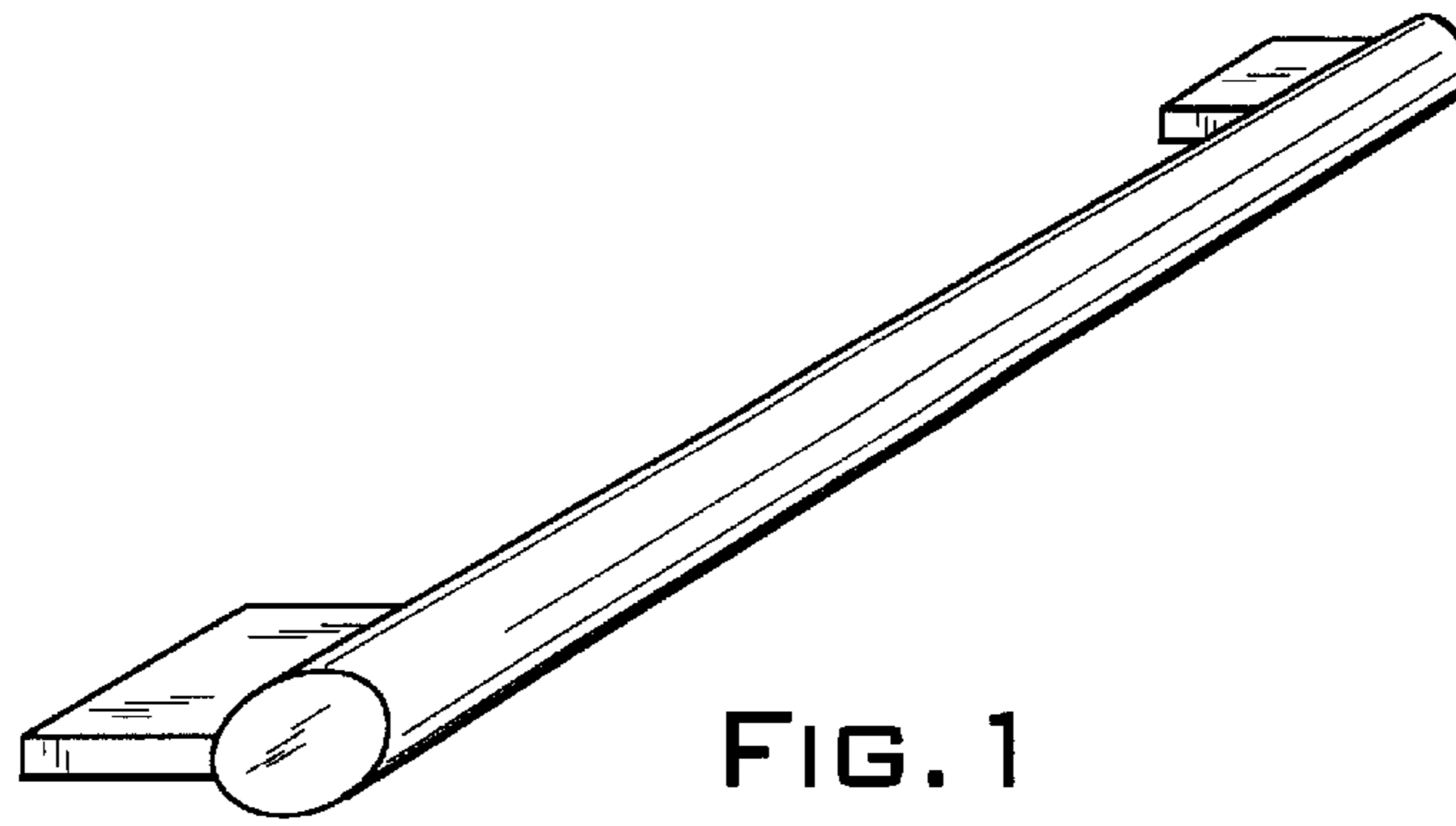


FIG. 1

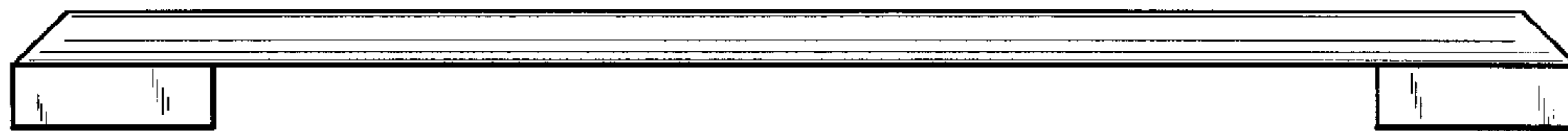


FIG. 2

UNITED STATES PATENT AND TRADEMARK OFFICE
CERTIFICATE OF CORRECTION

PATENT NO. : Des. 541,132 S
APPLICATION NO. : 29/223290
DATED : April 24, 2007
INVENTOR(S) : Heinz-Peter Huxhold et al.

Page 1 of 1

It is certified that error appears in the above-identified patent and that said Letters Patent is hereby corrected as shown below:

On the title page item (75) Inventors: Change "Michael Thonissen" to --Michael Thoenissan--

Signed and Sealed this

Seventh Day of August, 2007

A handwritten signature in black ink on a dotted background. The signature reads "Jon W. Dudas" in a cursive style.

JON W. DUDAS

Director of the United States Patent and Trademark Office