

US00D541131S

(12) **United States Design Patent** (10) **Patent No.:** **US D541,131 S**  
**Ricereto et al.** (45) **Date of Patent:** **\*\* Apr. 24, 2007**

(54) **KNOB**  
(75) Inventors: **Michael Hart Ricereto**, Baltimore, MD (US); **Steven Lord**, Mount Penn, PA (US)  
(73) Assignee: **Newell Operating Company**, Atlanta, GA (US)  
(\*\*) Term: **14 Years**  
(21) Appl. No.: **29/258,511**  
(22) Filed: **Apr. 21, 2006**  
(51) **LOC (8) Cl.** ..... **08-06**  
(52) **U.S. Cl.** ..... **D8/310**  
(58) **Field of Classification Search** ..... D8/300, D8/305, 308, 307, 310, 311, 312, DIG. 2; D6/578, 580; D23/250-252; 16/110.1, 412, 16/414, 415, 417, 441; 292/347  
See application file for complete search history.

D305,863 S 2/1990 Gresens et al.  
D312,381 S 11/1990 Clayton  
D326,219 S 5/1992 Clayton  
D326,990 S 6/1992 Bishop  
D326,991 S 6/1992 Bishop  
D326,992 S 6/1992 Clayton  
D326,993 S 6/1992 Clayton  
D326,994 S 6/1992 Bishop  
D326,997 S 6/1992 Clayton  
D327,407 S 6/1992 Clayton  
D327,420 S 6/1992 Bishop  
D355,834 S 2/1995 Chieda  
D355,835 S 2/1995 Chieda  
D355,837 S 2/1995 Chieda  
D355,838 S 2/1995 Chieda  
D355,839 S 2/1995 Chieda  
D356,724 S 3/1995 Chieda  
D357,168 S 4/1995 Chieda  
D361,491 S 8/1995 Chieda  
D361,492 S 8/1995 Chieda  
D361,493 S 8/1995 Chieda  
D361,496 S 8/1995 Chieda  
D361,498 S 8/1995 Chieda  
D361,707 S 8/1995 Chieda  
D366,998 S 2/1996 Hollingsworth

(56) **References Cited**

U.S. PATENT DOCUMENTS

D22,755 S \* 8/1893 Russell ..... D8/305  
D47,069 S \* 3/1915 Burns ..... D8/307  
D67,474 S \* 6/1925 Rosenthal ..... D8/312  
D115,537 S \* 7/1939 Bahr ..... D8/312  
D232,621 S \* 9/1974 Zagaroll ..... D8/310  
D267,187 S \* 12/1982 Ronvik ..... D23/250  
D267,774 S 2/1983 Pittenger  
D267,926 S 2/1983 Pittenger  
D268,246 S 3/1983 Tegner  
D270,993 S 10/1983 Tegner  
D270,994 S 10/1983 Tegner  
D271,464 S 11/1983 Carlson  
D272,800 S 2/1984 Pawlow  
D274,035 S 5/1984 Pawlow  
D274,123 S 6/1984 Tegner  
D284,737 S 7/1986 Clayton  
D295,827 S 5/1988 Benjamin  
D296,073 S 6/1988 Rhoades  
D297,211 S 8/1988 Rhoades  
D300,505 S 4/1989 Palm, Jr. et al.  
D305,862 S 2/1990 Clayton

(Continued)

*Primary Examiner*—Paula A. Greene  
(74) *Attorney, Agent, or Firm*—Banner & Witcoff, Ltd.

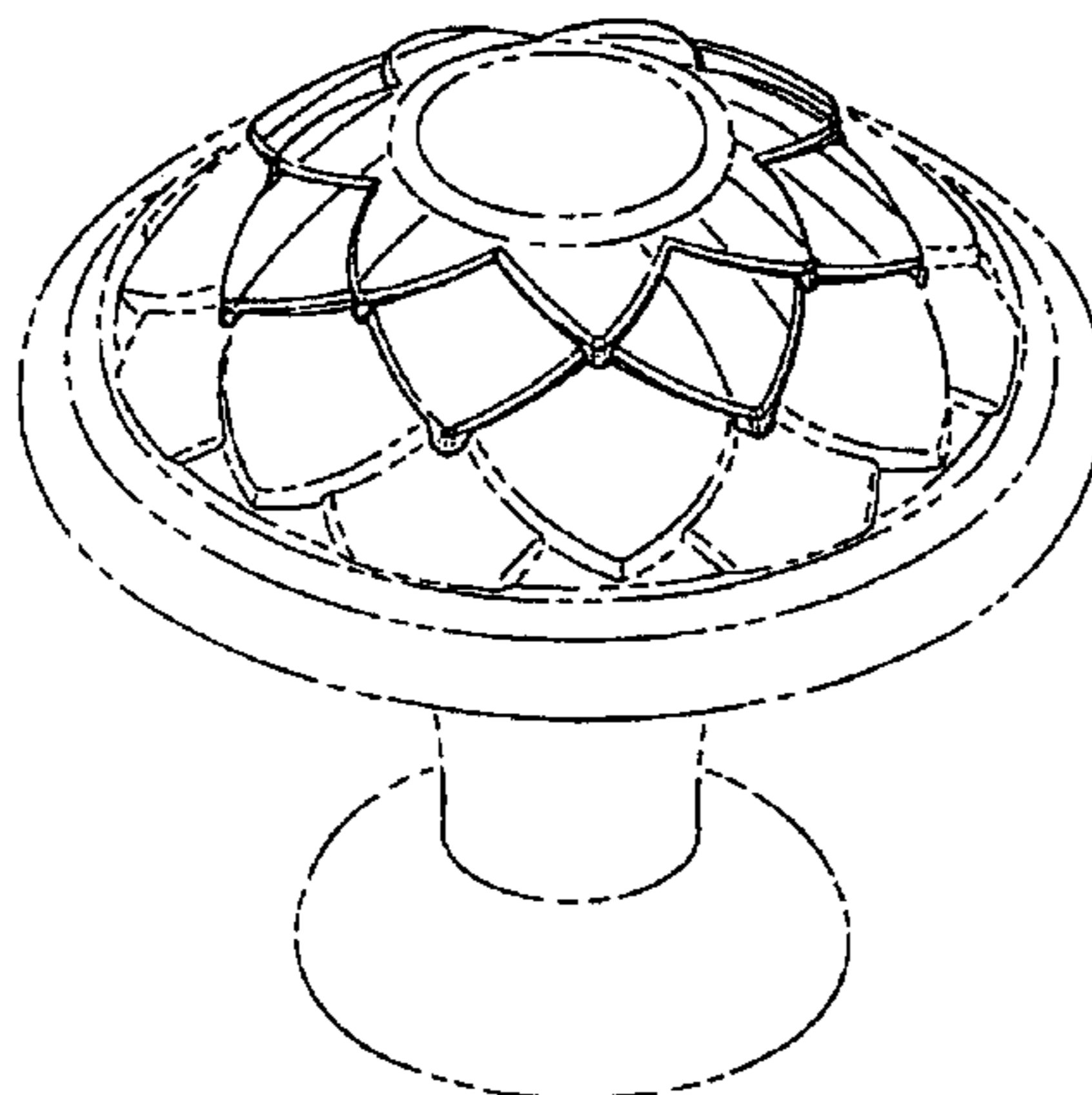
(57) **CLAIM**

We claim the ornamental design for a knob, as shown and described.

**DESCRIPTION**

FIG. 1 is a perspective view of the knob of the present claimed invention;  
FIG. 2 is a top plan view of the knob of FIG. 1;  
FIG. 3 is a front view of the knob of FIG. 1;  
FIG. 4 is a side view of the knob of FIG. 1, the opposite side being a mirror image thereto; and,  
FIG. 5 is a rear view of the knob of FIG. 1.  
The broken lines are included for the purpose of illustration and form no part of the claimed design.

**1 Claim, 2 Drawing Sheets**



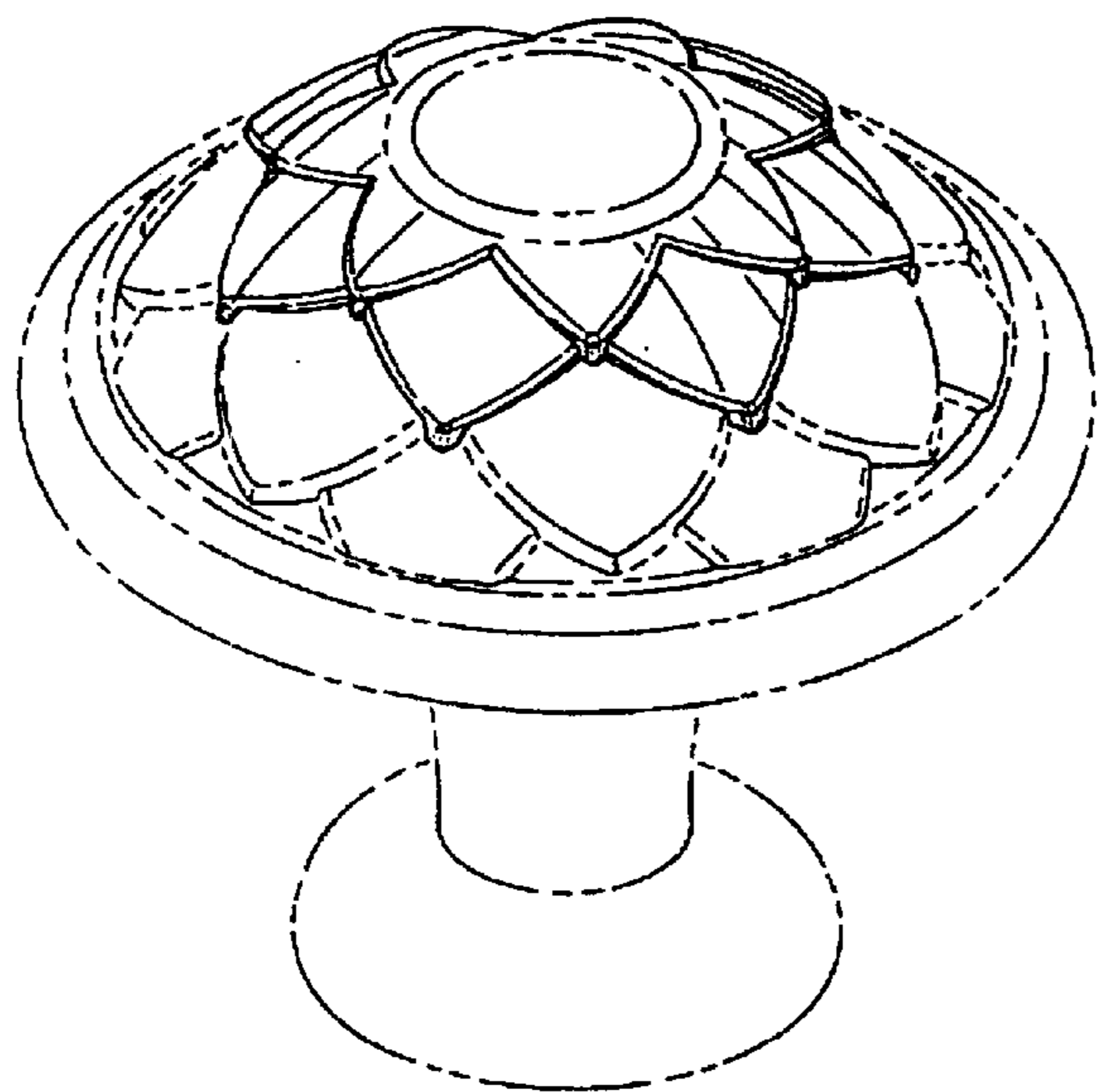
# US D541,131 S

Page 2

---

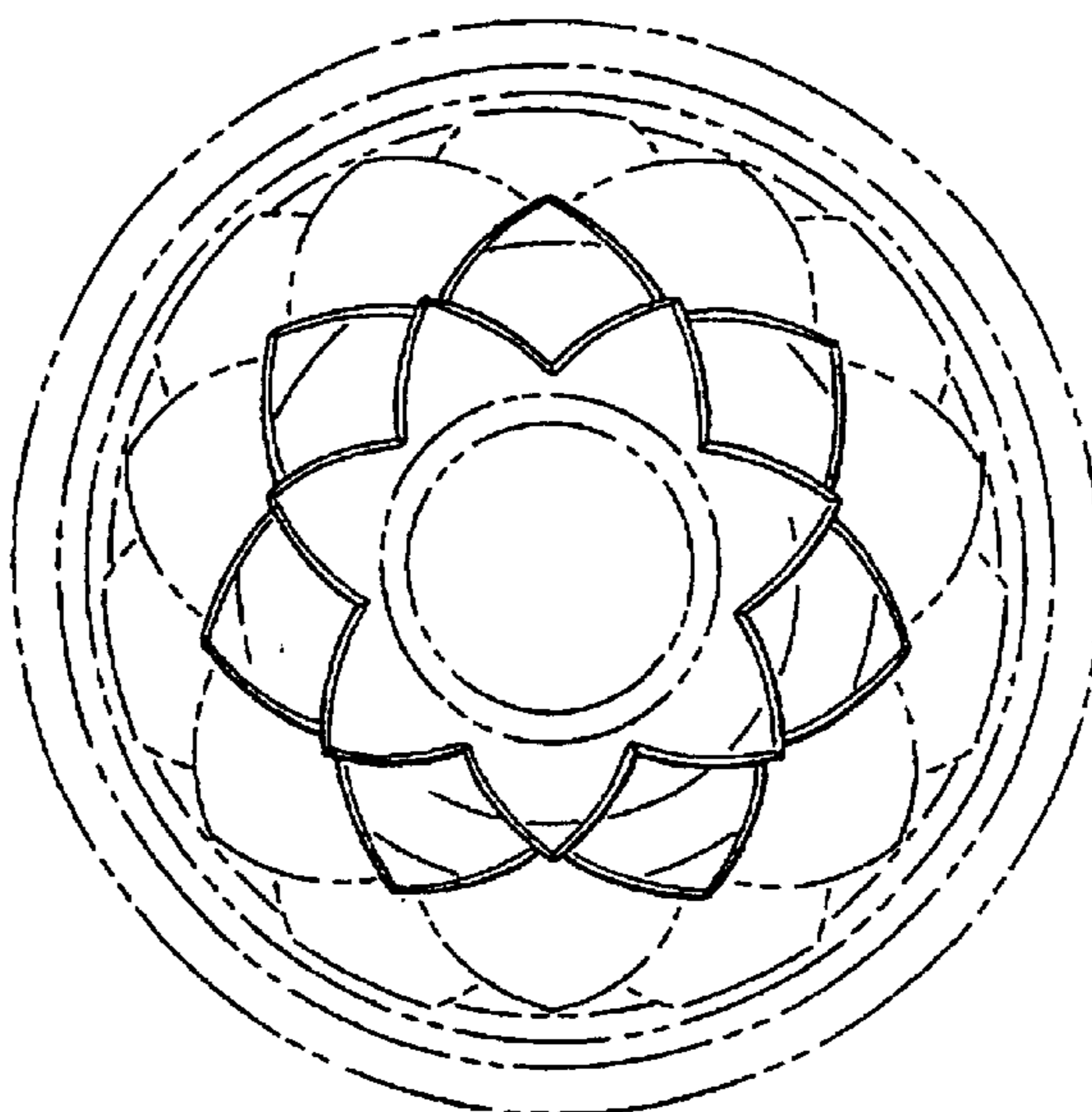
U.S. PATENT DOCUMENTS					
			D401,834 S	12/1998	Burns et al.
			D401,835 S	12/1998	Burns et al.
D367,217 S	2/1996	Hollingsworth-Ainscough	D403,571 S	1/1999	Burns et al.
D367,417 S	2/1996	Ainscough	D406,745 S	3/1999	Burns et al.
D368,014 S	3/1996	Ainscough	D411,728 S	6/1999	O'Neil
D368,638 S	4/1996	Sonnenleiter	D411,793 S	7/1999	O'Neil
D368,639 S	4/1996	Chieda	D411,794 S	7/1999	O'Neil
D368,640 S	4/1996	Sonnenleiter	D411,795 S	7/1999	O'Neil
D368,642 S	4/1996	Chieda	D413,248 S	8/1999	O'Neil
D368,643 S	4/1996	Sonnenleiter	D414,100 S	9/1999	O'Neil
D368,644 S	4/1996	Bishop	D415,405 S	10/1999	O'Neil
D368,842 S	4/1996	Sonnenleiter	D416,465 S	11/1999	O'Neil
D370,613 S	6/1996	Ainscough	D418,387 S	1/2000	O'Neil
D370,614 S	6/1996	Ainscough	D418,388 S	1/2000	O'Neil
D371,062 S	6/1996	Ainscough	D418,389 S	1/2000	O'Neil
D372,414 S	8/1996	De'Armond	D429,455 S	8/2000	Burns et al.
D372,657 S	8/1996	De'Armond	D429,991 S	8/2000	Short
D372,659 S	8/1996	De'Armond	D431,442 S	10/2000	Short
D373,065 S	8/1996	De'Armond	D431,444 S	10/2000	Short
D373,066 S	8/1996	De'Armond	D431,445 S	10/2000	Short
D373,067 S	8/1996	De'Armond	D431,996 S	10/2000	Short
D374,390 S	10/1996	De'Armond	D434,633 S	12/2000	Short
D377,655 S	1/1997	Smith	D434,962 S	12/2000	Short
D377,747 S	2/1997	De'Armond	D434,963 S	12/2000	Short
D381,252 S	7/1997	Chieda	D435,424 S	12/2000	Short
D386,667 S	11/1997	Smith	D435,426 S	12/2000	Short
D396,179 S	7/1998	Burns et al.	D437,202 S	2/2001	O'Neil
D396,180 S	7/1998	Burns et al.	D442,462 S	* 5/2001	Dewald et al. .... D8/310
D399,117 S	10/1998	Burns et al.	D526,883 S	* 8/2006	Gilbert ..... D8/312
D399,407 S	10/1998	Burns et al.			
D399,723 S	10/1998	Burns et al.			

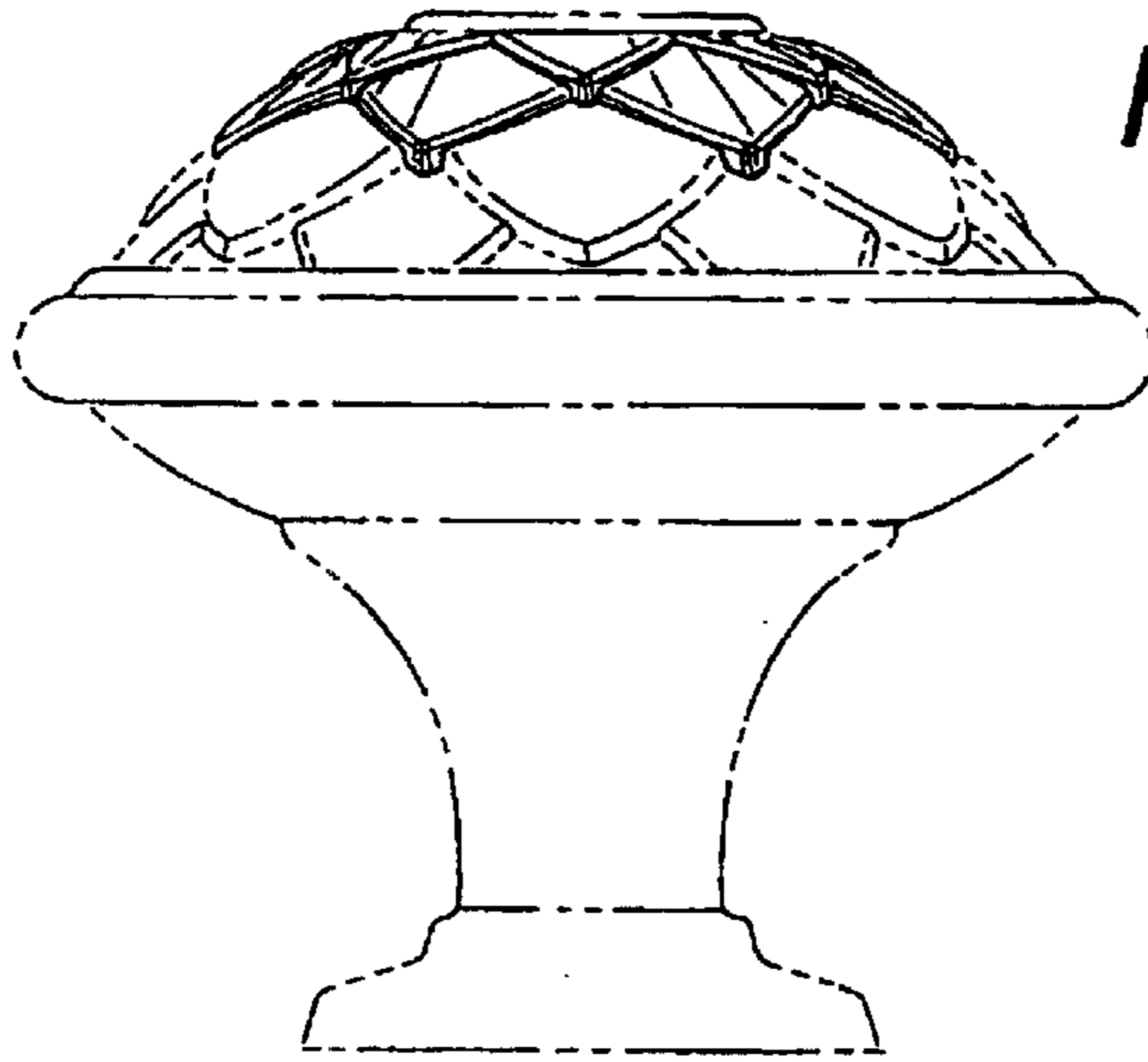
\* cited by examiner



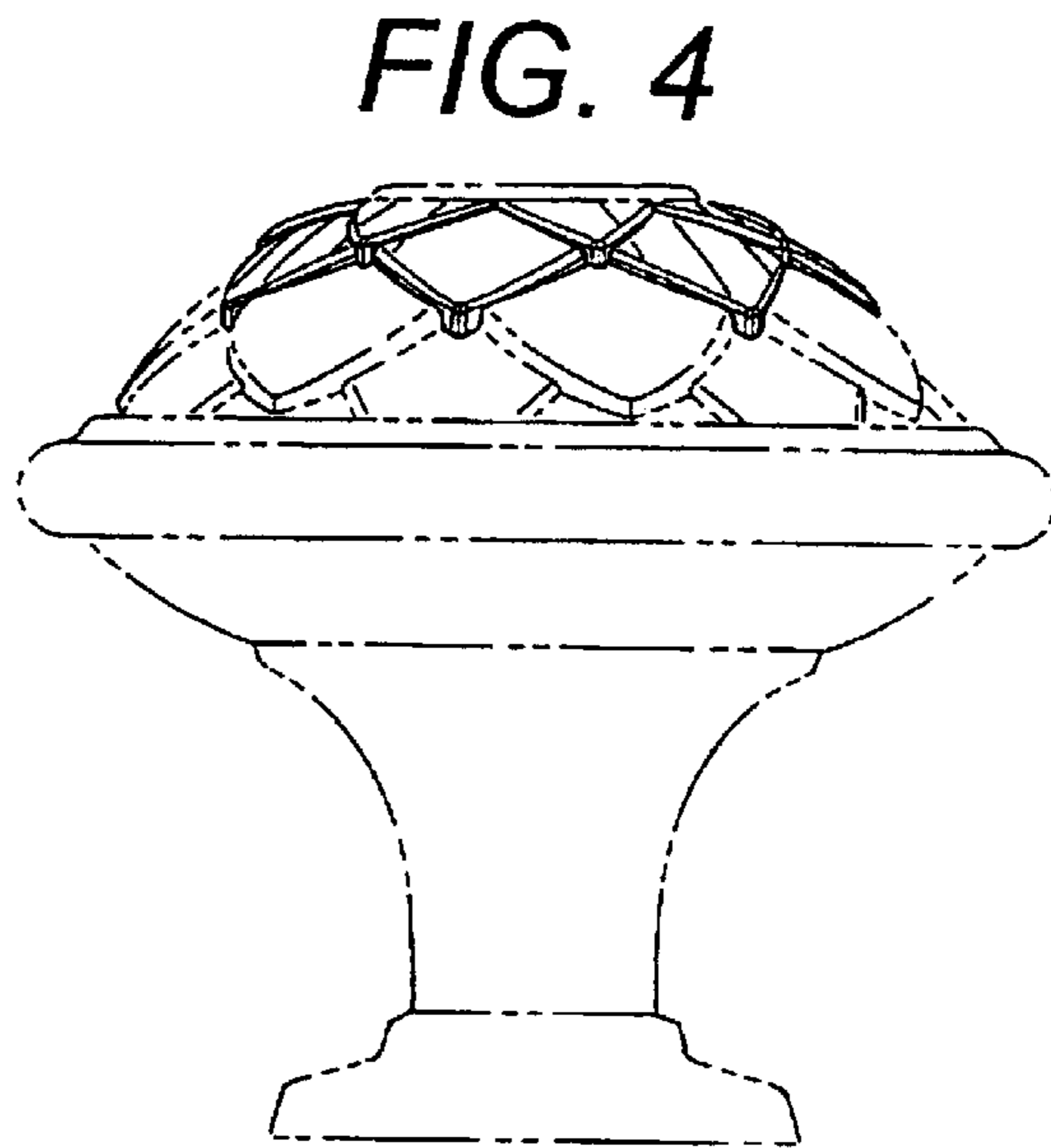
*FIG. 1*

*FIG. 2*

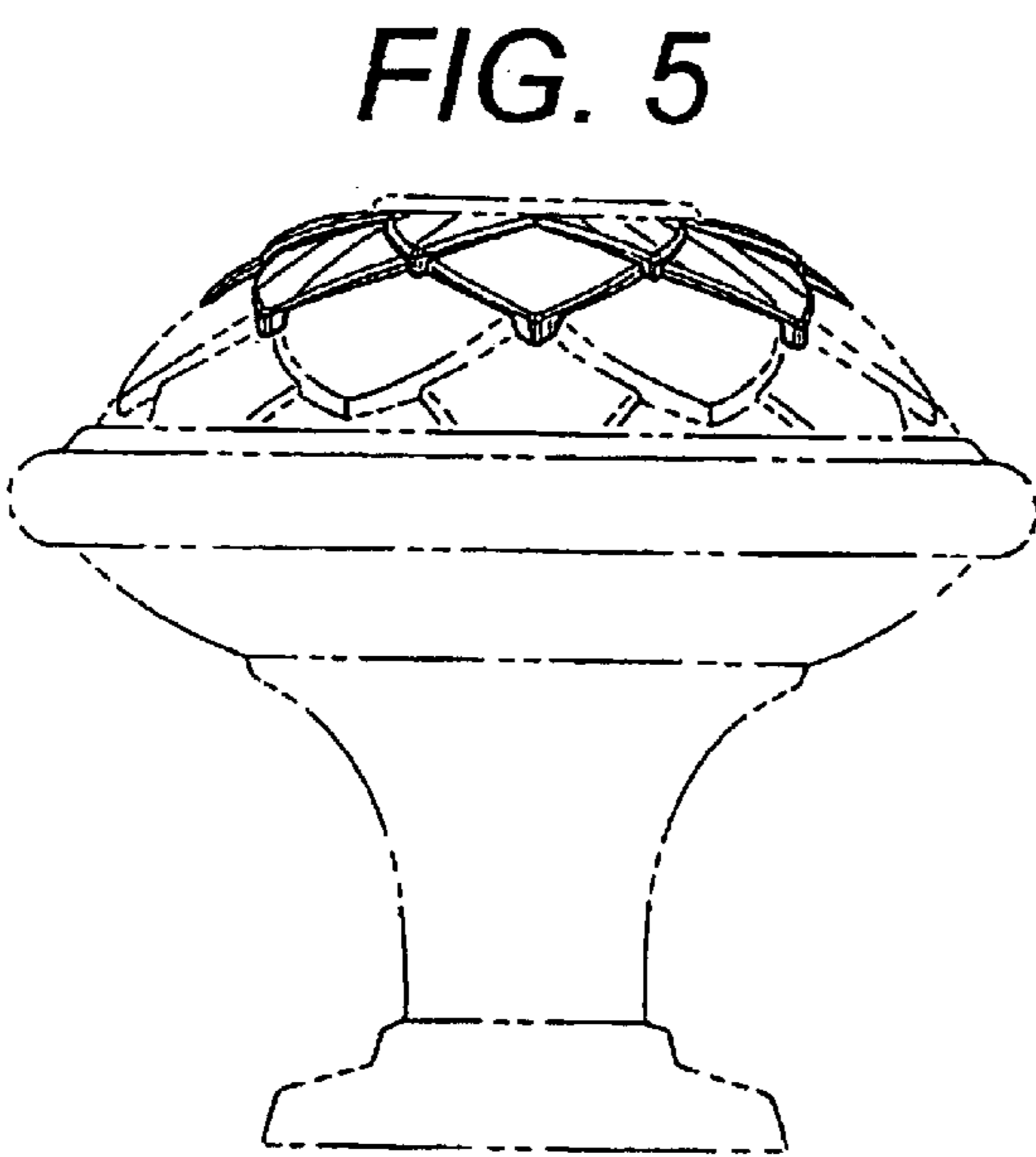




**FIG. 3**



**FIG. 4**



**FIG. 5**