



US00D541127S

(12) **United States Design Patent**
Yang

(10) **Patent No.:** **US D541,127 S**

(45) **Date of Patent:** **** Apr. 24, 2007**

(54) **TILE CUTTER**

(76) **Inventor:** **Te-Chuan Yang**, No. 528, Tung Kuang Yuan Rd., East District, Taichung City, 401 (TW)

(**) **Term:** **14 Years**

(21) **Appl. No.:** **29/241,420**

(22) **Filed:** **Oct. 27, 2005**

(51) **LOC (8) Cl.** **08-03**

(52) **U.S. Cl.** **D8/98; D8/51**

(58) **Field of Classification Search** D8/98,
D8/51, 14; D15/127; 125/12, 35, 96.5, 23.02;
83/614, 886, 881

See application file for complete search history.

(56) **References Cited**

U.S. PATENT DOCUMENTS

D291,578 S	*	8/1987	Hepworth	D15/127
5,169,045 A	*	12/1992	Liu	225/96.5
D359,435 S	*	6/1995	Joecker, Jr.	D8/98
5,560,274 A	*	10/1996	Turner	83/886
5,626,124 A	*	5/1997	Chen	125/23.02
6,047,871 A	*	4/2000	Chen	225/96.5
6,053,159 A	*	4/2000	Liu	125/23.02
6,164,272 A	*	12/2000	Fouy	125/12
6,223,736 B1	*	5/2001	Yasuga	125/23.02

6,240,914 B1	*	6/2001	Yasuga	125/23.02
D476,213 S	*	6/2003	Hepworth	D8/98
6,708,686 B2	*	3/2004	Hepworth	125/23.02
6,953,036 B2	*	10/2005	Ishii	125/23.02

OTHER PUBLICATIONS

Toolspot.co.uk websight, 3 in 1 multifunction hand tile cutting machine.*

* cited by examiner

Primary Examiner—Philip S. Hyder

(74) *Attorney, Agent, or Firm*—Alan D. Kamrath; Nikolai & Mersereau, P.A.

(57) **CLAIM**

The ornamental design for a tile cutter, as shown and described.

DESCRIPTION

FIG. 1 is a perspective view of a tile cutter showing my design;

FIG. 2 is a front elevational view thereof;

FIG. 3 is a rear elevational view thereof;

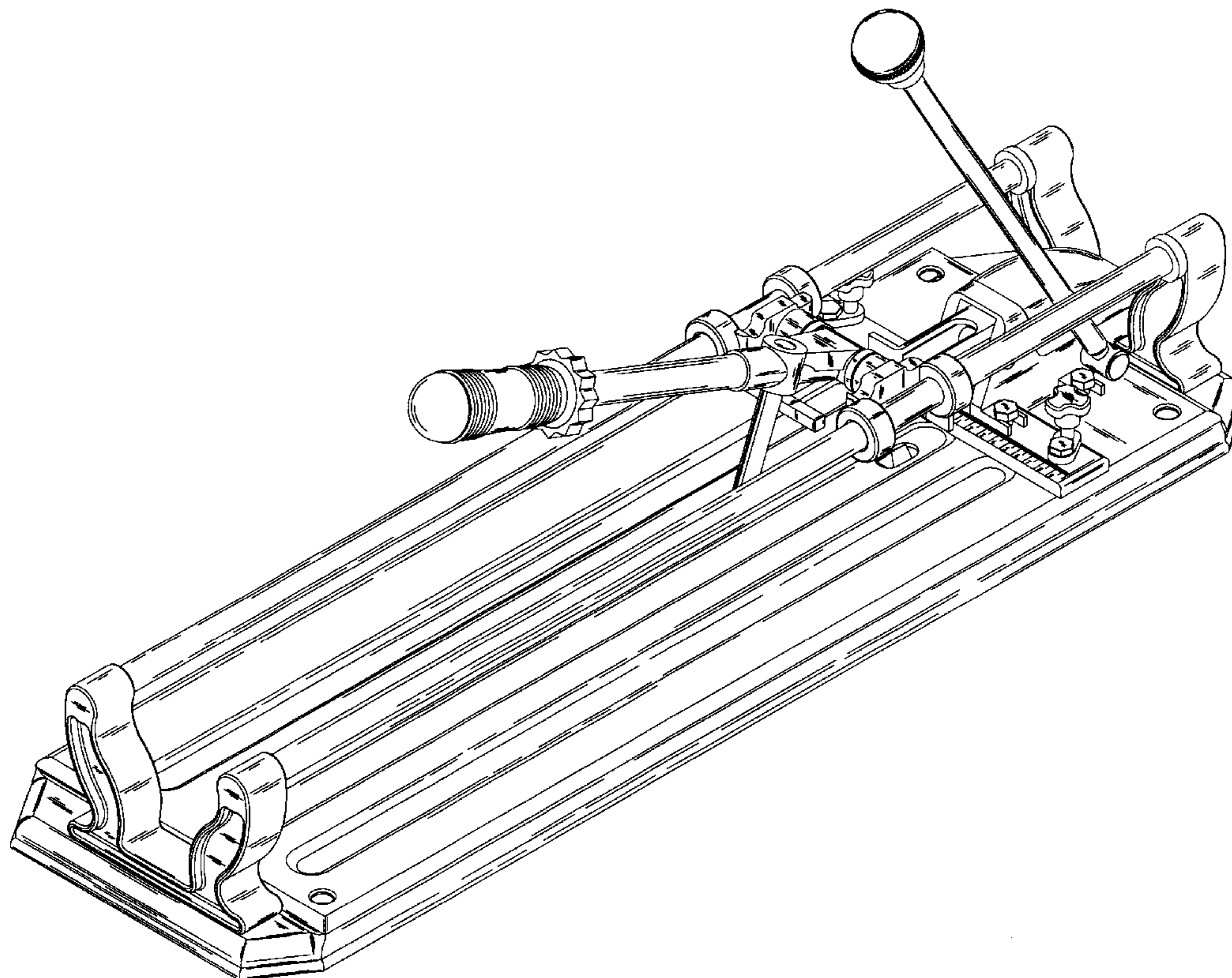
FIG. 4 is a left side elevational view thereof;

FIG. 5 is a right side elevational view thereof;

FIG. 6 is a top plan view thereof; and,

FIG. 7 is a bottom plan view thereof.

1 Claim, 7 Drawing Sheets



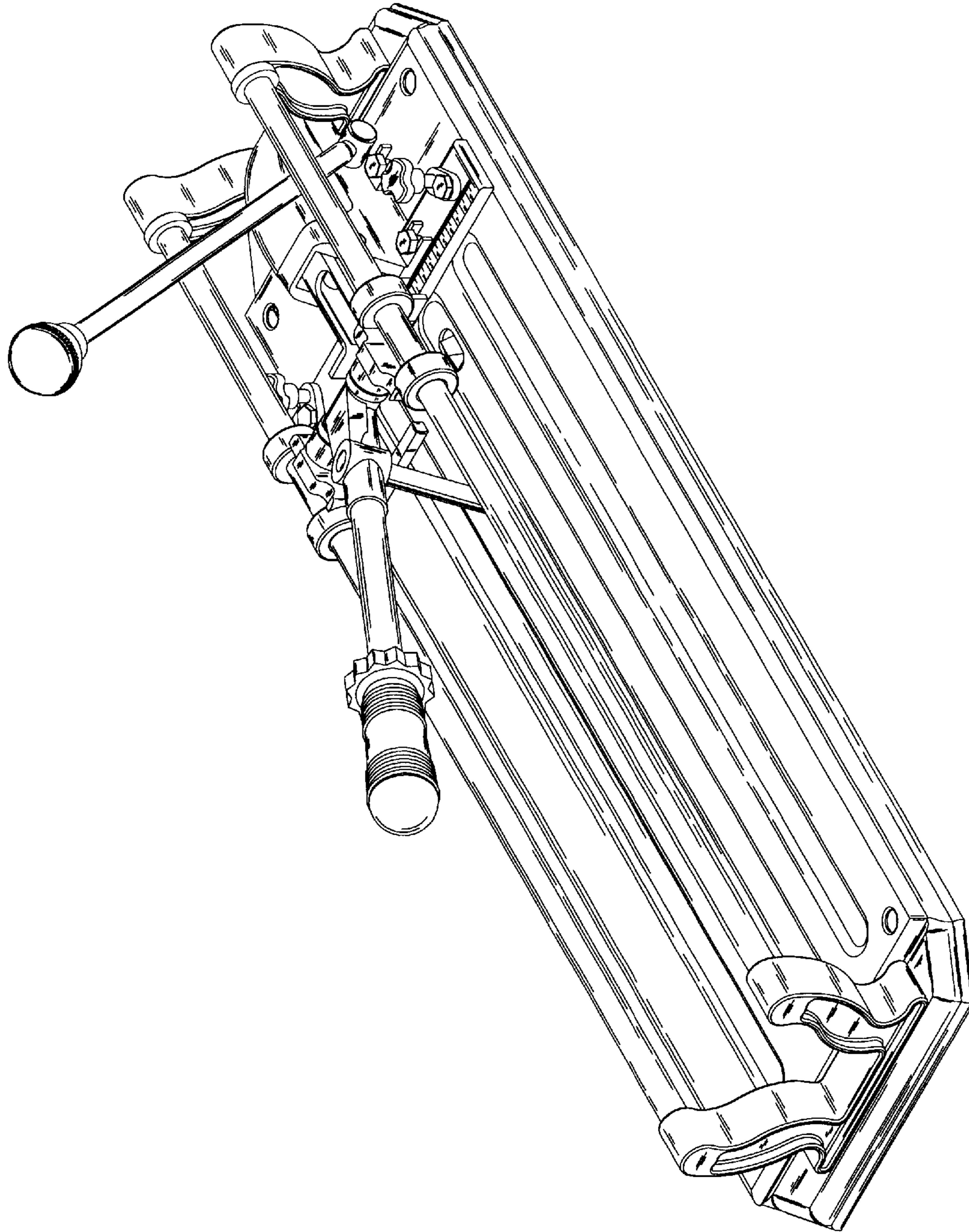


FIG. 1

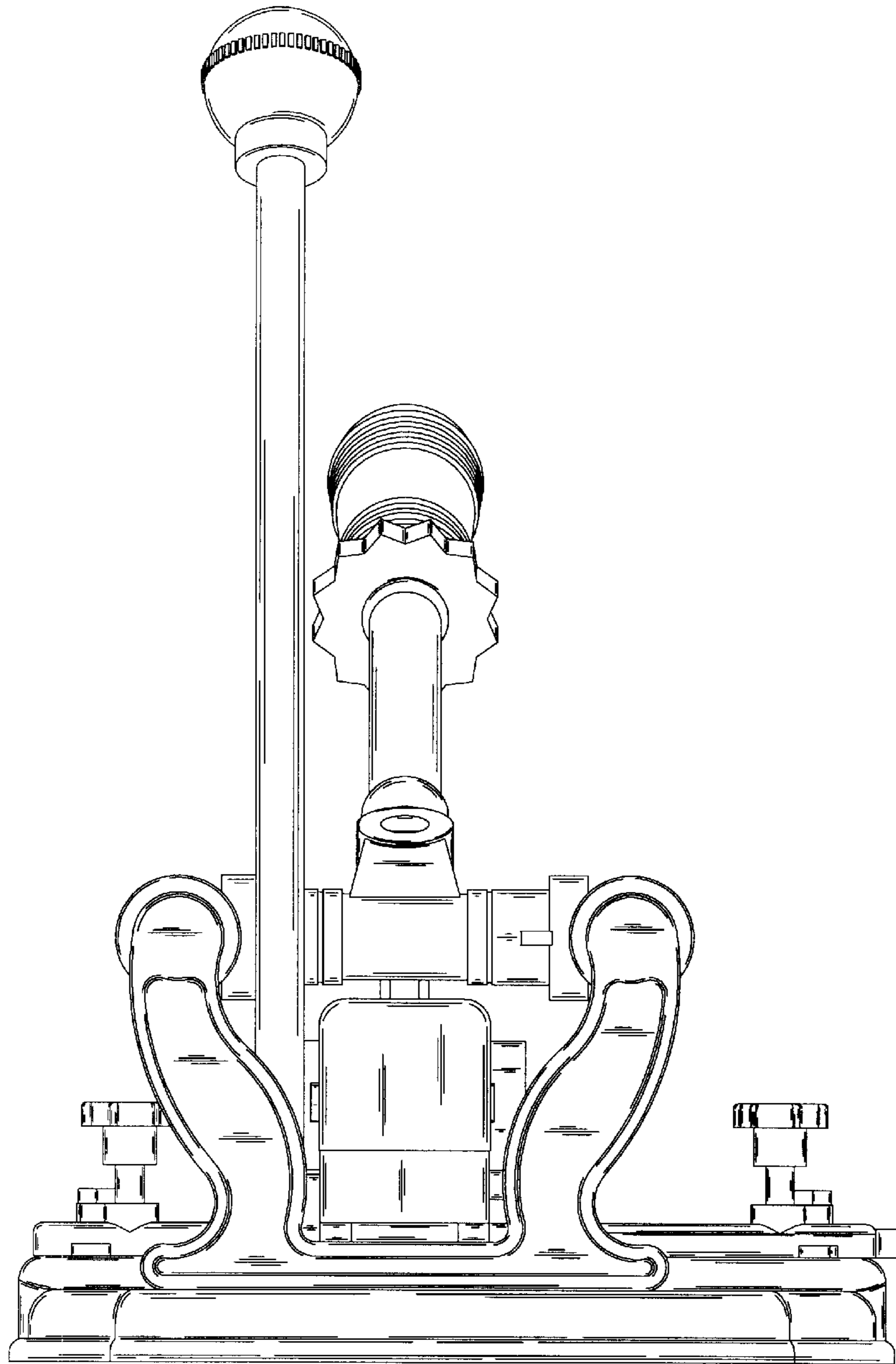


FIG. 3

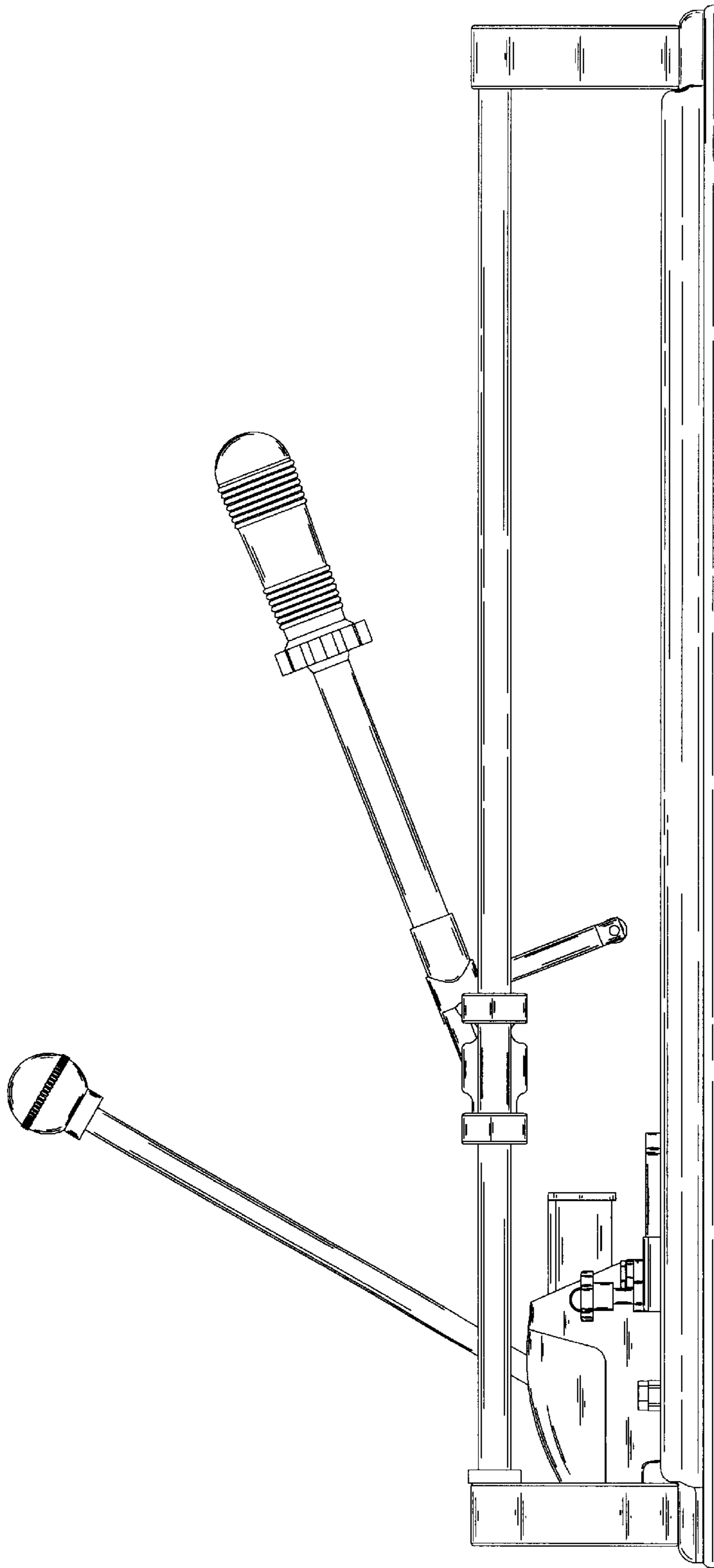


FIG. 4

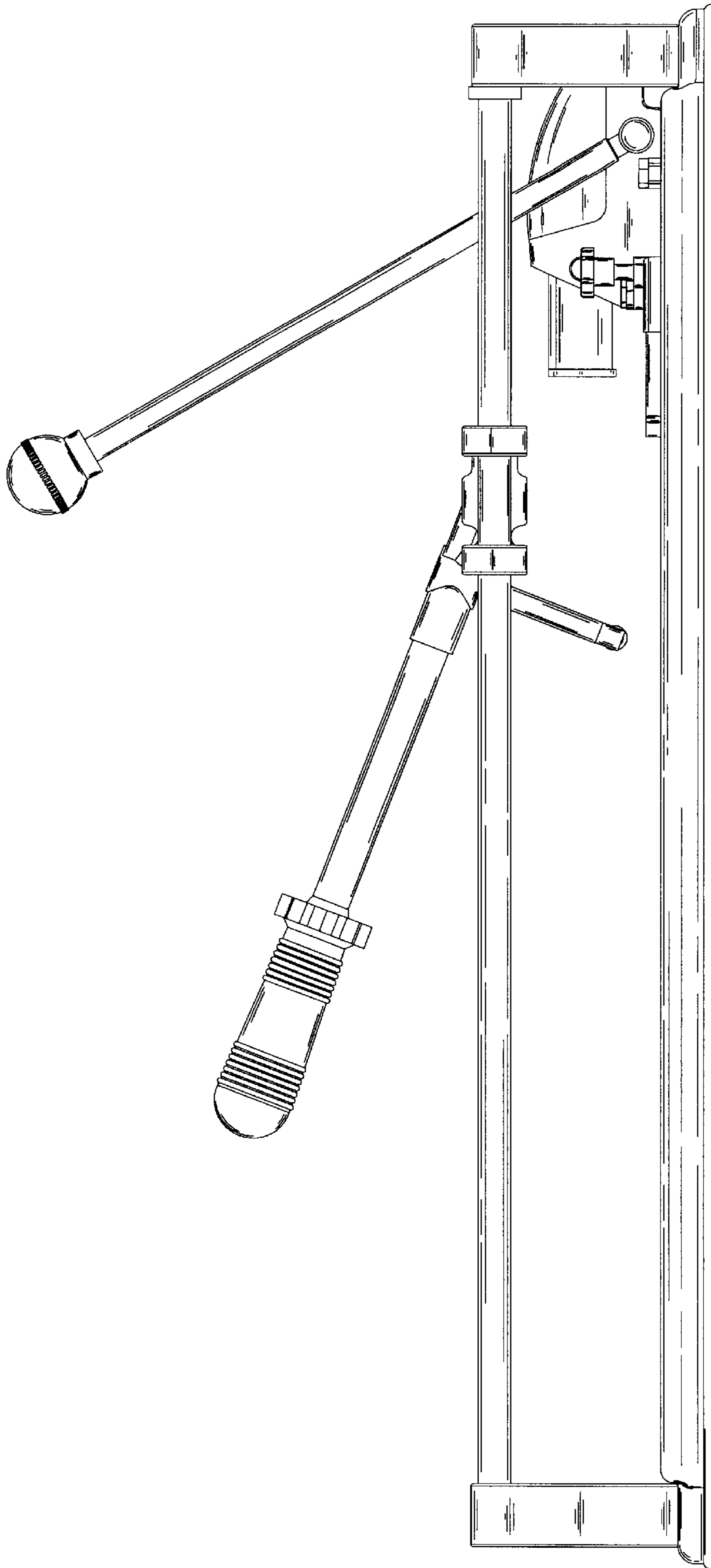


FIG. 5

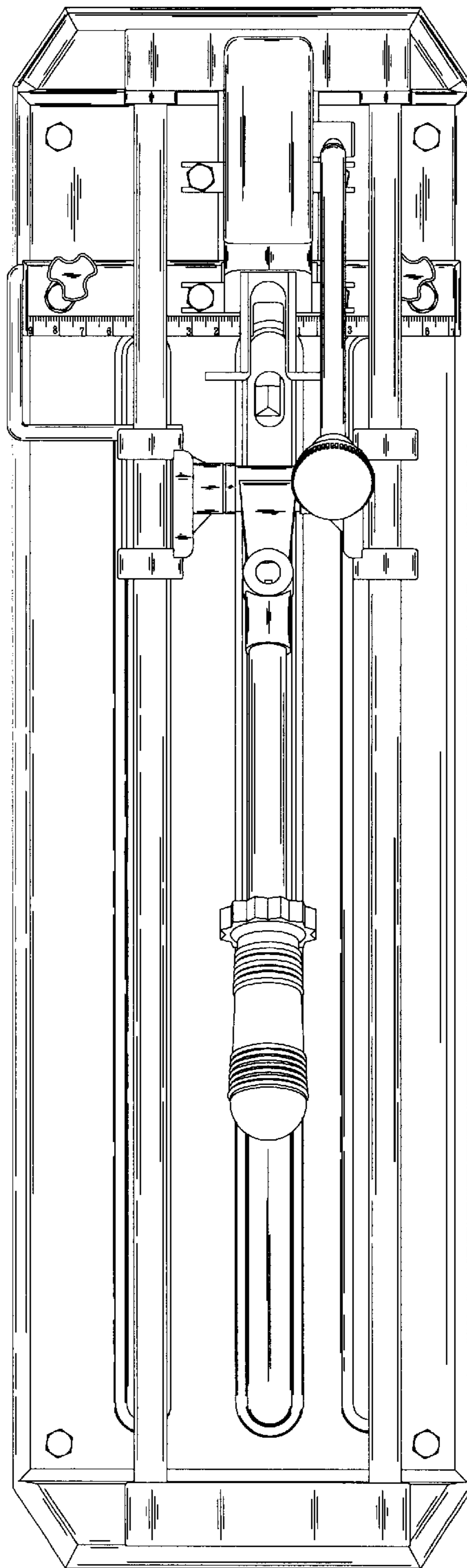


FIG. 6

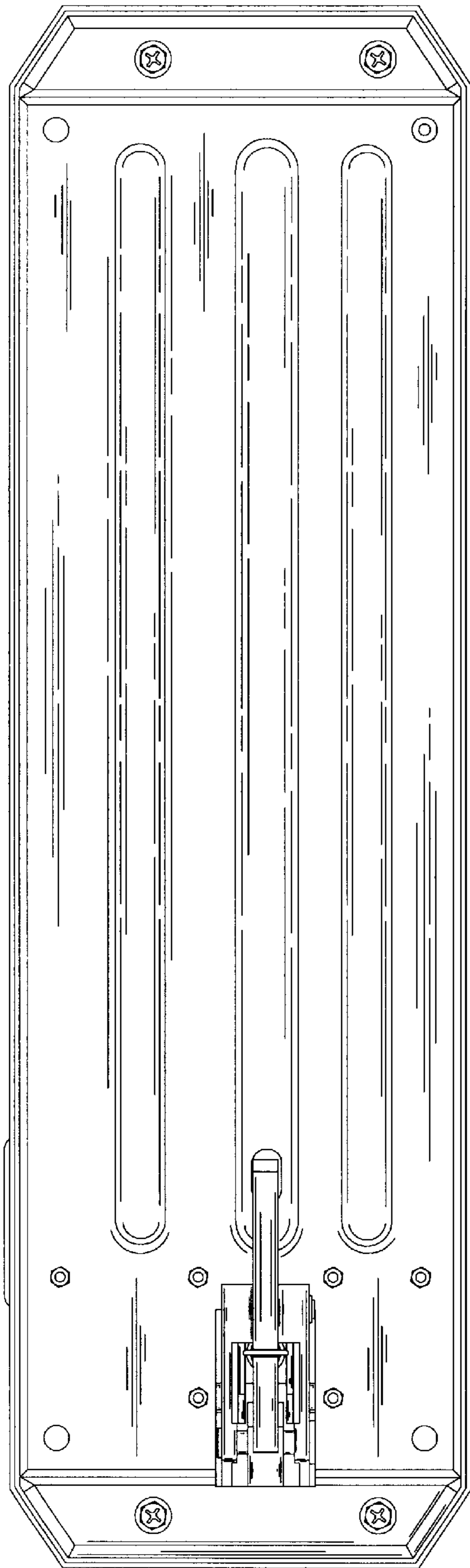


FIG. 7