



US00D541122S

(12) **United States Design Patent**
Chaconas

(10) **Patent No.:** **US D541,122 S**

(45) **Date of Patent:** **** Apr. 24, 2007**

(54) **CAP OPENER**

(75) Inventor: **Peter C. Chaconas**, Glyndon, MD (US)

(73) Assignee: **Easco Hand Tools, Inc.**, Simsbury, CT (US)

(**) Term: **14 Years**

(21) Appl. No.: **29/236,434**

(22) Filed: **Aug. 16, 2005**

(51) **LOC (8) Cl.** **07-99**

(52) **U.S. Cl.** **D8/40**

(58) **Field of Classification Search** D8/16-19,
D8/21, 27, 33-43, 88, 105; D7/665, 666,
D7/680; 7/113, 151-156; 81/3.07, 3.09, 3.27,
81/3.4, 3.55

See application file for complete search history.

(56) **References Cited**

U.S. PATENT DOCUMENTS

D420,265 S	*	2/2000	Pierce	D8/40
D488,689 S	*	4/2004	Smith, IV	D8/33
D496,569 S	*	9/2004	Shun	D8/40
D496,570 S	*	9/2004	Wolf	D8/40
D512,888 S	*	12/2005	Cefalu	D8/18
D514,405 S	*	2/2006	Chaconas	D8/25
2005/0252343 A1	*	11/2005	Turner	81/3.09

* cited by examiner

Primary Examiner—Robert M. Spear

Assistant Examiner—Garth Rademaker

(74) *Attorney, Agent, or Firm*—Nelson Mullins Riley & Scarborough, L.L.P.

(57) **CLAIM**

The ornamental design for a cap opener, as shown and described.

DESCRIPTION

FIG. 1 is a perspective view of a cap opener showing the design of the present invention;

FIG. 2 is a second perspective view thereof;

FIG. 3 is a right side elevational view thereof, the left side elevation being a mirror image thereof;

FIG. 4 is a rear elevational view thereof;

FIG. 5 is a front elevational view thereof;

FIG. 6 is a bottom plan view thereof;

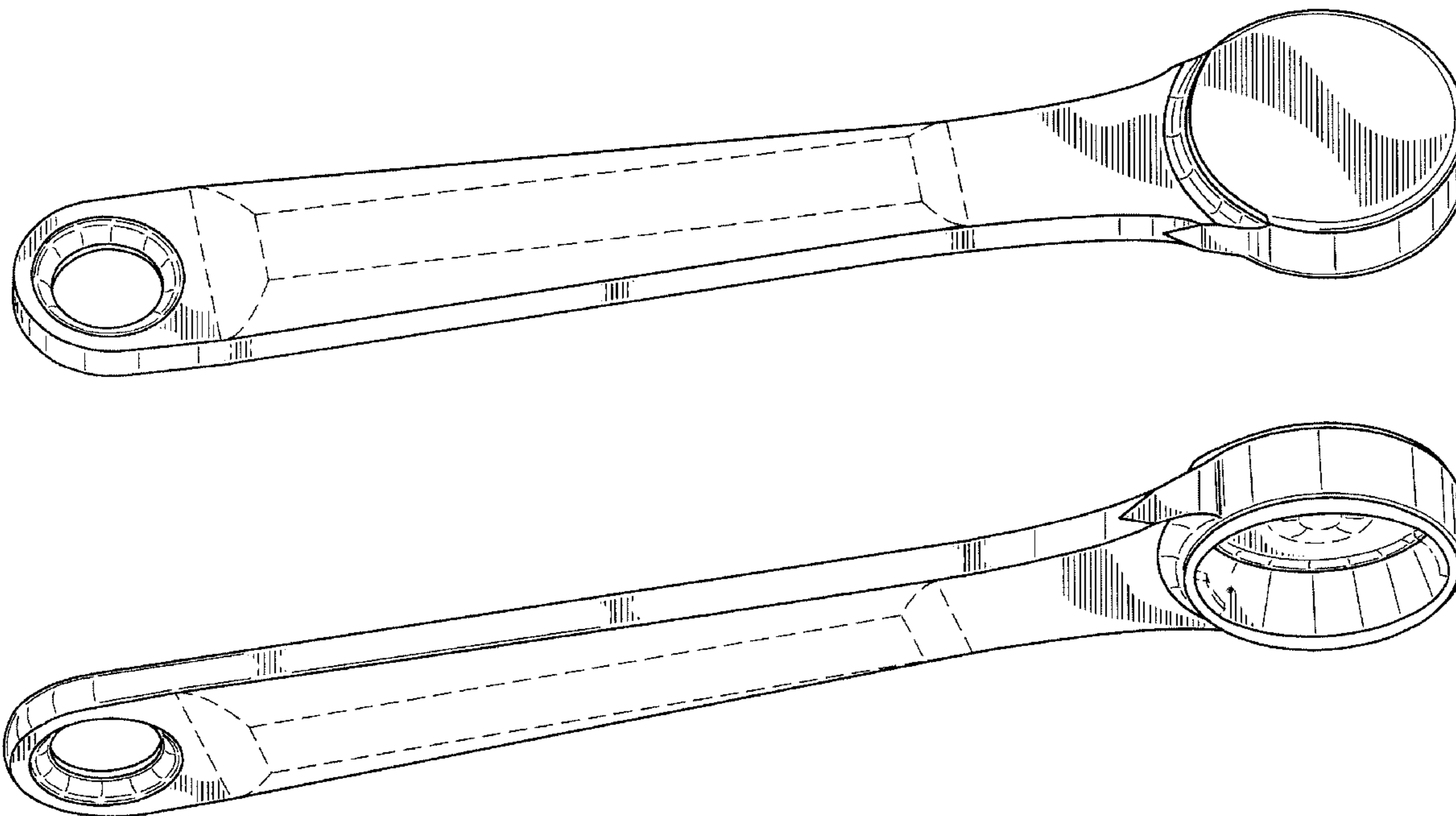
FIG. 7 is a top plan view thereof;

FIG. 8 is a front elevation view thereof, showing alternative, unclaimed environmental structure; and,

FIG. 9 is a perspective view thereof.

Broken lines are for illustrative purposes and form no part of the claim.

1 Claim, 4 Drawing Sheets



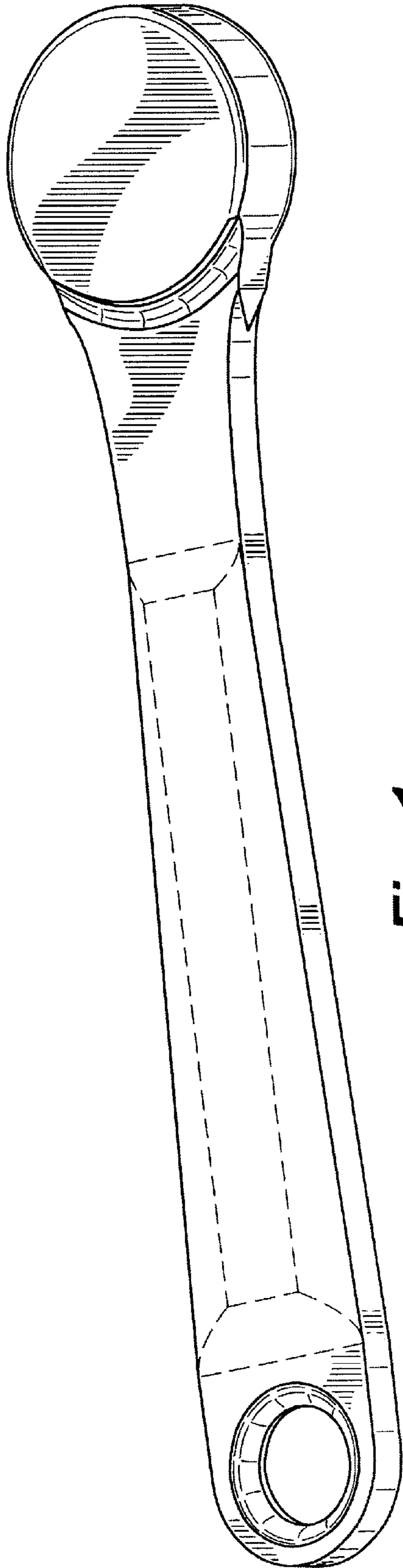


Fig. 1

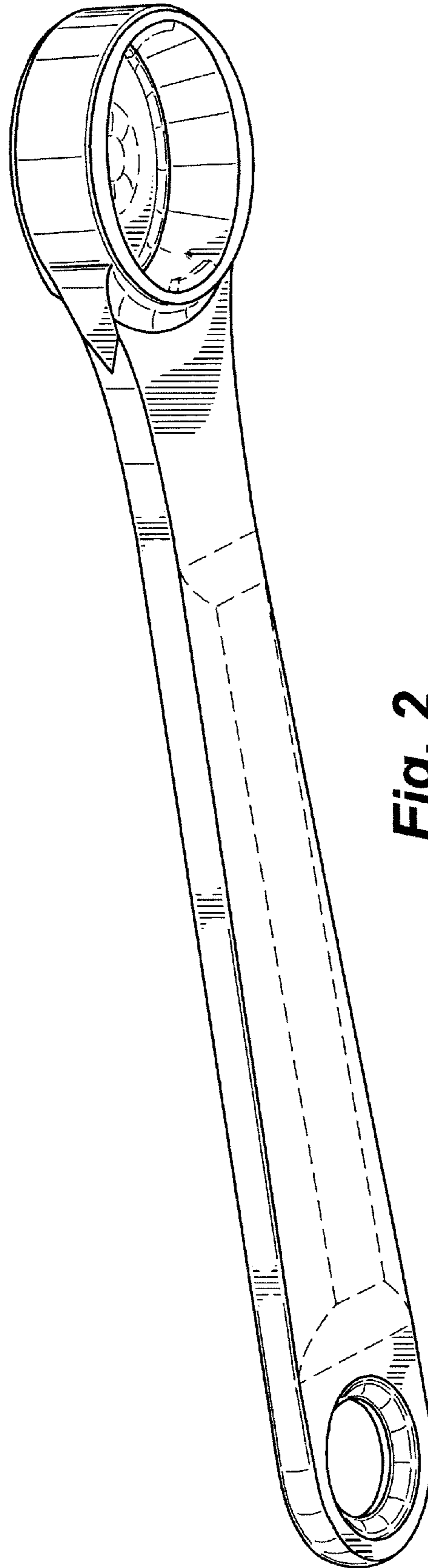


Fig. 2



Fig. 3

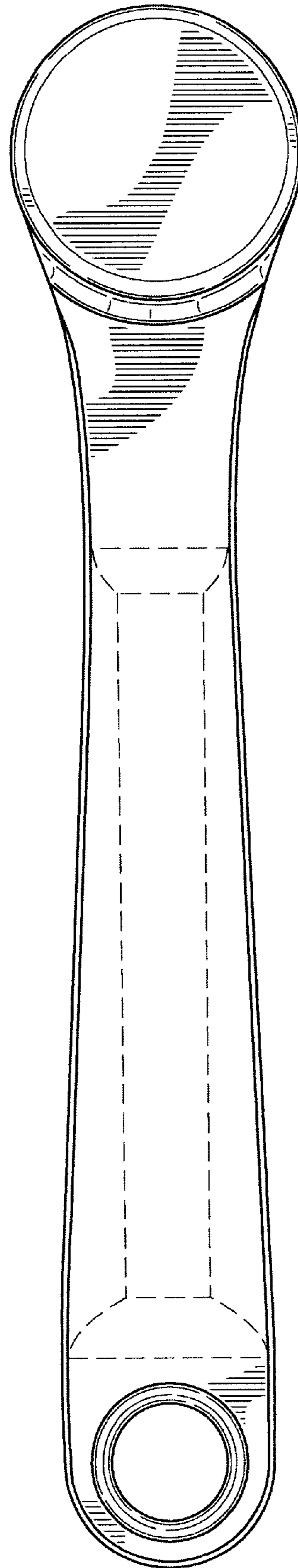


Fig. 4

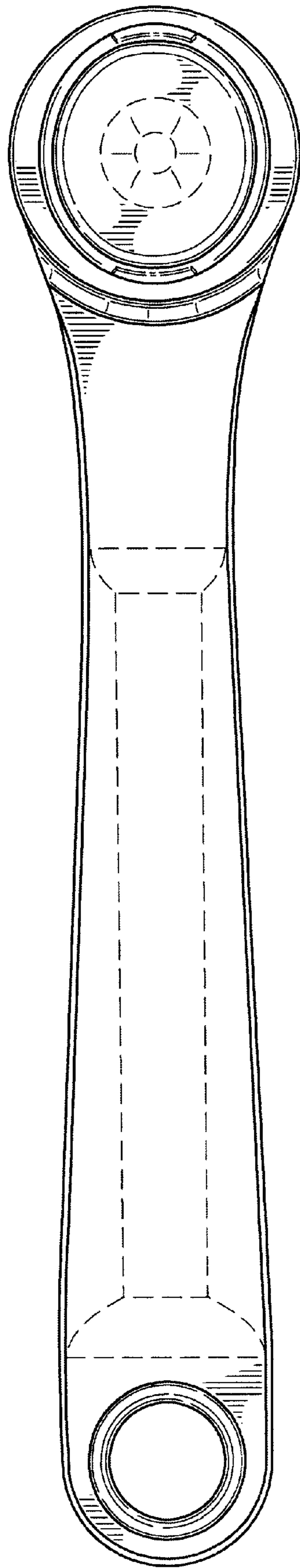


Fig. 5



Fig. 7

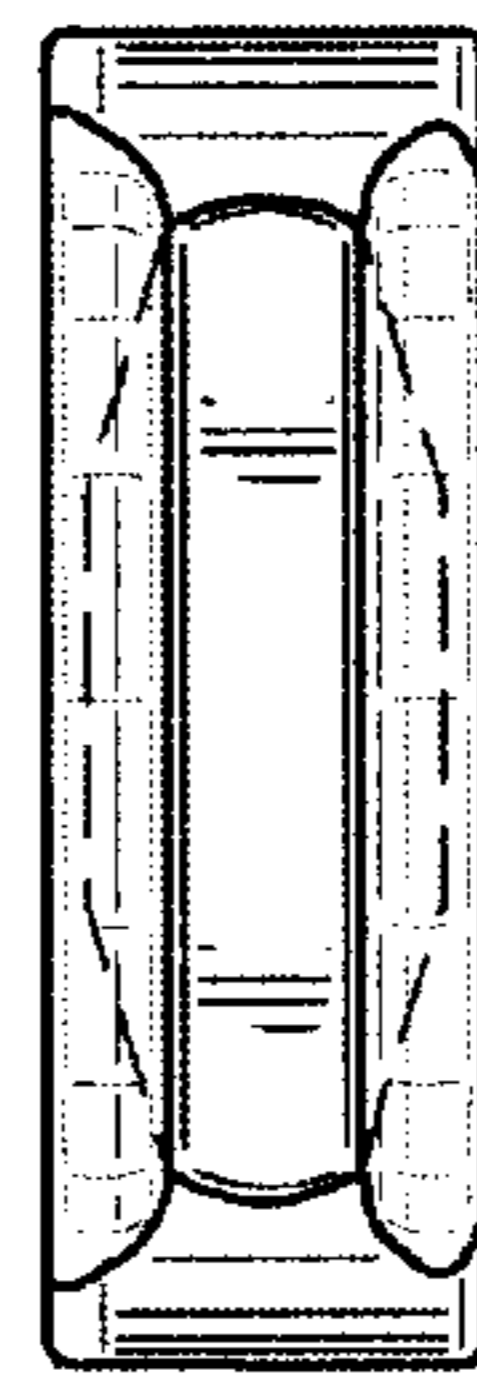


Fig. 6

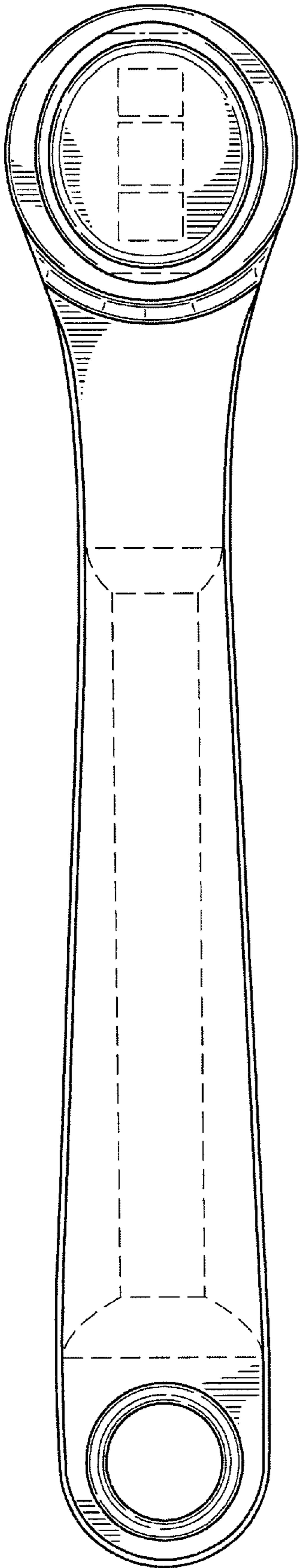


Fig. 8

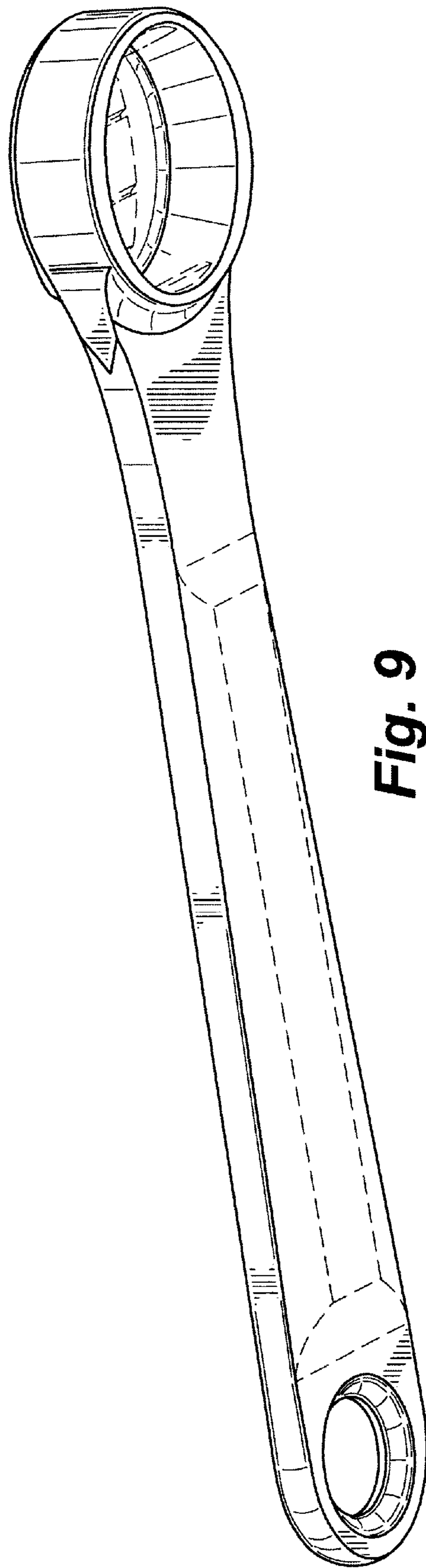


Fig. 9