



US00D541116S

(12) **United States Design Patent**
Upham et al.

(10) **Patent No.:** **US D541,116 S**

(45) **Date of Patent:** **** Apr. 24, 2007**

(54) **FUNNEL**

6,179,022 B1 * 1/2001 Schneider et al. 141/331

(75) Inventors: **Matthew Upham**, Neosho Rapids, KS
(US); **Janel Aylward**, Emporia, KS
(US)

* cited by examiner

Primary Examiner—Terry A. Wallace
(74) *Attorney, Agent, or Firm*—George R. McGuire; Bond,
Schoeneck & King, PLLC

(73) Assignee: **Hopkins Manufacturing Corporation**,
Emporia, KS (US)

(57) **CLAIM**

(**) Term: **14 Years**

The ornamental design for a funnel, as shown and described.

(21) Appl. No.: **29/246,196**

DESCRIPTION

(22) Filed: **Mar. 16, 2006**

(51) **LOC (8) Cl.** **07-99**

(52) **U.S. Cl.** **D7/700**

(58) **Field of Classification Search** D7/700,
D7/400; 141/95, 98, 297-300, 331-345
See application file for complete search history.

FIG. 1 is a perspective view of our new and original design
for a funnel;

FIG. 2 is a top plan view thereof;

FIG. 3 is a front elevation view thereof;

FIG. 4 is a side elevation view thereof, the opposite side
being a mirror image;

FIG. 5 is a rear elevation view thereof; and,

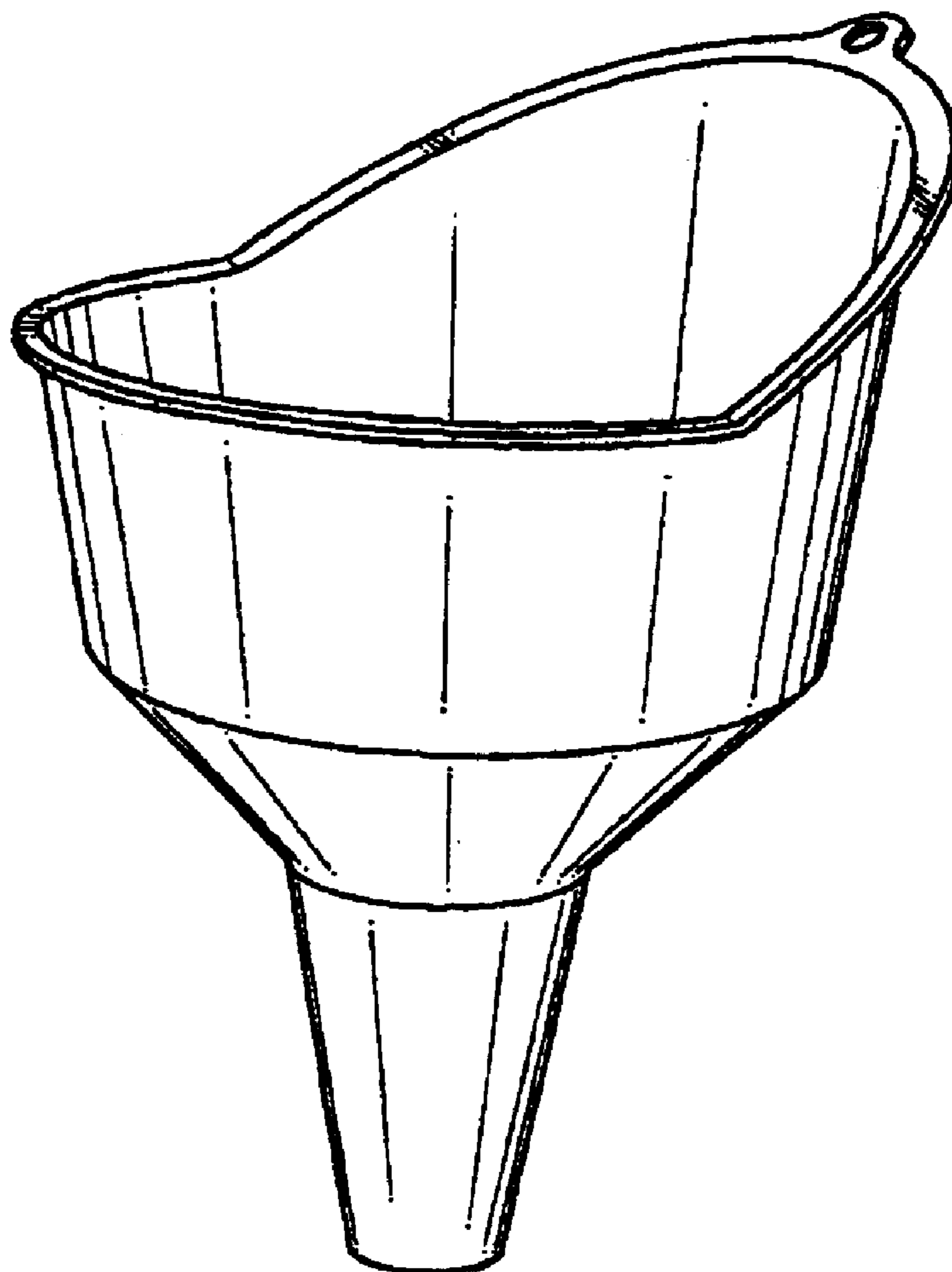
FIG. 6 is a bottom plan view thereof.

(56) **References Cited**

U.S. PATENT DOCUMENTS

D218,773 S * 9/1970 Sitts D7/700

1 Claim, 2 Drawing Sheets



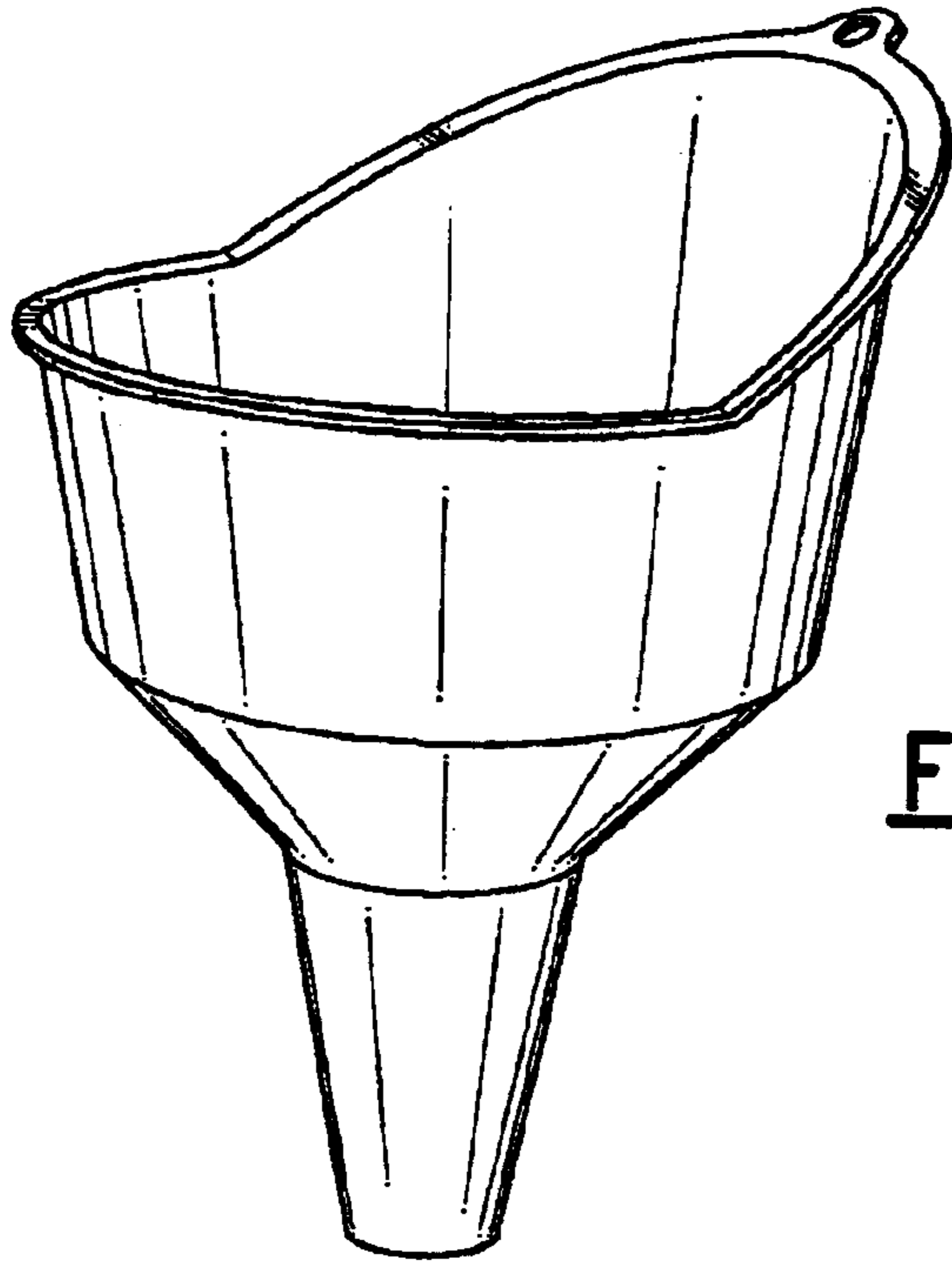


FIG. 1

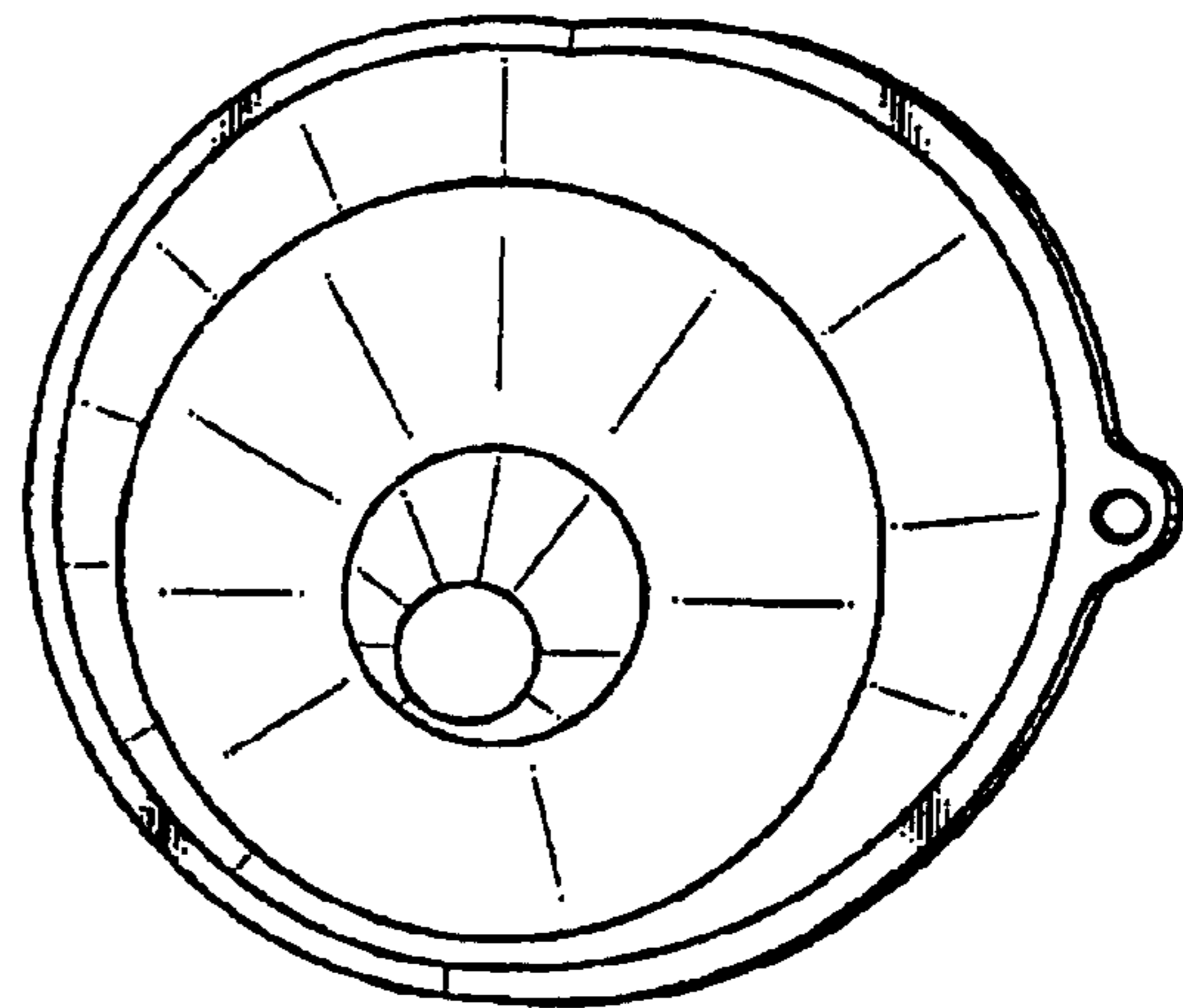


FIG. 2

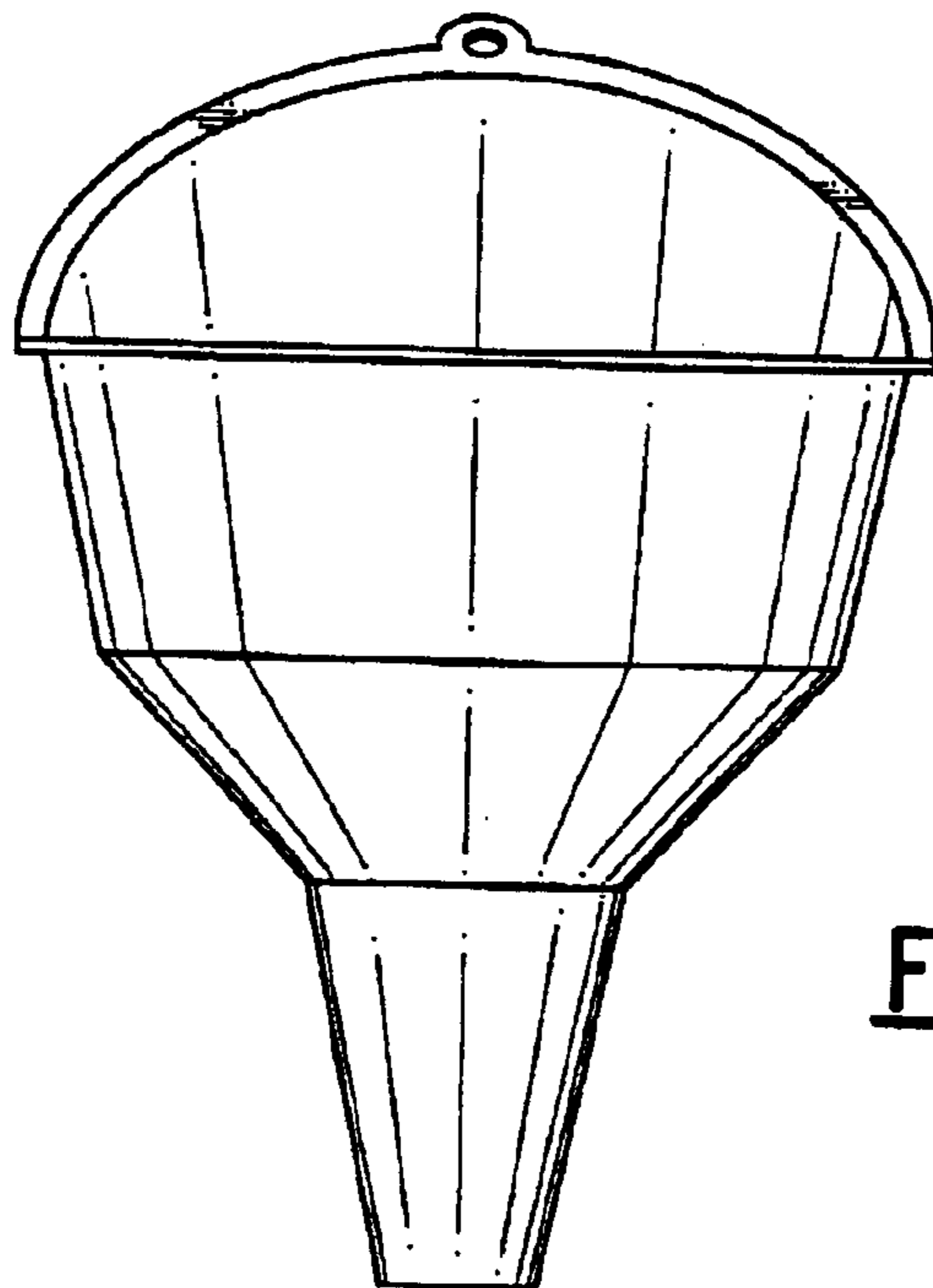


FIG. 3

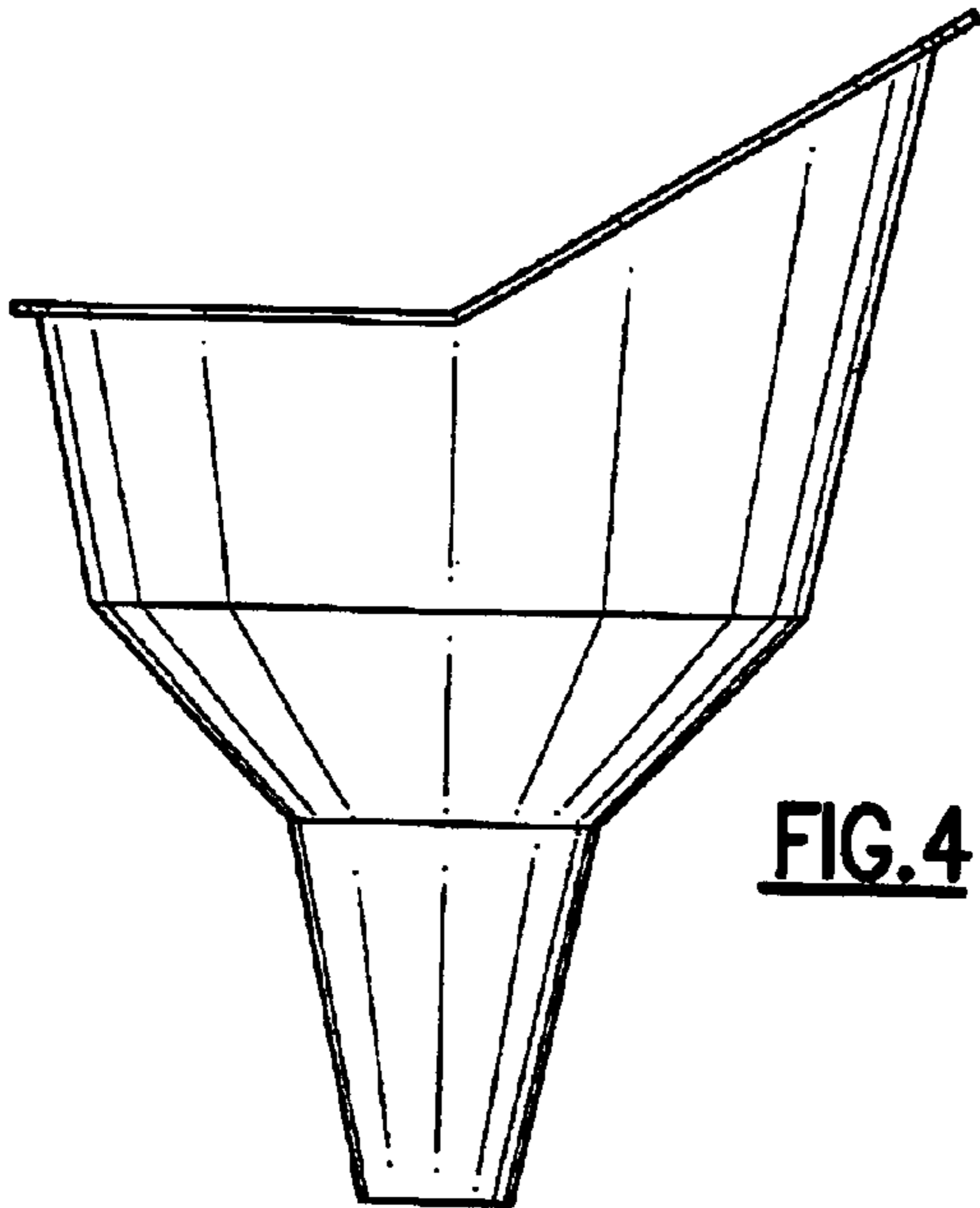


FIG. 4

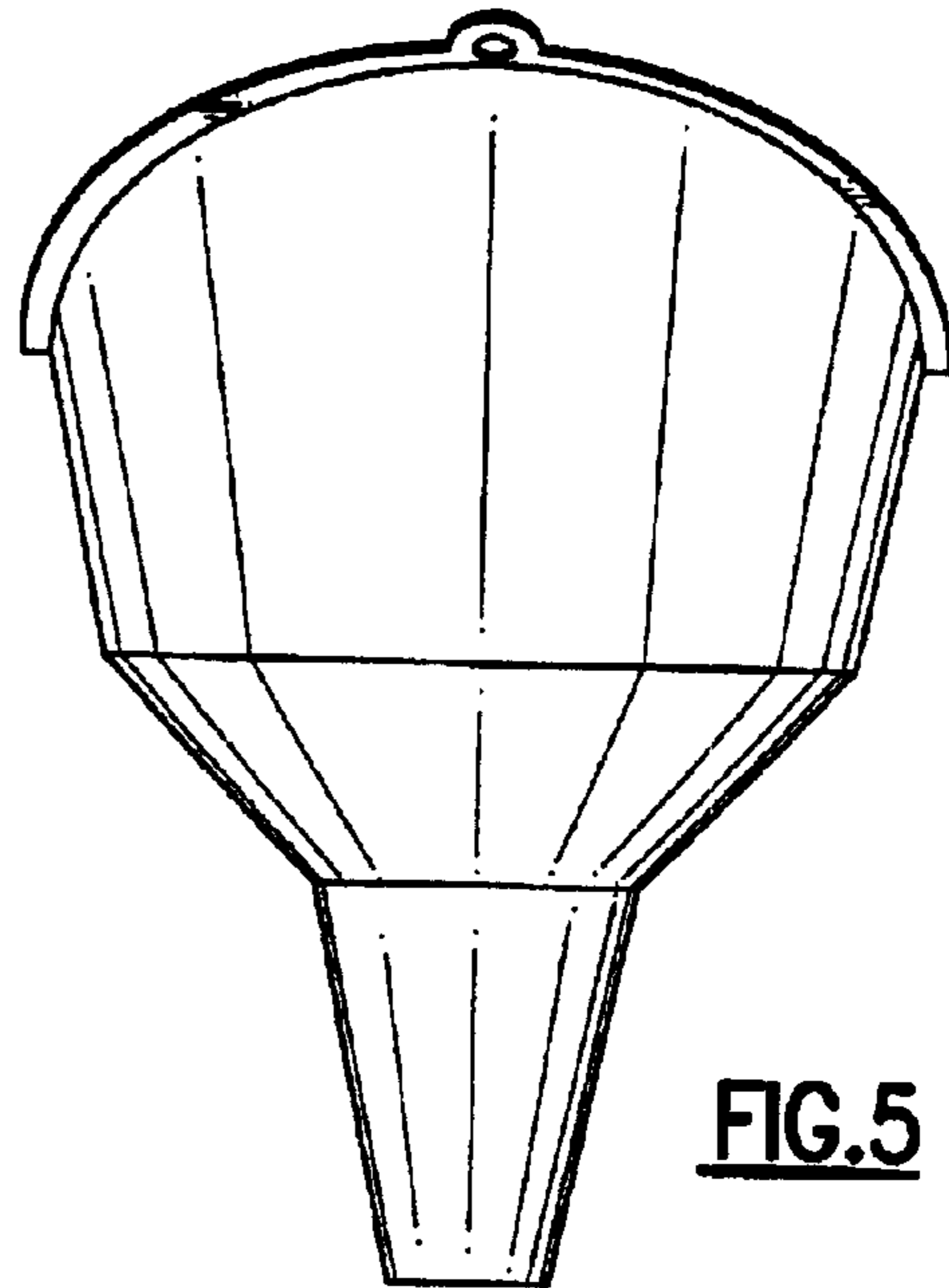


FIG. 5

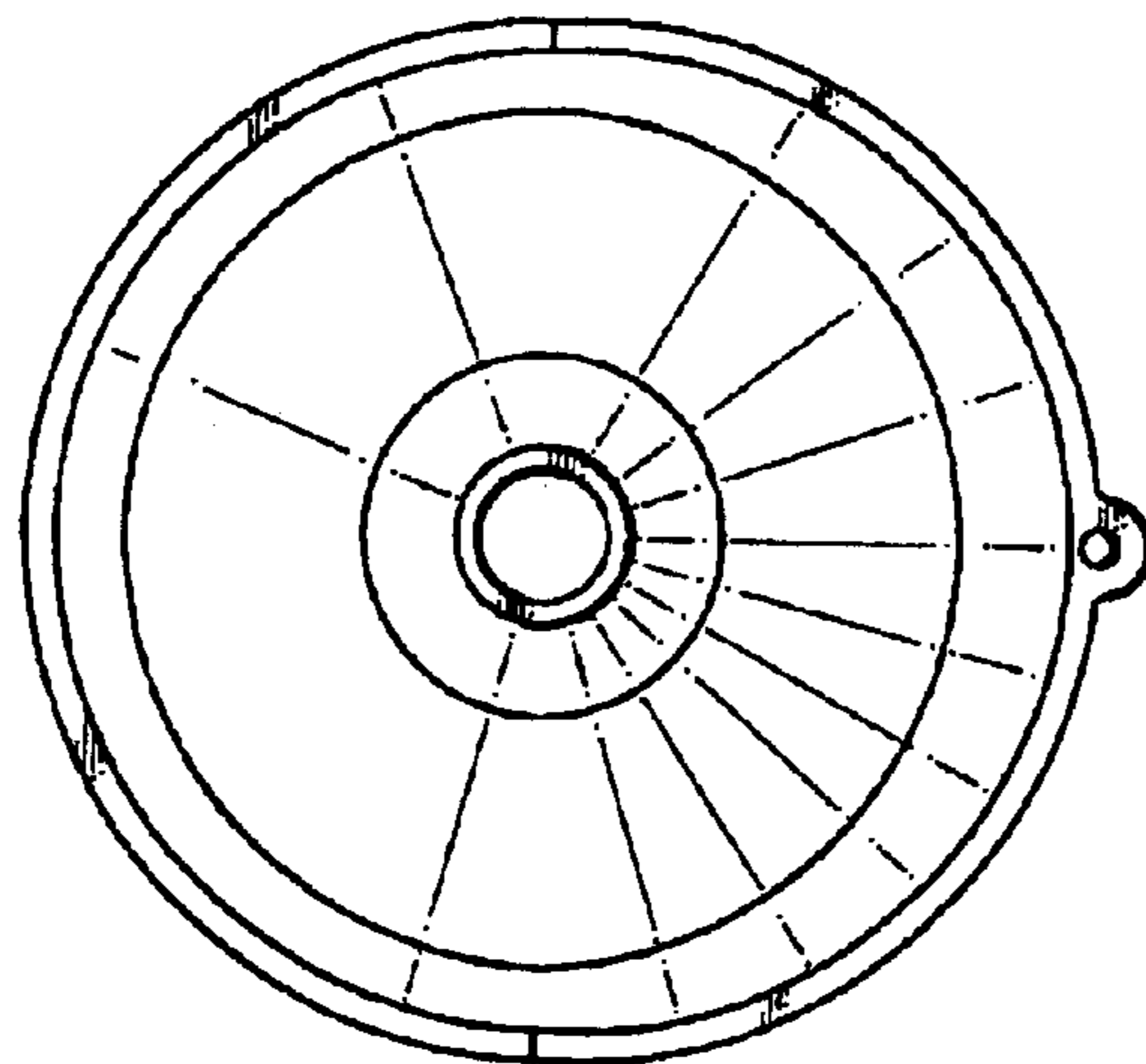


FIG. 6