

US00D541107S

(12) **United States Design Patent** (10) **Patent No.:** **US D541,107 S**
Mansfield (45) **Date of Patent:** **** *Apr. 24, 2007**

(54) **DRINKING CUP**

(56) **References Cited**

(75) Inventor: **Bryan D. Mansfield**, Myakka City, FL (US)

U.S. PATENT DOCUMENTS

(73) Assignee: **Hurricane Shooters LLC**, Brandon, FL (US)

1,476,910	A	*	12/1923	Naugle	249/122
1,832,585	A	*	11/1931	Sample	206/103
D99,531	S	*	5/1936	Sterling	D7/513
2,969,903	A	*	1/1961	Keith	229/110
4,362,266	A	*	12/1982	Webinger	229/110
4,395,015	A	*	7/1983	Reardon	249/115
D304,514	S	*	11/1989	Veizirian et al.	D7/507
D310,941	S	*	10/1990	Carty	D28/44.1
5,215,214	A	*	6/1993	Lev et al.	222/1
5,887,781	A	*	3/1999	Marx et al.	229/120.32
6,421,890	B1	*	7/2002	Biggar	27/1

(*) Notice: This patent is subject to a terminal disclaimer.

(**) Term: **14 Years**

(21) Appl. No.: **29/246,552**

(22) Filed: **Apr. 21, 2006**

* cited by examiner

Related U.S. Application Data

Primary Examiner—M. N. Pandozzi

(74) *Attorney, Agent, or Firm*—Mark Douma

(63) Continuation-in-part of application No. 11/294,640, filed on Dec. 5, 2005, and a continuation-in-part of application No. 29/244,072, filed on Dec. 5, 2005, now Pat. No. Des. 534,768, and a continuation-in-part of application No. 11/255,572, filed on Oct. 21, 2005, said application No. 11/294,640, filed on Dec. 5, 2005, is a continuation-in-part of application No. 11/255,572, filed on Oct. 21, 2005, said application No. 29/244,072, filed on Dec. 5, 2005, is a continuation-in-part of application No. 11/255,572, filed on Oct. 21, 2005.

(57) **CLAIM**

I claim the ornamental design for a drinking cup, as shown and described.

(51) **LOC (8) Cl.** **07-01**

(52) **U.S. Cl.** **D7/513; D7/523**

(58) **Field of Classification Search** D7/507, D7/509, 503, 523, 513, 555, 557, 531; D11/144; 215/12.1; 220/575, 573.2, 573.1, 662, 676, 220/DIG. 13, 506, 231, 719, 675, 707, 705, 220/737, 703, 704; 206/118, 103, 519, 520, 206/217; 229/409, 400, 103.1, 110; 249/66.1, 249/11.5

DESCRIPTION

FIG. 1 is a top and side perspective view of a drinking cup showing my new design;

FIG. 2 is a front elevation view where the position of the interior portion is on a flat side, all seven other views showing a flat side are the same;

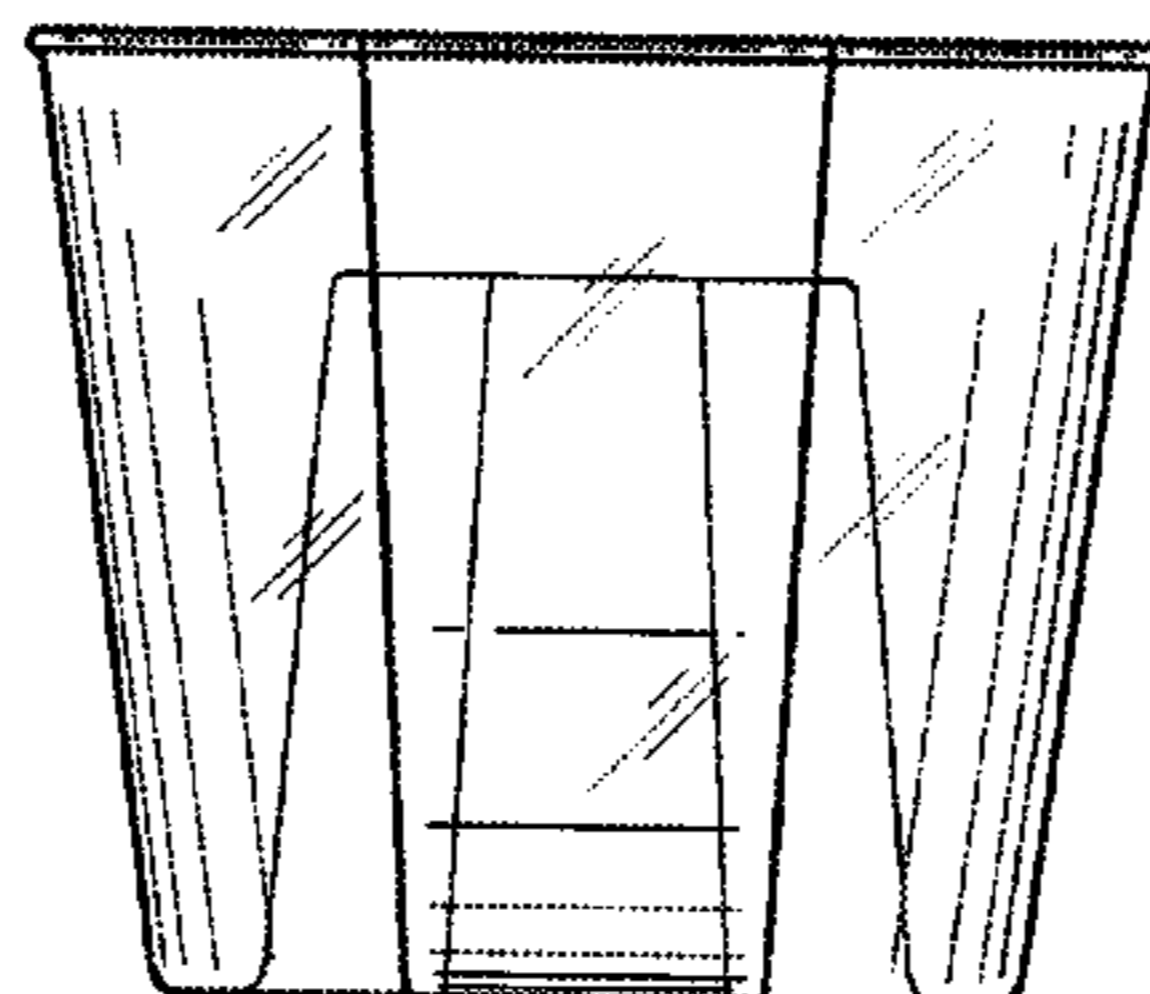
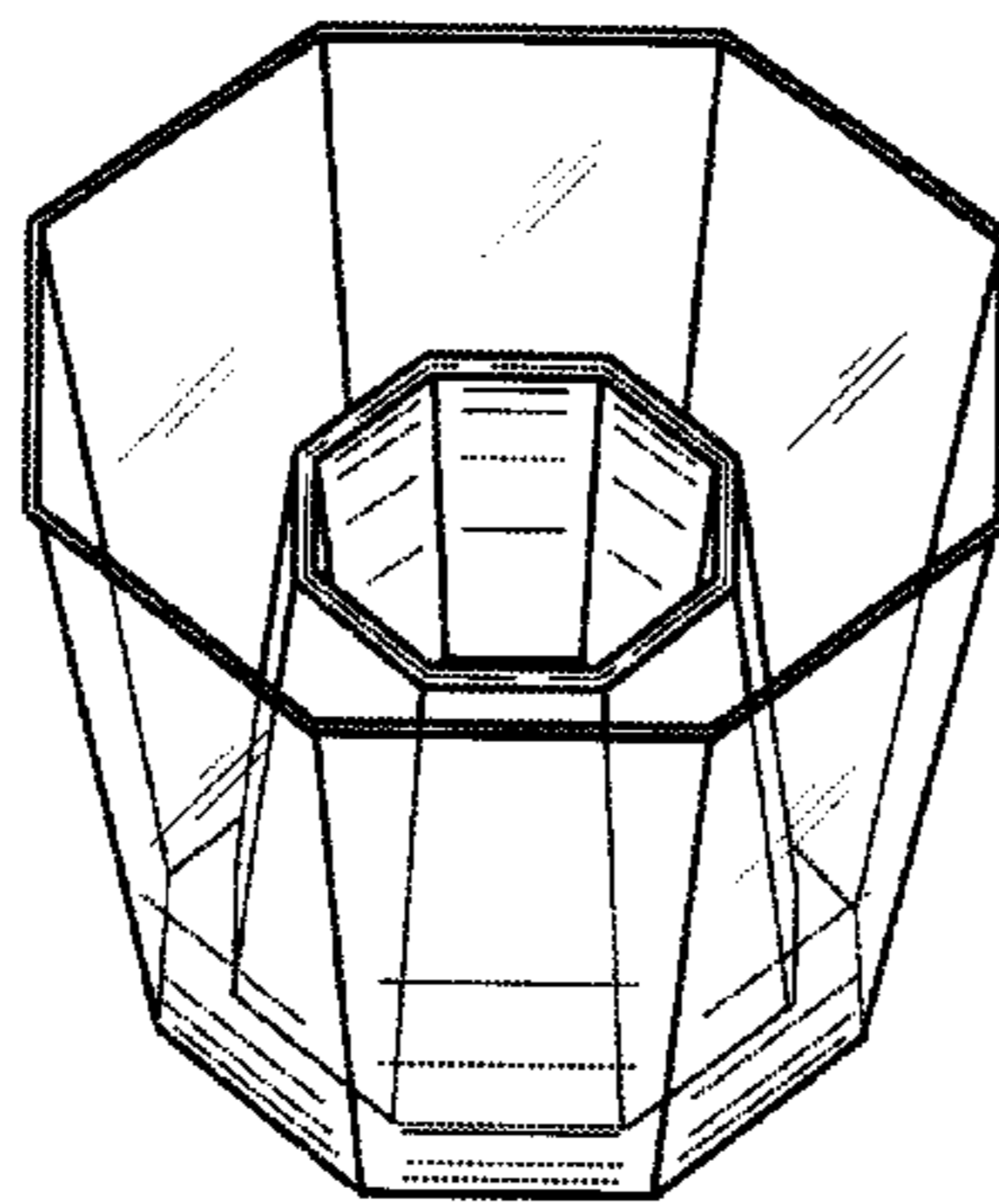
FIG. 3 is a side elevation view where the position of the interior portion is on a corner, all seven other views showing a corner are the same;

FIG. 4 is a top view thereof; and,

FIG. 5 is a bottom view thereof.

See application file for complete search history.

1 Claim, 3 Drawing Sheets



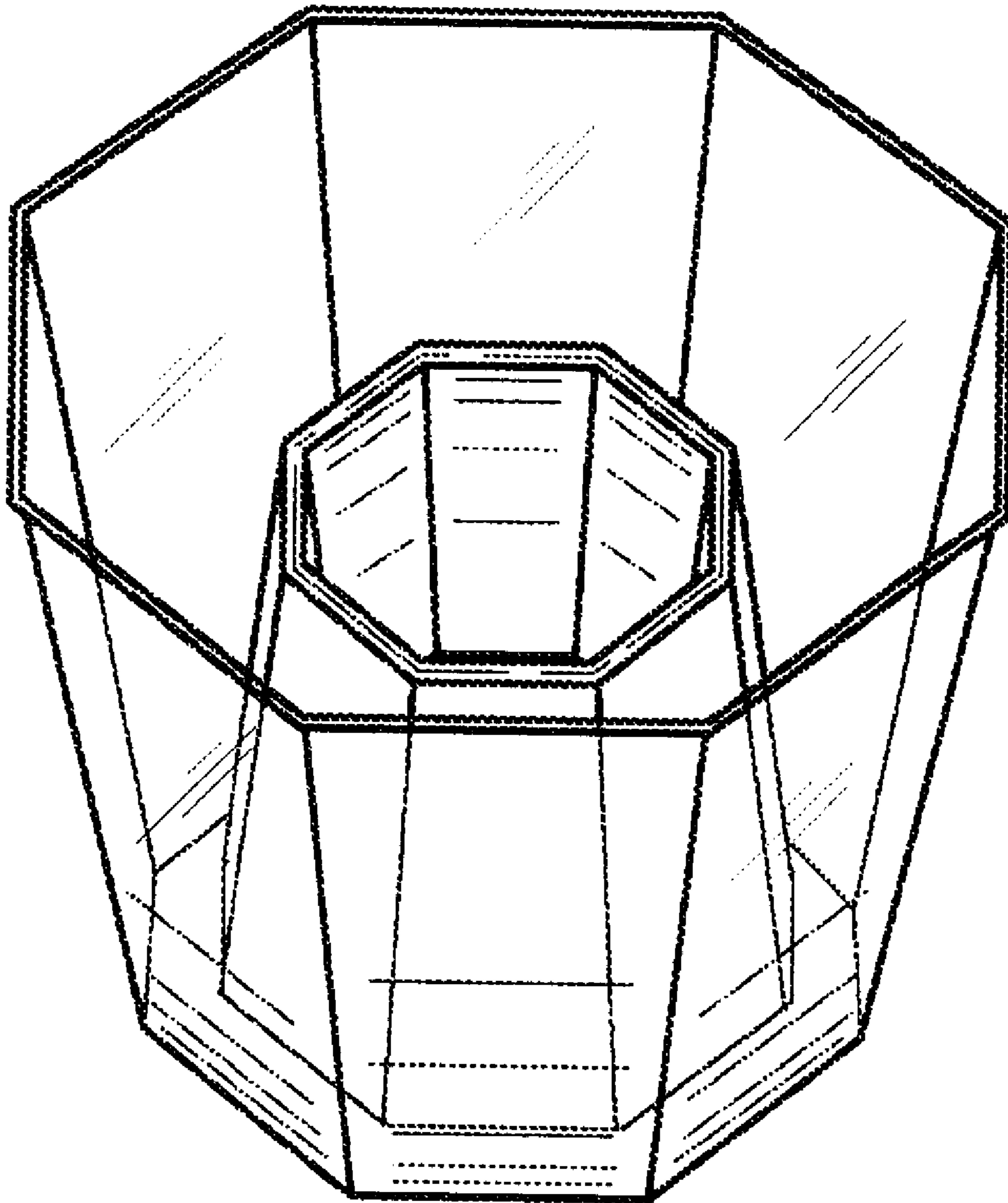


FIG. 1

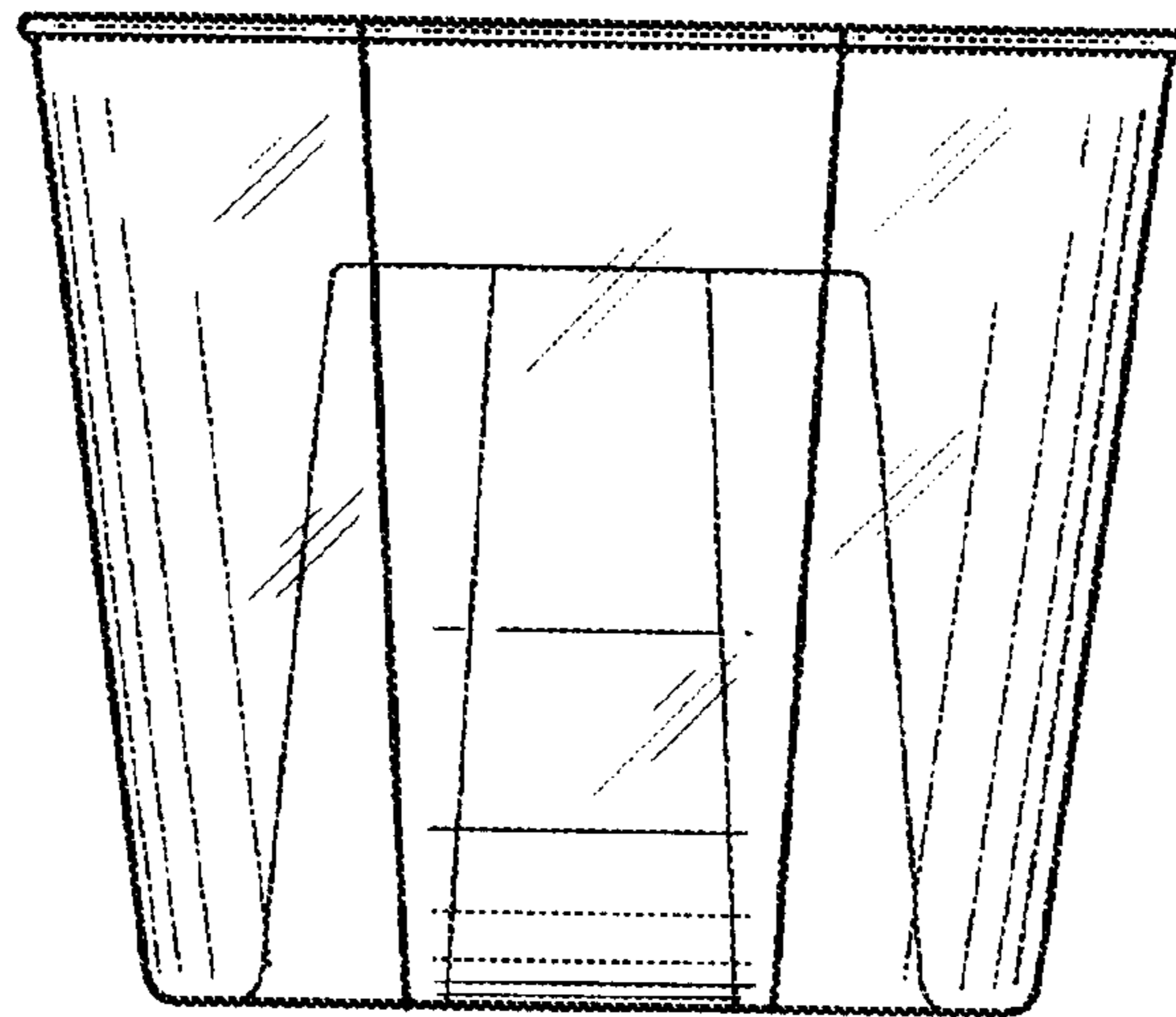


FIG. 2

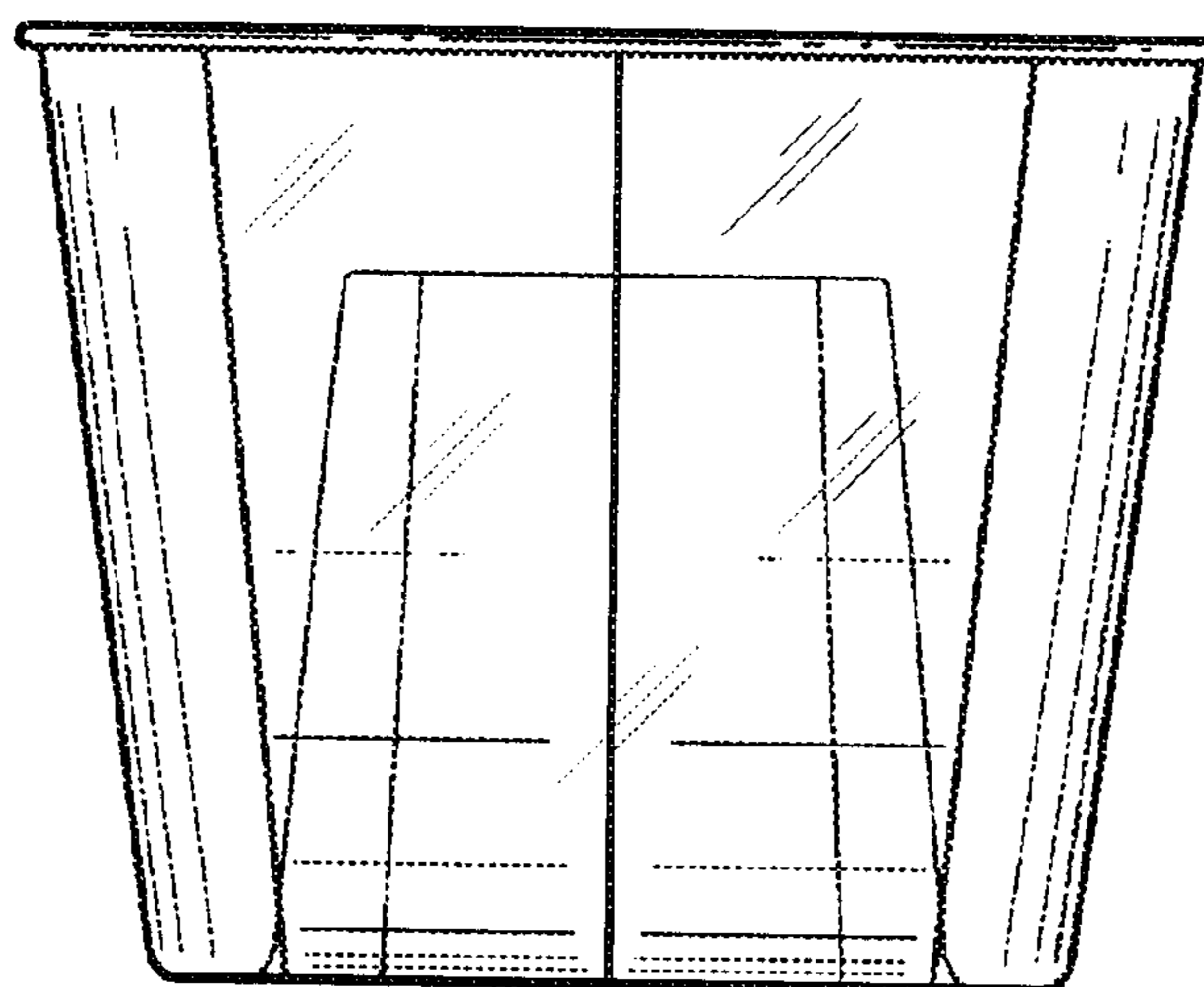


FIG. 3

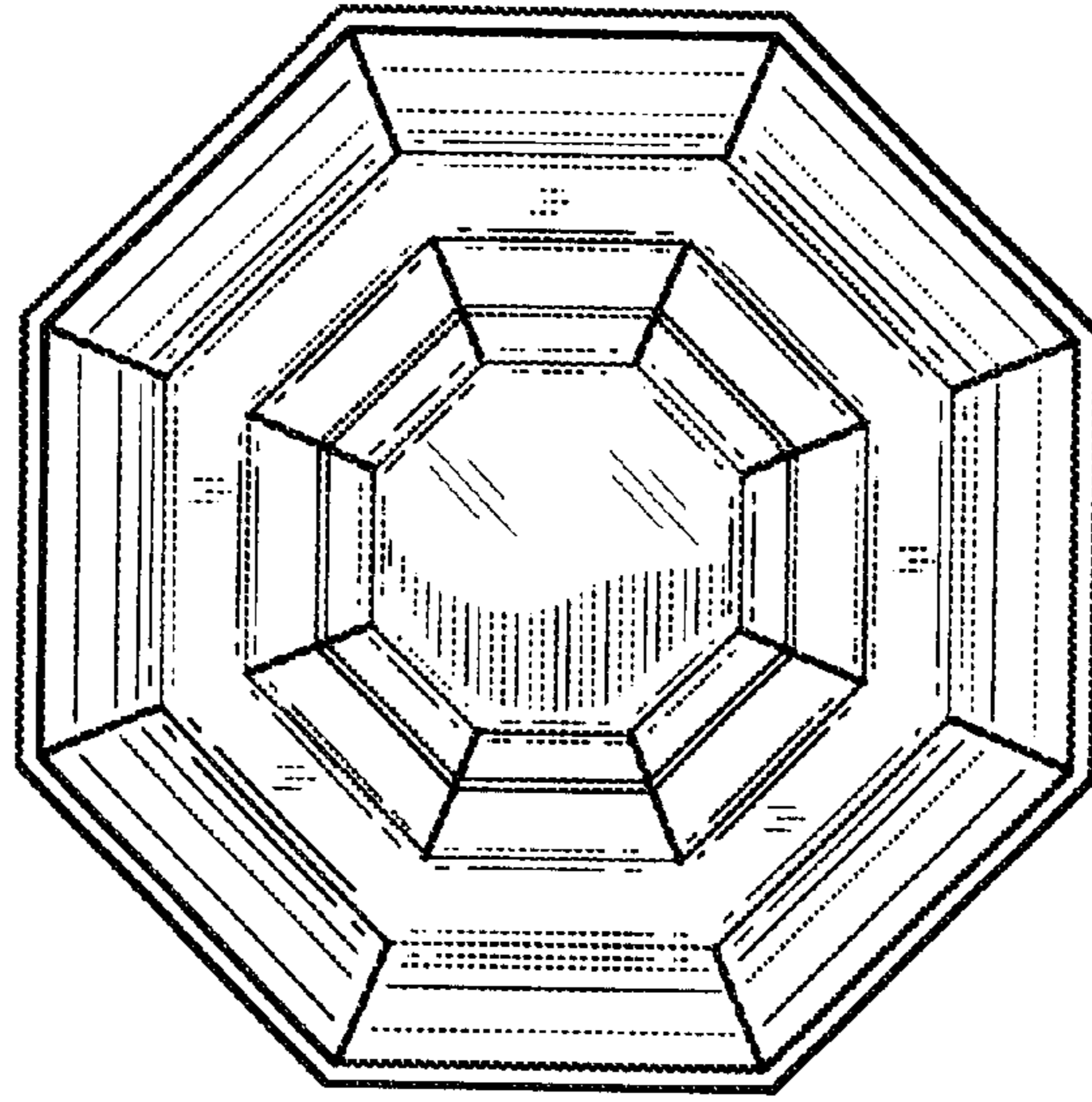


FIG. 4

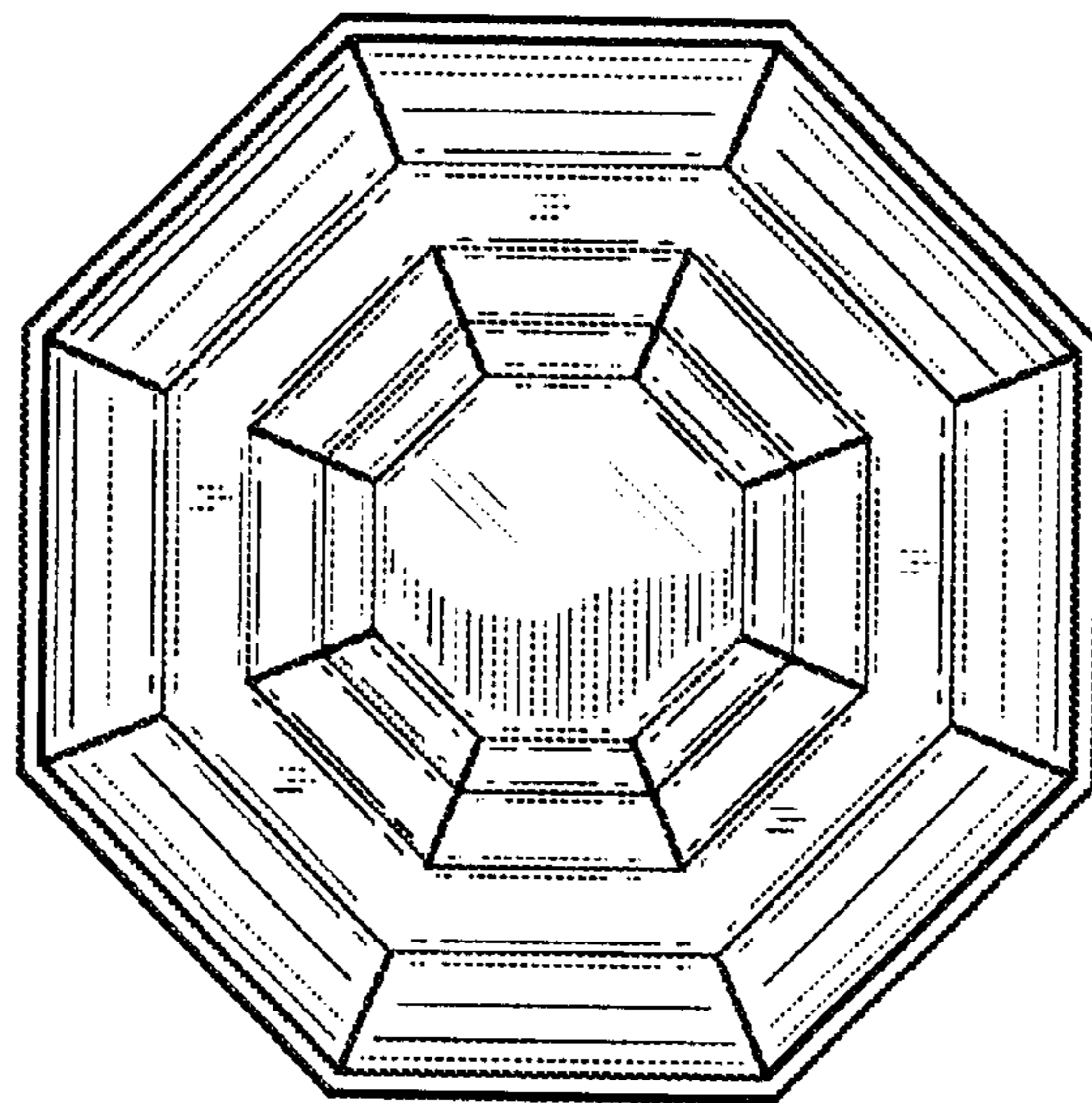


FIG. 5