

US00D541105S

(12) **United States Design Patent**  
**Jin**

(10) **Patent No.:** **US D541,105 S**

(45) **Date of Patent:** **\*\* Apr. 24, 2007**

(54) **MUG**

(75) Inventor: **Xue Biu Jin**, Guangdong (CN)

(73) Assignees: **Phoenix Ind.**, Kowloon (HK); **2932105 Canada Inc.**, O/A Esp, Markham, Ontario (CA)

(\*\*) Term: **14 Years**

(21) Appl. No.: **29/222,697**

(22) Filed: **Feb. 3, 2005**

(51) **LOC (8) Cl.** ..... **07-01**

(52) **U.S. Cl.** ..... **D7/510; D7/533**

(58) **Field of Classification Search** ..... D7/509,  
D7/510, 511, 523, 533, 536, 531, 532; D9/503,  
D9/502, 539, 530, 549, 689, 504, 446, 445,  
D9/525; 220/212, 729, 705, 703, 708, 712,  
220/711, 592.16, 592.17, 719, 603, 715, 713;  
215/395, 388, 12.1, 376, 387, DIG. 7; D24/197,  
D24/199; 229/400

See application file for complete search history.

(56) **References Cited**

**U.S. PATENT DOCUMENTS**

- D230,187 S \* 1/1974 Shultz ..... D26/11
- D383,941 S \* 9/1997 Petrie ..... D7/511
- D388,281 S \* 12/1997 Trombley ..... D7/515
- D398,815 S \* 9/1998 Hatsumoto et al. .... D7/533
- D406,011 S \* 2/1999 Hatsumoto et al. .... D7/510
- D418,013 S \* 12/1999 Fujii ..... D7/510
- D420,254 S \* 2/2000 Park ..... D7/510

- D439,473 S \* 3/2001 Lin ..... D7/510
- D454,756 S \* 3/2002 Janky et al. .... D7/510
- D457,396 S \* 5/2002 Janky et al. .... D7/510
- D457,783 S \* 5/2002 Bodum ..... D7/511
- D462,575 S \* 9/2002 Gluck ..... D7/510
- D467,124 S \* 12/2002 Janky ..... D7/533
- D469,309 S \* 1/2003 Janky ..... D7/510
- D471,763 S \* 3/2003 Hurlbut et al. .... D7/510
- D479,671 S \* 9/2003 Gluck ..... D7/533
- D480,919 S \* 10/2003 Bin ..... D7/533
- D483,997 S \* 12/2003 Copeland ..... D7/536
- D494,011 S \* 8/2004 Janky et al. .... D7/533
- D497,080 S \* 10/2004 Greenspon ..... D7/510
- D498,382 S \* 11/2004 Davis ..... D7/300.1
- D511,653 S \* 11/2005 Oas ..... D7/507
- D513,931 S \* 1/2006 Liu ..... D7/523
- D518,333 S \* 4/2006 Gluck ..... D7/523
- D519,782 S \* 5/2006 Schuler et al. .... D7/509

\* cited by examiner

*Primary Examiner*—M. N. Pandozzi  
(74) *Attorney, Agent, or Firm*—Egbert Law Offices

(57) **CLAIM**

I claim the ornamental design for a mug, as shown and described.

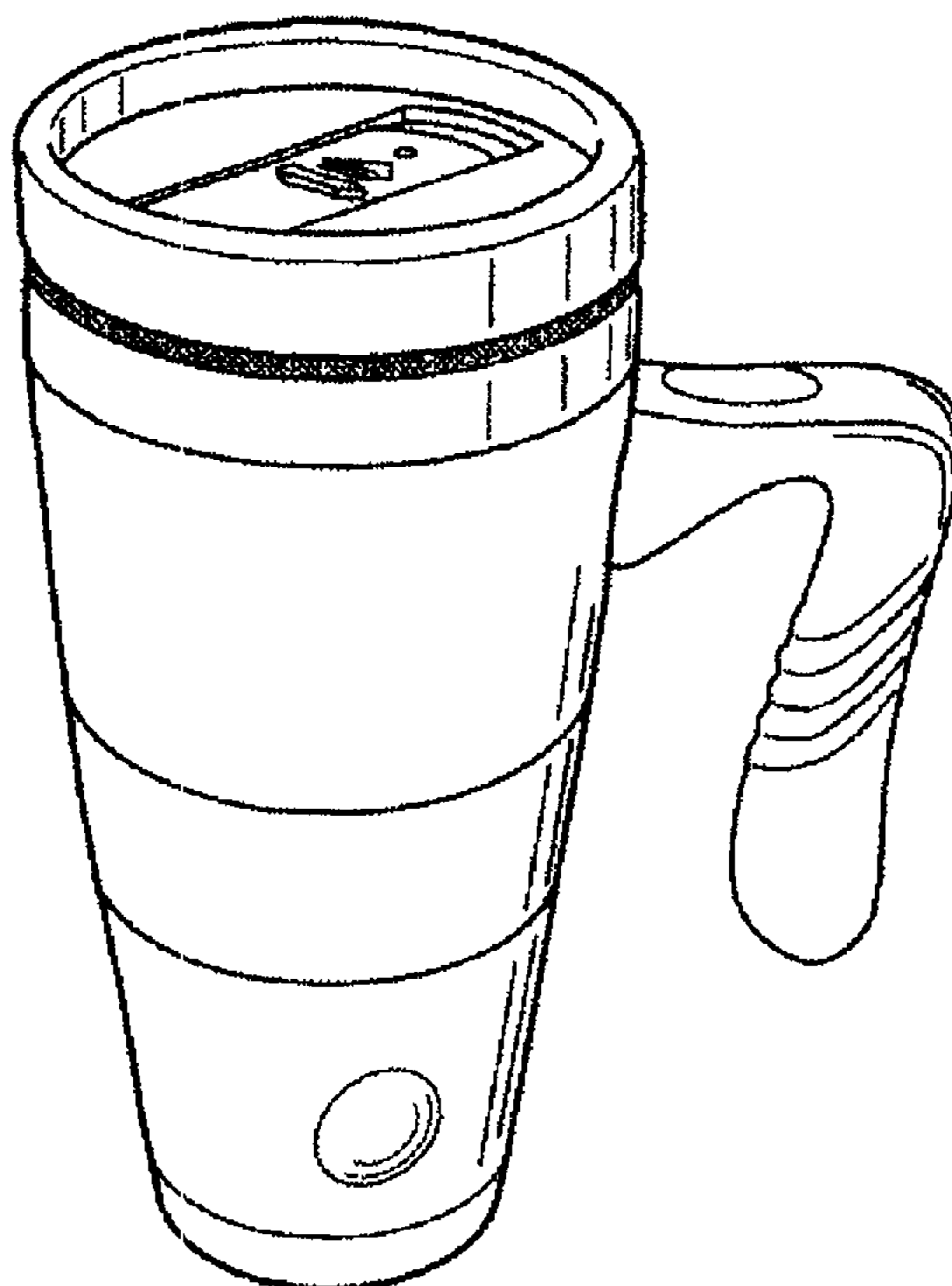
**DESCRIPTION**

FIG. 1 is an upper perspective view of the mug showing my design;

FIG. 2 is a side elevation view thereof; and,

FIG. 3 is a top plan view thereof.

**1 Claim, 1 Drawing Sheet**



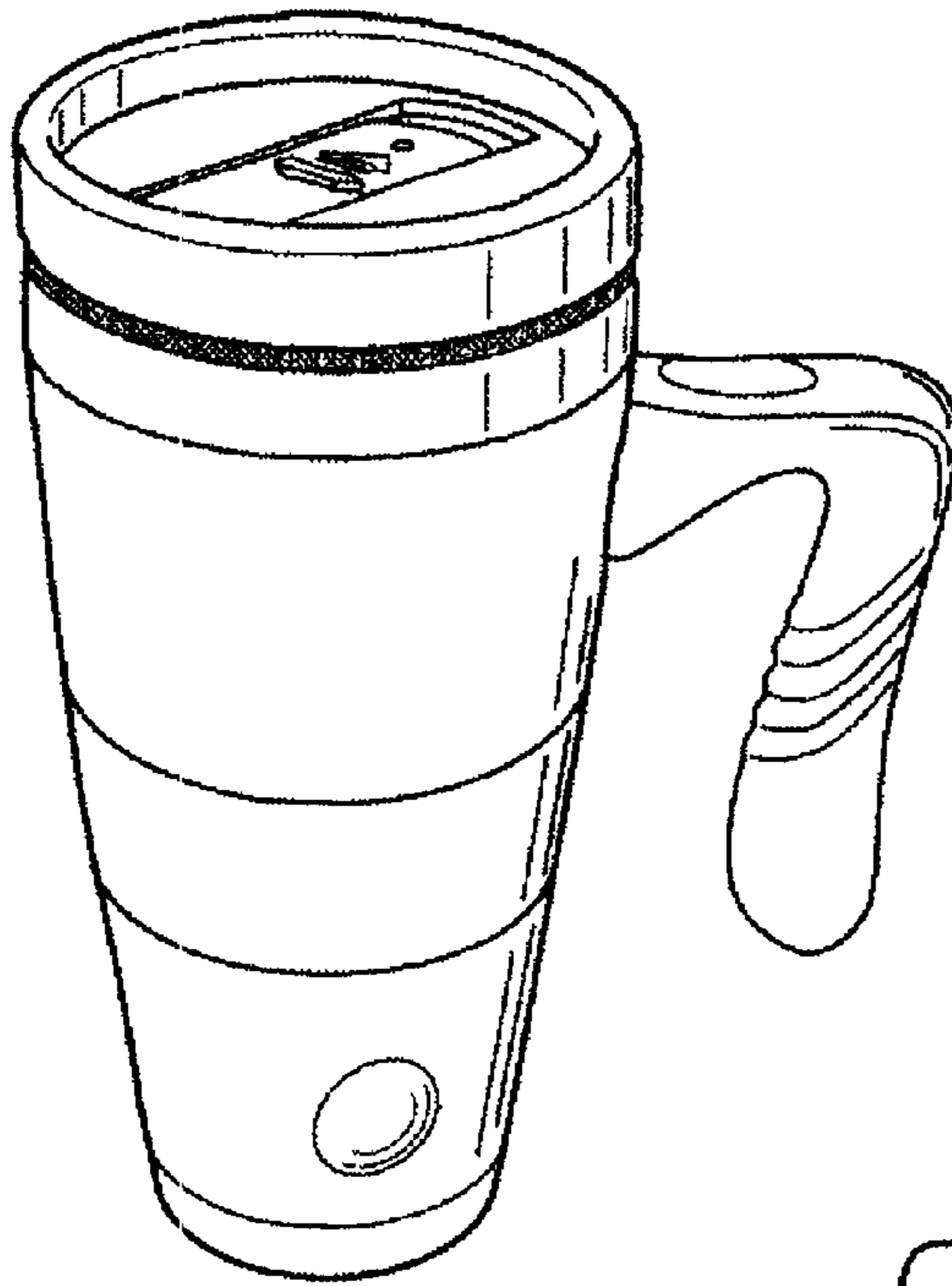


Fig.1

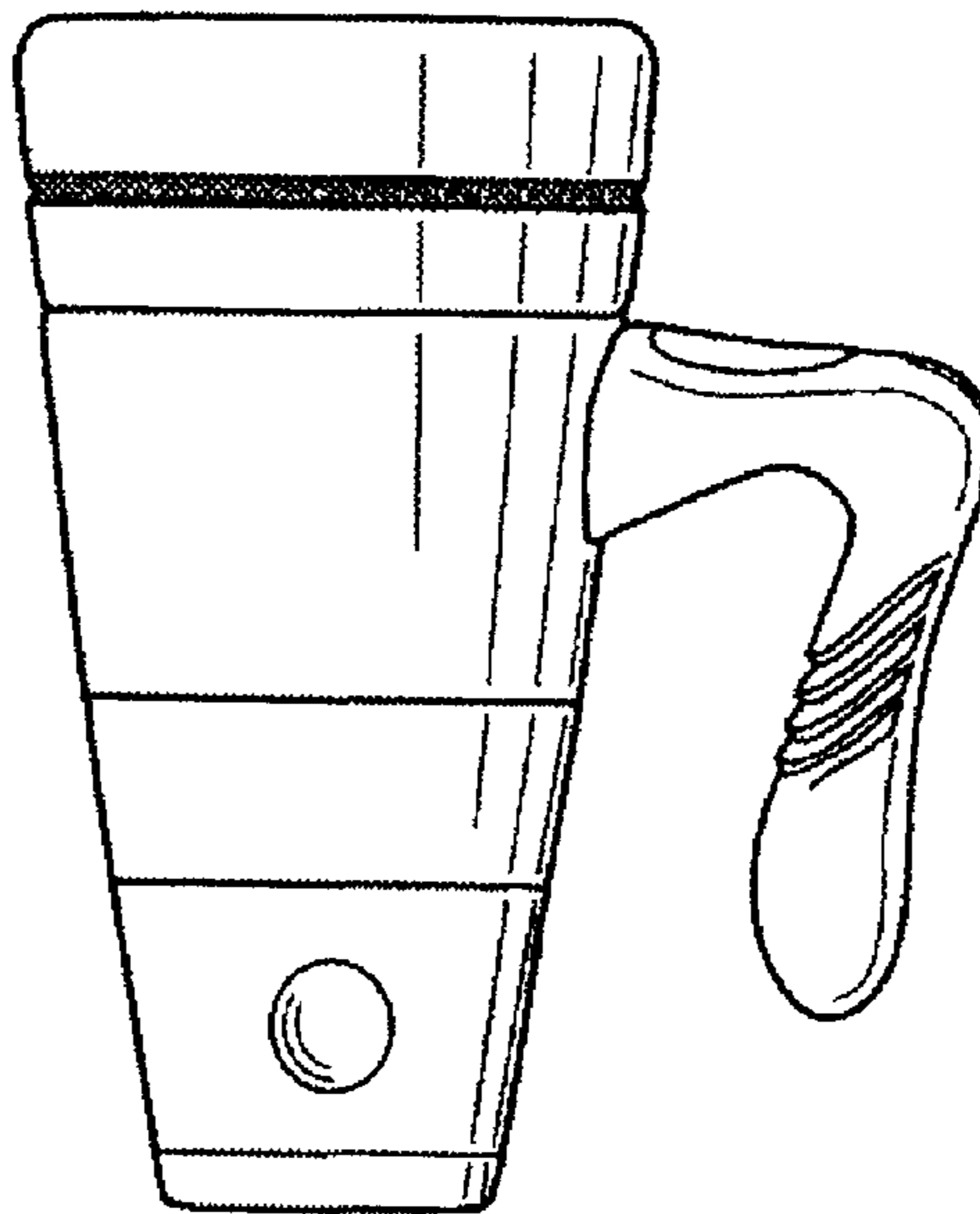


Fig.2

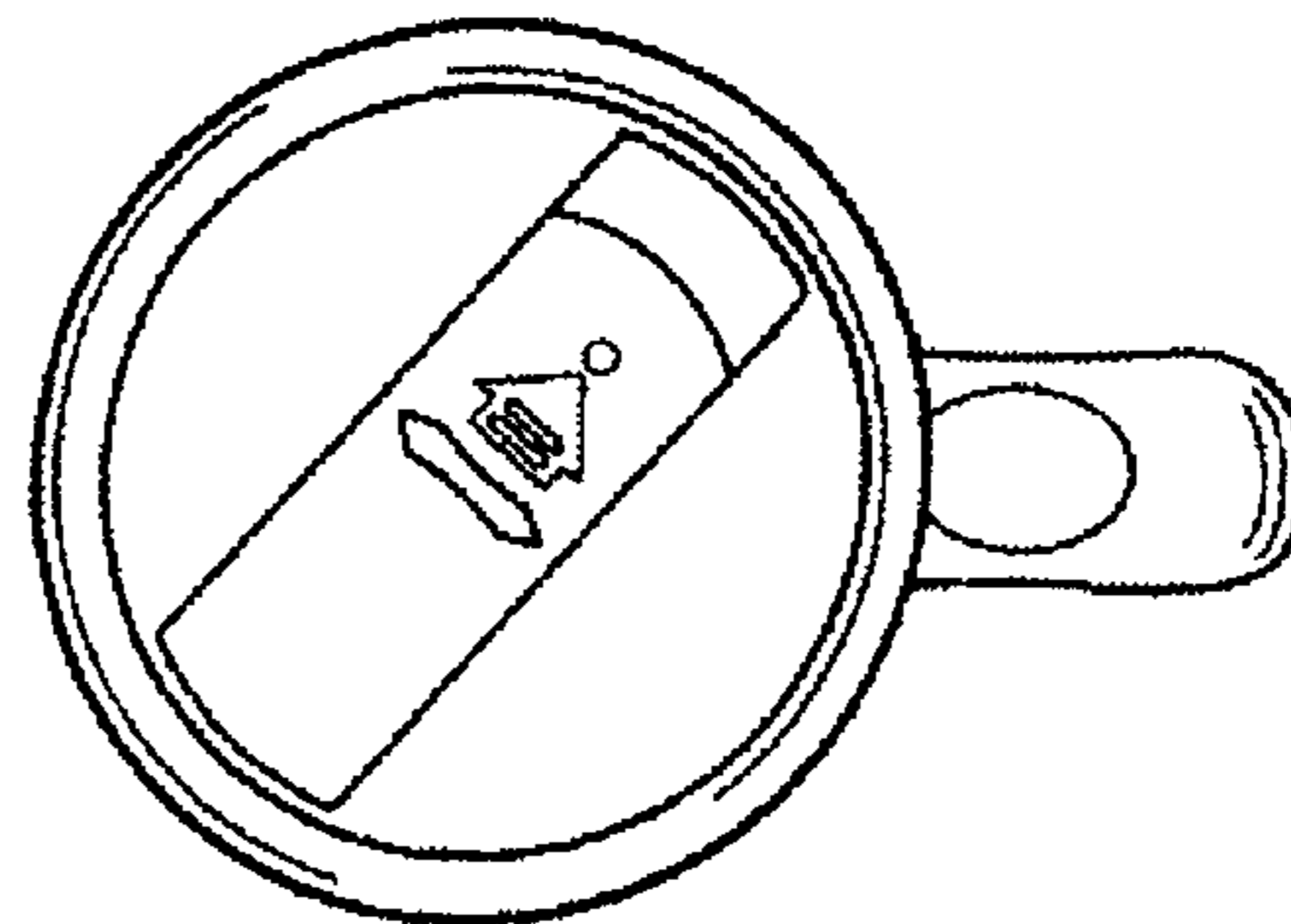


Fig.3