



US00D541104S

(12) **United States Design Patent**
Barber

(10) **Patent No.:** **US D541,104 S**

(45) **Date of Patent:** **** Apr. 24, 2007**

- (54) **GRIP FOR COOKING UTENSILS**
- (75) Inventor: **Thomas Barber**, Redondo Beach, CA (US)
- (73) Assignee: **Bradshaw International, Inc.**, Rancho Cucamonga, CA (US)
- (**) Term: **14 Years**
- (21) Appl. No.: **29/202,913**
- (22) Filed: **Apr. 7, 2004**
- (51) **LOC (8) Cl.** **07-02**
- (52) **U.S. Cl.** **D7/393**
- (58) **Field of Classification Search** D7/354, D7/355-361, 393-395, 401.2, 543; 16/430, 16/431, 110.1, 443, 444, 446; 220/573.1-573.5, 220/574, 575, 752, 753, 755, 756, 912; D1/127, D1/130; D20/28; D3/246; D28/8.1
See application file for complete search history.

- D442,304 S * 5/2001 Huang D26/28
- D477,367 S * 7/2003 Gaines et al. D20/17
- D484,690 S * 1/2004 Vazquez D3/238

* cited by examiner

Primary Examiner—Holly H. Baynham
Assistant Examiner—Cynthia M. Chin
 (74) *Attorney, Agent, or Firm*—Birch, Stewart, Kolasch & Birch, LLP

(57) **CLAIM**

A grip for cooking utensils, as shown and described.

DESCRIPTION

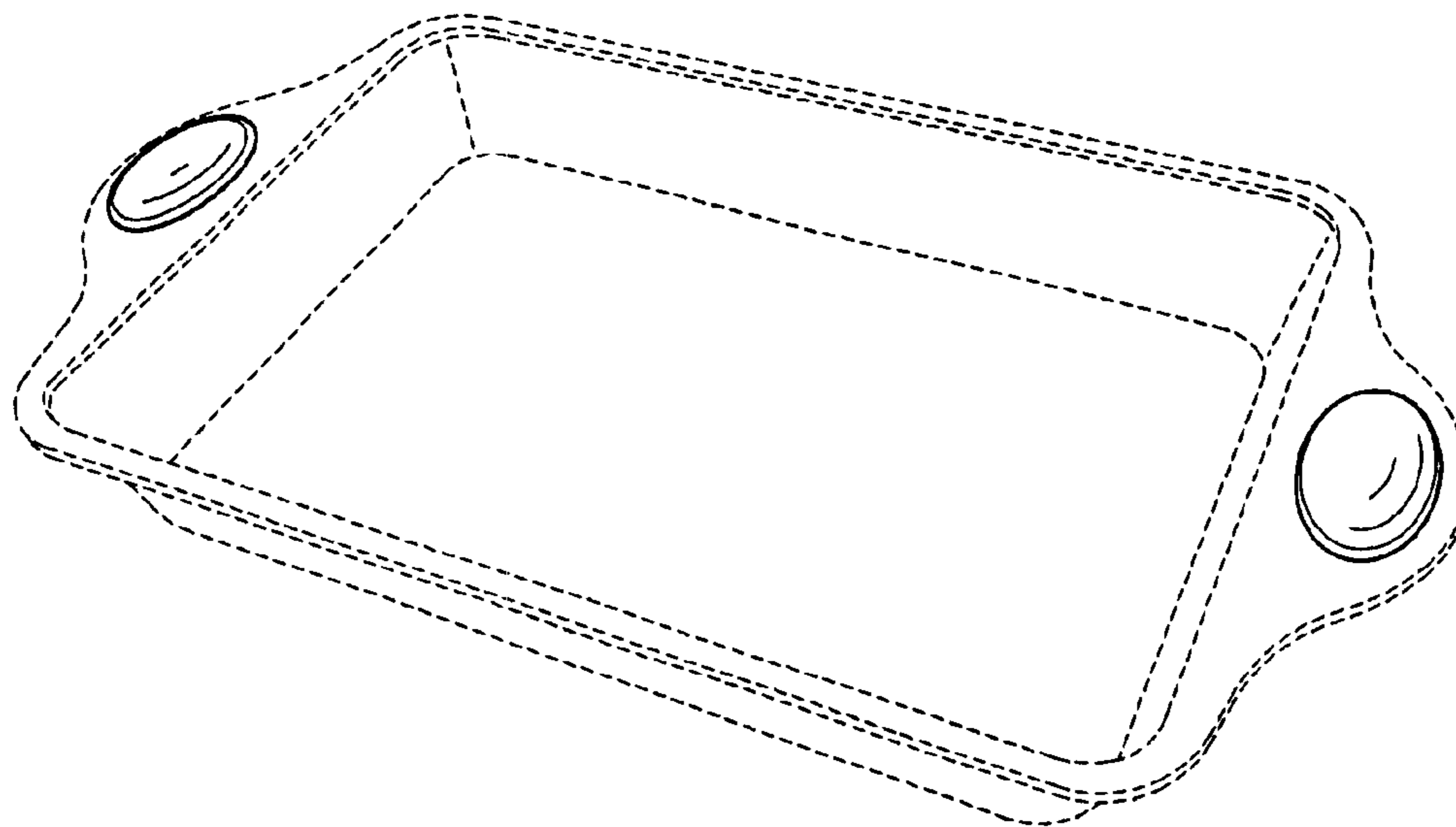
FIG. 1 is a top perspective view showing a grip for cooking utensils in accordance with the present invention mounted in each handle of a first representative cooking utensil; FIG. 2 is a top plan view of the grip and utensil of FIG. 1; FIG. 3 is a side elevational view thereof; FIG. 4 is an end elevational view thereof; FIG. 5 is a bottom plan view thereof; and FIG. 6 is second top perspective environmental view; FIG. 7 is a third top perspective environmental view; FIG. 8 is a fourth top perspective environmental view; and, FIG. 9 is a fifth top perspective environmental view. The broken lines are for illustrative purposes only and form no part of the claimed design.

(56) **References Cited**

U.S. PATENT DOCUMENTS

- 676,799 A * 6/1901 McLoughlin 206/526
- D162,354 S * 3/1951 Smith D20/10
- D286,399 S * 10/1986 Willy D14/222
- D372,286 S * 7/1996 Fortini D21/753
- D378,578 S * 3/1997 Eberhardt D10/104

1 Claim, 3 Drawing Sheets



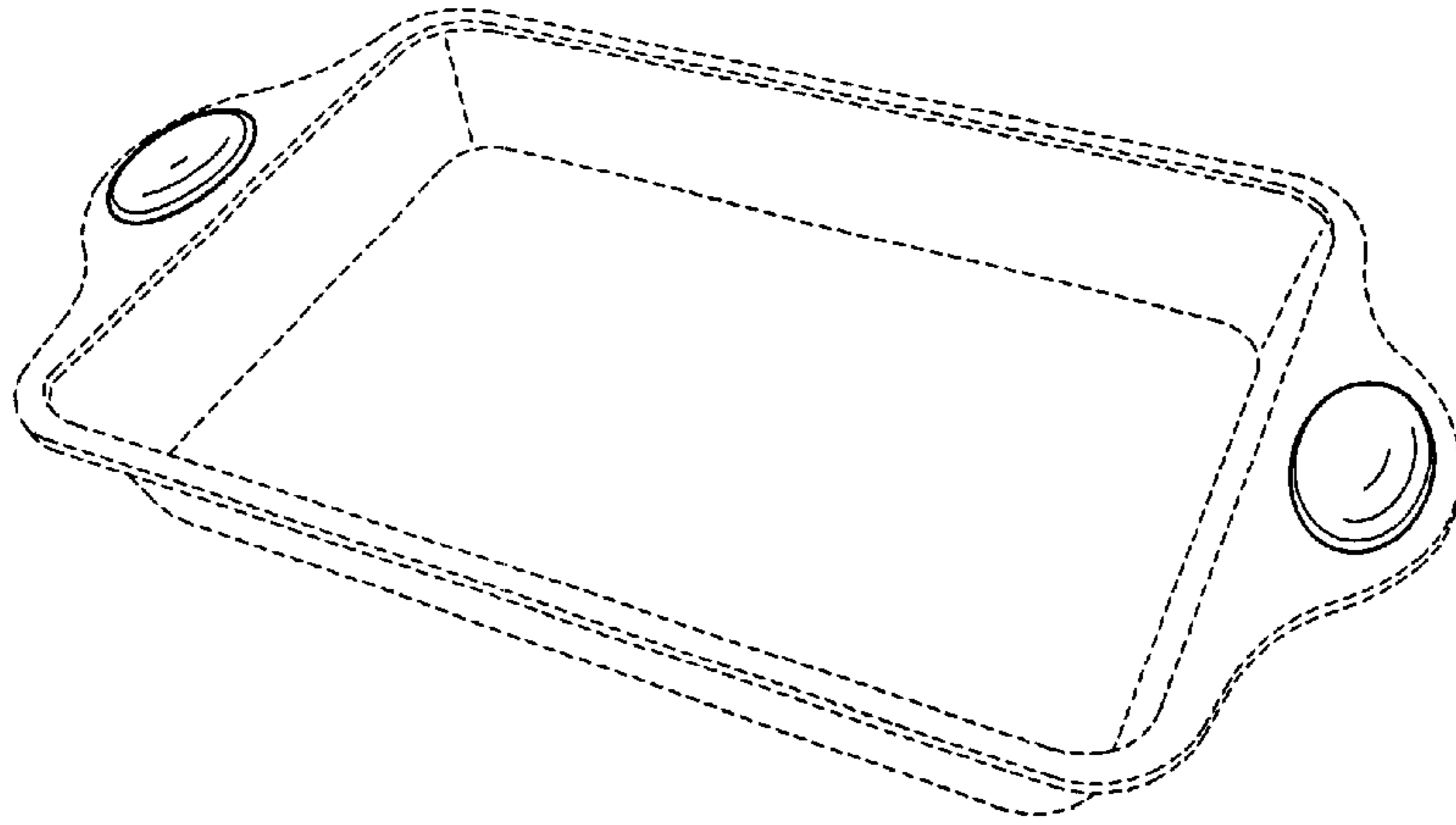


FIG. 1

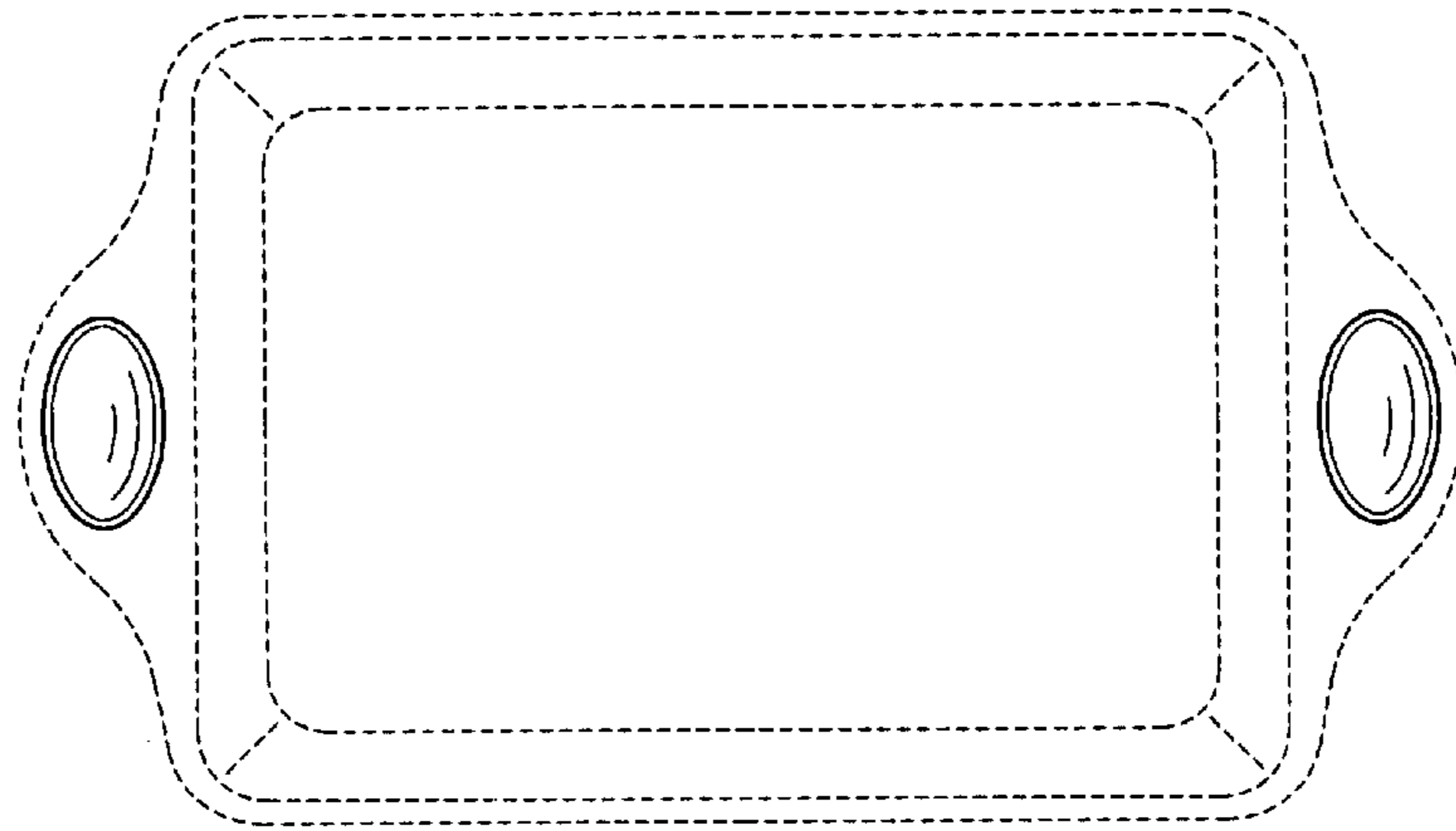


FIG. 2

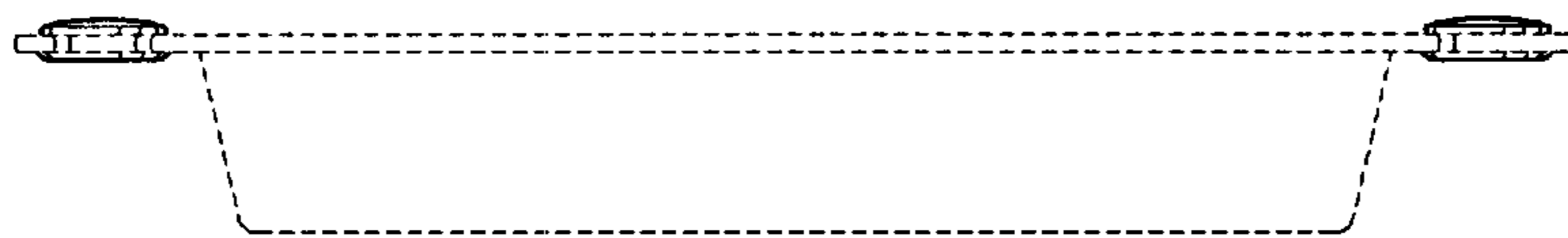


FIG. 3

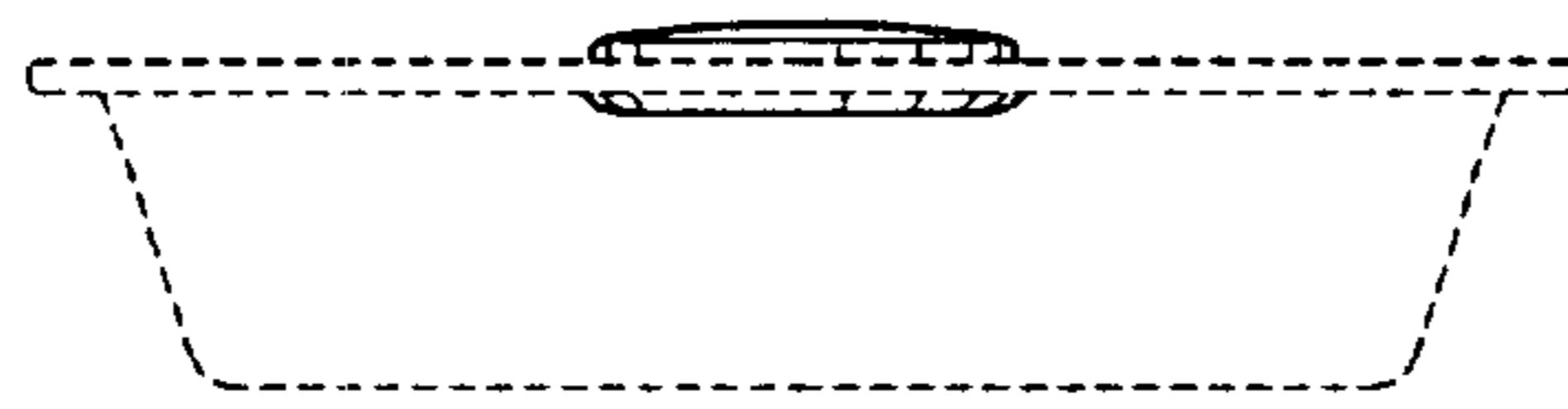


FIG. 4



FIG. 5

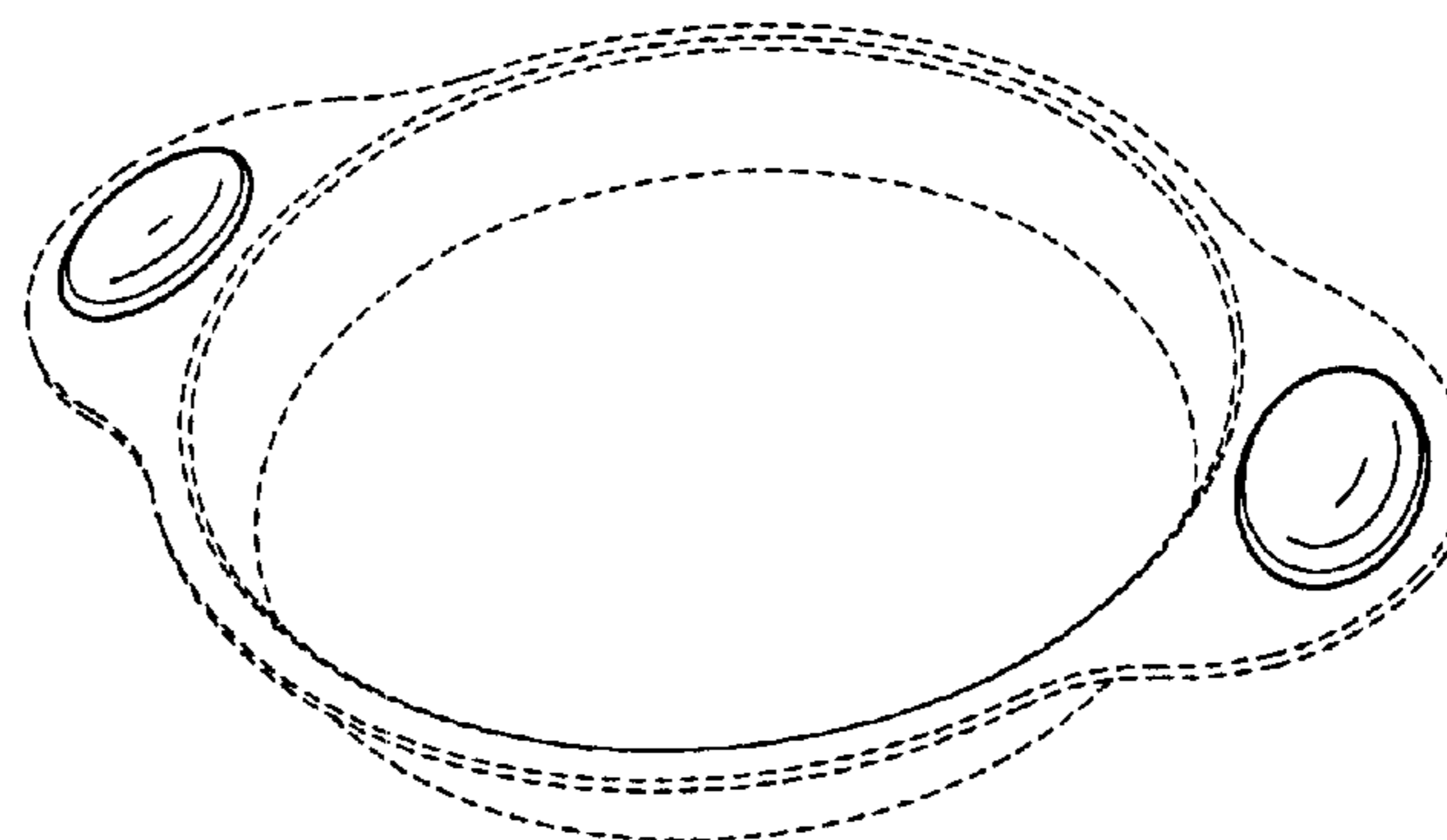


FIG. 6

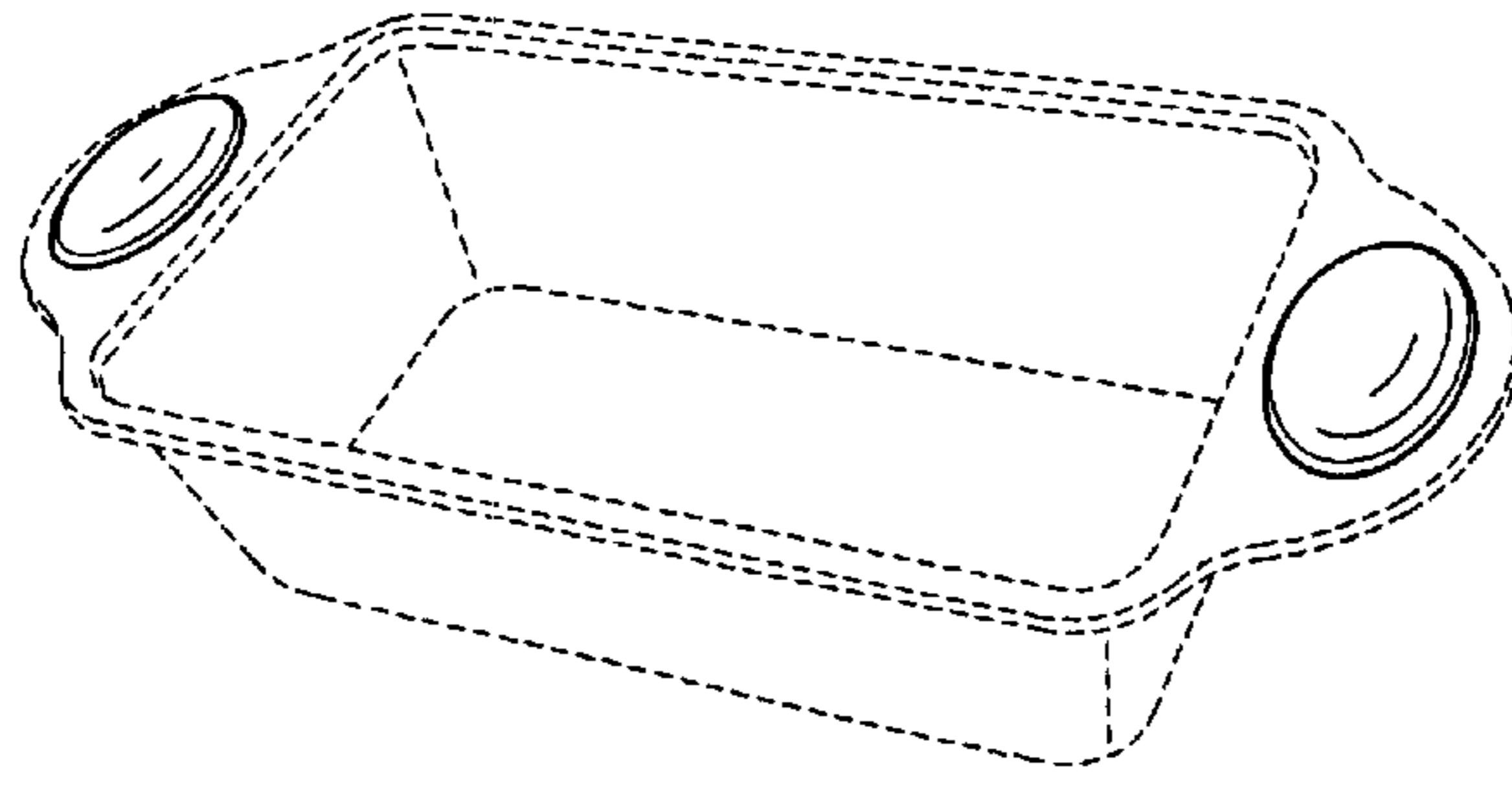


FIG. 7

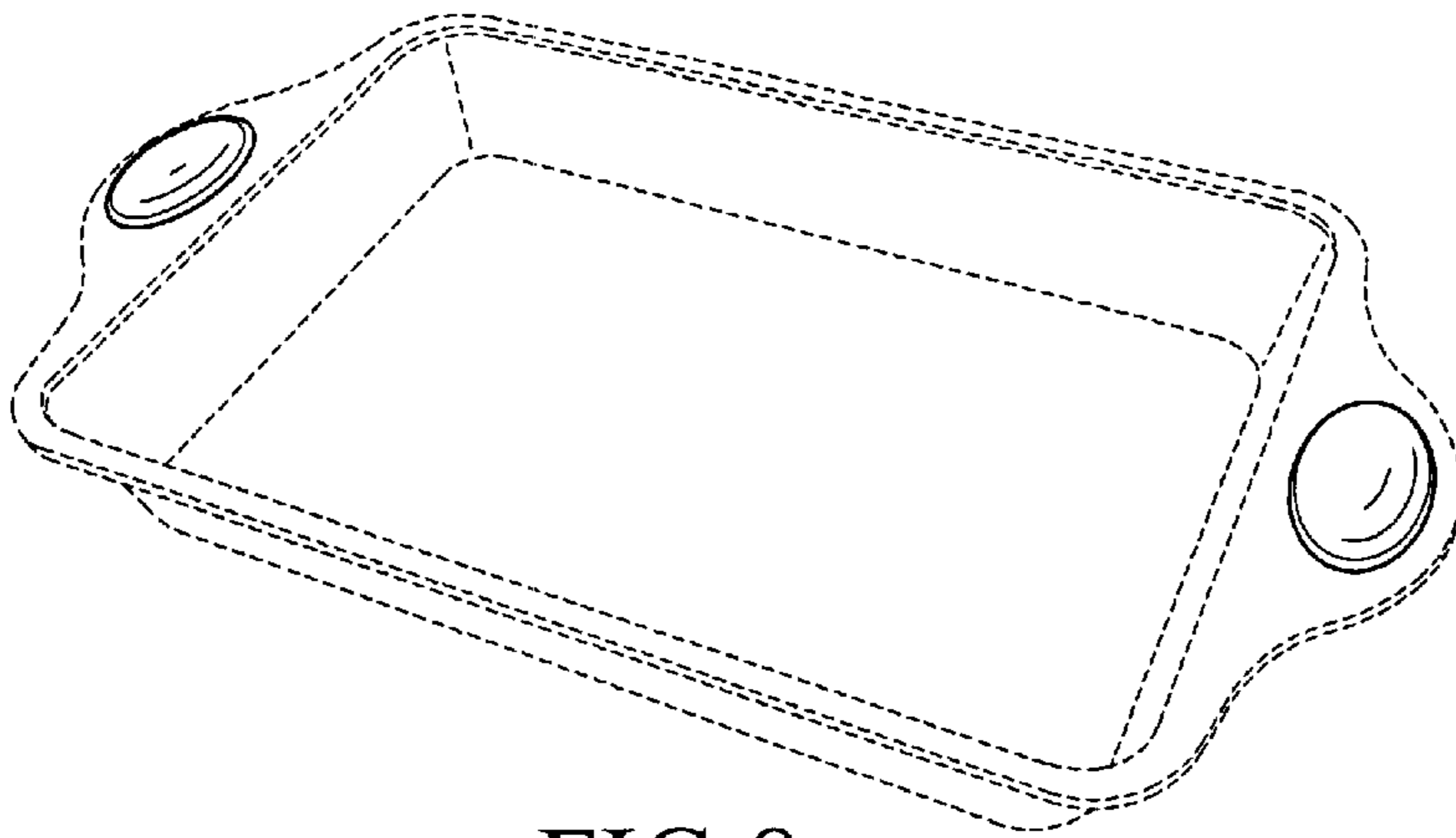


FIG. 8

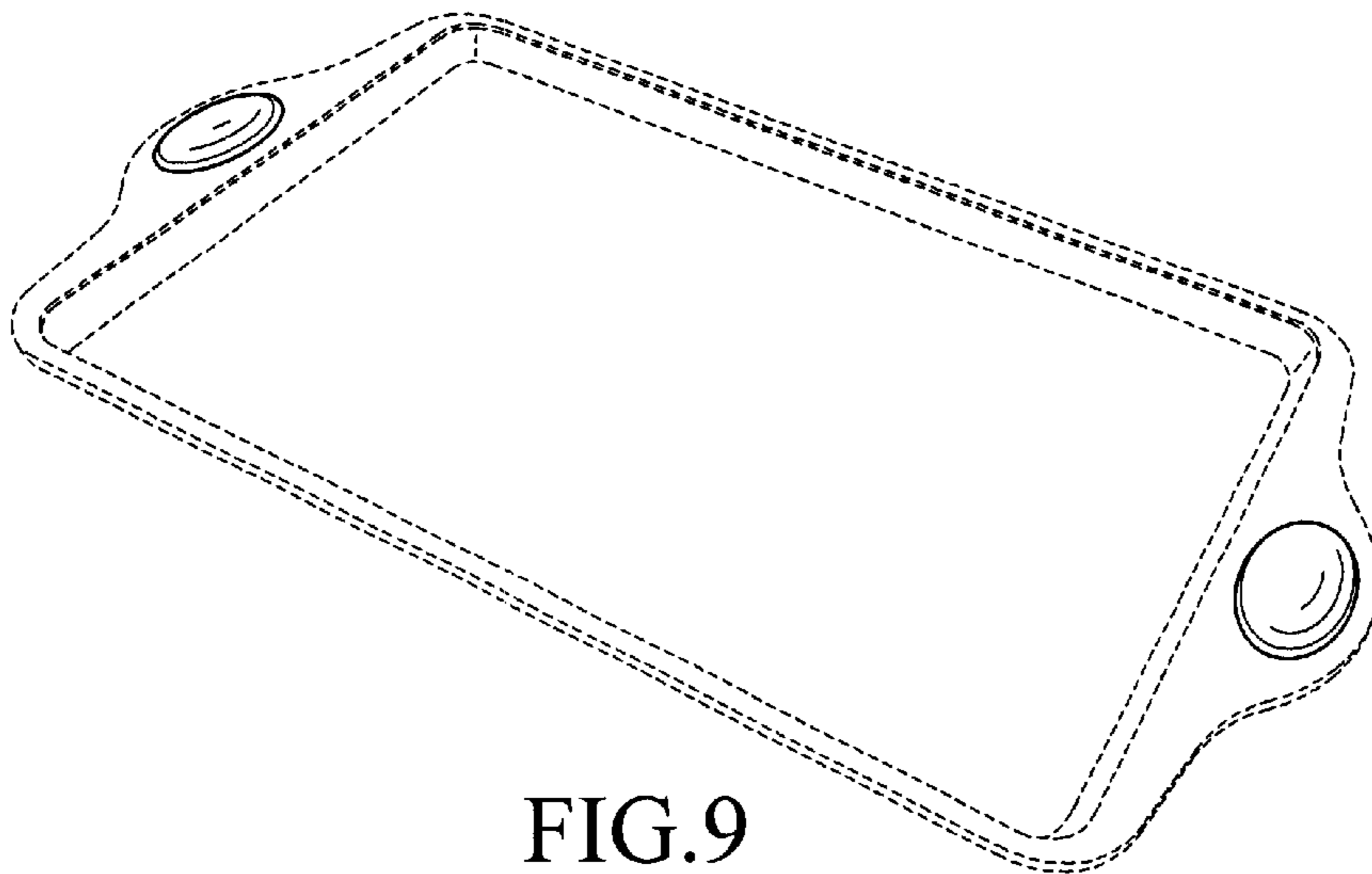


FIG. 9