

US00D541101S

(12) **United States Design Patent**
Ritterling

(10) **Patent No.:** **US D541,101 S**

(45) **Date of Patent:** **** Apr. 24, 2007**

(54) **MODULAR GRILL**

(75) Inventor: **Douglas K. Ritterling**, Anderson, SC (US)

(73) Assignee: **Electrolux Home Products, Inc.**, Cleveland, OH (US)

(**) Term: **14 Years**

(21) Appl. No.: **29/226,099**

(22) Filed: **Mar. 24, 2005**

(51) **LOC (8) Cl.** **07-02**

(52) **U.S. Cl.** **D7/332**

(58) **Field of Classification Search** D7/332-338, D7/339-340, 347-348, 402-405; 99/339-340, 99/420, 421 A, 421 H, 421 M, 422, 423, 99/427, 443 C, 441, 443 R, 445, 447-448, 99/482, 450; 126/4, 9 R, 25 R, 25 A, 25 AA, 126/37 R, 37 B, 40, 41 R, 50, 276; D23/286
See application file for complete search history.

(56) **References Cited**

U.S. PATENT DOCUMENTS

2,584,187 A 2/1952 Crist

(Continued)

OTHER PUBLICATIONS

“TEC Sterling g-2000 gas grill islands”, www.outdoorditchensdepot.com/tec-sterling-g2000-grill-islands.asp, copyright 2001, 5 pages.

(Continued)

Primary Examiner—Ruth McInroy

(74) *Attorney, Agent, or Firm*—Pearne & Gordon LLP

(57) **CLAIM**

I claim the ornamental design for a modular grill, as shown and described.

DESCRIPTION

FIG. 1 is an upper right perspective view of my new design for a modular grill in accordance with the present invention;

FIG. 2 is a front elevational view of the modular grill of FIG. 1;

FIG. 3 is a rear elevational view of the modular grill of FIG. 1;

FIG. 4 is a left side elevational view of the modular grill of FIG. 1;

FIG. 5 is a right side elevational view of the modular grill of FIG. 1;

FIG. 6 is a top view of the modular grill of FIG. 1;

FIG. 7 is a bottom view of the modular grill of FIG. 1;

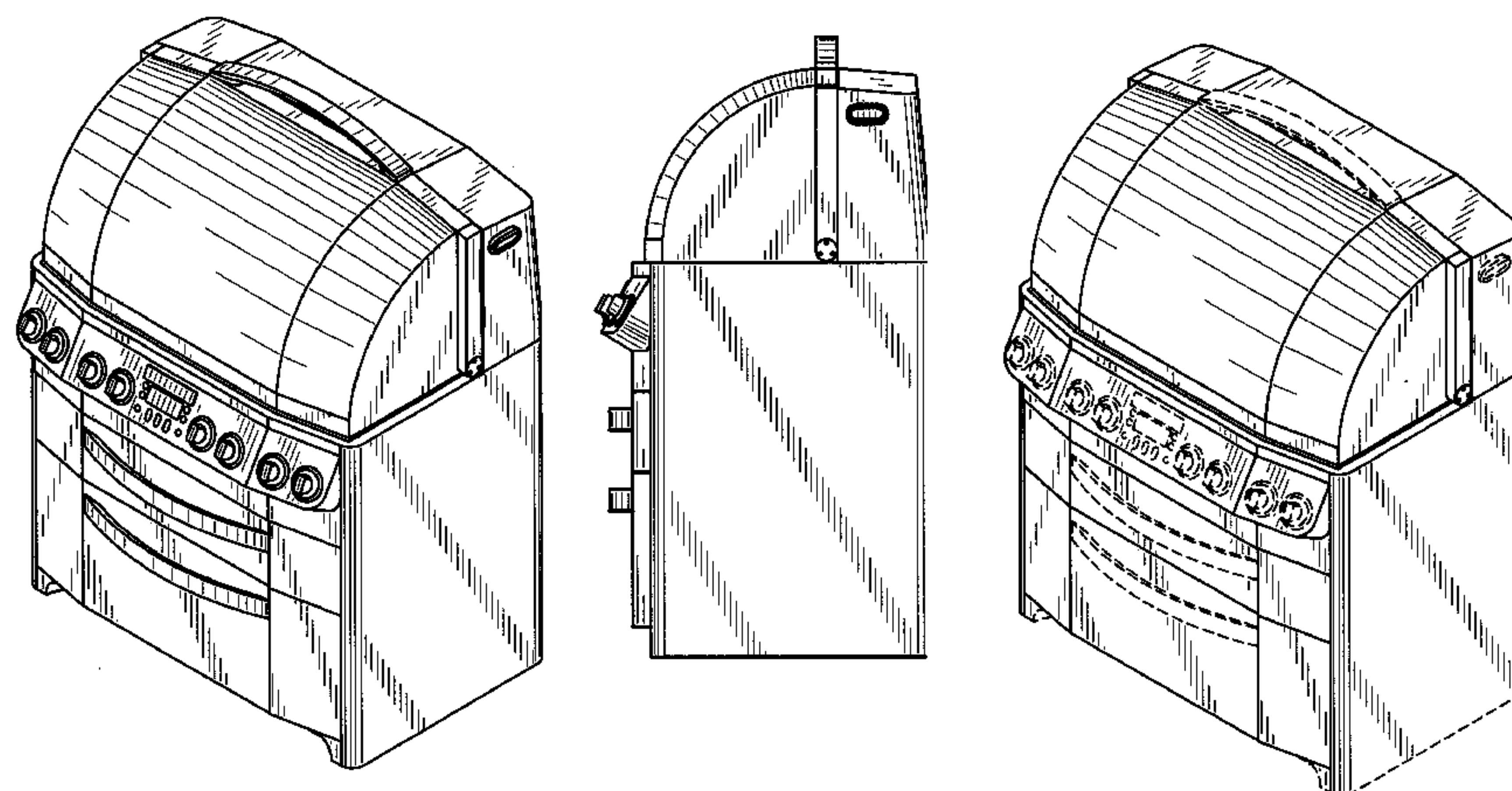
FIG. 8 is an upper right perspective view of my new design for an modular grill identical to FIG. 1 except that further aspects are not claimed and appear in broken lines without shading, wherein the front elevational view, rear elevational view, left side elevational view, right side elevational view, top view and bottom view would also appear identical to FIGS. 2-7 respectively, accept that the further aspects would similarly appear in broken lines without shading;

FIG. 9 is an upper right perspective view of my new design for an modular grill identical to FIG. 1 except that further aspects are not claimed and appear in broken lines without shading, wherein the front elevational view, rear elevational view, left side elevational view, right side elevational view, top view and bottom view would also appear identical to FIGS. 2-7 respectively, accept that the further aspects would similarly appear in broken lines without shading; and

FIG. 10 is an upper right perspective view of my new design for an modular grill identical to FIG. 1 except that further aspects are not claimed and appear in broken lines without shading, wherein the front elevational view, rear elevational view, left side elevational view, right side elevational view, top view and bottom view would also appear identical to FIGS. 2-7 respectively, accept that the further aspects would similarly appear in broken lines without shading.

The broken lines in FIGS. 8-10 are for illustrative purposes only and form no part of the claimed design. The unshaded area in FIG. 7-10 likewise form no part of the claimed design.

1 Claim, 9 Drawing Sheets



US D541,101 S

Page 2

U.S. PATENT DOCUMENTS

2,693,750 A 11/1954 Badenoch
2,815,707 A 12/1957 Morrow
3,019,720 A 2/1962 Topper
3,263,593 A 8/1966 Appleman
3,289,664 A 12/1966 Hewitt
3,343,527 A 9/1967 Manteris
3,442,201 A 5/1969 Kates
3,665,913 A 5/1972 Cagle, Jr.
3,789,822 A 2/1974 Schantz
3,866,994 A 2/1975 Bonin
4,082,391 A 4/1978 Turner
4,106,473 A 8/1978 Wandel
4,108,055 A 8/1978 Simmons
D254,468 S 3/1980 Cox
4,321,857 A 3/1982 Best
4,895,068 A 1/1990 Hanagan et al.
4,996,969 A 3/1991 Dodgen
5,031,602 A 7/1991 Vick
5,097,817 A 3/1992 Dodgen
5,213,027 A 5/1993 Tsotsos et al.
5,410,950 A 5/1995 Rone
5,419,249 A 5/1995 Papandrea
D409,435 S 5/1999 Husted
D411,779 S * 7/1999 Husted D7/332
6,038,965 A 3/2000 Thorndyke
6,131,505 A 10/2000 Lin
D437,176 S 2/2001 Bullard
6,248,982 B1 6/2001 Reid et al.
6,308,616 B1 10/2001 Johnson
D462,227 S 9/2002 Alden et al.
6,508,165 B2 1/2003 Johnson

D470,357 S * 2/2003 Home D7/334
D471,057 S 3/2003 Chung
D471,755 S 3/2003 Wilgus et al.
D472,756 S 4/2003 Pai
D475,552 S 6/2003 Thompson
D476,188 S 6/2003 Wood
6,598,514 B2 7/2003 Leggi
6,626,089 B1 9/2003 Hubert
D485,467 S 1/2004 Pai
D489,222 S * 5/2004 Pai D7/334
D503,065 S * 3/2005 Pai D7/334
D521,308 S * 5/2006 Tseng D7/334
2004/0065313 A1 4/2004 Thompson

OTHER PUBLICATIONS

“TEC Sterling G3000 Grill Islands”, www.outdoorkitchensdepot.com/tec-sterling-g3000-grill-islands.asp, copyright 2001, 5 pages.
“TEC Sterling G4000 Grill Islands”, www.outdoorkitchensdepot.com/tec-sterling-g4000-grill-islands.asp, copyright 2001, 5 pages.
“TEC Sterling II Grill Islands”, www.outdoorkitchensdepot.com/tec-sterling-II-grill-islands.asp, copyright 2001, 4 pages.
“TEC Sterling III Grill Islands”, www.outdoorkitchensdepot.com/tec-sterling-III-grill-islands.asp, copyright 2001, 4 pages.
U.S. Appl. No. 29/226,098, filed Mar. 24, 2005.
U.S. Appl. No. 29/226,155, filed Mar. 24, 2005.
U.S. Appl. No. 29/226,102, filed Mar. 24, 2005.

* cited by examiner

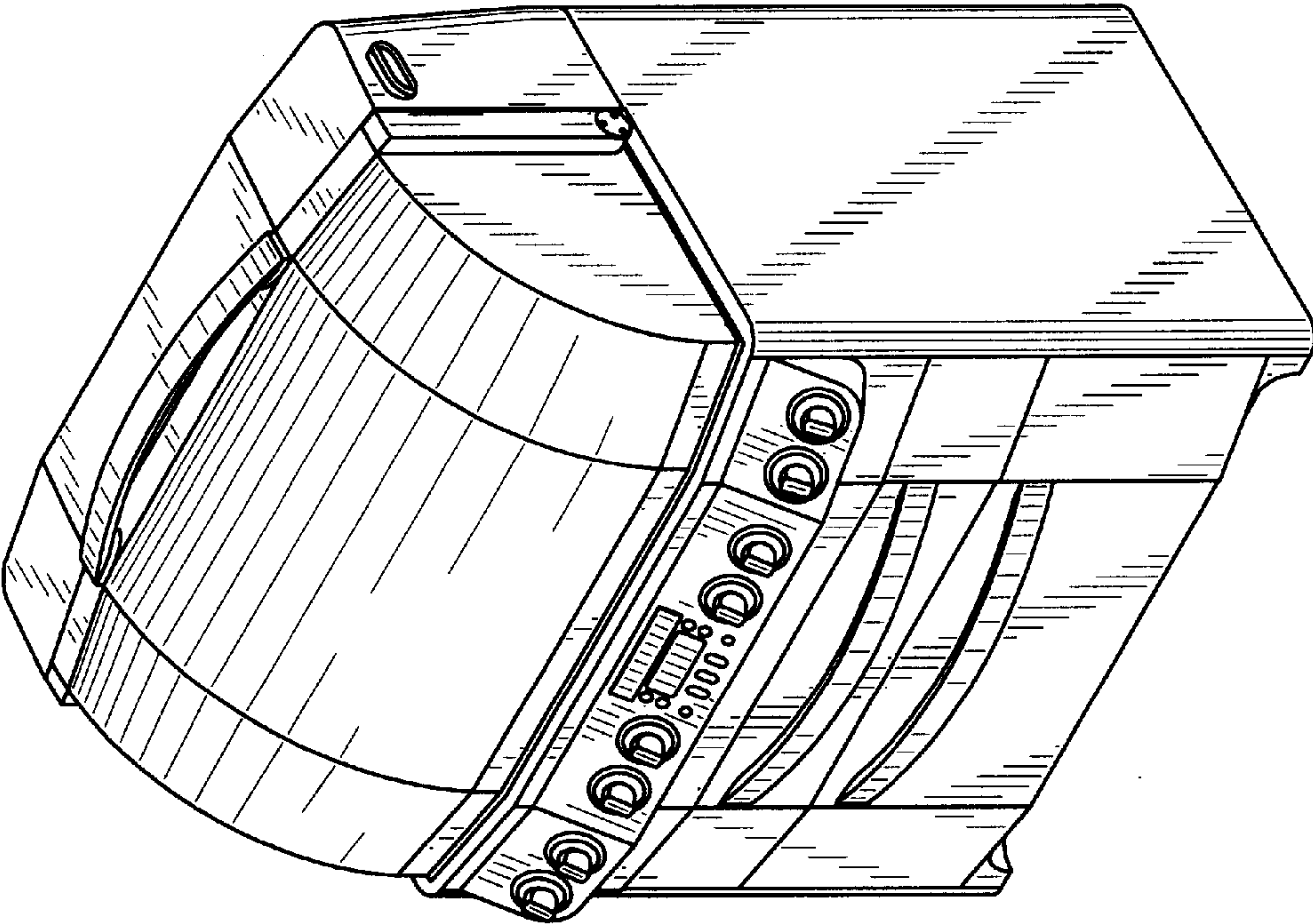


FIG. 1

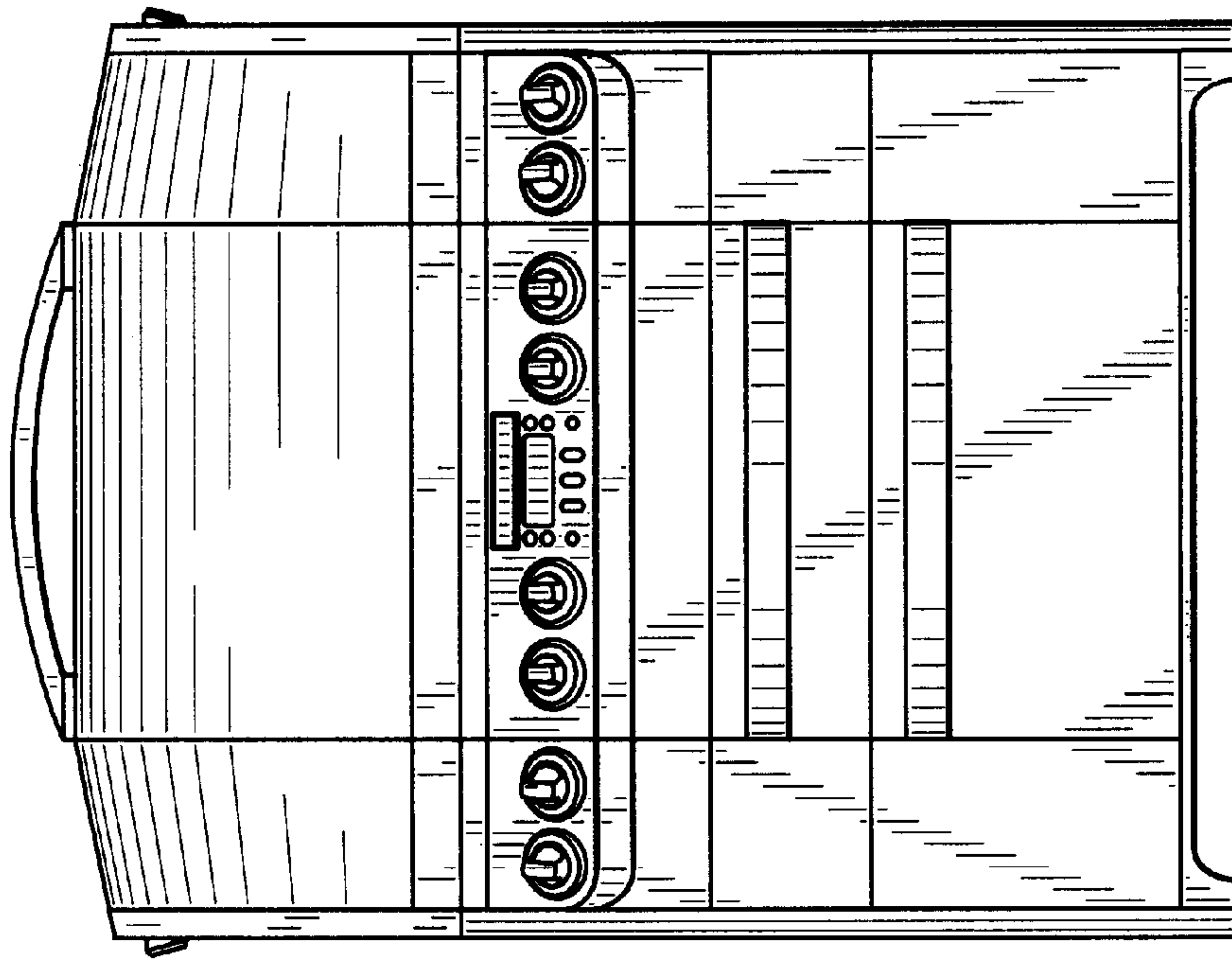


FIG. 2

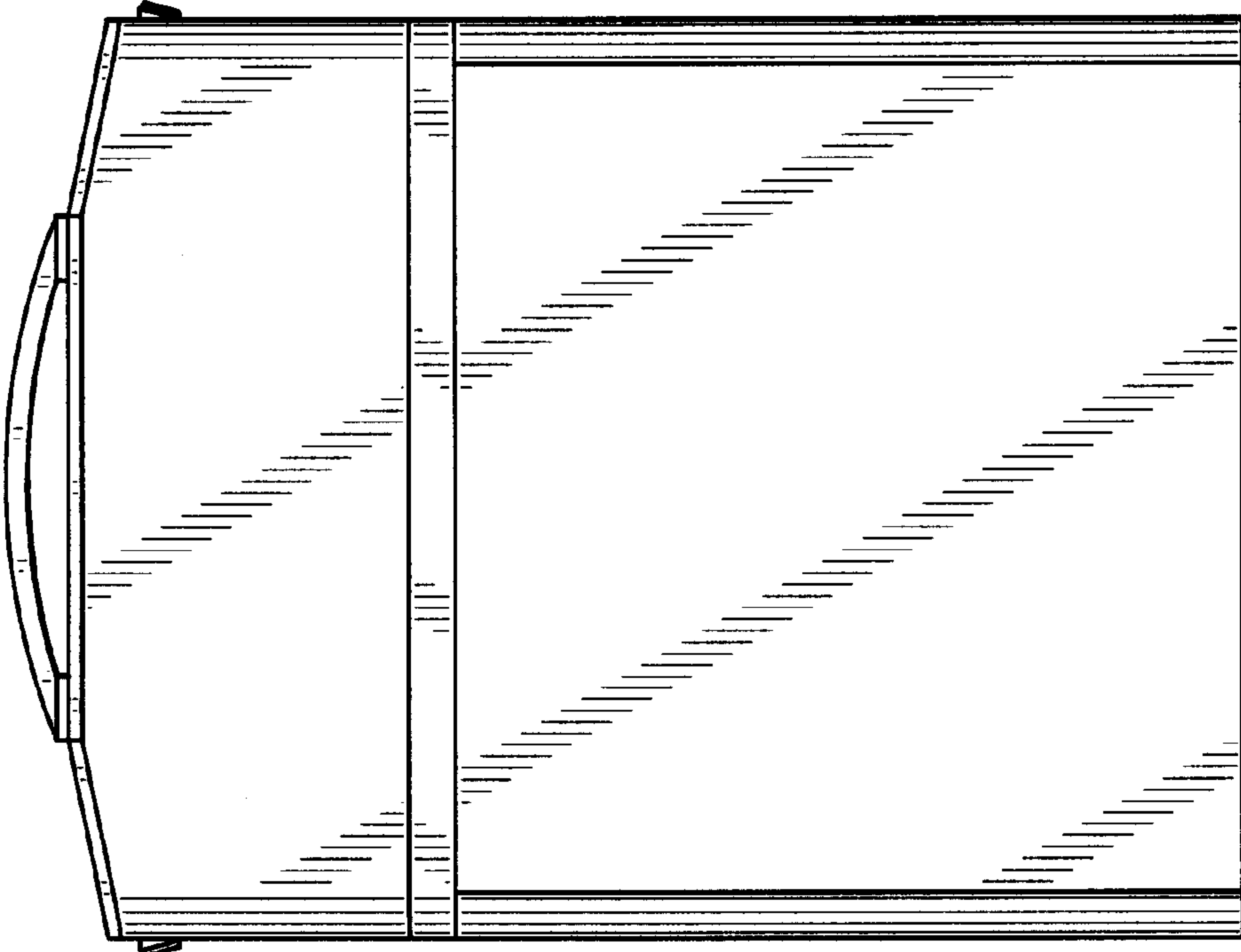


FIG. 3

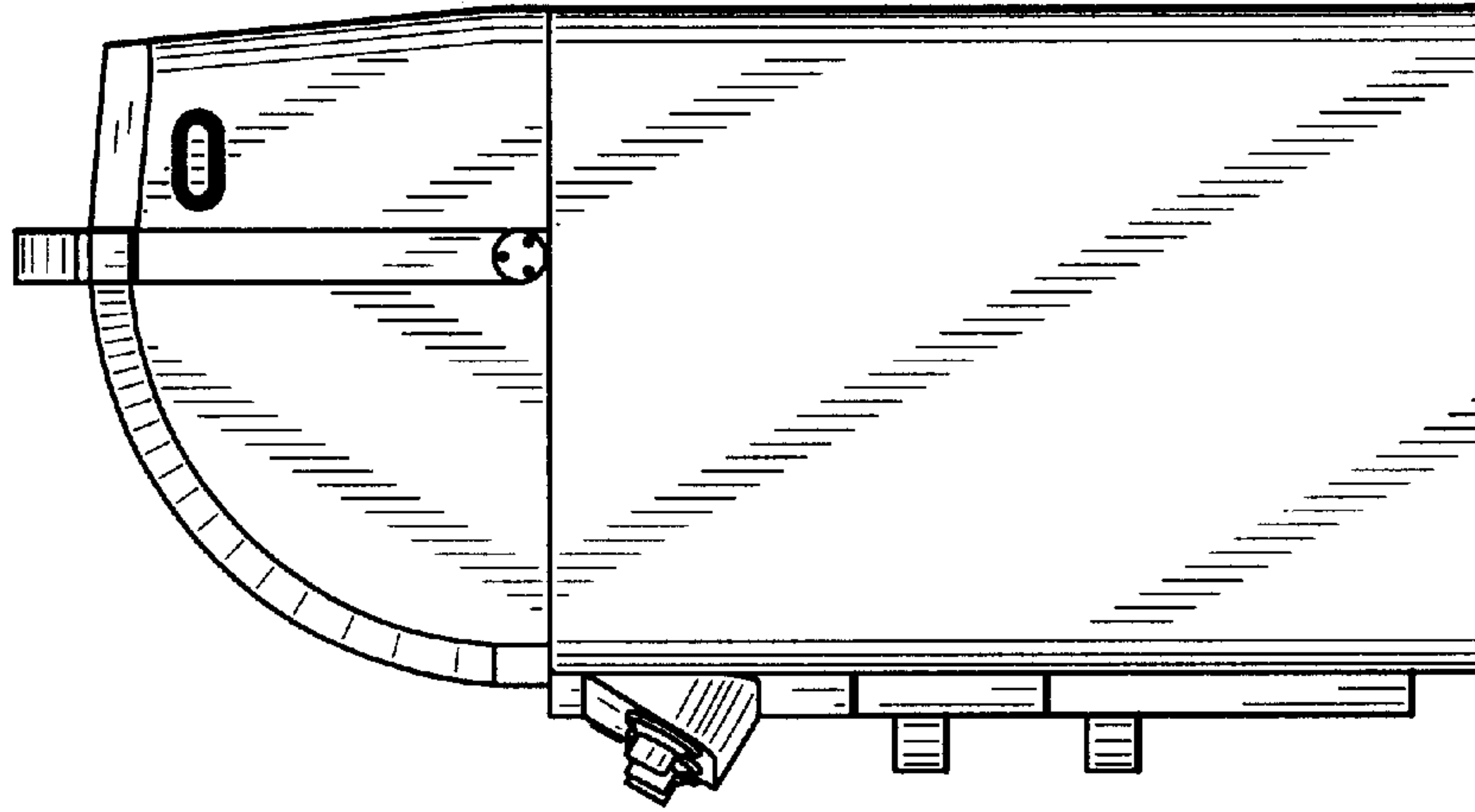


FIG. 5

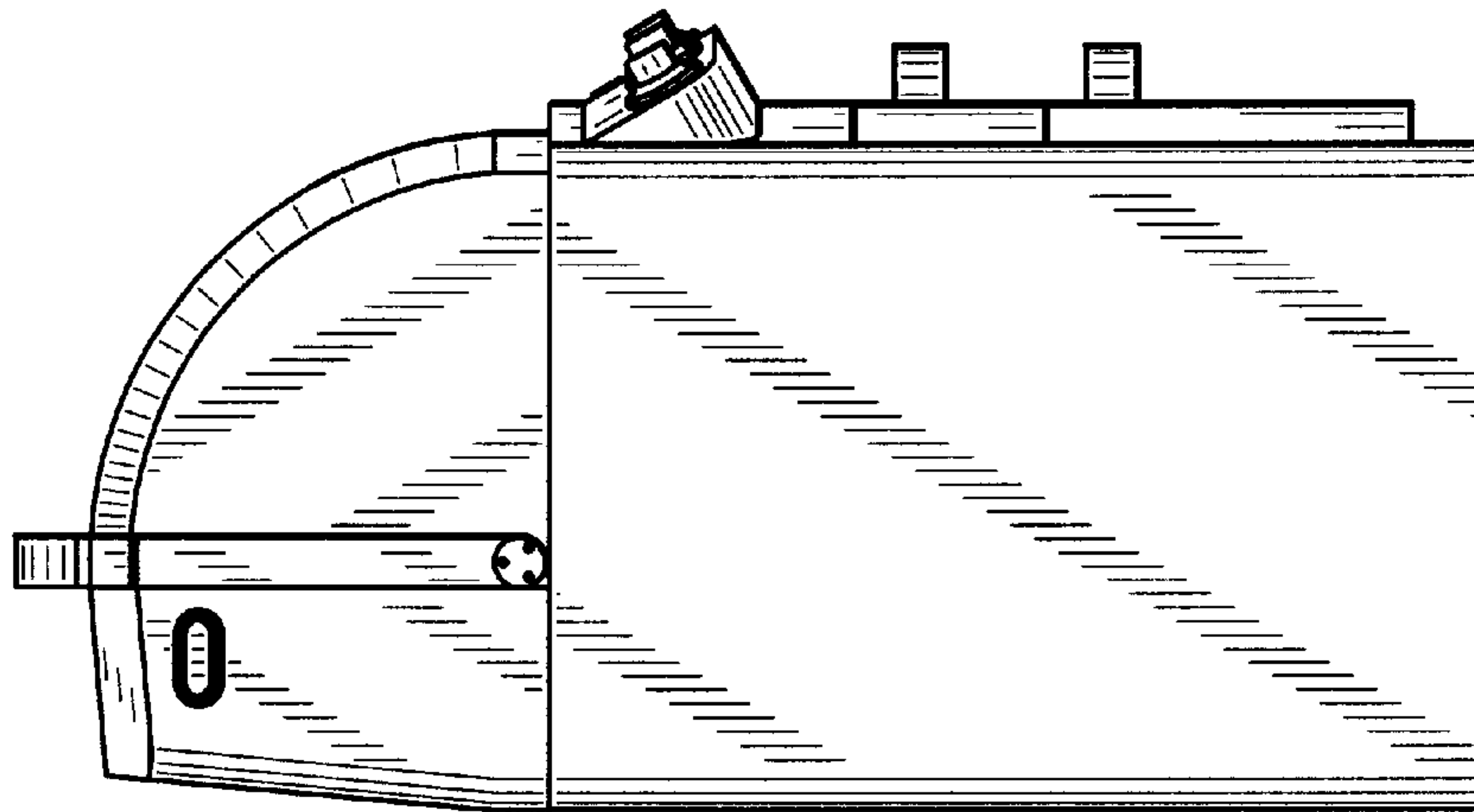


FIG. 4

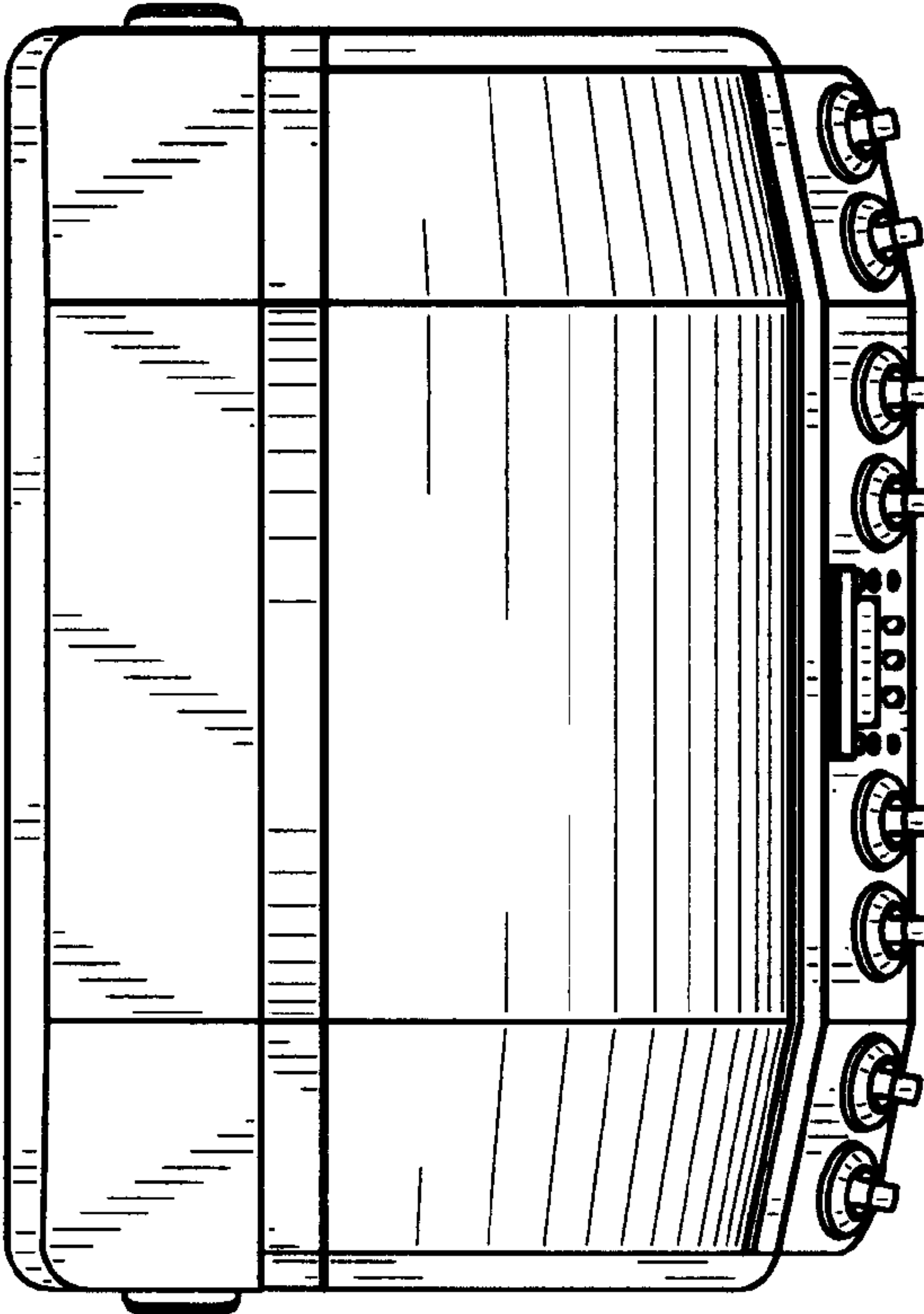


FIG. 6

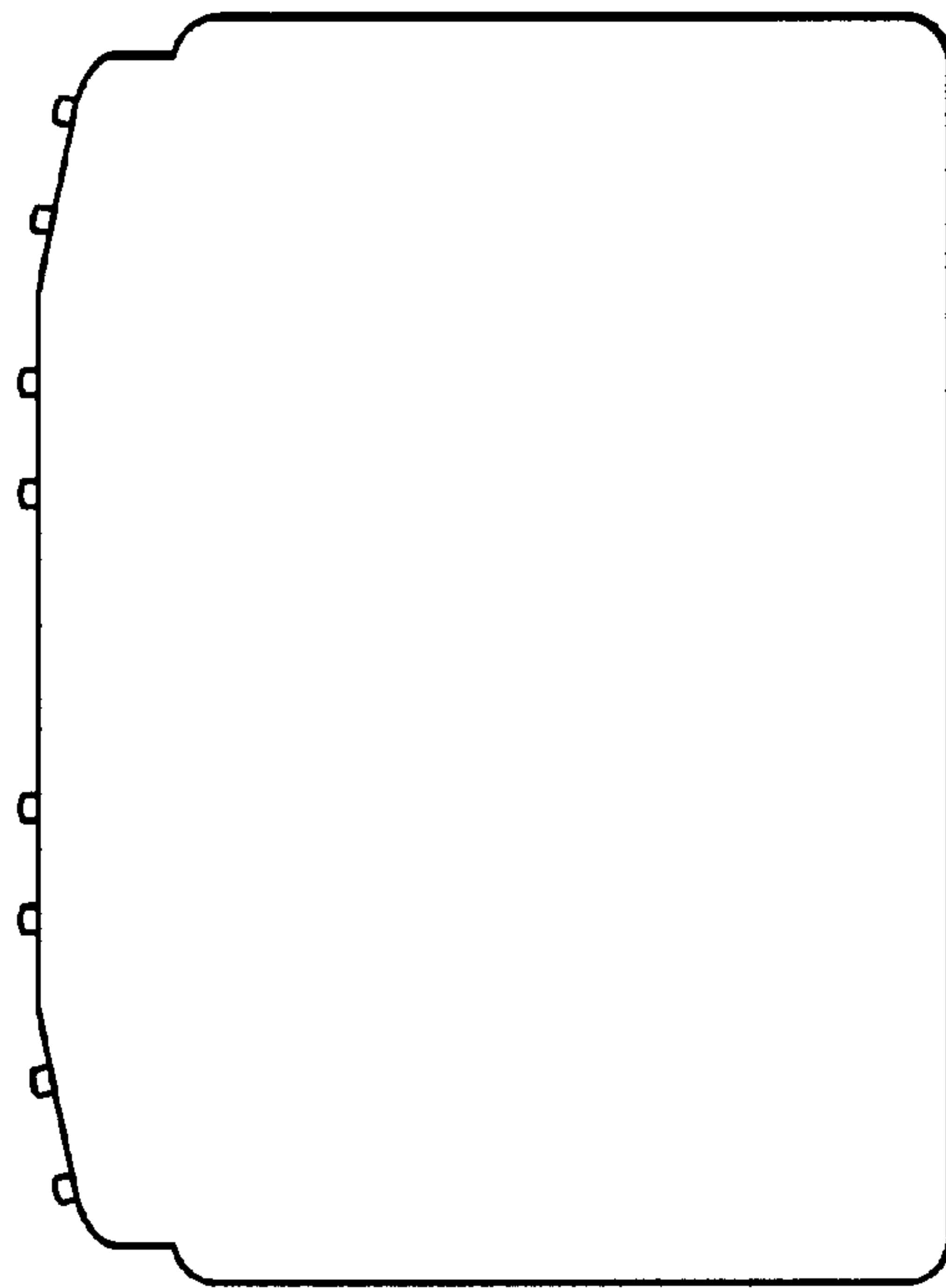


FIG. 7

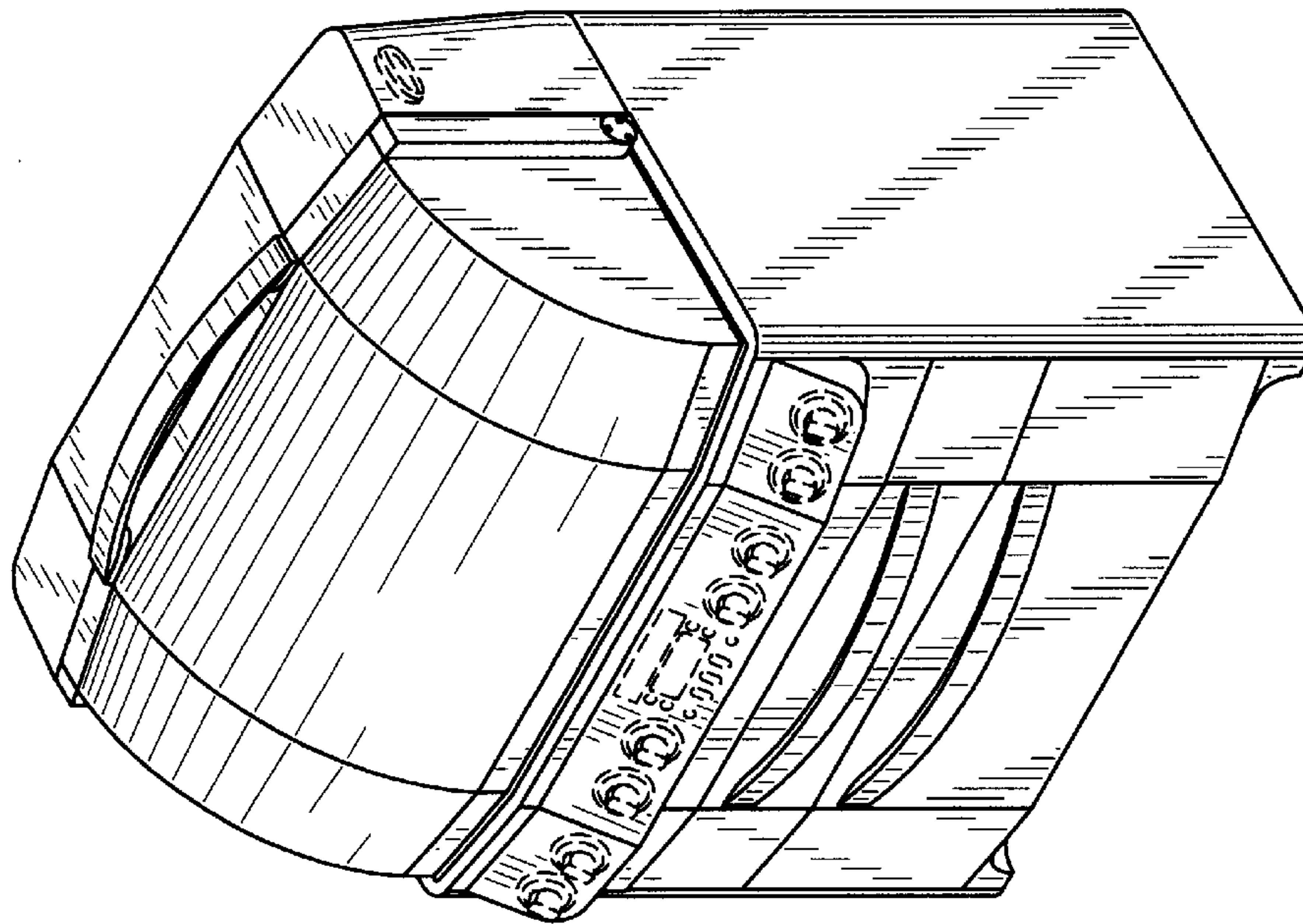


FIG. 8

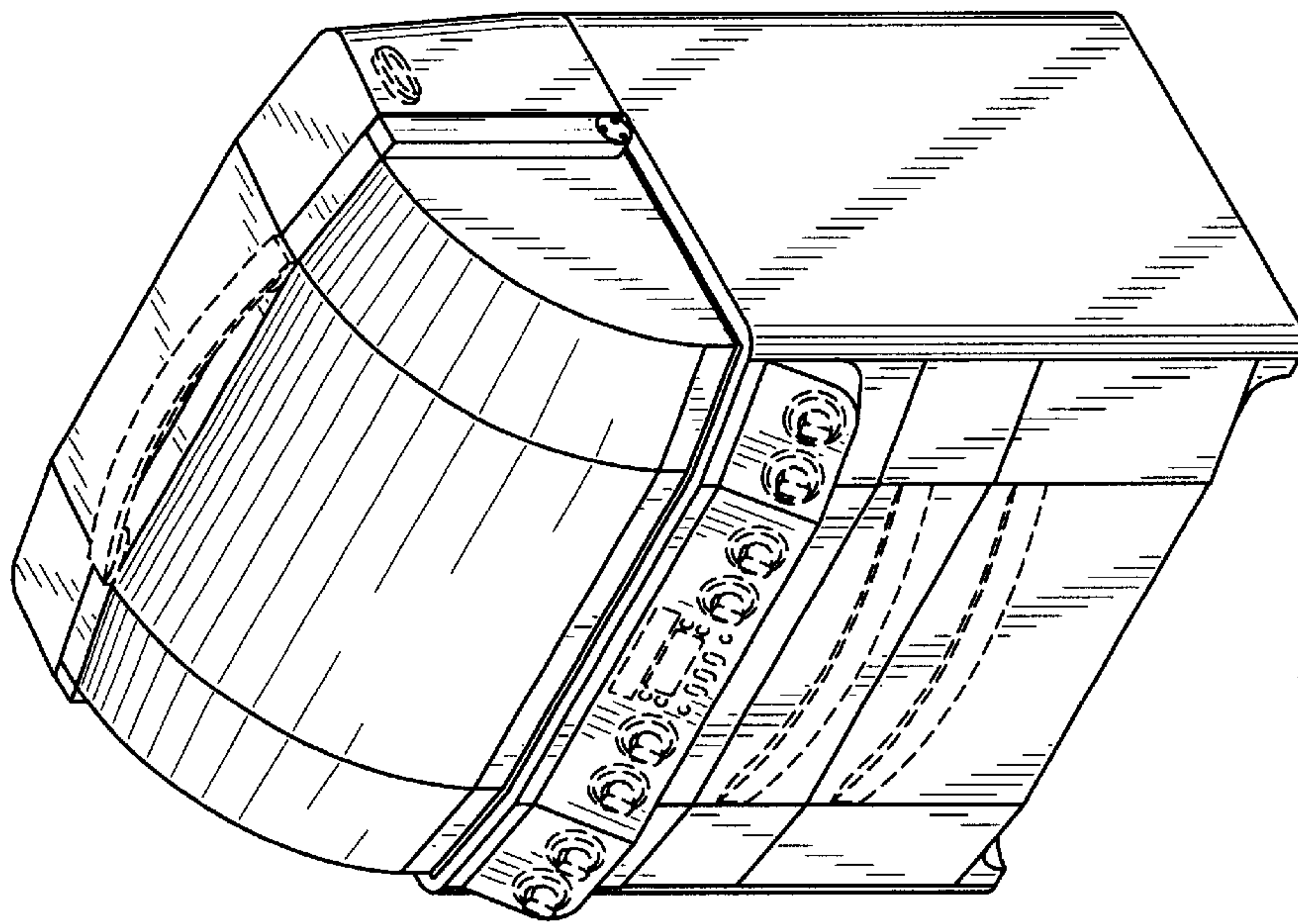


FIG. 9

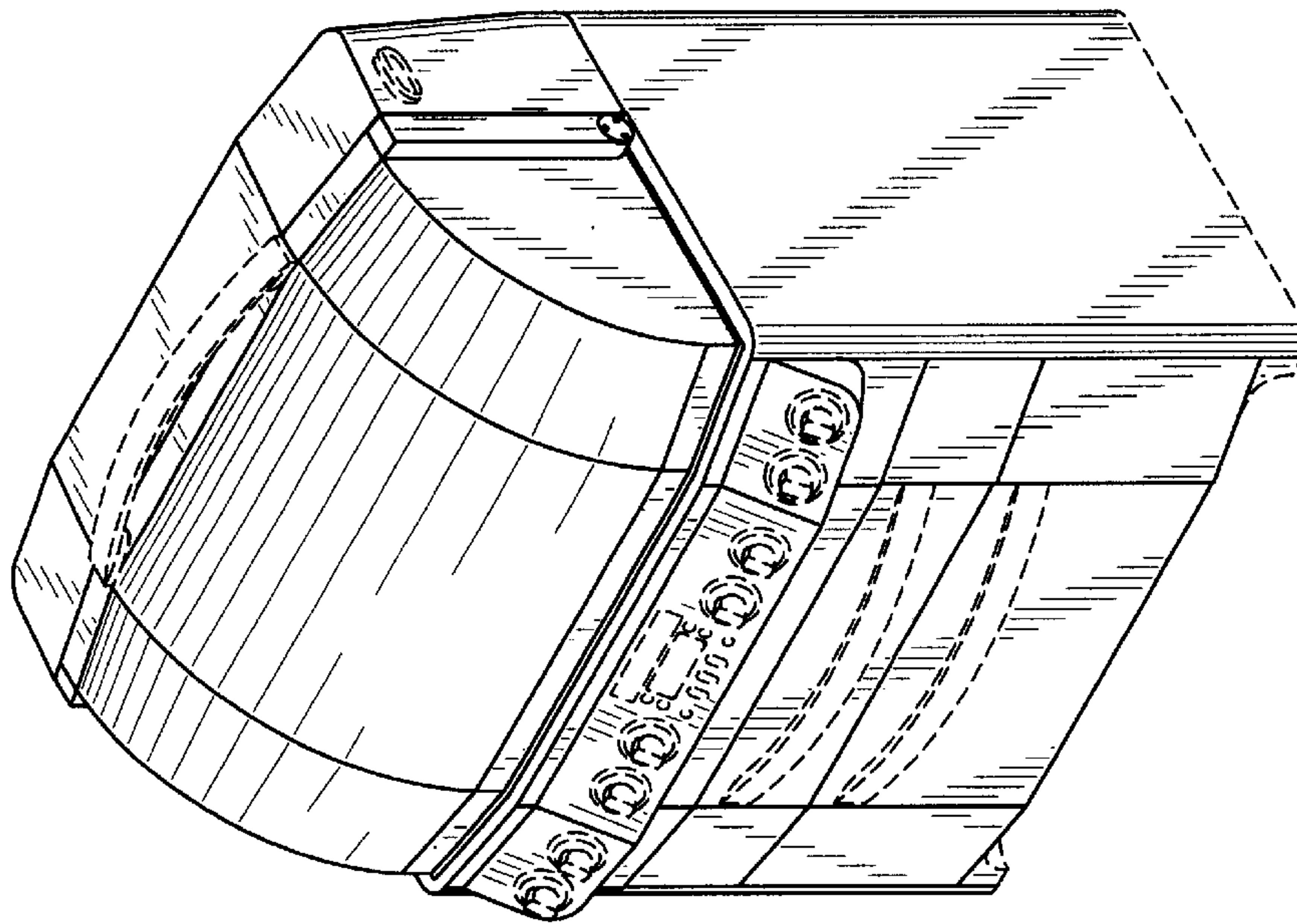


FIG. 10