

US00D541097S

(12) **United States Design Patent**  
**Leverrier**

(10) **Patent No.:** **US D541,097 S**

(45) **Date of Patent:** **\*\* Apr. 24, 2007**

(54) **ELECTRIC COFFEE MAKER**

(75) Inventor: **Bruno Leverrier**, Sainte Honorine du Fay (FR)

(73) Assignee: **SEB S.A.**, Ecully (FR)

(\*\*) Term: **14 Years**

(21) Appl. No.: **29/222,519**

(22) Filed: **Feb. 2, 2005**

(30) **Foreign Application Priority Data**

Aug. 2, 2004 (FR) ..... 04 3842

(51) **LOC (8) Cl.** ..... **07-01**

(52) **U.S. Cl.** ..... **D7/307; D7/308; D7/300**

(58) **Field of Classification Search** ..... D7/311,  
D7/312, 300, 313, 305, 306, 307, 308, 606,  
D7/598, 605, 607, 608, 309, 310; D15/82;  
222/214, 465.1, 538, 95, 129.1, 137, 129.3;  
99/302, 288; 220/915.1, 592.2

See application file for complete search history.

(56) **References Cited**

**U.S. PATENT DOCUMENTS**

- D195,663 S \* 7/1963 Schmaus ..... D7/308
- D212,317 S \* 9/1968 Haussam ..... D7/309
- D235,816 S \* 7/1975 Haussam ..... D7/308
- D244,824 S \* 6/1977 Bluestein ..... D7/309
- 4,323,171 A \* 4/1982 Whorton et al. .... 222/82
- D310,002 S \* 8/1990 Rossio et al. .... D7/308

- D311,844 S \* 11/1990 Chase et al. .... D7/308
- D324,795 S \* 3/1992 Hoover et al. .... D7/308
- D355,062 S \* 1/1995 Maire et al. .... D32/53
- D365,960 S \* 1/1996 Barish ..... D7/308
- D408,206 S \* 4/1999 Stafford et al. .... D7/306
- D454,023 S \* 3/2002 Wang ..... D7/309
- D484,734 S \* 1/2004 Drobeck ..... D7/309
- D491,014 S \* 6/2004 Nakashima ..... D7/374
- D510,675 S \* 10/2005 Ball ..... D7/306
- D515,348 S \* 2/2006 McWilliam ..... D7/309
- D527,567 S \* 9/2006 Nakato et al. .... D7/306

\* cited by examiner

*Primary Examiner*—M. N. Pandozzi

(74) *Attorney, Agent, or Firm*—Young & Thompson

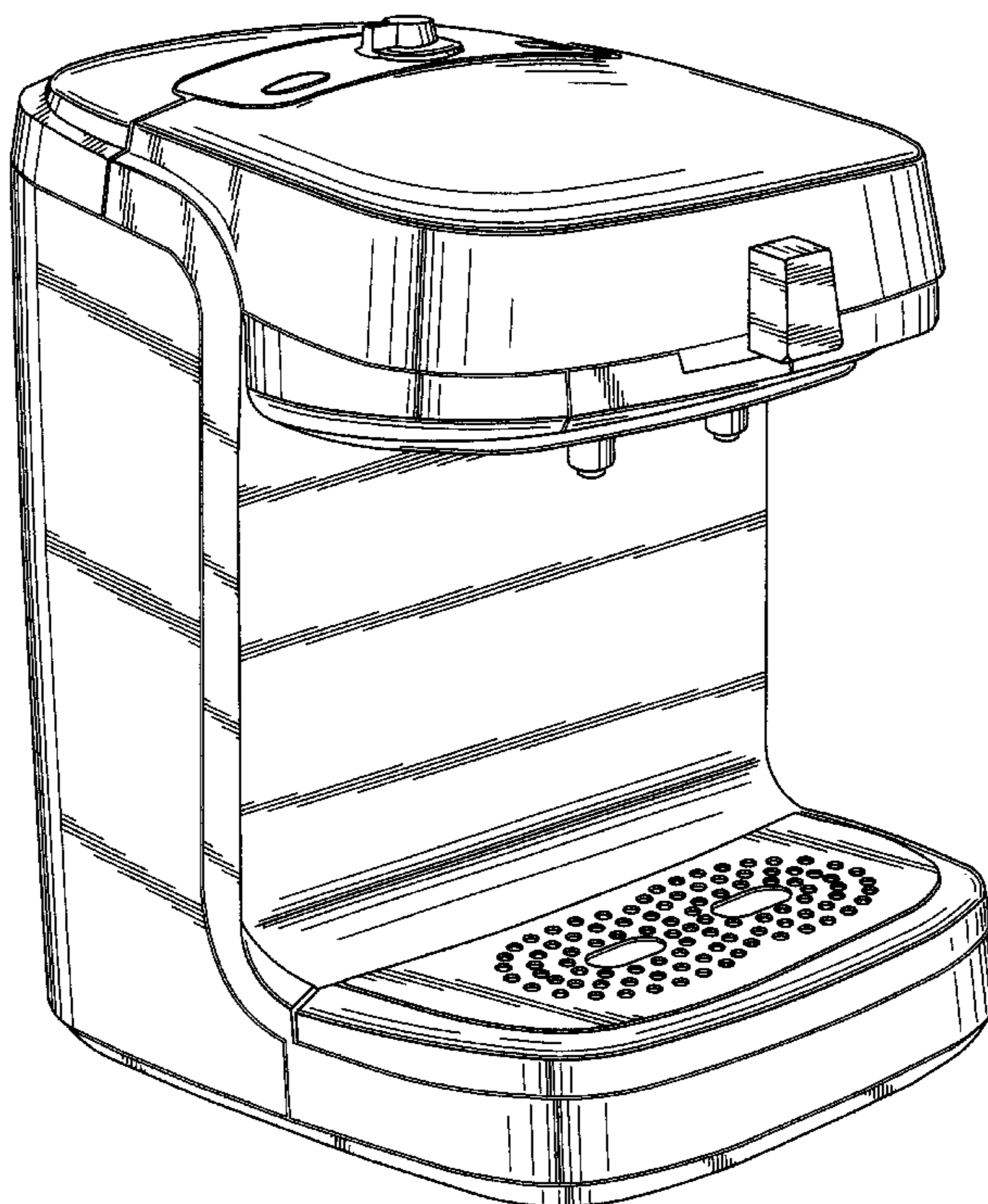
(57) **CLAIM**

The ornamental design for an electric coffee maker, as shown.

**DESCRIPTION**

FIG. 1 is a top, front and side perspective view of an electric coffee maker showing my new design;  
 FIG. 2 is a front elevational view thereof;  
 FIG. 3 is a side elevational view thereof from the left of FIG. 2;  
 FIG. 4 is a side elevational view thereof from the right of FIG. 2;  
 FIG. 5 is a rear elevational view thereof; and,  
 FIG. 6 is a top plan view thereof.

**1 Claim, 6 Drawing Sheets**



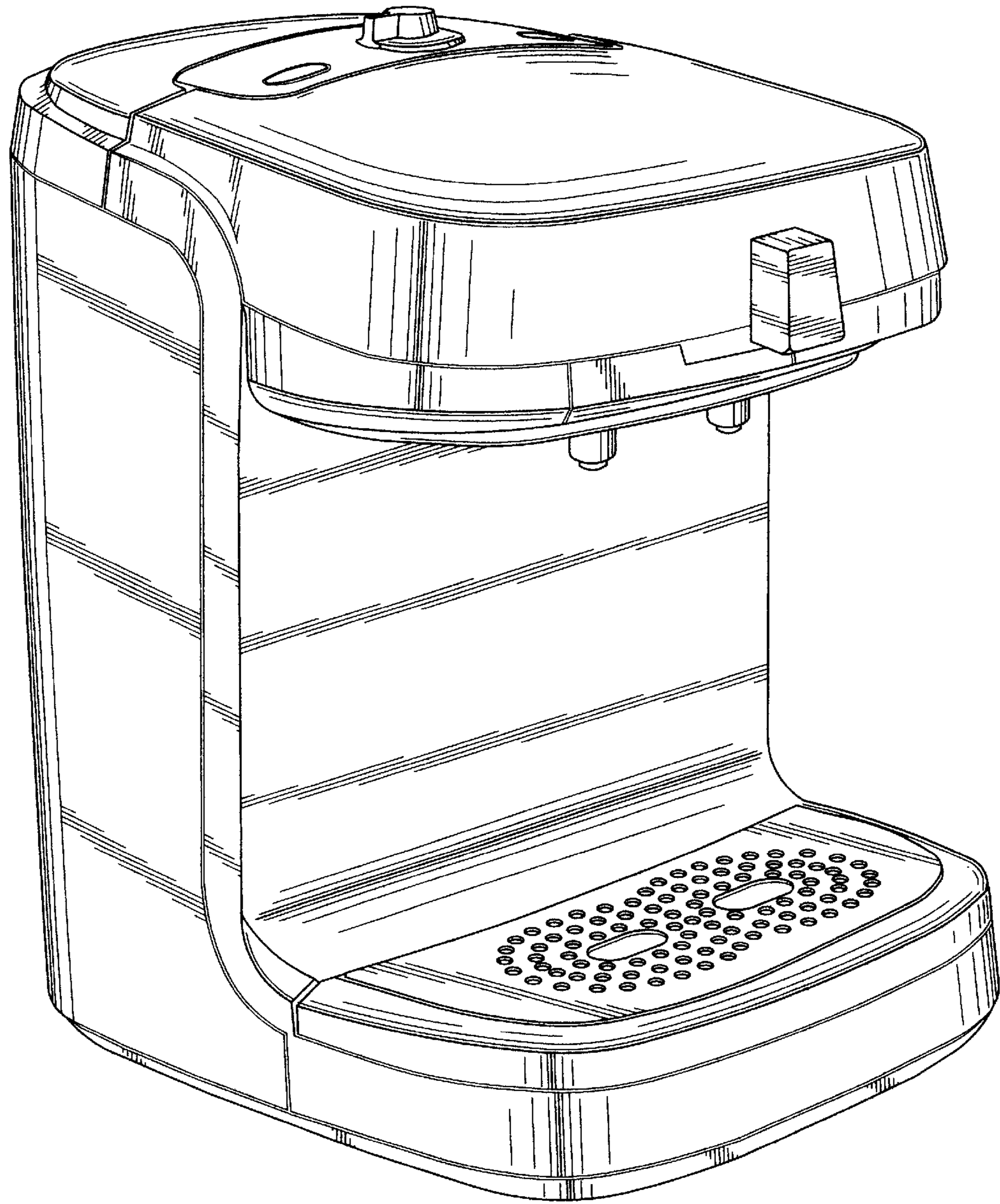


FIG. 1

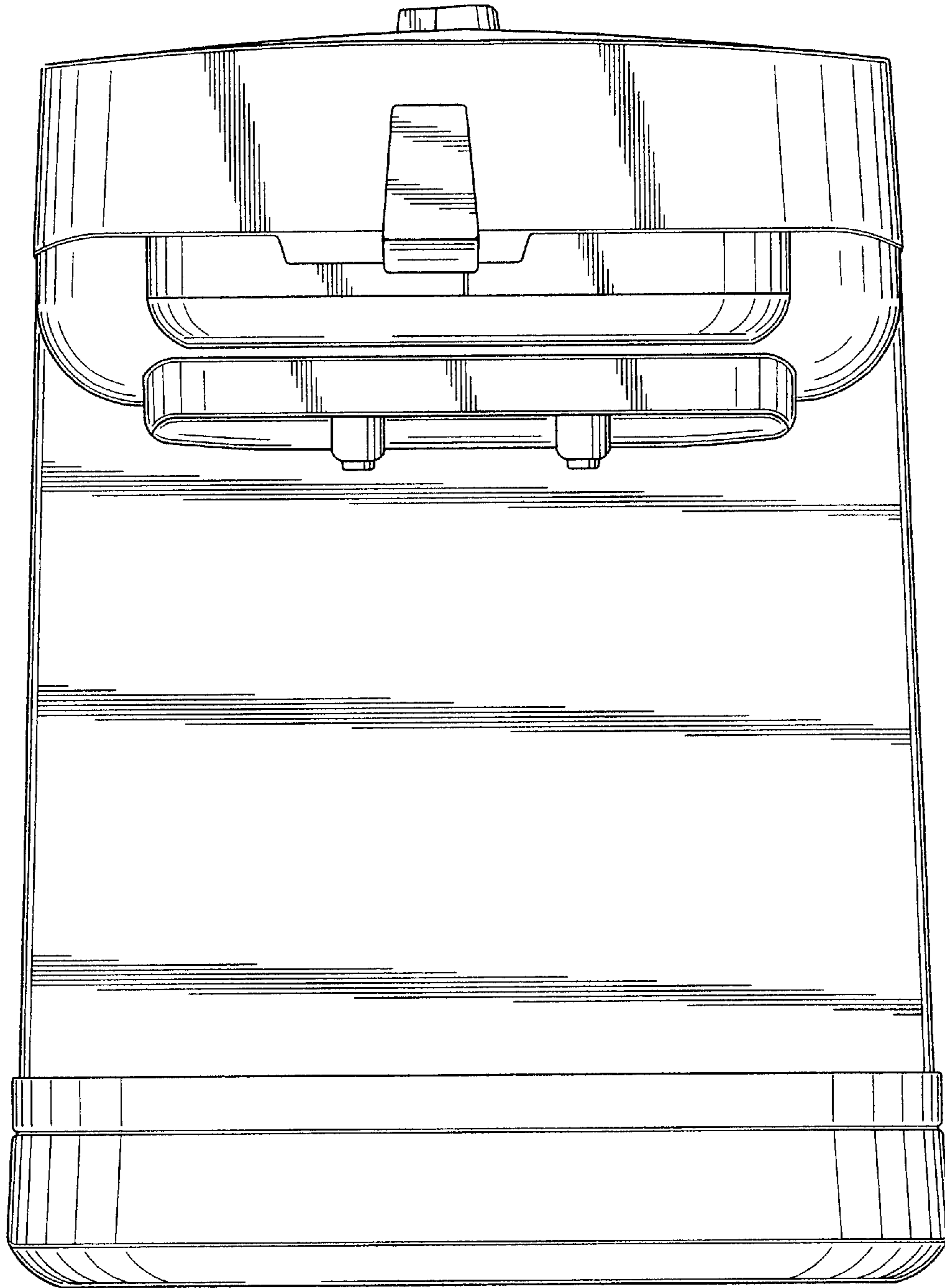


FIG. 2

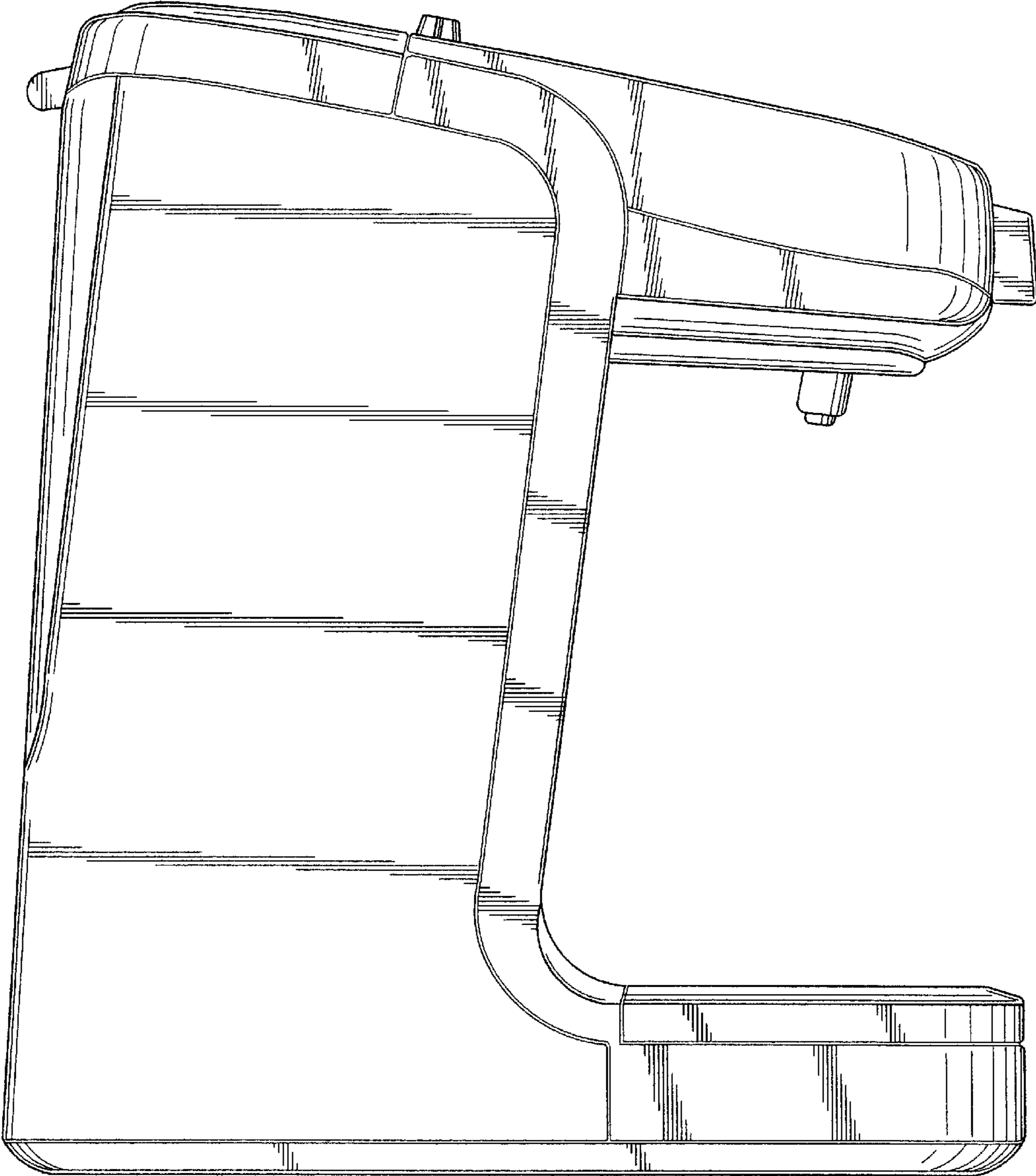


FIG. 3

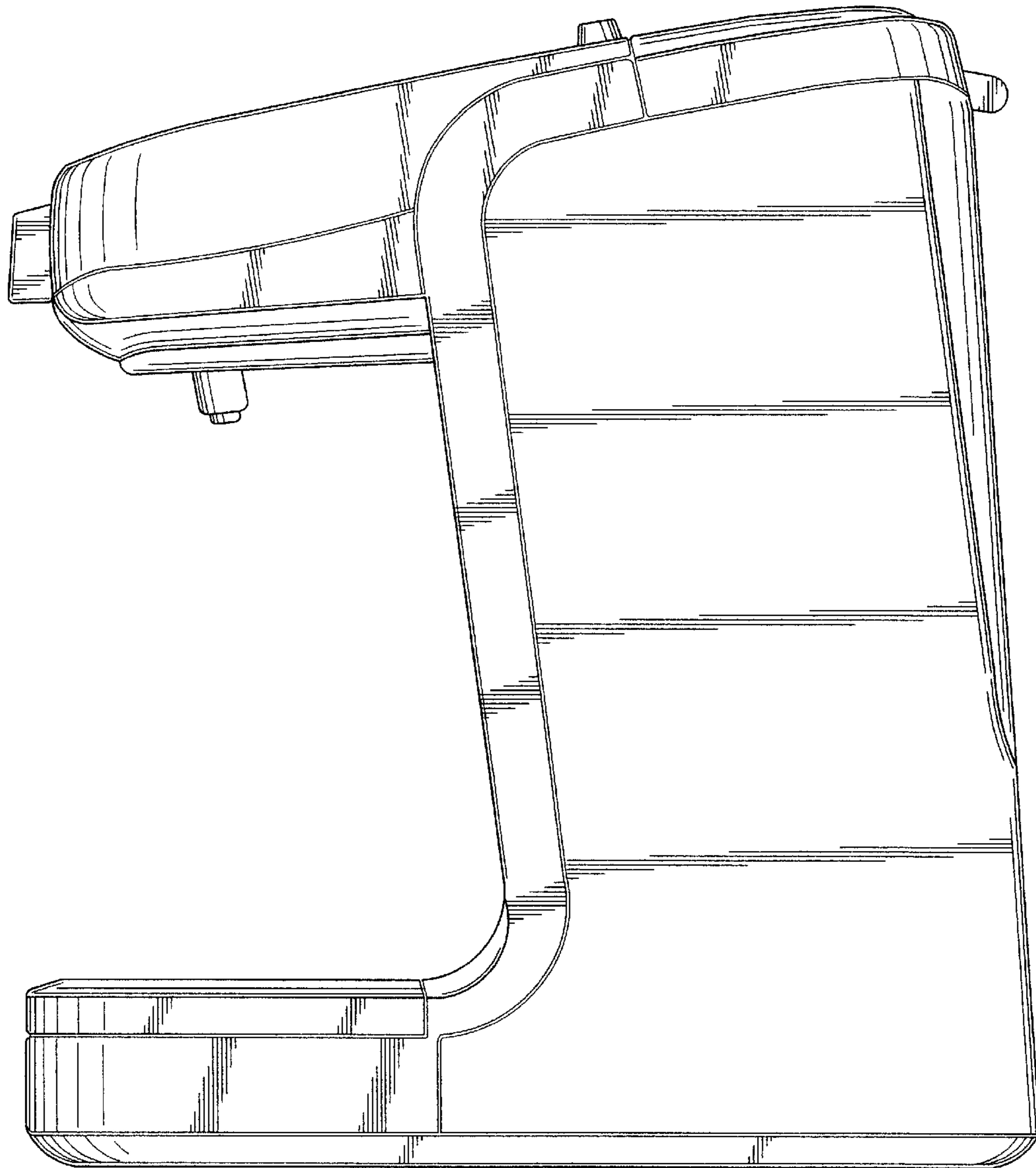


FIG. 4

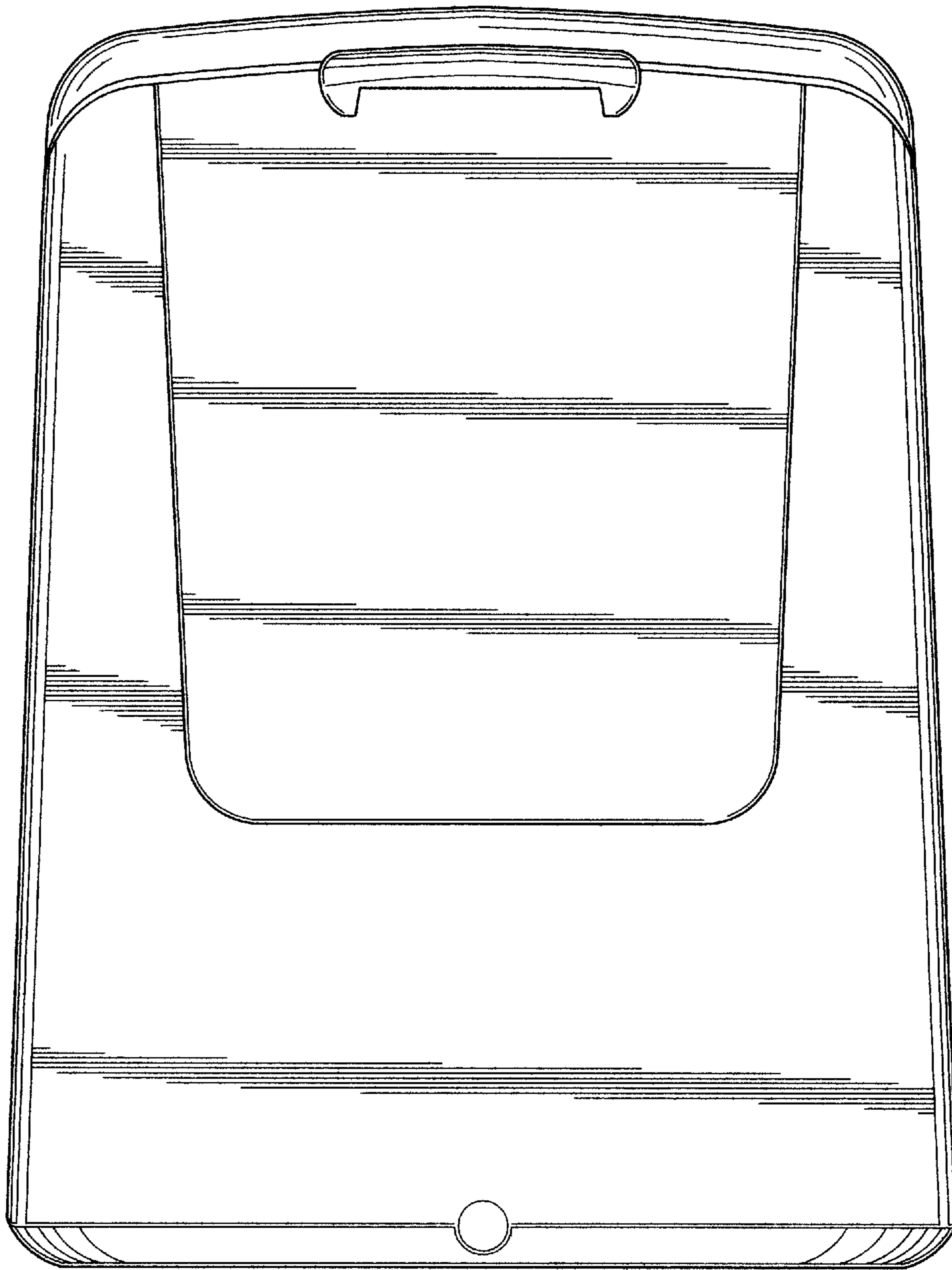


FIG. 5

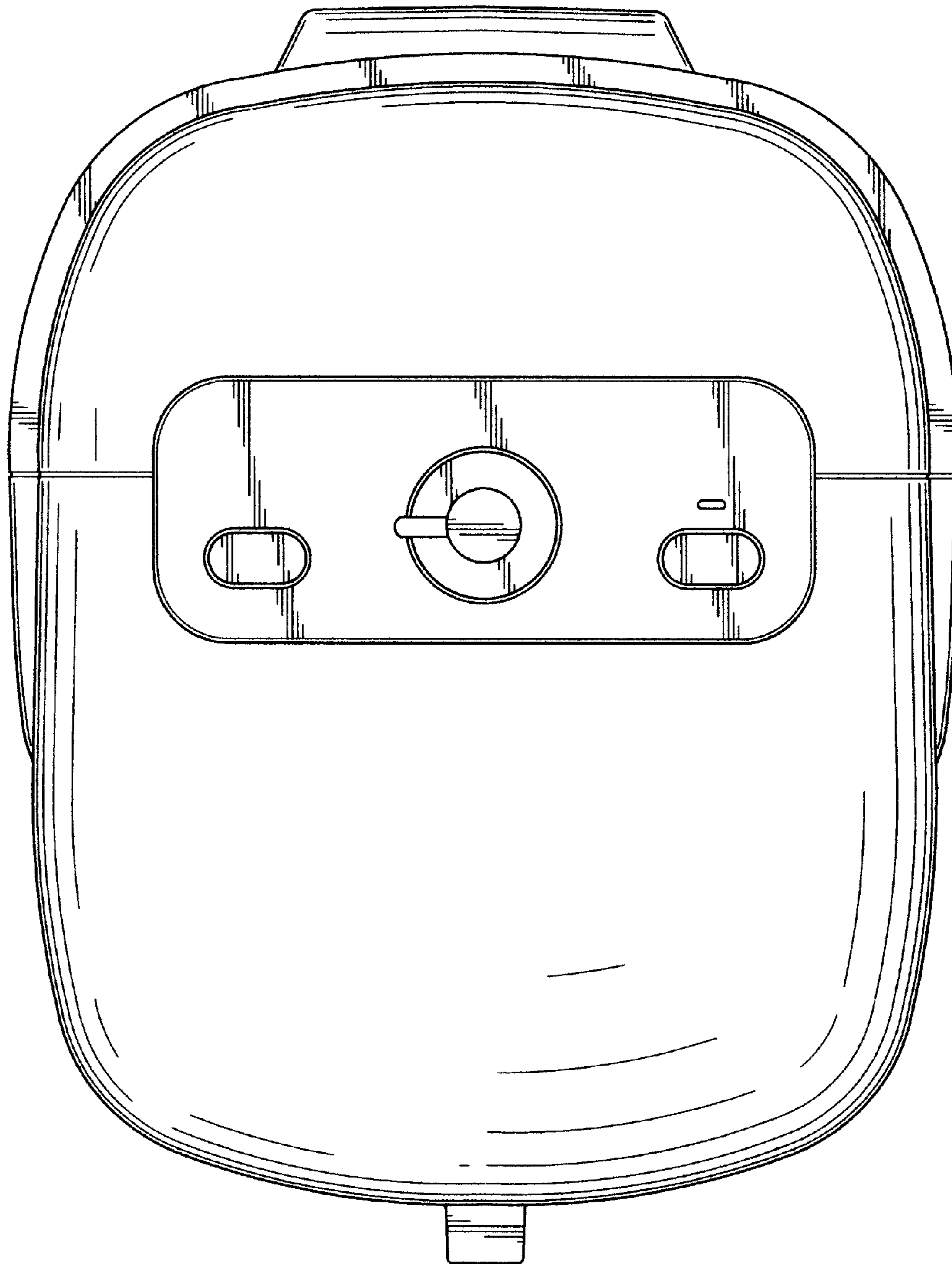


FIG. 6