

US00D541094S

(12) **United States Design Patent**  
**Yu et al.**

(10) **Patent No.: US D541,094 S**

(45) **Date of Patent: \*\* Apr. 24, 2007**

(54) **HEAD RAIL**

(75) Inventors: **Fu-Lai Yu**, Taipei Hsieh (TW);  
**Chin-Tien Huang**, Taipei Hsieh (TW)

(73) Assignee: **Teh Yor Co., Ltd.** (TW)

(\*\*) Term: **14 Years**

(21) Appl. No.: **29/261,758**

(22) Filed: **Jun. 20, 2006**

(51) **LOC (8) Cl. .... 06-10**

(52) **U.S. Cl. .... D6/580**

(58) **Field of Classification Search** ..... D6/580,  
D6/582-594; D3/260; D13/155; D20/44;  
D25/119, 122, 124; 4/506; 52/169.5; 160/168.1 V,  
160/170

See application file for complete search history.

|              |   |         |                    |             |
|--------------|---|---------|--------------------|-------------|
| D443,788 S   | * | 6/2001  | Horsten .....      | D6/580      |
| D446,249 S   | * | 8/2001  | Bjerke et al. .... | D20/44      |
| D480,250 S   |   | 10/2003 | Nainee             |             |
| D486,340 S   | * | 2/2004  | Sudano .....       | D6/577      |
| D487,158 S   | * | 2/2004  | Forbis .....       | D25/122     |
| D487,662 S   |   | 3/2004  | Ward et al.        |             |
| D488,945 S   |   | 4/2004  | Bibby et al.       |             |
| 6,725,469 B2 | * | 4/2004  | Coates .....       | 4/506       |
| D489,209 S   | * | 5/2004  | Goldberg .....     | D6/580      |
| D489,210 S   | * | 5/2004  | Goldberg .....     | D6/580      |
| D494,801 S   | * | 8/2004  | Lee .....          | D6/580      |
| D495,808 S   | * | 9/2004  | Habeck et al. .... | D25/119     |
| D497,506 S   | * | 10/2004 | Nien .....         | D6/580      |
| D497,758 S   | * | 11/2004 | Goldberg .....     | D6/580      |
| D502,037 S   |   | 2/2005  | Nien               |             |
| D507,173 S   | * | 7/2005  | Cairns .....       | D8/376      |
| 6,957,682 B2 | * | 10/2005 | Huang et al. ....  | 160/168.1 V |
| 6,964,291 B2 | * | 11/2005 | Judkins .....      | 160/170     |
| D522,297 S   |   | 6/2006  | Miller et al.      |             |
| 7,093,644 B2 | * | 8/2006  | Strand .....       | 160/170     |

\* cited by examiner

*Primary Examiner*—T. Chase Nelson  
*Assistant Examiner*—Barbara Blanton Lohr  
(74) *Attorney, Agent, or Firm*—Olson & Hierl, Ltd.

(56) **References Cited**

U.S. PATENT DOCUMENTS

|             |           |                        |          |
|-------------|-----------|------------------------|----------|
| D199,024 S  | 9/1964    | Huret                  |          |
| D200,702 S  | 3/1965    | Huret                  |          |
| D210,519 S  | 3/1968    | Kusel                  |          |
| D314,757 S  | * 2/1991  | Gecchelin .....        | D13/155  |
| 5,226,272 A | * 7/1993  | Sauve .....            | 52/169.5 |
| D361,010 S  | 8/1995    | Hebsgaard              |          |
| D368,851 S  | * 4/1996  | Cole et al. ....       | D8/376   |
| D385,449 S  | 10/1997   | Morris                 |          |
| D433,805 S  | * 11/2000 | Sjaastad .....         | D3/260   |
| D434,084 S  | * 11/2000 | LaFountain et al. .... | D20/44   |
| D439,461 S  | 3/2001    | Brunell                |          |
| D440,099 S  | * 4/2001  | Horsten .....          | D6/580   |
| D440,100 S  | * 4/2001  | Horsten .....          | D6/580   |
| D440,101 S  | * 4/2001  | Anderson .....         | D6/580   |
| D440,444 S  | * 4/2001  | Sonnenberg et al. .... | D6/580   |
| D441,102 S  | * 4/2001  | Habeck et al. ....     | D25/124  |
| D443,168 S  | * 6/2001  | Horsten .....          | D6/580   |
| D443,457 S  | * 6/2001  | Horsten .....          | D6/580   |

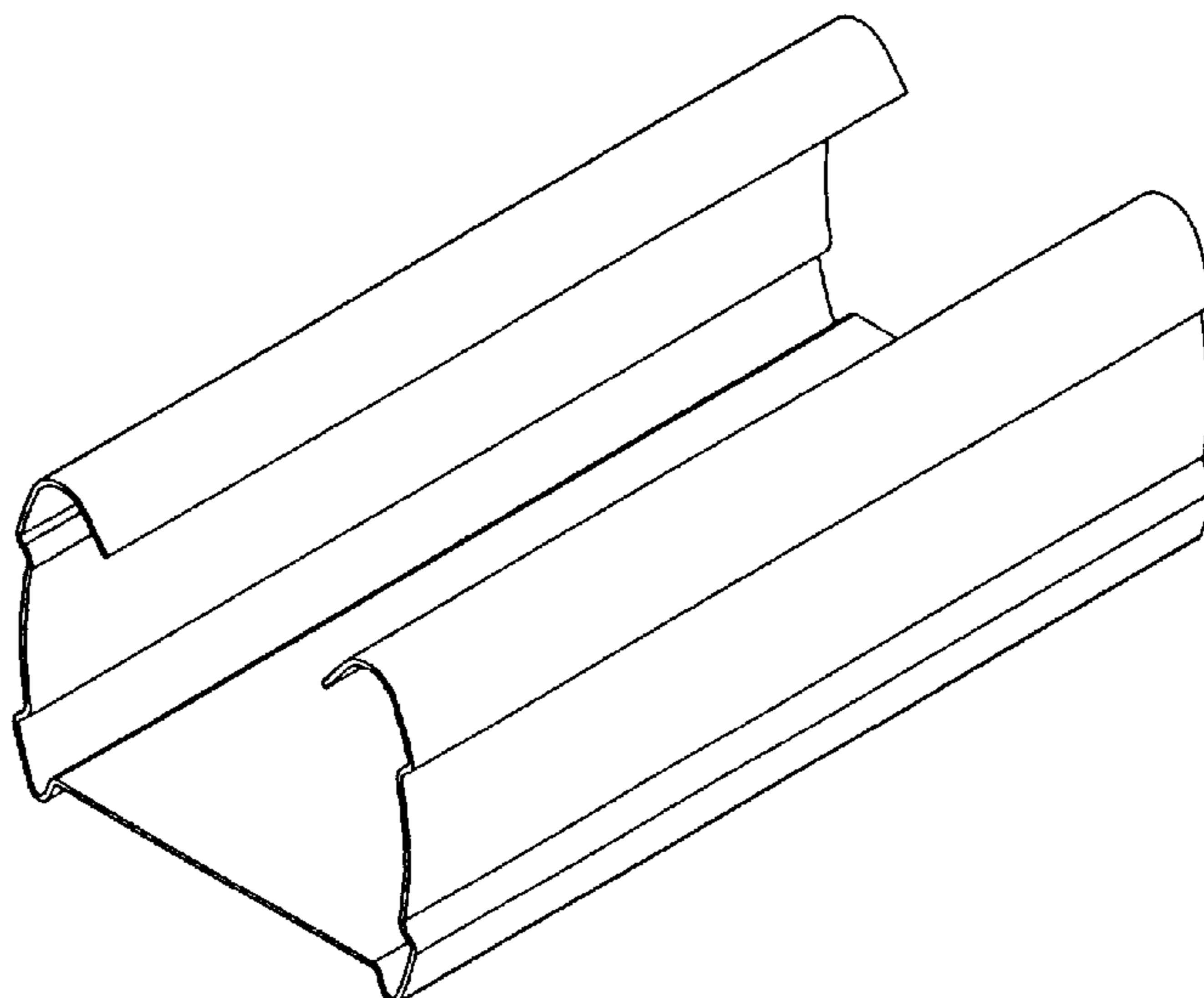
(57) **CLAIM**

The ornamental design for a head rail, as shown and described.

**DESCRIPTION**

FIG. 1 is a top perspective view of the present design;  
FIG. 2 is a right side elevation view of the present design;  
FIG. 3 is a top plan view of the present design;  
FIG. 4 is a front elevation view of the present design;  
FIG. 5 is a bottom plan view of the present design;  
FIG. 6 is a left side elevation view of the present design; and,  
FIG. 7 is a rear elevation view of the present design.

**1 Claim, 7 Drawing Sheets**



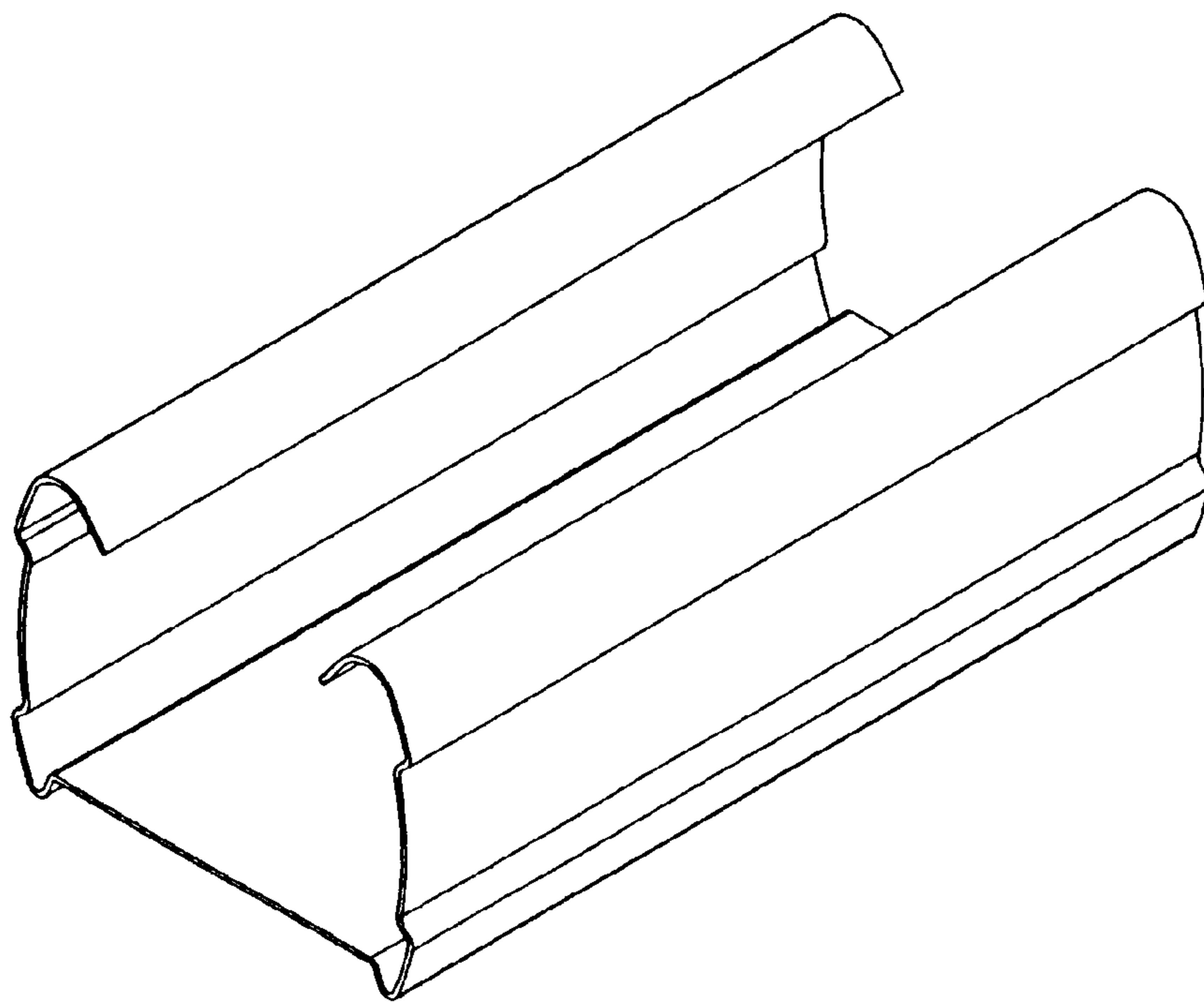
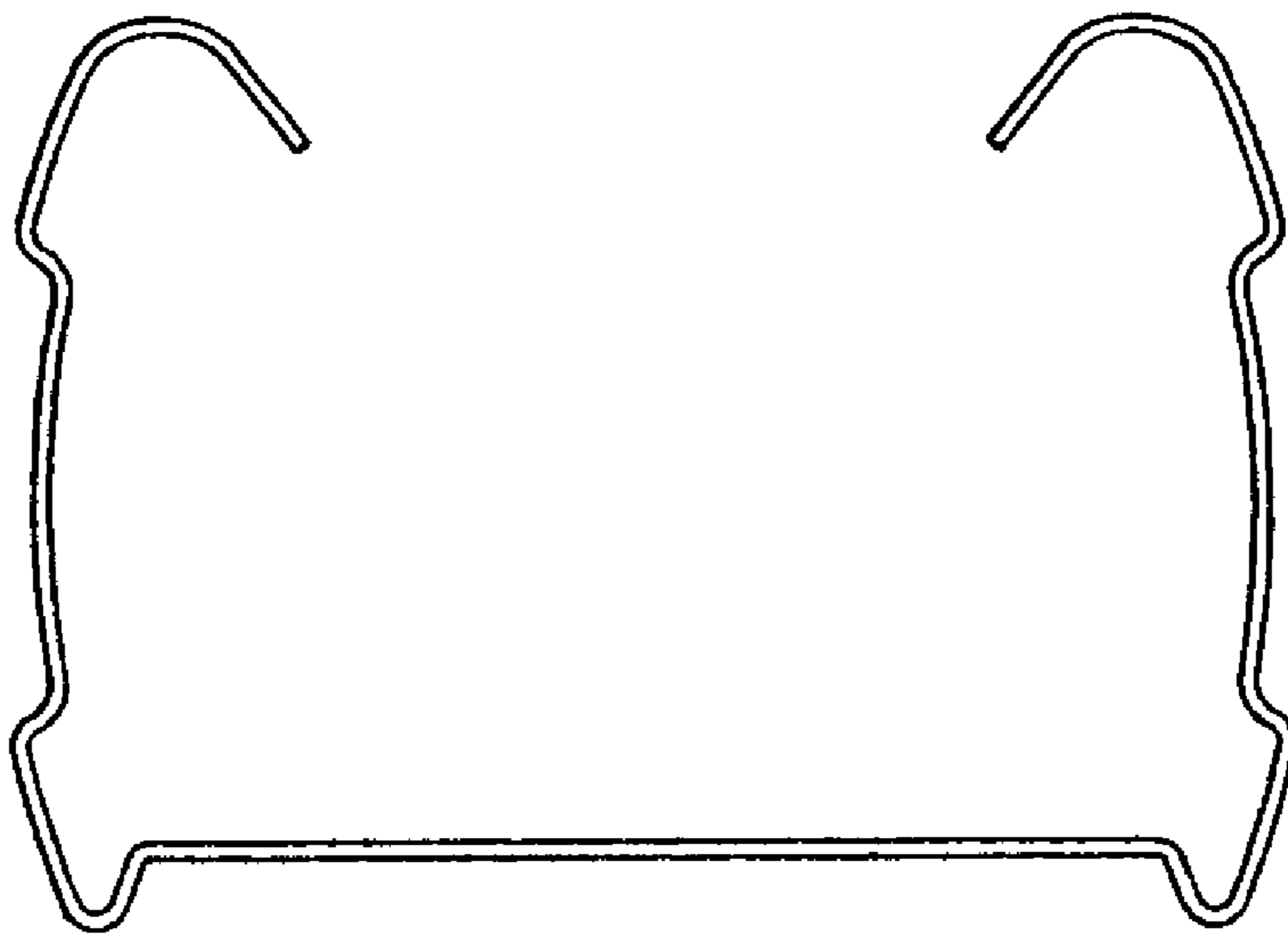
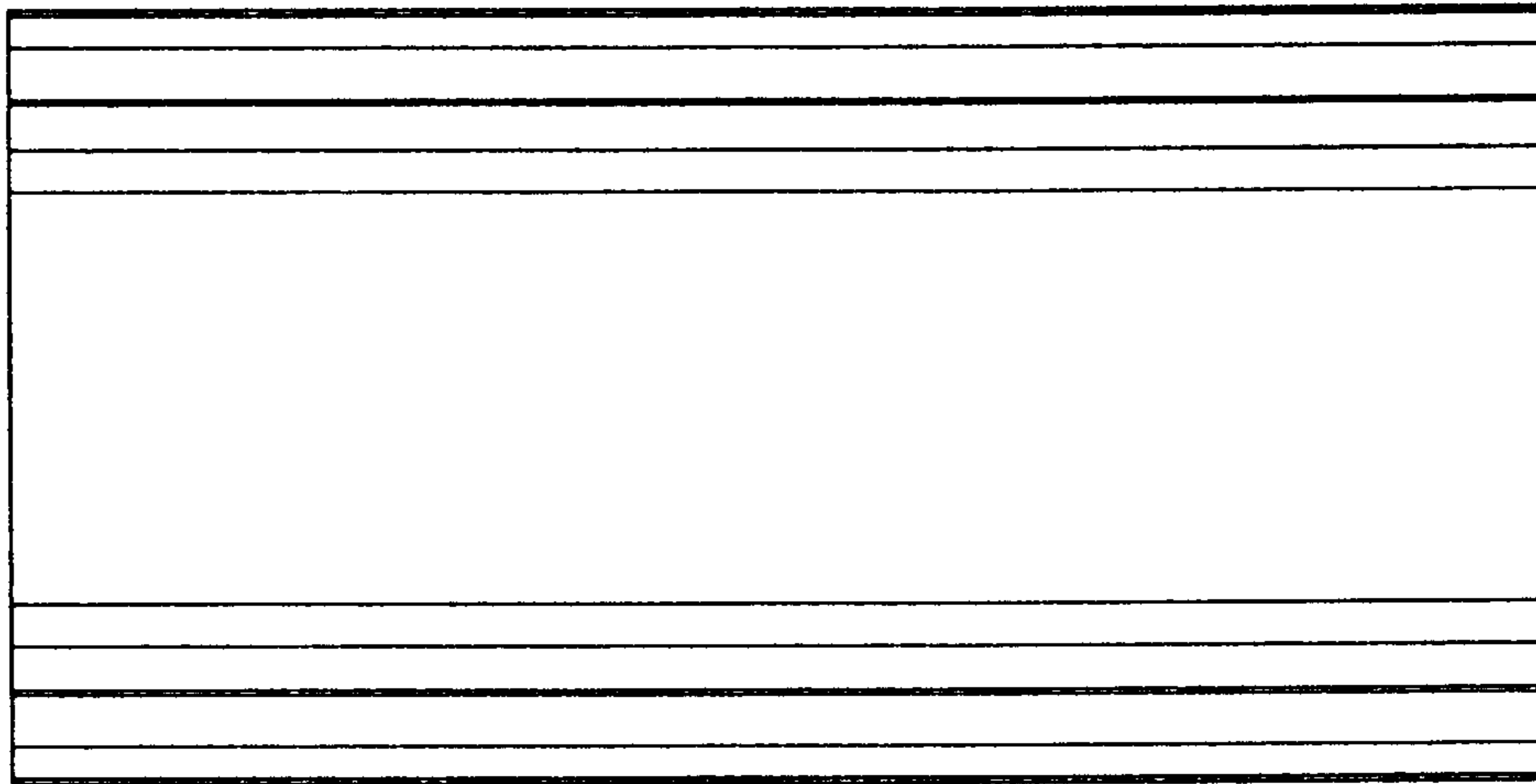


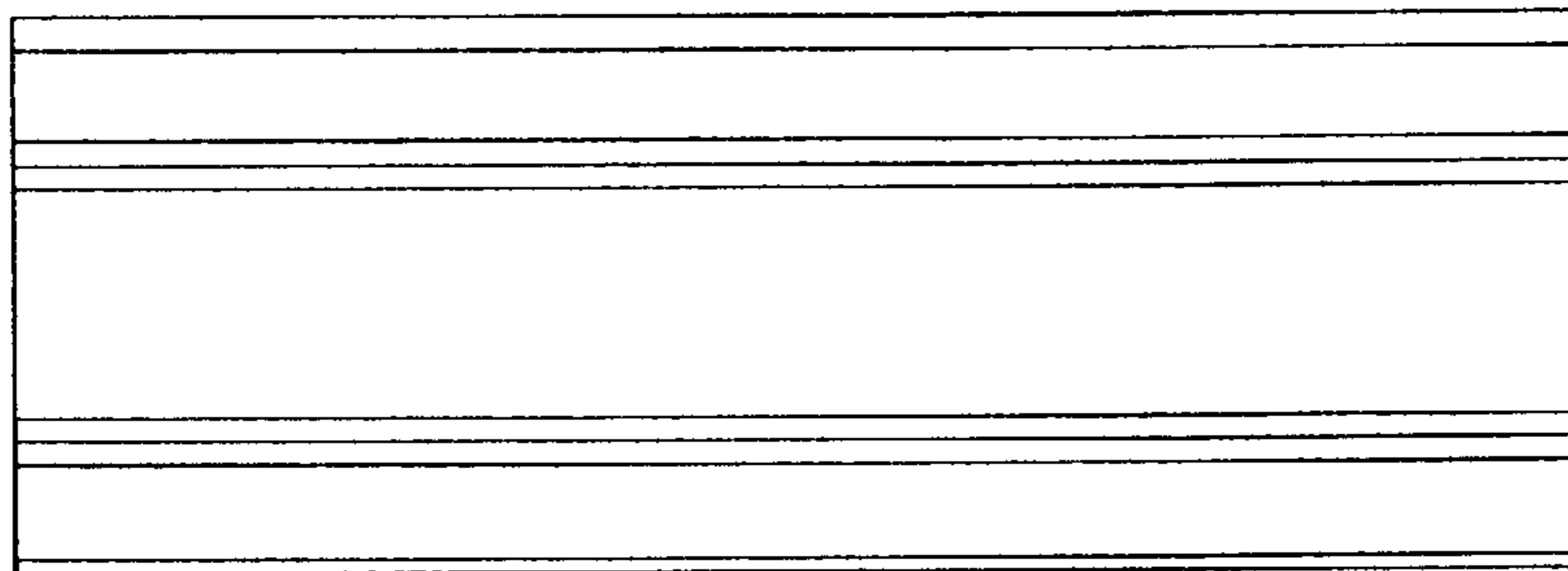
Figure 1



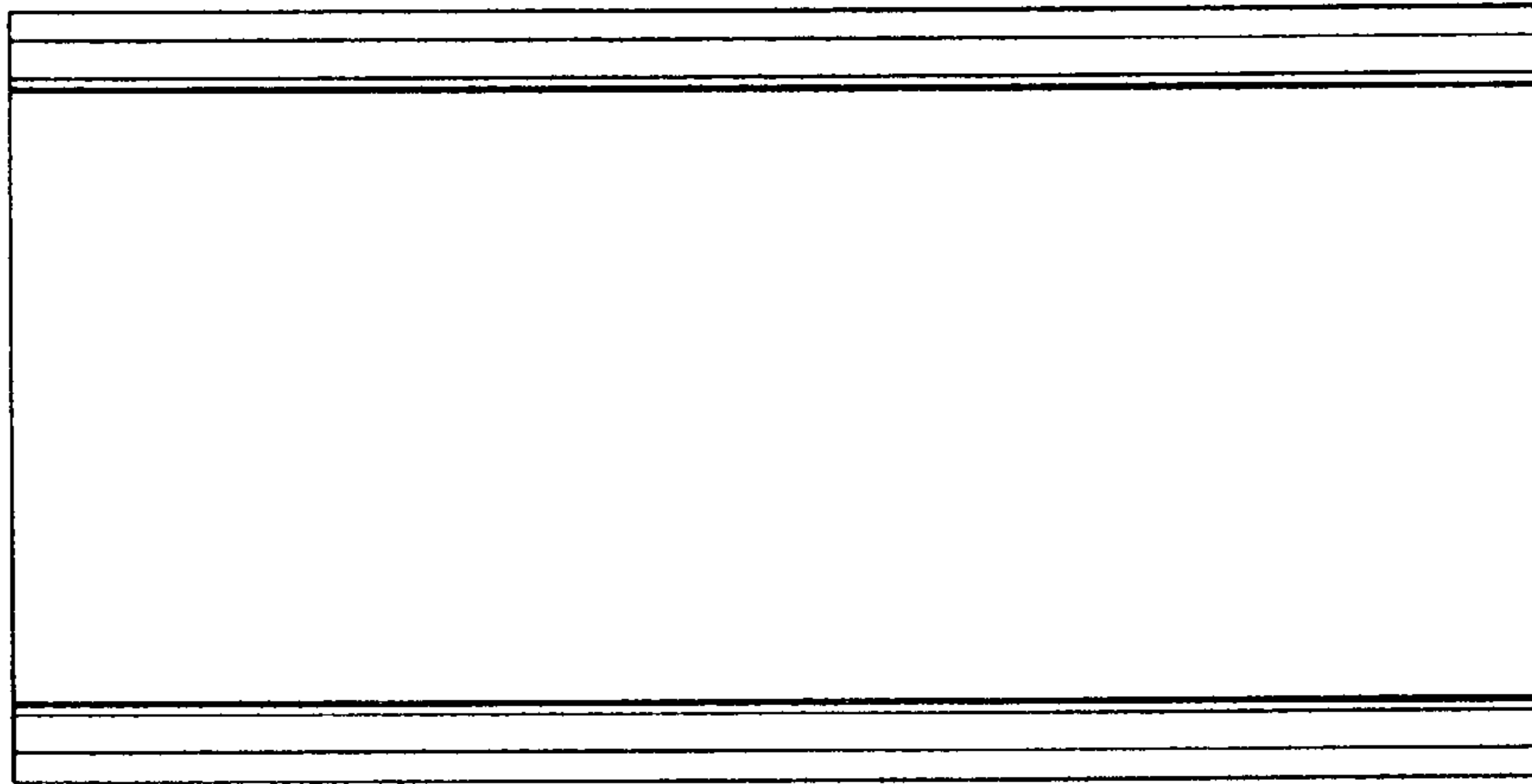
**Figure 2**



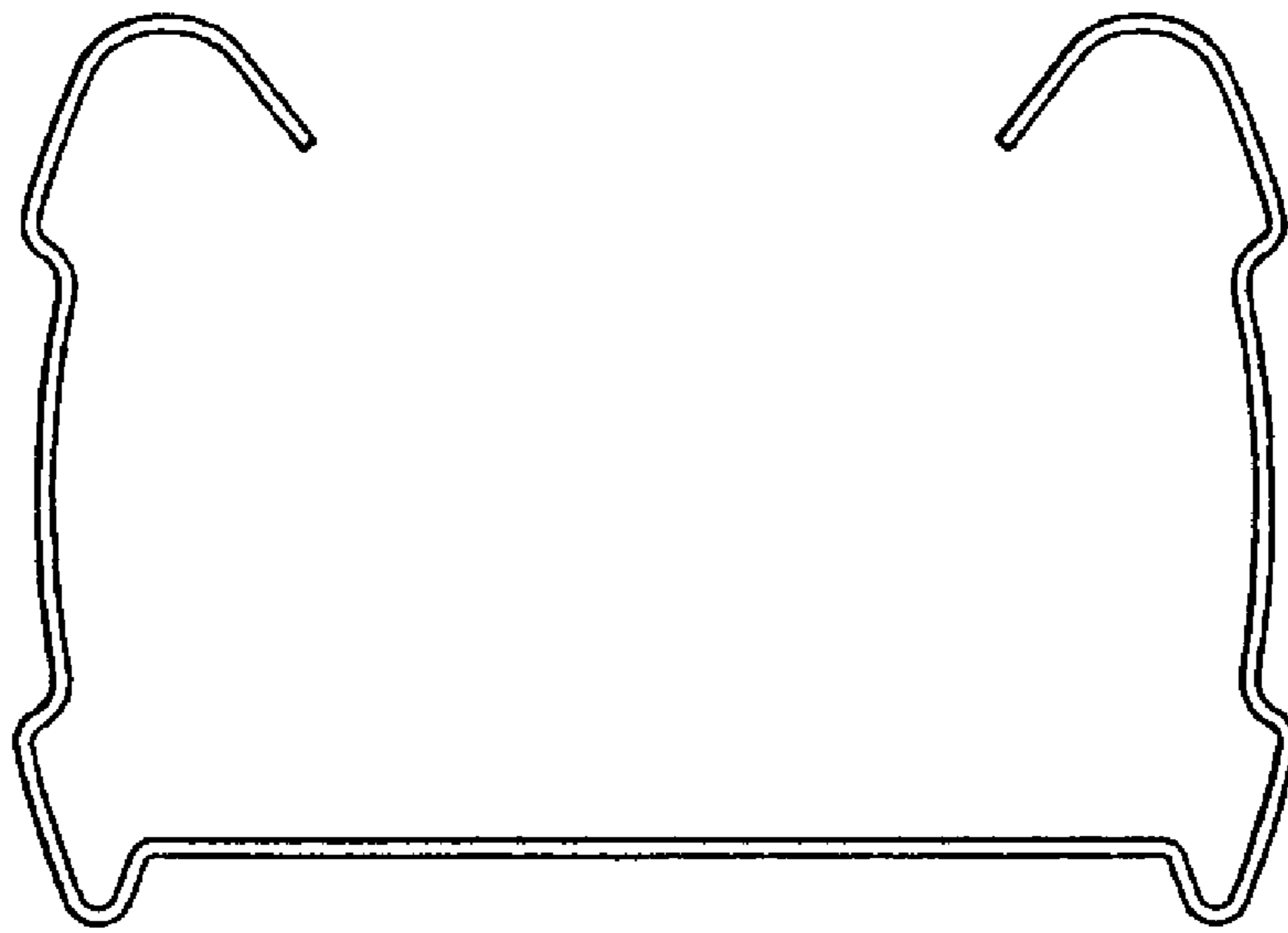
**Figure 3**



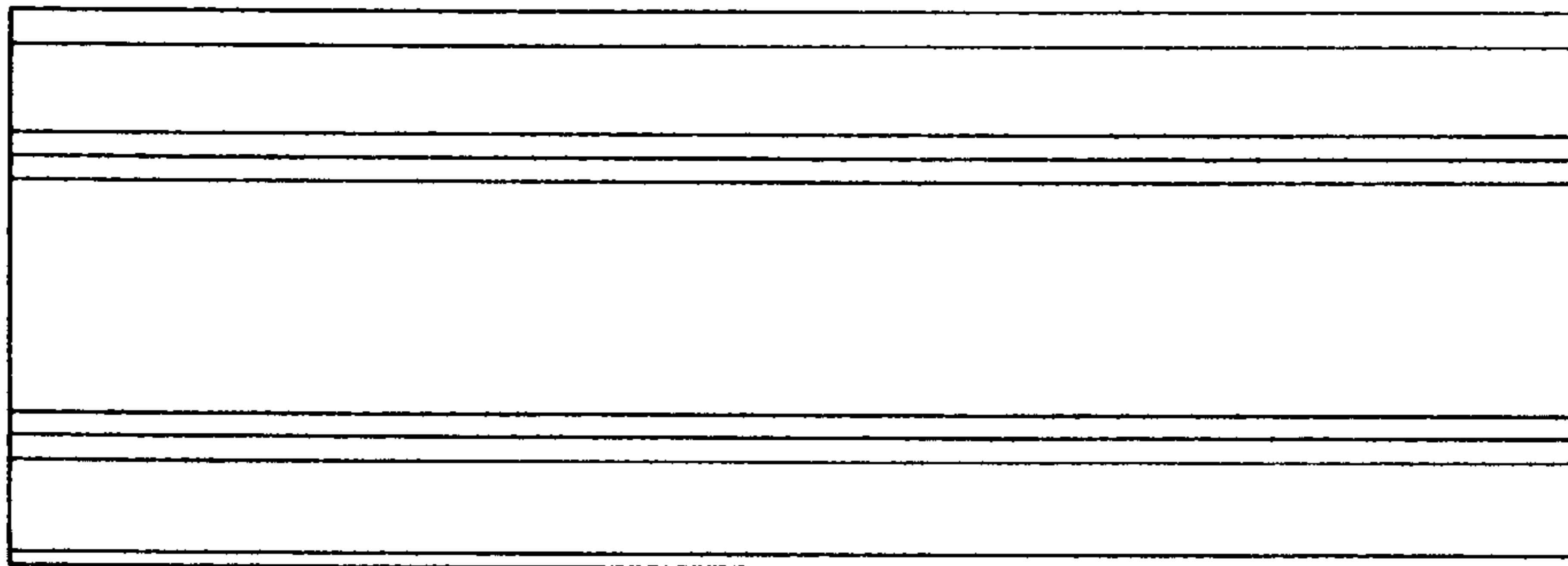
**Figure 4**



**Figure 5**



**Figure 6**



**Figure 7**