

US00D541088S

(12) **United States Design Patent**
Nesci

(10) **Patent No.:** **US D541,088 S**

(45) **Date of Patent:** **** Apr. 24, 2007**

(54) **VITAMIN DISPENSER**

(75) Inventor: **Joseph M. Nesci**, 213 Scarlet, Irvine,
CA (US) 92603

(73) Assignee: **Joseph M. Nesci**, Irvine, CA (US)

(**) Term: **14 Years**

(21) Appl. No.: **29/214,906**

(22) Filed: **Oct. 7, 2004**

(51) **LOC (8) Cl.** **20-20**

(52) **U.S. Cl.** **D6/515**

(58) **Field of Classification Search** D6/515,
D6/517; 206/704, 528; 211/13.1; 221/45-46,
221/49, 66, 282, 284

See application file for complete search history.

(56) **References Cited**

U.S. PATENT DOCUMENTS

- D245,048 S * 7/1977 Pool D6/515
- D392,481 S * 3/1998 Perkitny D6/515
- D419,345 S * 1/2000 Dumont et al. D6/515
- D435,991 S * 1/2001 Handfield et al. D6/515

- D437,153 S * 2/2001 Stoddard D6/515
- D458,065 S * 6/2002 Christian D6/515
- D461,080 S * 8/2002 Bartholomew et al. D6/515

* cited by examiner

Primary Examiner—Brian N Vinson

(57) **CLAIM**

The ornamental design for a vitamin dispenser, as shown.

DESCRIPTION

FIG. 1 is a front view of a vitamin dispenser, showing my new design;

FIG. 2 is a top view thereof;

FIG. 3 is a rear view thereof;

FIG. 4 is a left side view thereof;

FIG. 5 is a front view thereof;

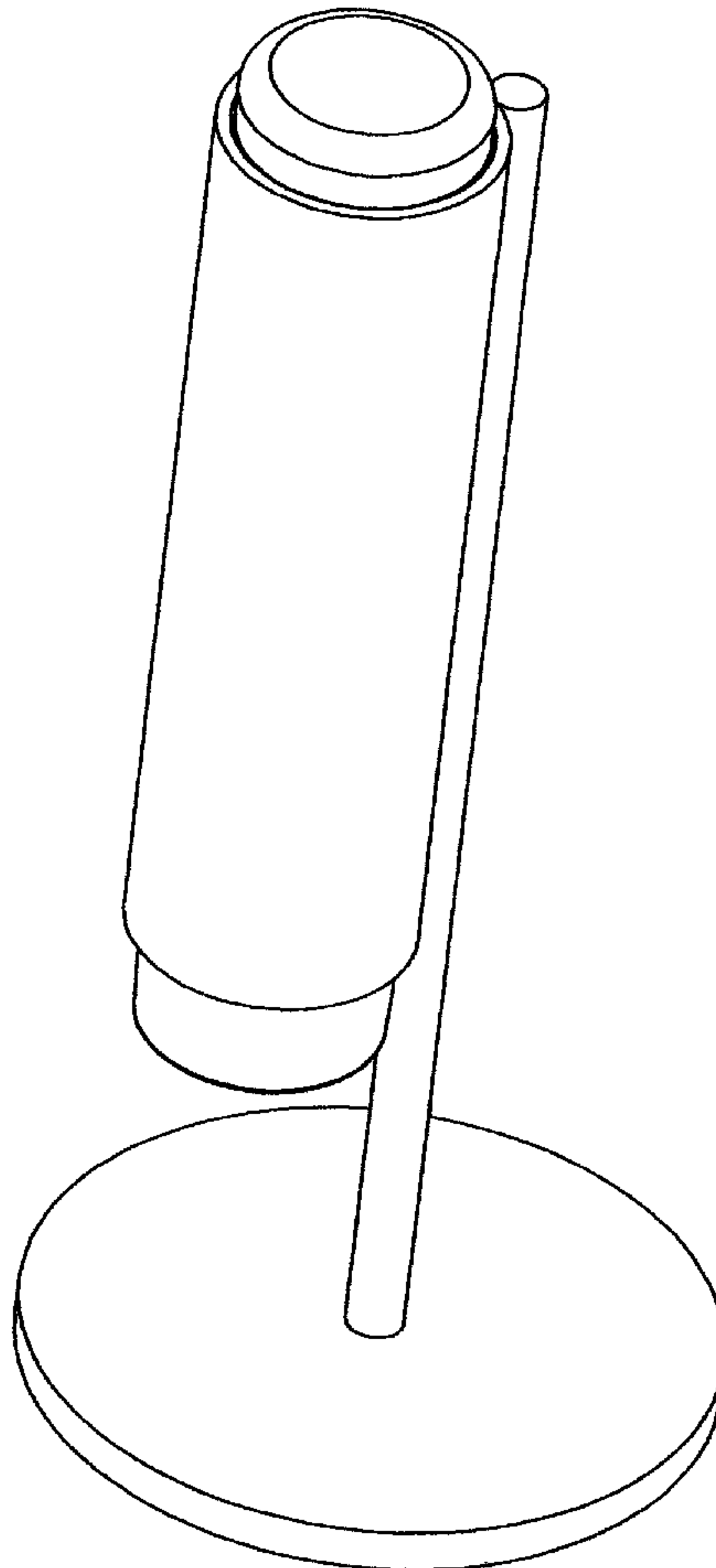
FIG. 6 is a right side view thereof;

FIG. 7 is a bottom view thereof;

FIG. 8 is a front perspective cutaway view of my new design, showing a vitamin bottle that has been dispensed; and,

FIG. 9 is a front perspective view of my new design, showing a vitamin bottle that has been dispensed.

1 Claim, 4 Drawing Sheets



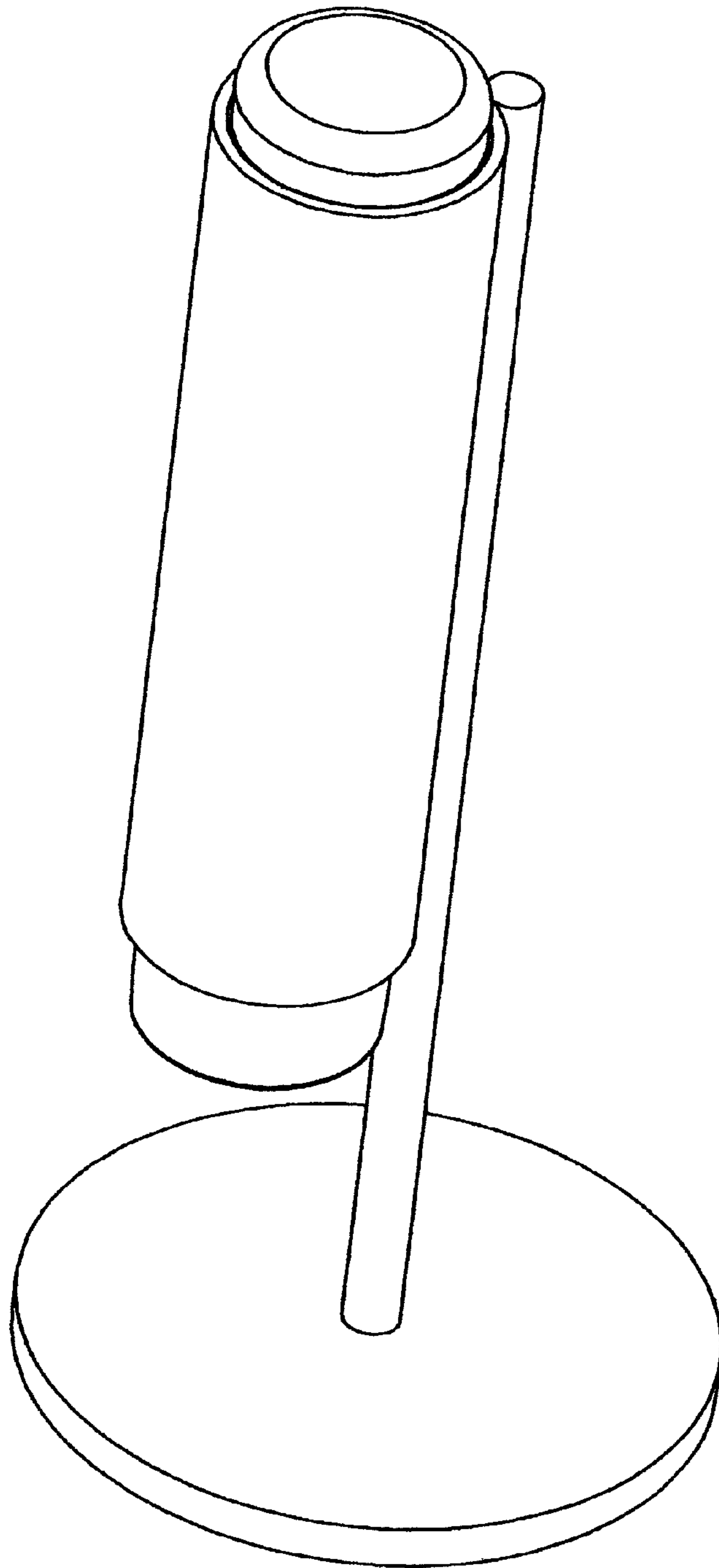


FIG. 1

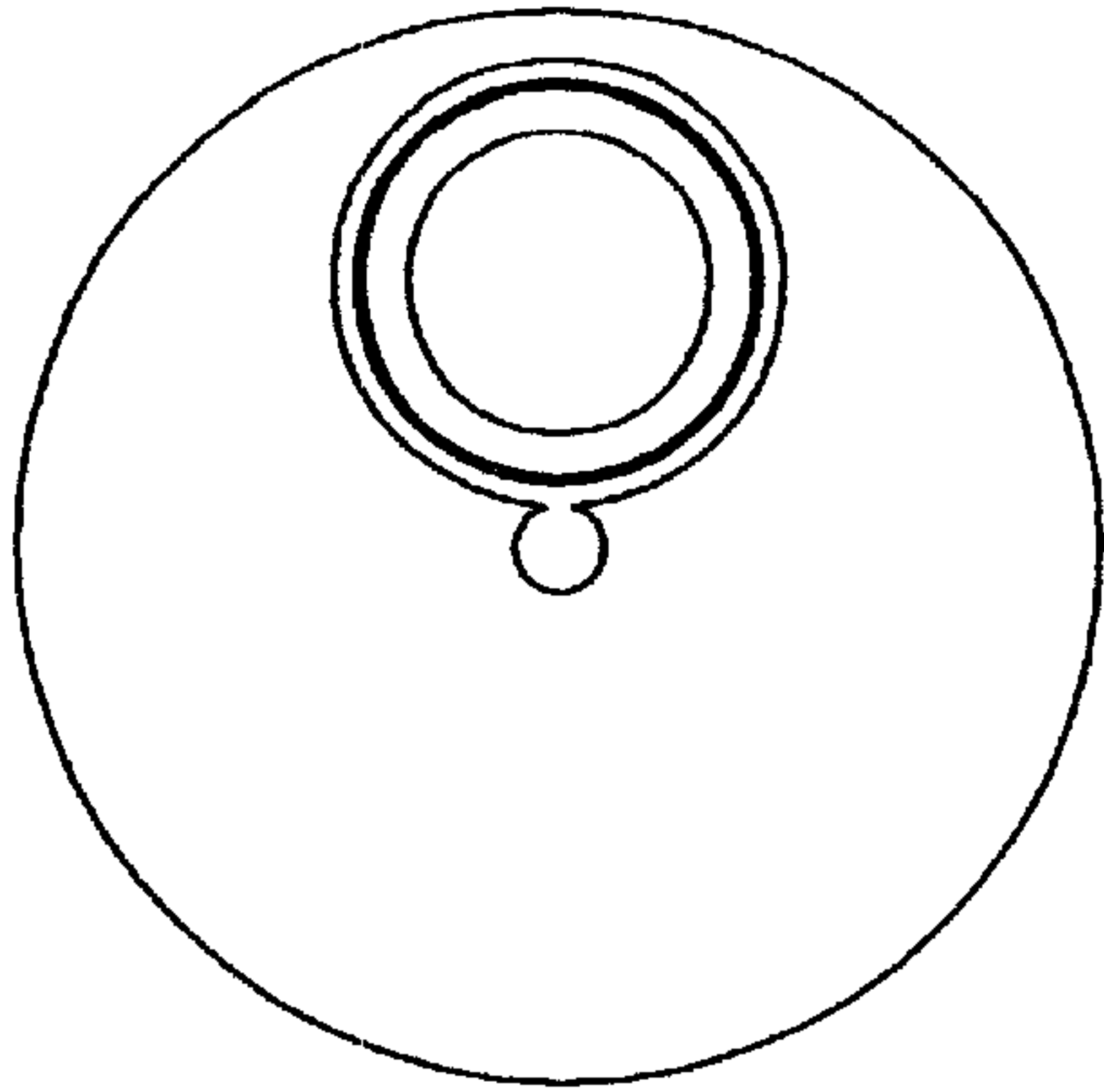


FIG. 2

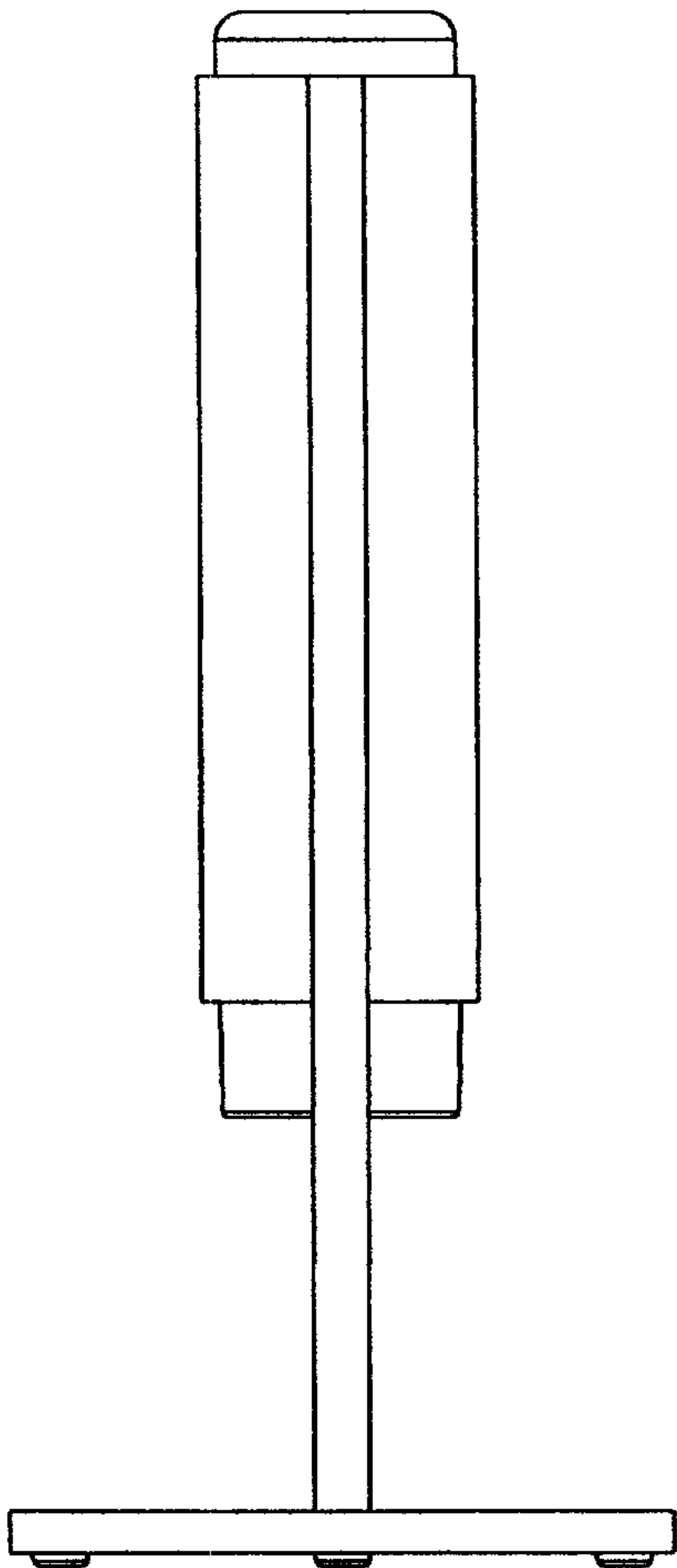


FIG. 3

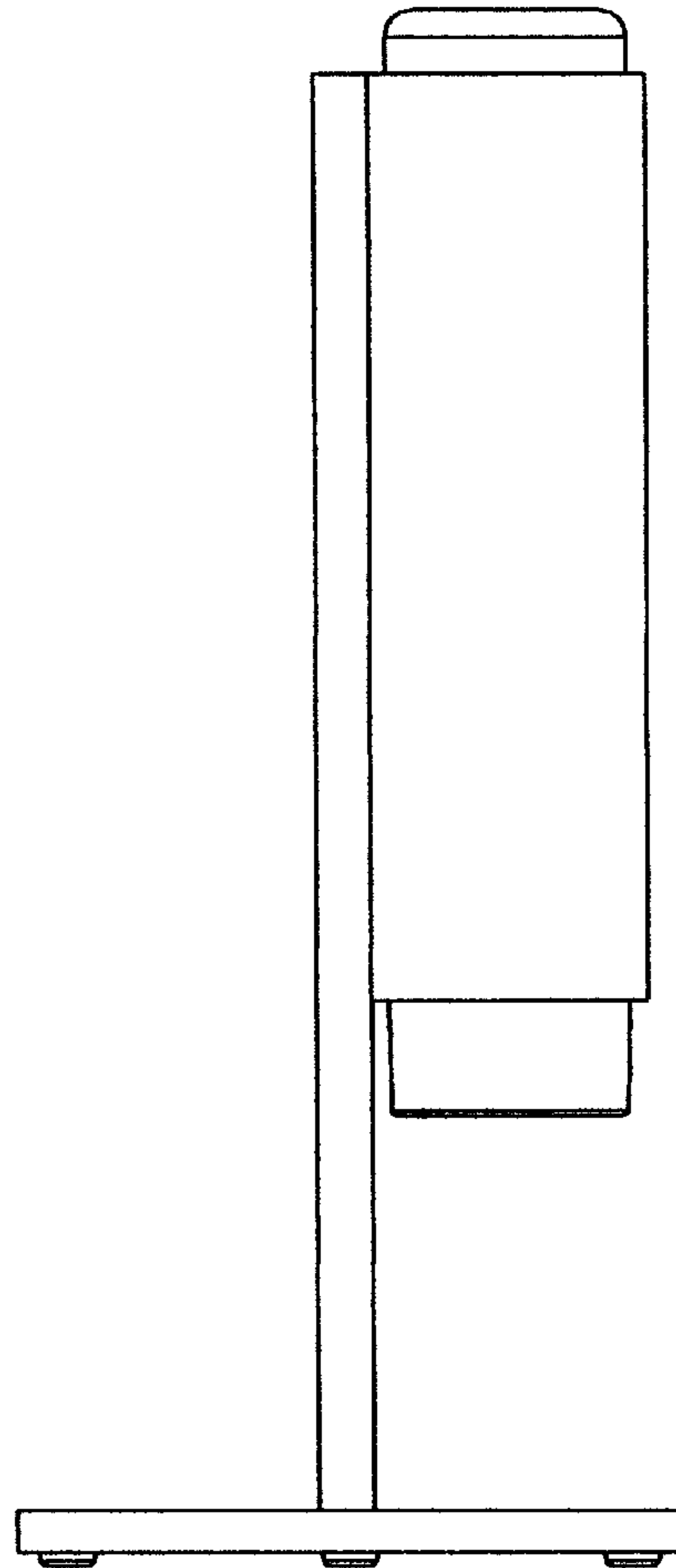


FIG. 4

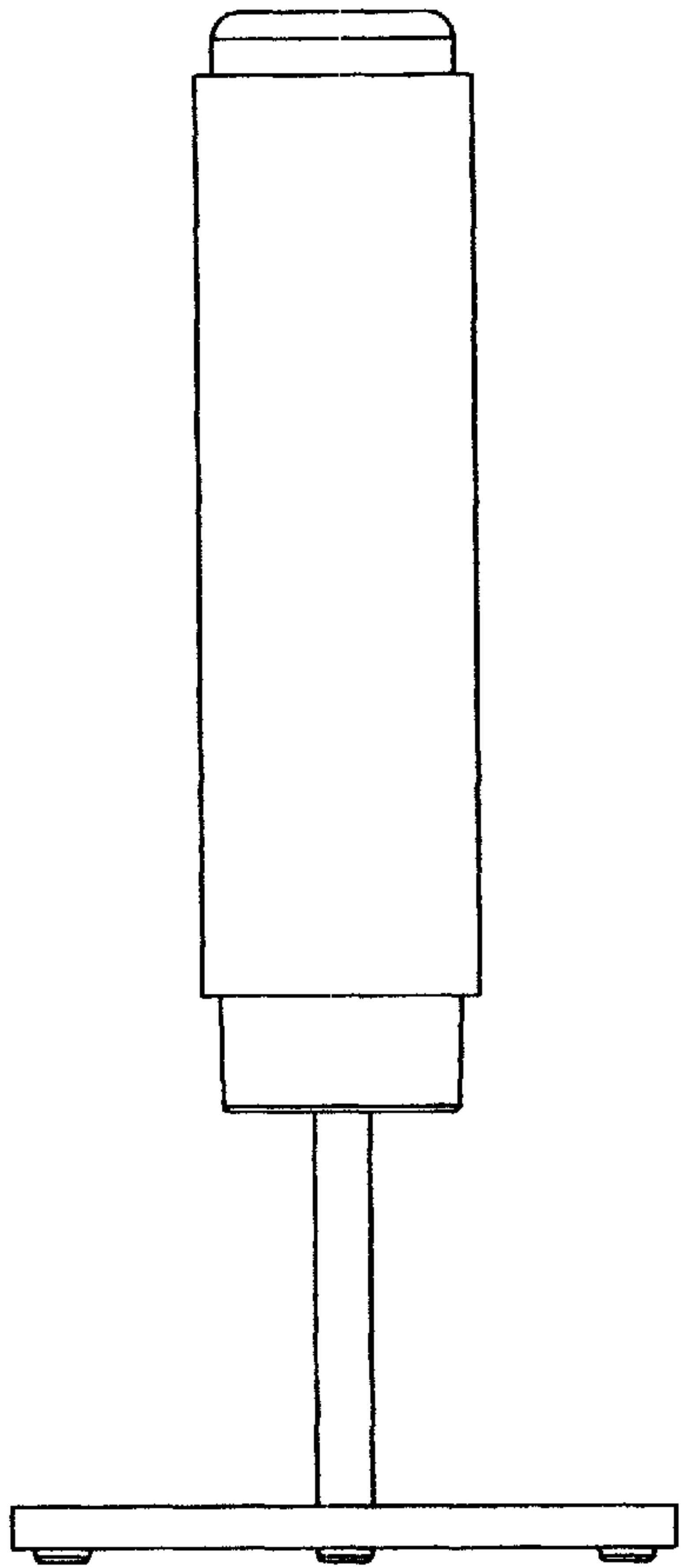


FIG. 5

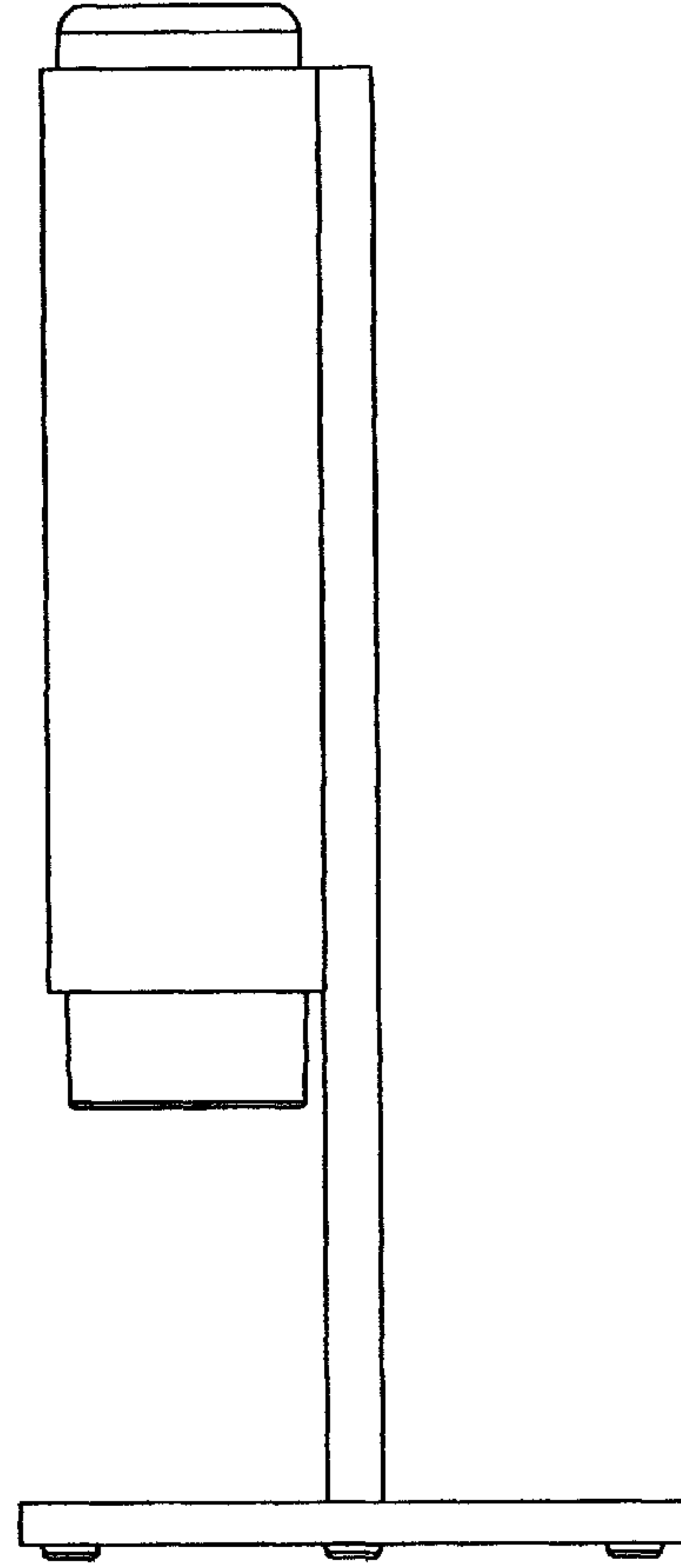


FIG. 6

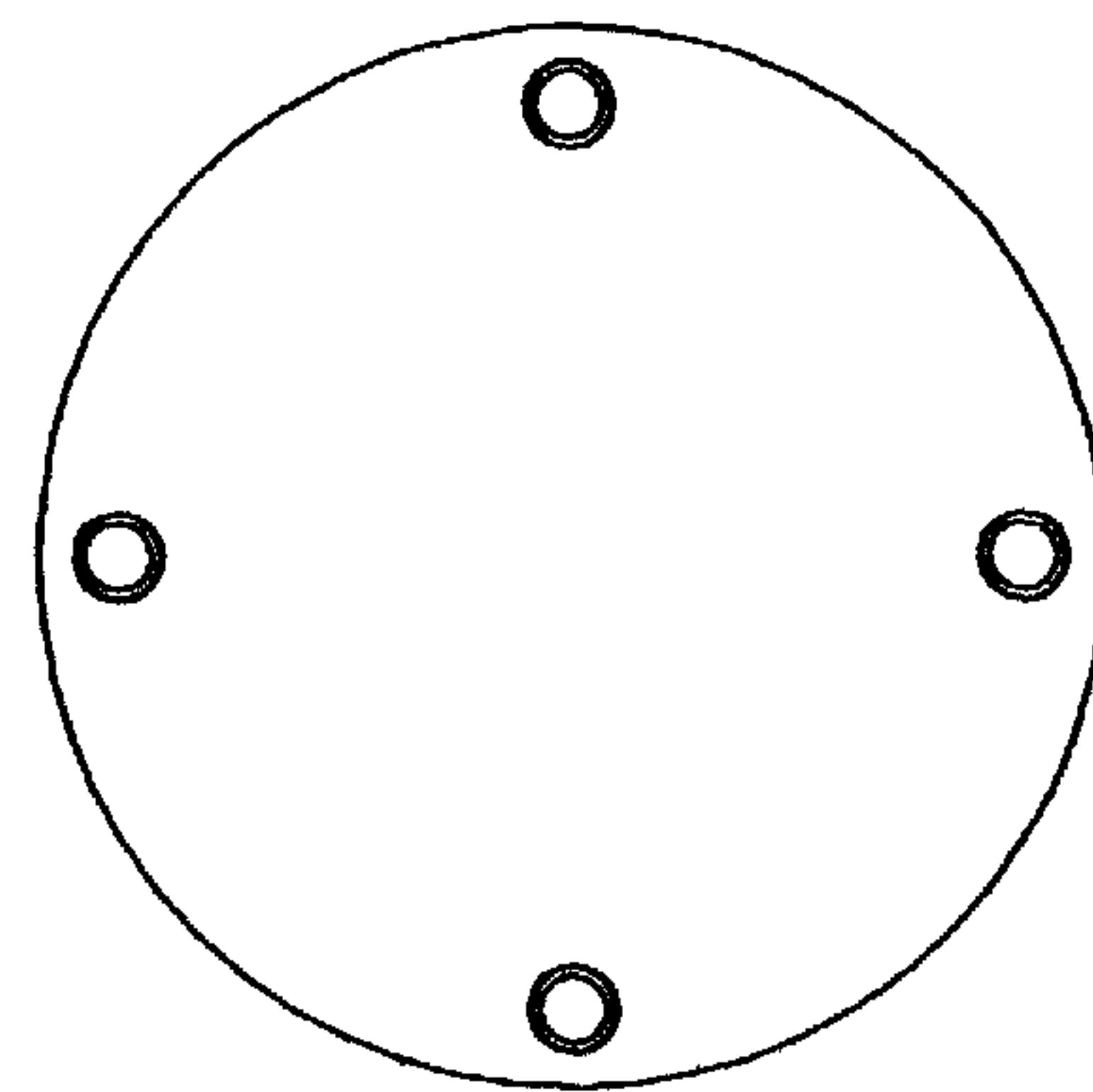


FIG. 7

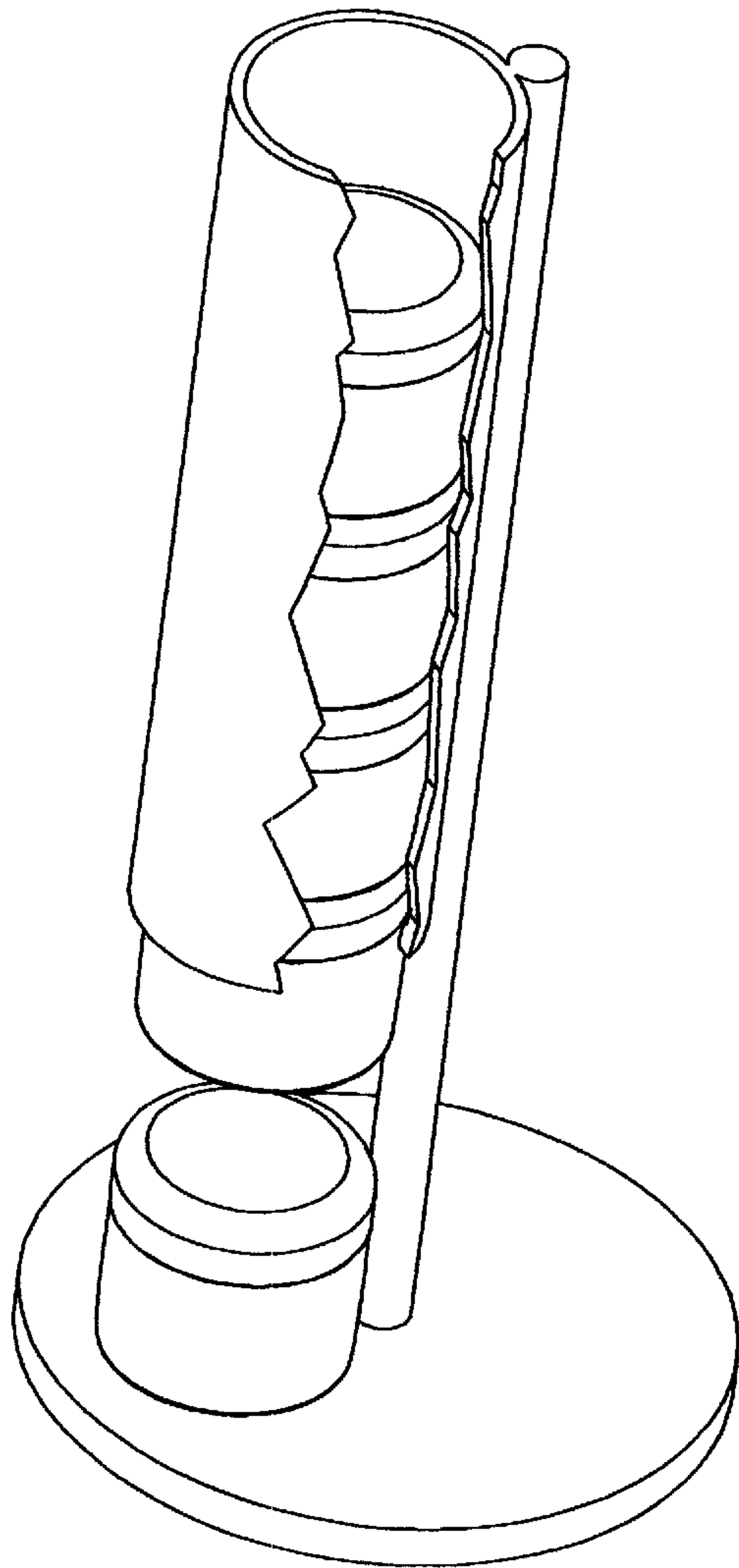


FIG. 8

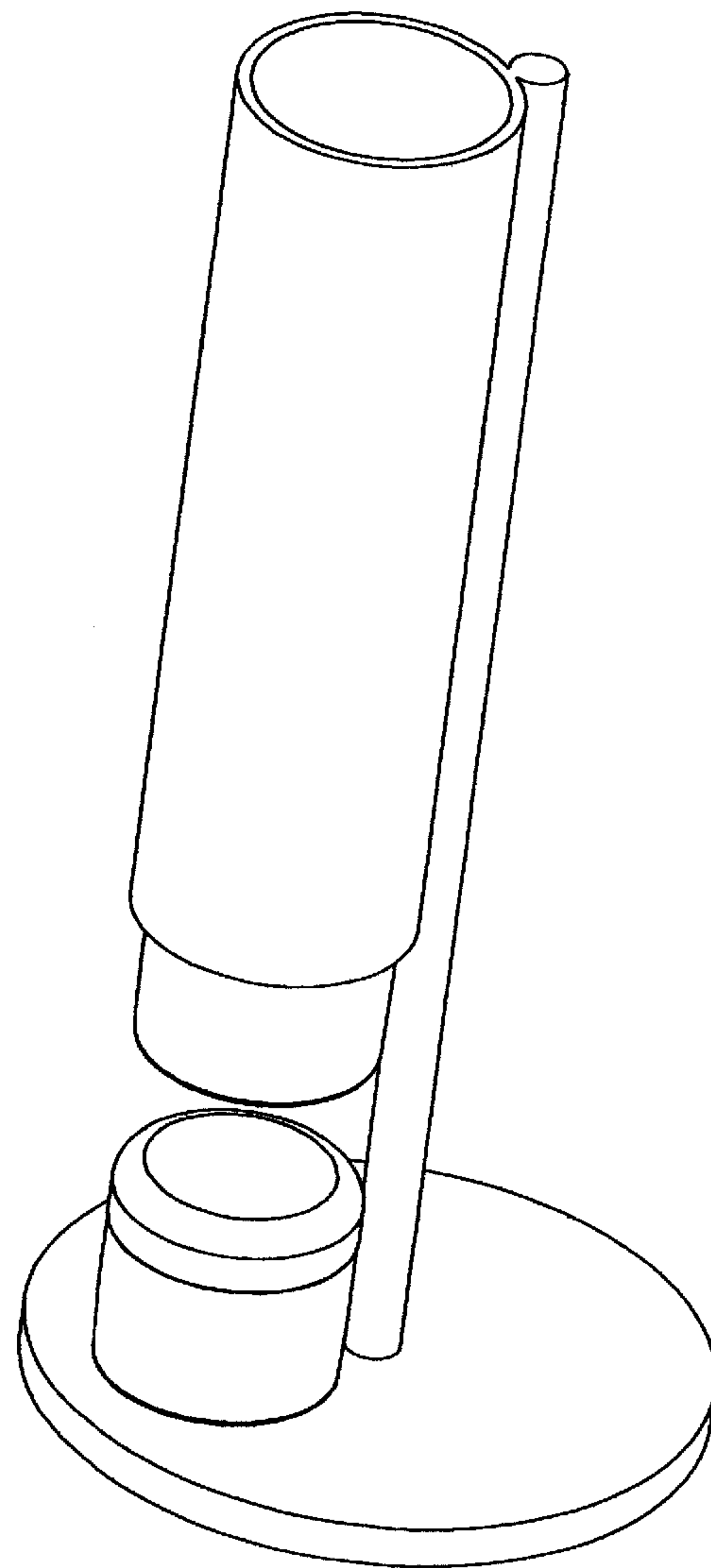


FIG. 9