

US00D541087S

(12) **United States Design Patent**
Vong

(10) **Patent No.:** **US D541,087 S**

(45) **Date of Patent:** **** Apr. 24, 2007**

(54) **SEAT AND BACK REST FOR A CHAIR**

(75) Inventor: **Andy S. Vong**, Venice, CA (US)

(73) Assignee: **True Seating Concepts, LLC** (MU)

(**) Term: **14 Years**

(21) Appl. No.: **29/259,560**

(22) Filed: **May 11, 2006**

(51) **LOC (8) Cl.** **06-06**

(52) **U.S. Cl.** **D6/500; D6/366**

(58) **Field of Classification Search** D6/334-336,
D6/356, 364, 366, 367, 500-502; 297/411.44,
297/452.21, 452.24, 452.26, 452.29, 452.33,
297/452.35, 452.37, 452.48

See application file for complete search history.

(56) **References Cited**

U.S. PATENT DOCUMENTS

| | | | | | |
|------------|---|---------|-------|-------|--------|
| D495,169 S | * | 8/2004 | True | | D6/500 |
| D504,040 S | * | 4/2005 | True | | D6/500 |
| D505,814 S | * | 6/2005 | Egger | | D6/500 |
| D511,260 S | * | 11/2005 | True | | D6/366 |

D515,339 S * 2/2006 Egger D6/500

* cited by examiner

Primary Examiner—Mimosa De

(74) *Attorney, Agent, or Firm*—Morland C. Fischer

(57) **CLAIM**

The ornamental design for a seat and back rest for a chair, as shown and described.

DESCRIPTION

FIG. 1 is a perspective view showing the top, left side and front of a seat and back rest for a chair which forms my new design, the broken lines of other parts of the chair in this and other figures being for illustrative purposes only and forming no part of my design;

FIG. 2 is an enlarged left side elevational view thereof;

FIG. 3 is an enlarged right side elevational view thereof;

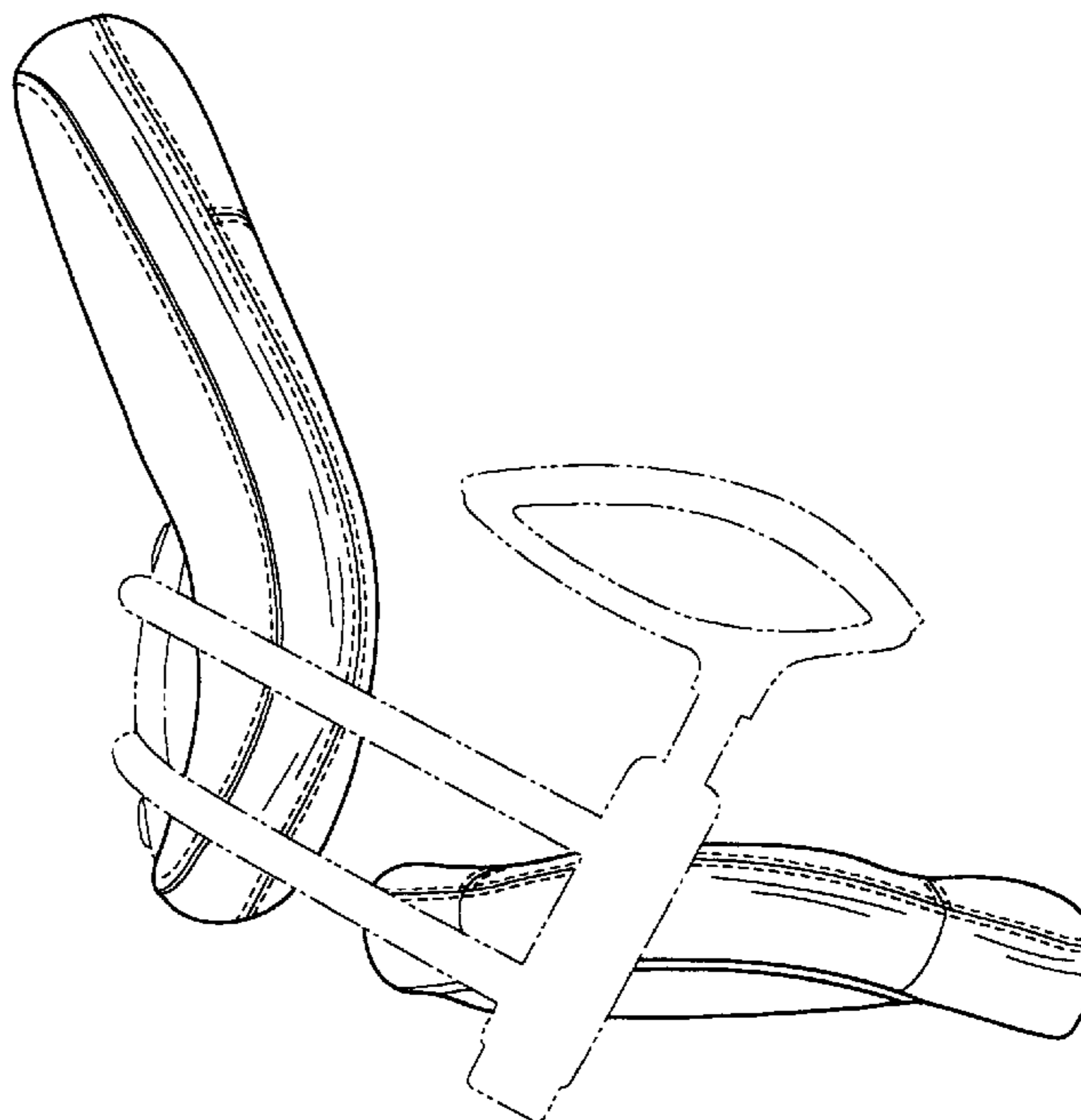
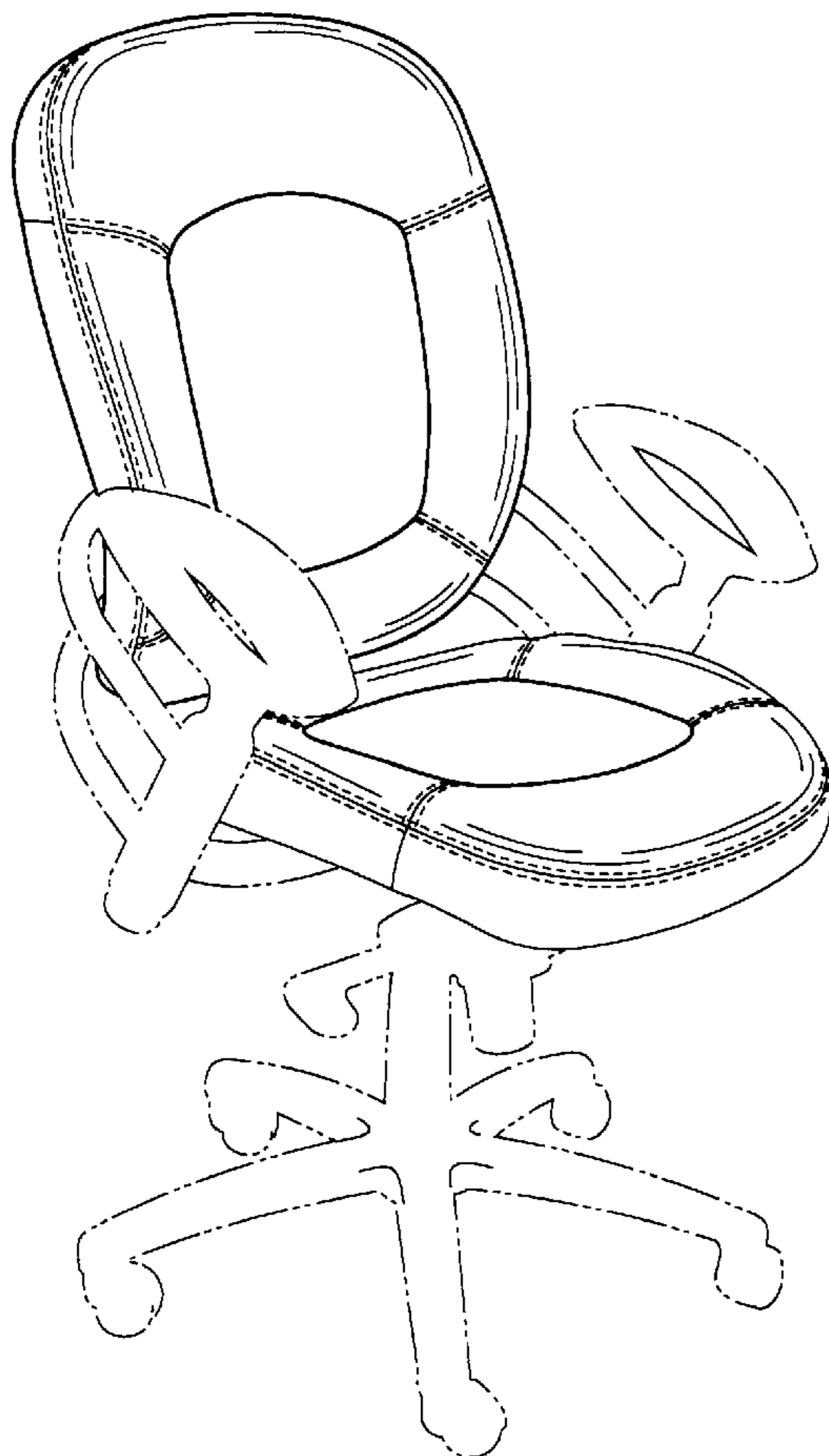
FIG. 4 is an enlarged rear elevational view thereof;

FIG. 5 is an enlarged top plan view thereof; and,

FIG. 6 is an enlarged front elevational view.

The short, broken lines on the chair in FIGS. 1-6 are understood to represent stitching.

1 Claim, 6 Drawing Sheets



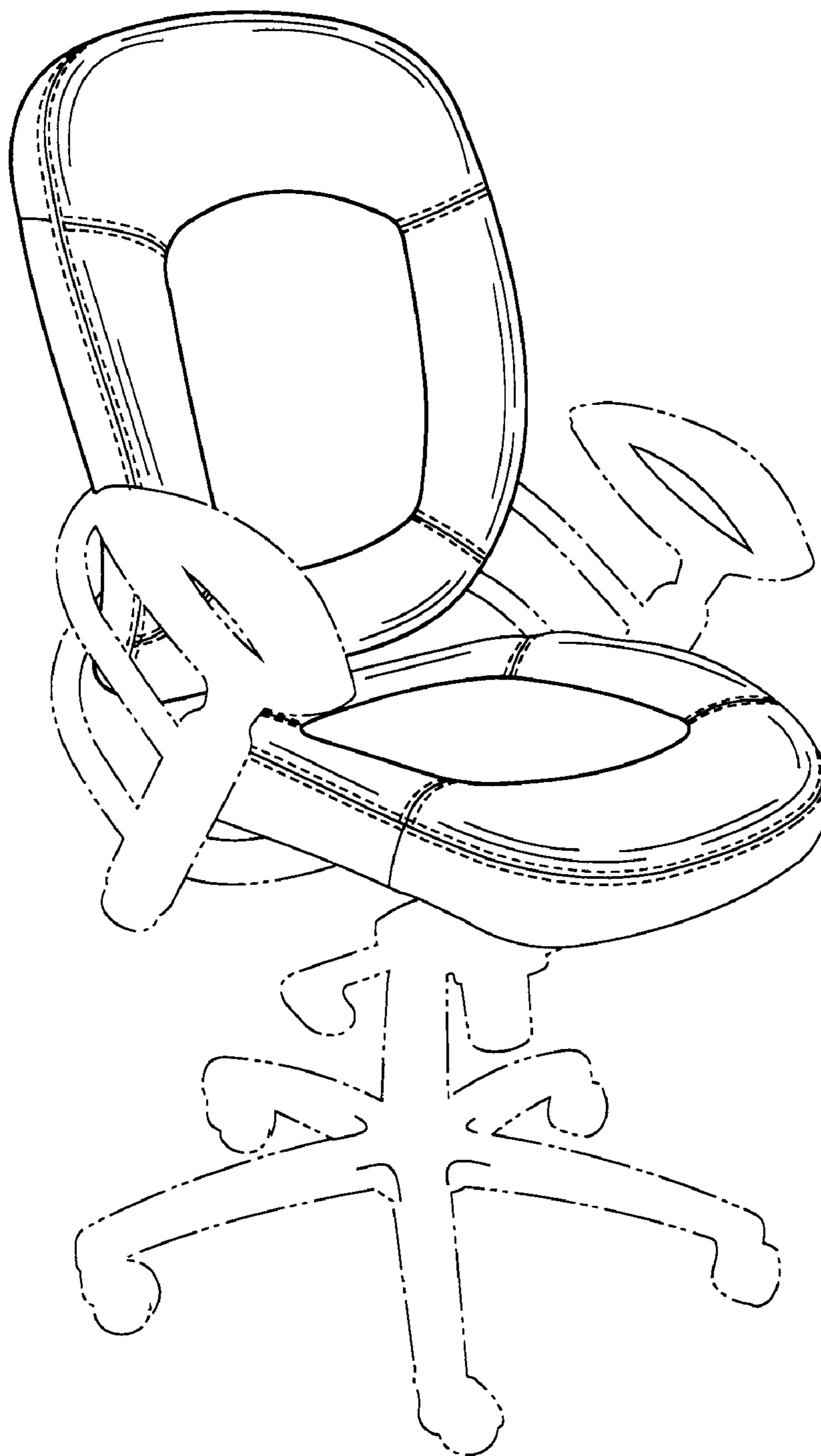


FIG. 1

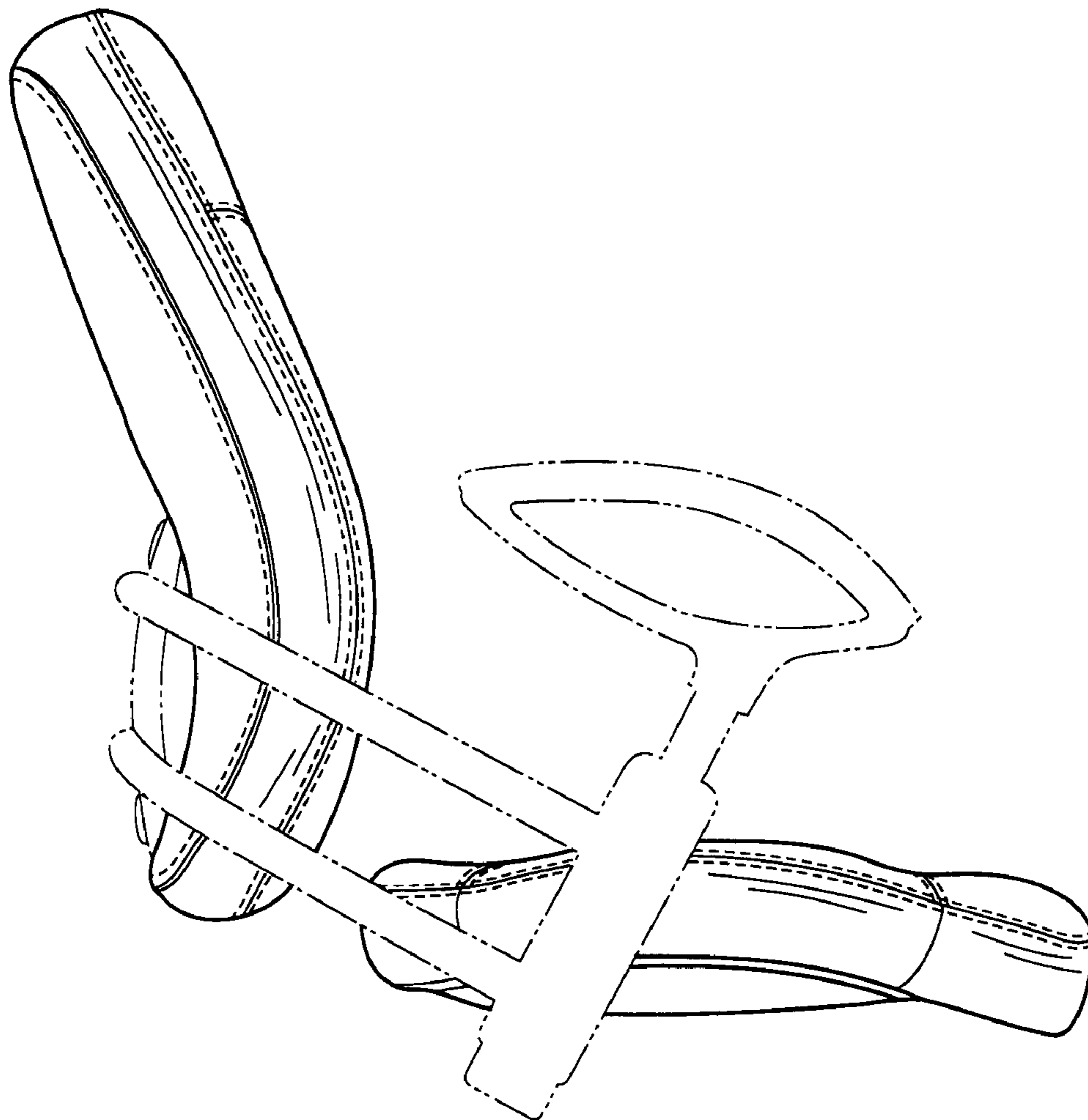


FIG. 2

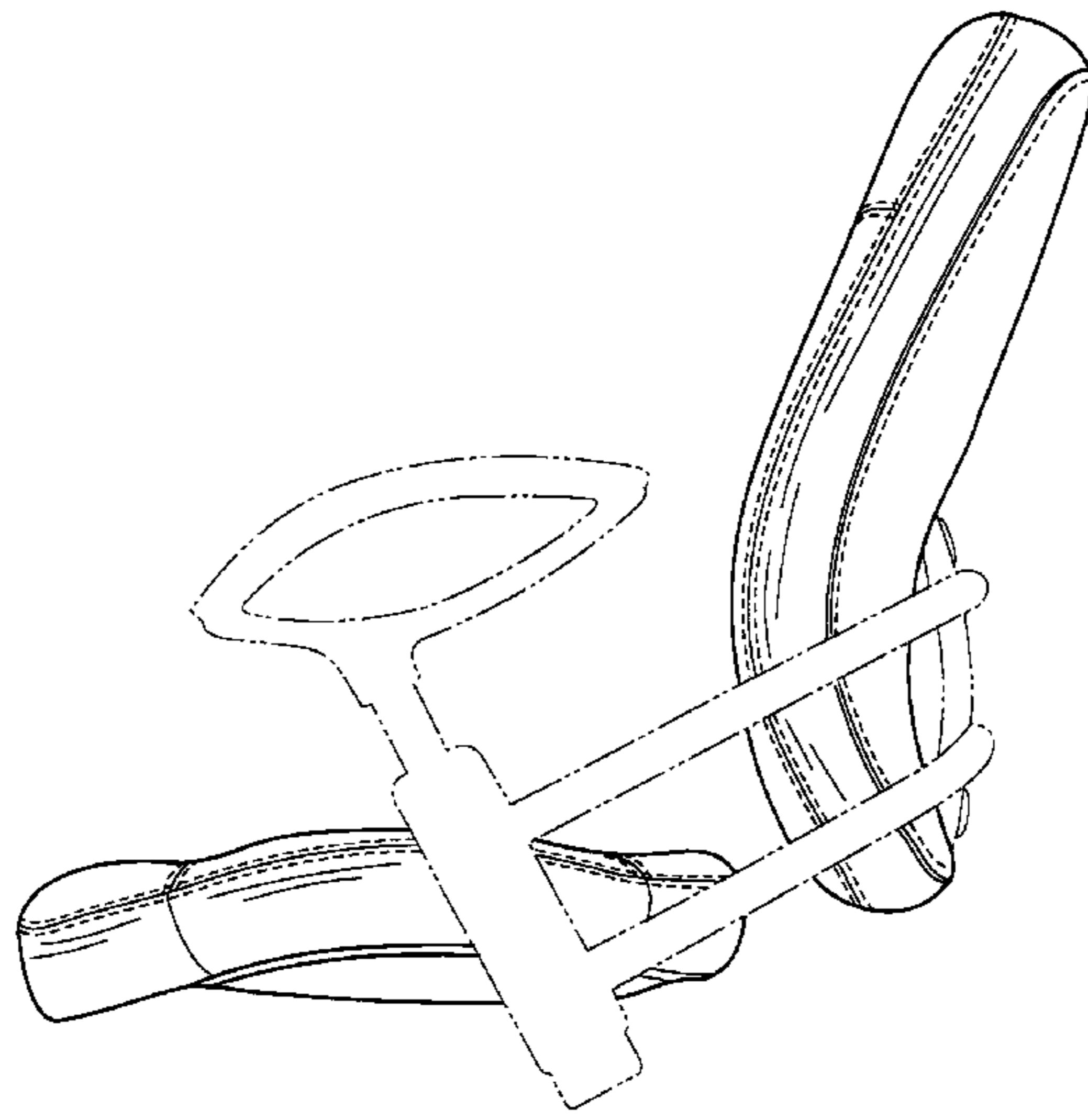


FIG. 3

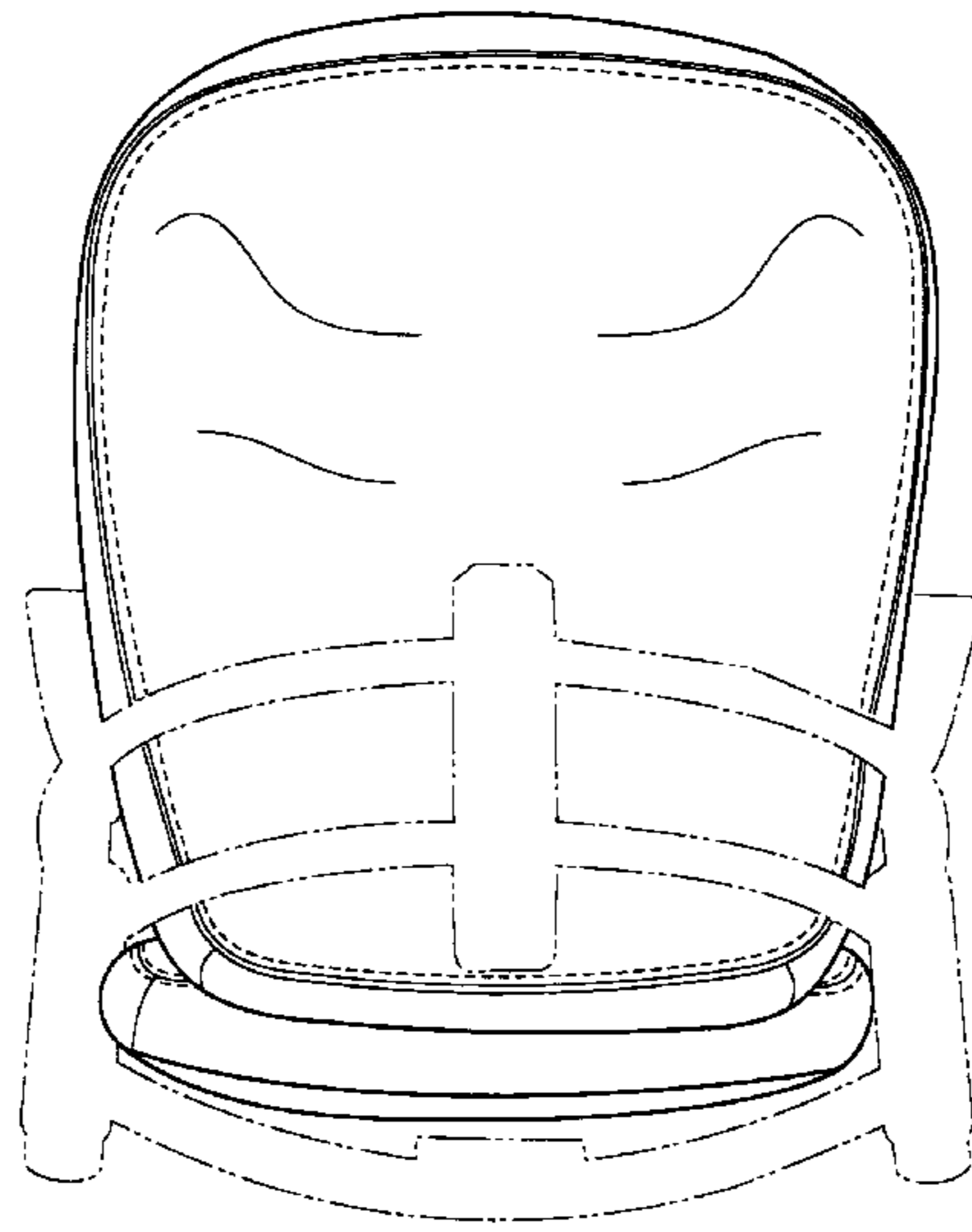


FIG. 4

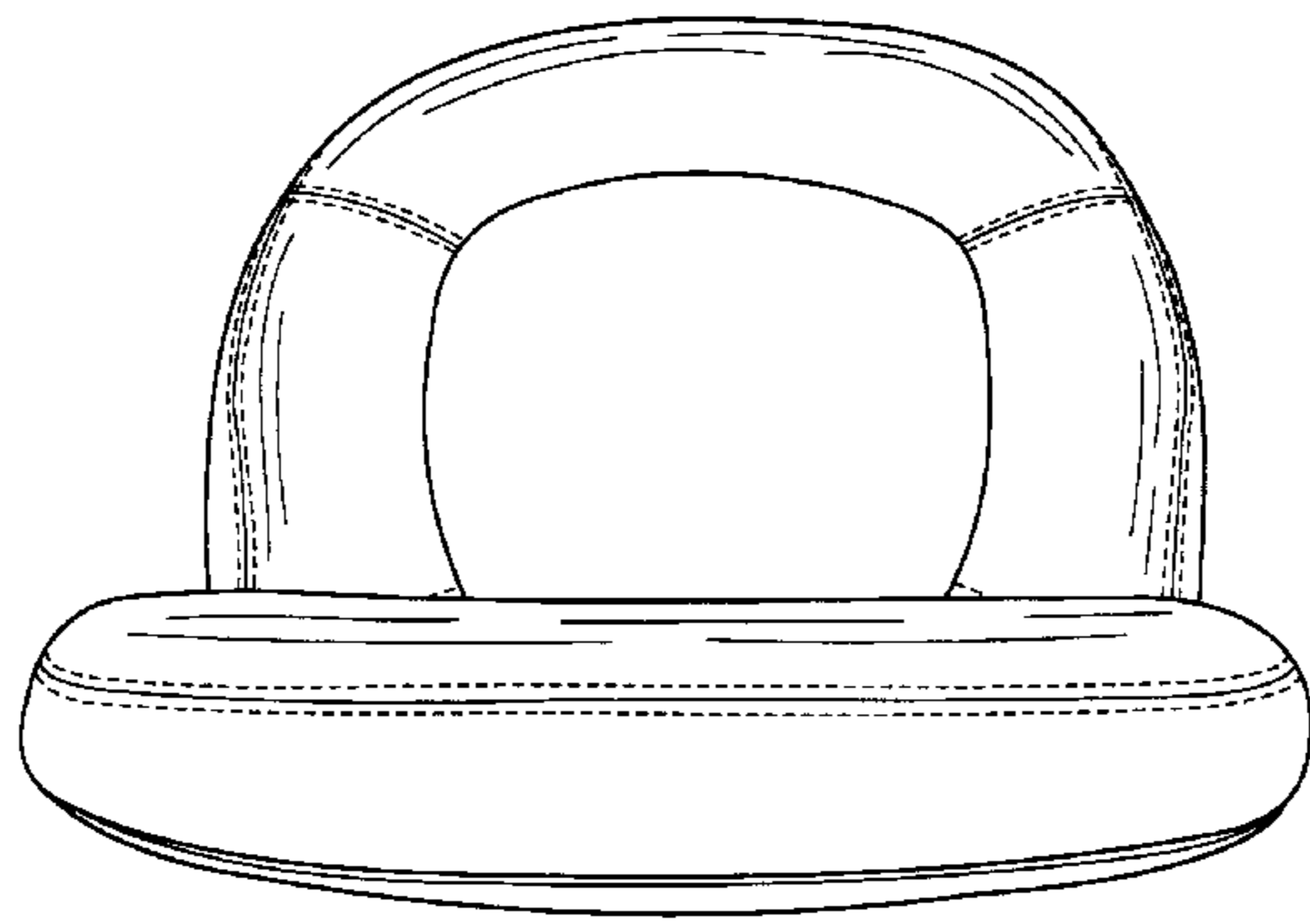


FIG. 5

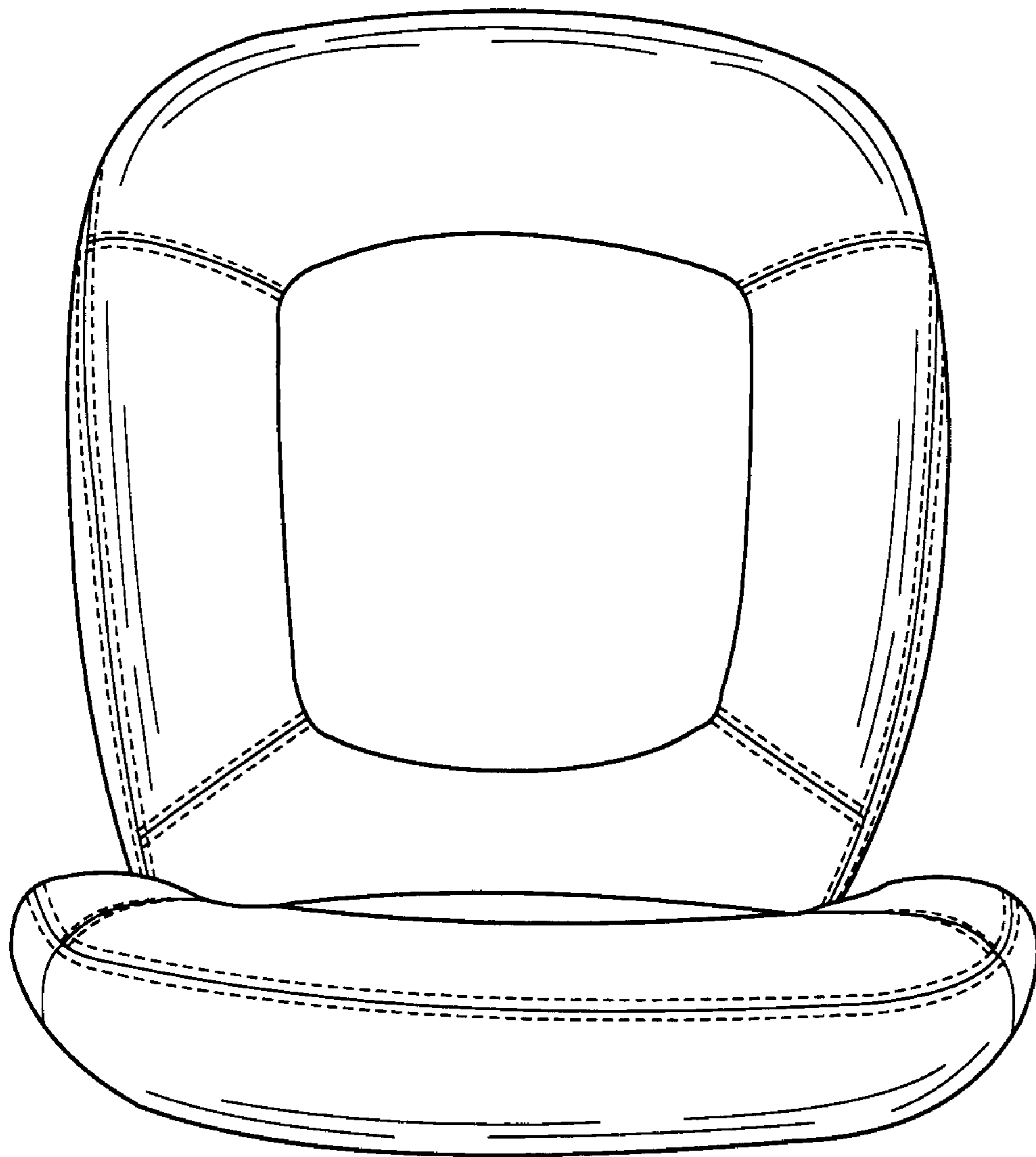


FIG. 6