

US00D541086S

(12) **United States Design Patent**  
**McNamee et al.**

(10) **Patent No.:** **US D541,086 S**

(45) **Date of Patent:** **\*\* Apr. 24, 2007**

(54) **SEAT CUSHION AND BACK PAD OF A CHAIR**

(75) Inventors: **Tom McNamee**, 9F-1, No. 105, Lane 185, Dong Cheng Street, Tainan (TW); **John Somerset Pemberton**, 329A 18th St., No. 2, Brooklyn, NY (US) 11215; **Yu-Ling Wu**, Tainan Hsien (TW)

(73) Assignees: **Comfordy Co., Ltd.**, Tainan Hsien (TW); **Tom McNamee**, Tainan (TW); **John Somerset Pemberton**, Brooklyn, NY (US)

(\*\*) Term: **14 Years**

(21) Appl. No.: **29/228,748**

(22) Filed: **Apr. 28, 2005**

(51) **LOC (8) Cl.** ..... **06-01**

(52) **U.S. Cl.** ..... **D6/500**

(58) **Field of Classification Search** ..... D6/500, D6/501, 502, 26, 30, 31, 67, 364-367, 379, D6/498; 108/118-120, 131; 248/150, 166; 297/16.1, 51, 56, 452.21, 461

See application file for complete search history.

(56) **References Cited**

**U.S. PATENT DOCUMENTS**

D276,766 S \* 12/1984 Truette ..... D6/366

D313,896 S \* 1/1991 Kaye ..... D6/365  
5,171,060 A \* 12/1992 Kaye ..... 297/188.09  
D372,618 S \* 8/1996 Sulzer ..... D6/500  
D395,172 S \* 6/1998 Pate ..... D6/366  
2006/0250019 A1 \* 11/2006 Wu ..... 297/452.21

\* cited by examiner

*Primary Examiner*—Robert M. Spear

*Assistant Examiner*—Katrina A. Kile

(74) *Attorney, Agent, or Firm*—Rosenberg, Klein & Lee

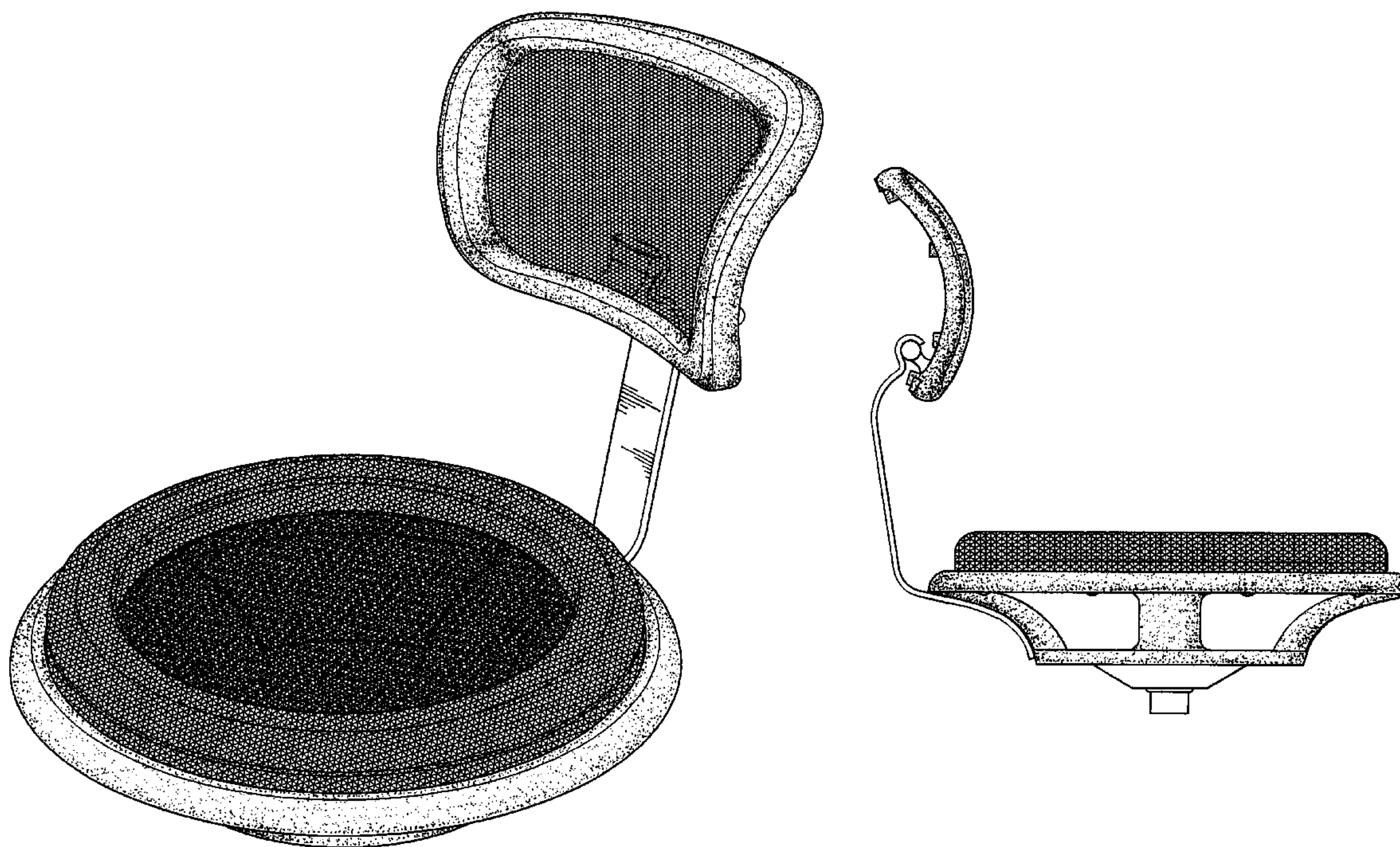
(57) **CLAIM**

The ornamental design for a seat cushion and back pad of a chair, as shown and described.

**DESCRIPTION**

FIG. 1 is a perspective view of a seat cushion and back pad of a chair showing my new design; FIG. 2 is a front elevational view thereof; FIG. 3 is a rear elevational view thereof; FIG. 4 is a left side elevational view thereof; FIG. 5 is a right side elevational view thereof; FIG. 6 is a top plan view thereof; and, FIG. 7 is a bottom plan view thereof; and, FIG. 8 is a perspective view thereof, wherein the broken line showing of the seat cushion and back pad of a chair is for illustrative purposes, and forms no part of the claimed design.

**1 Claim, 5 Drawing Sheets**





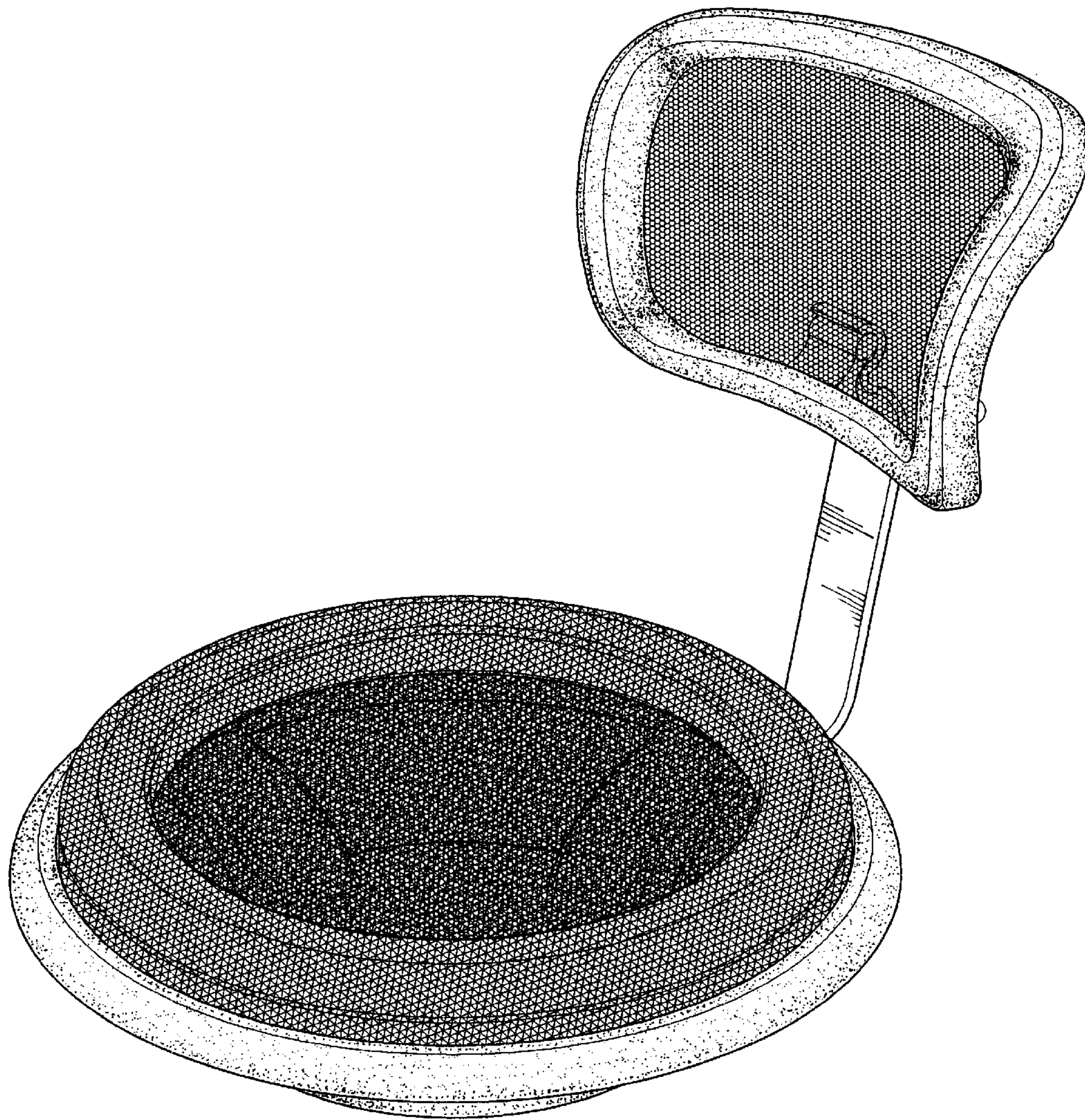


FIG. 1



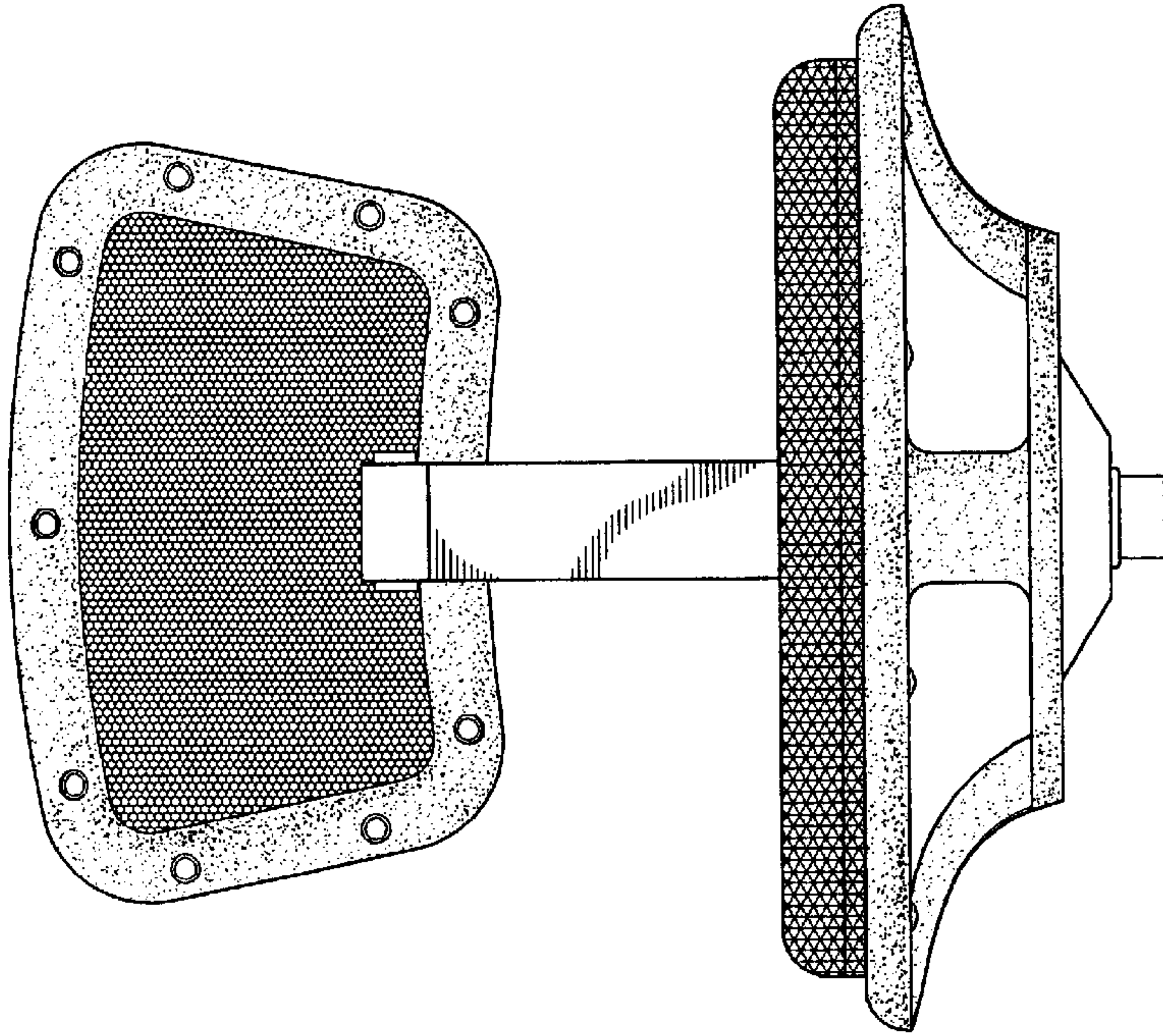


FIG. 3

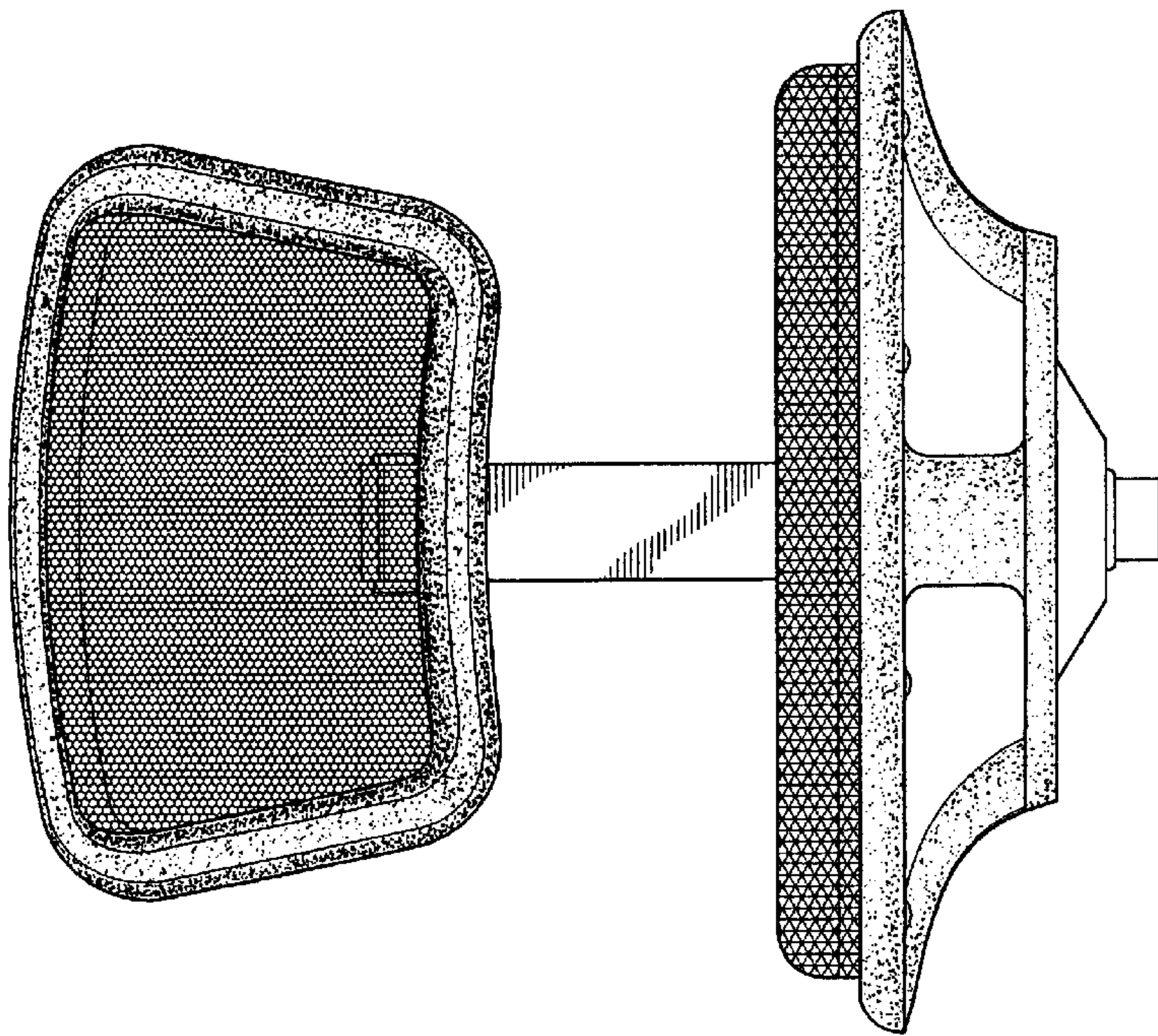


FIG. 2

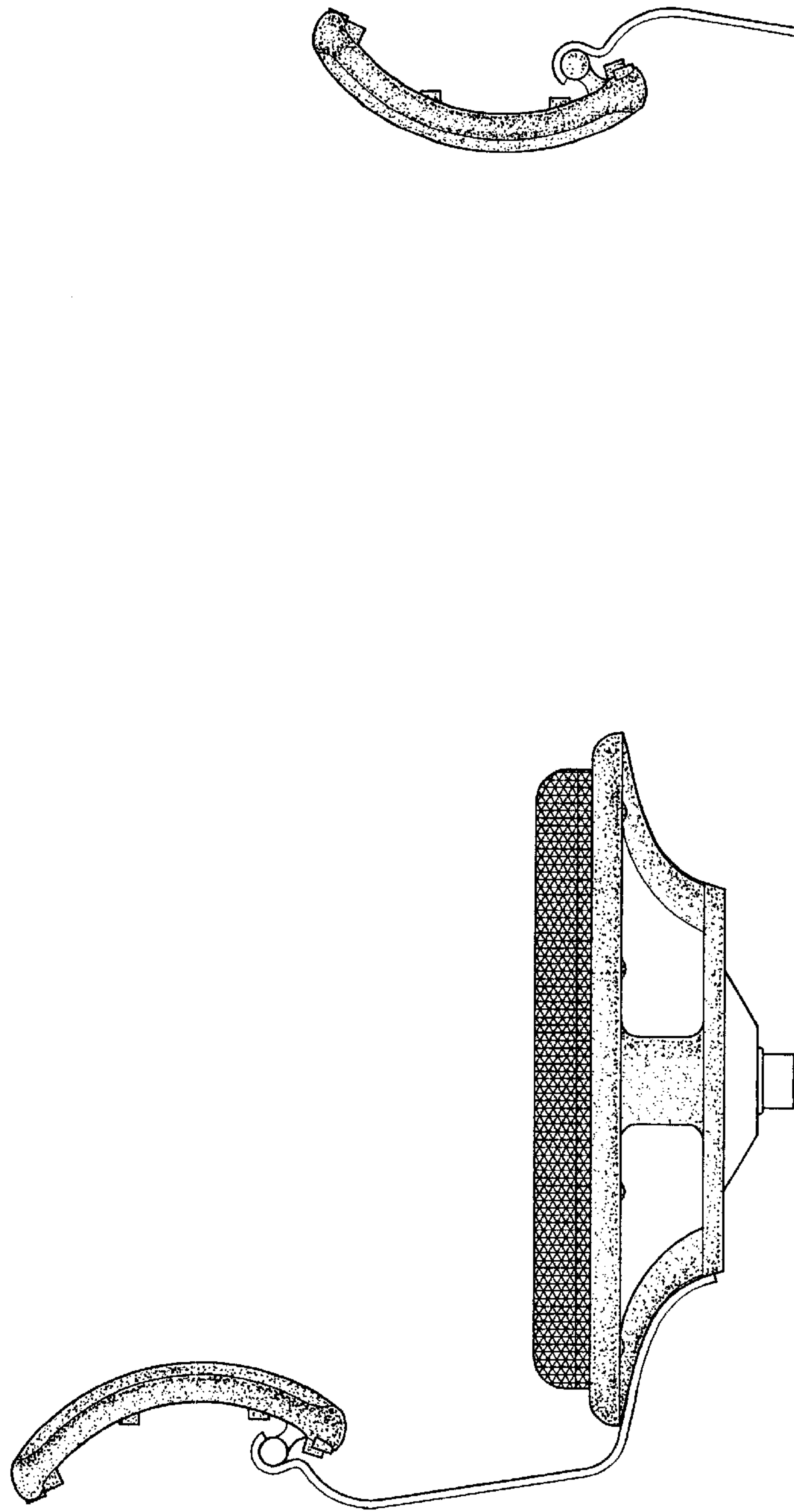


FIG. 4

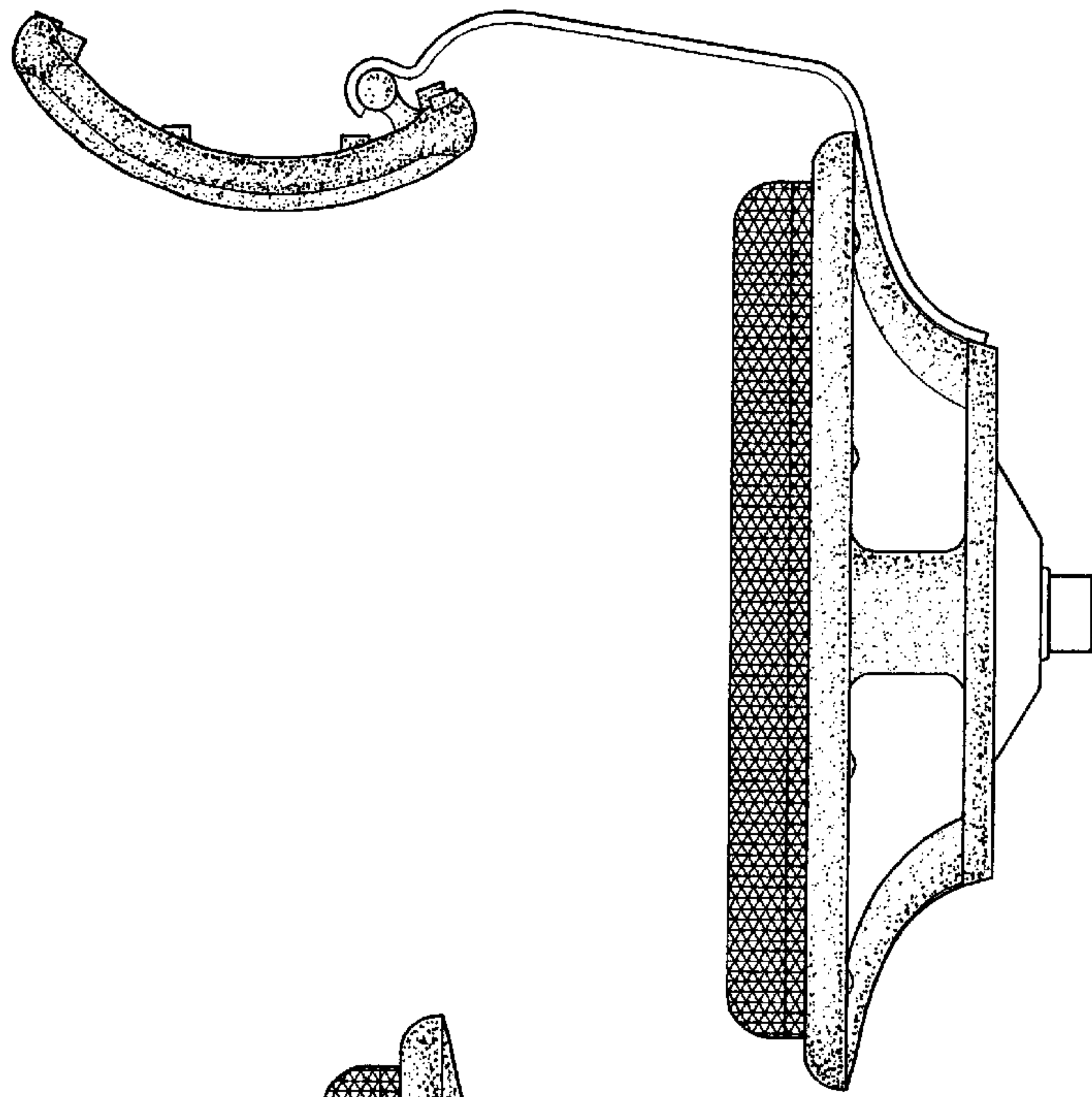


FIG. 5



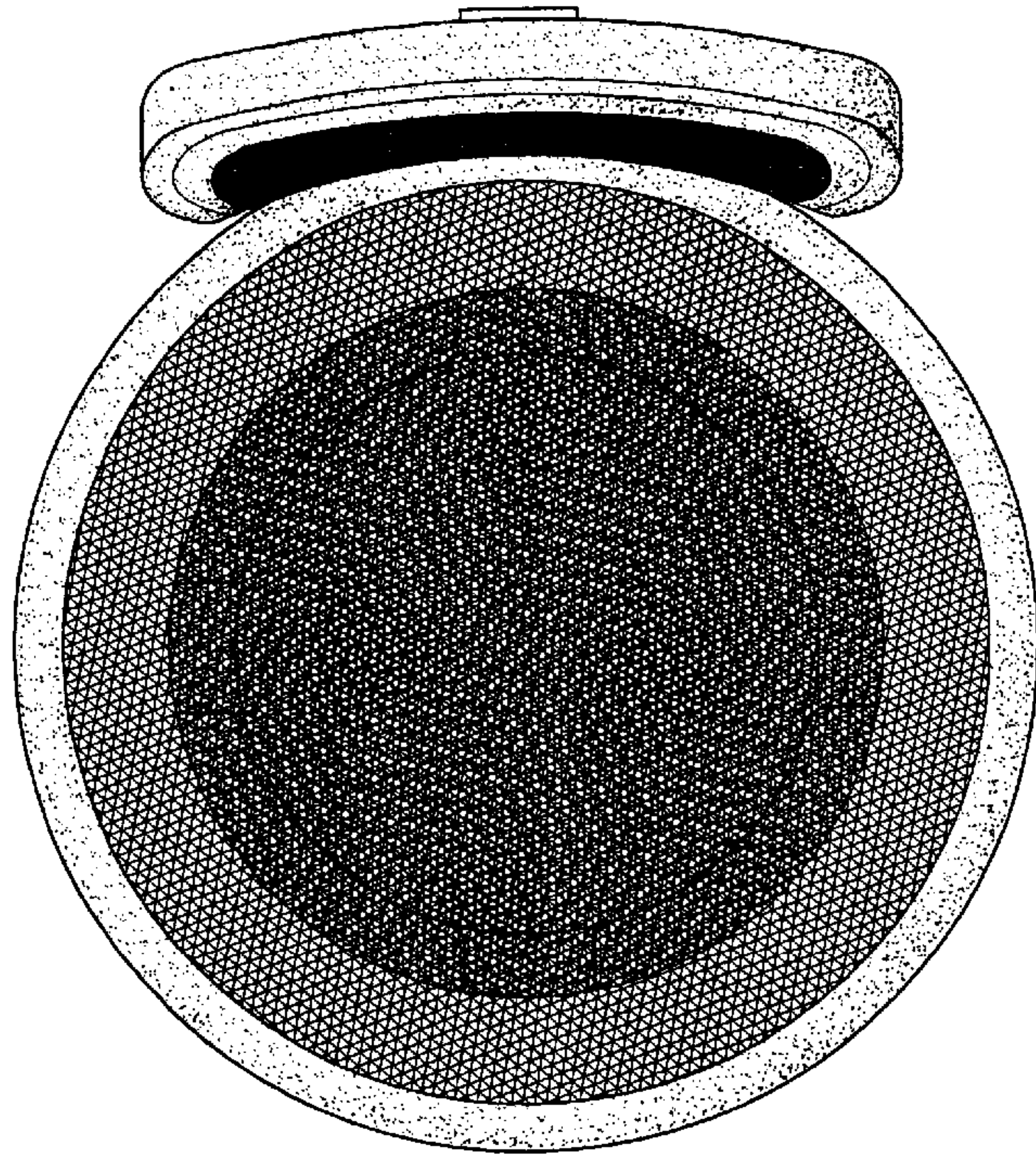


FIG. 6

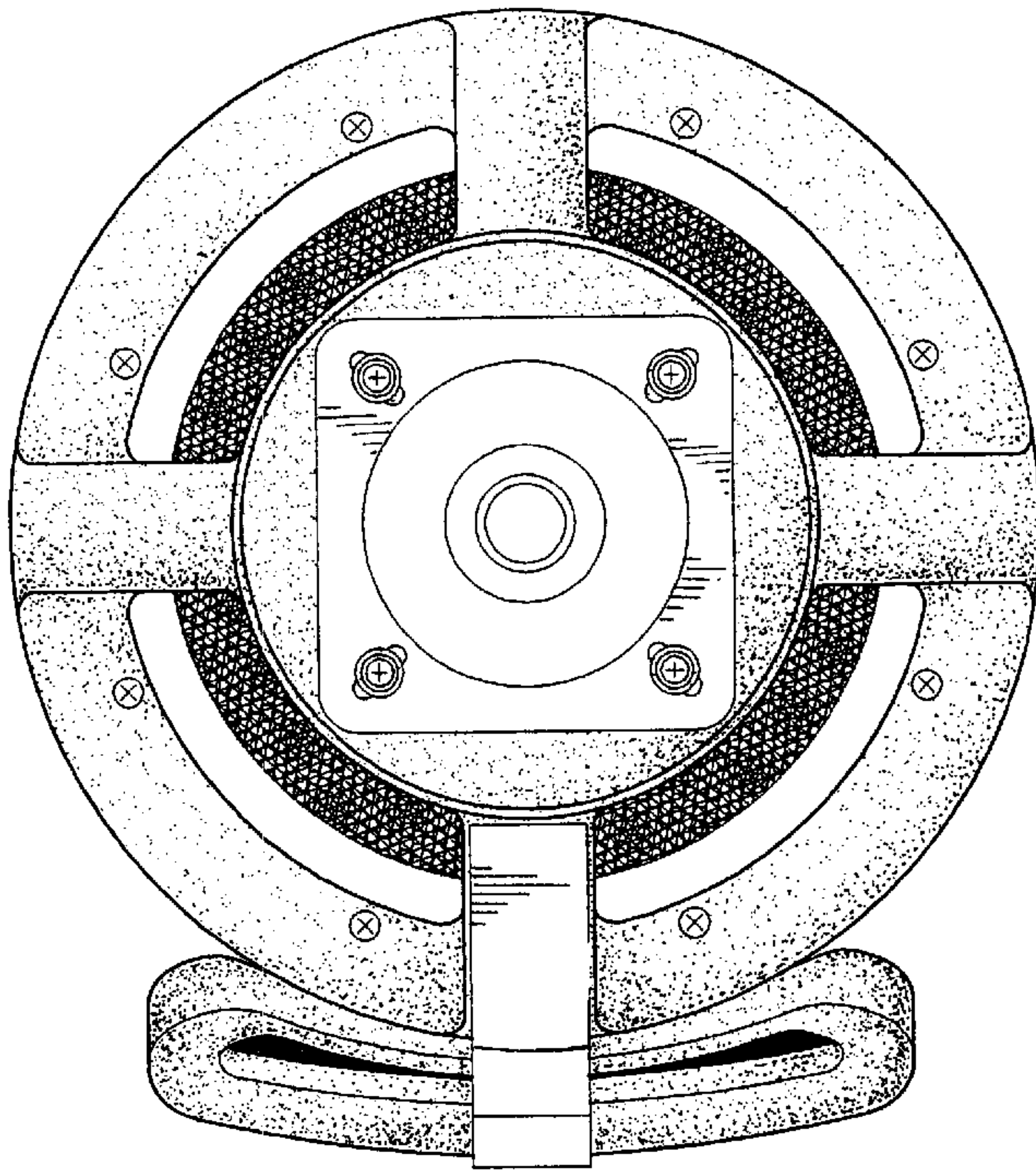


FIG. 7



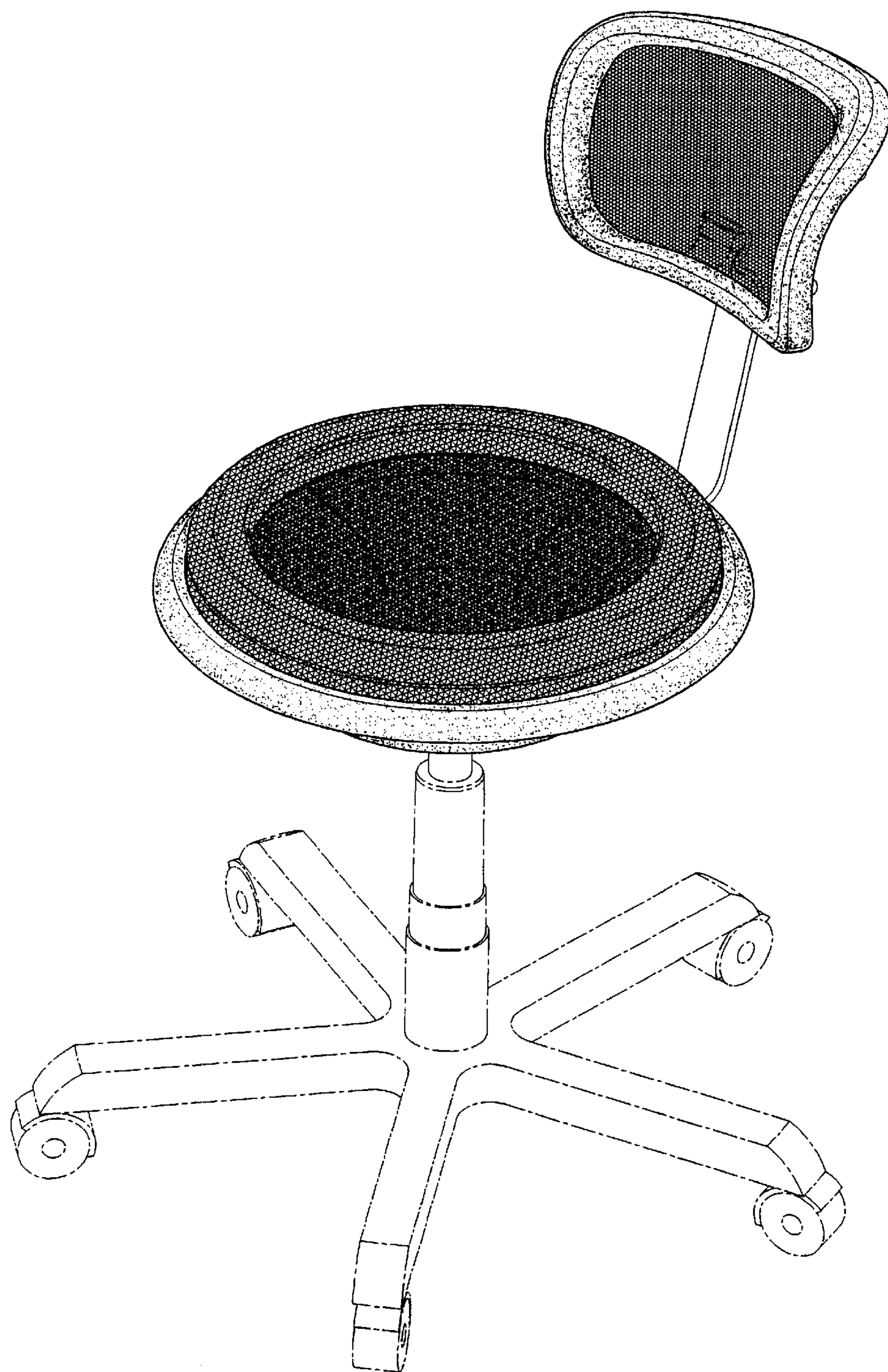


FIG. 8