



US00D541085S

(12) **United States Design Patent**
Marsilio

(10) **Patent No.:** **US D541,085 S**
(45) **Date of Patent:** **** Apr. 24, 2007**

(54) **DISPLAY BASE**

(75) Inventor: **Ronald M. Marsilio**, Lake Wiley, SC (US)

(73) Assignee: **Alpha Security Products, Inc.**, Charlotte, NC (US)

(**) Term: **14 Years**

(21) Appl. No.: **29/245,414**

(22) Filed: **Dec. 22, 2005**

(51) **LOC (8) Cl.** **06-06**

(52) **U.S. Cl.** **D6/495**

(58) **Field of Classification Search** D6/495,
D6/480-489, 496, 458, 465, 499, 455, 332,
D6/509; D11/131; D8/374, 375; 211/78,
211/163; 248/188, 188.1, 188.8; 108/150,
108/155, 156, 157.1, 161

See application file for complete search history.

(56) **References Cited**

U.S. PATENT DOCUMENTS

D194,466 S	*	1/1963	Johnson	D6/414
D376,713 S	*	12/1996	Kelso	D6/496
D385,437 S	*	10/1997	Carbone, Sr.	D6/449
D450,496 S	*	11/2001	Schwartz et al.	D6/495
D479,065 S	*	9/2003	Verbeek	D6/495
D528,829 S	*	9/2006	Magnusson	D6/495

* cited by examiner

Primary Examiner—Janice E. Seeger

Assistant Examiner—Sydney R. Buffalow

(74) *Attorney, Agent, or Firm*—Sand & Sebolt

(57) **CLAIM**

The ornamental design for a display base, as shown and described.

DESCRIPTION

FIG. 1 is a right side perspective view of the display base of the present invention.

FIG. 2 is a left side perspective view of the display base of the present invention.

FIG. 3 is a front elevational view of the display base shown in FIG. 1.

FIG. 4 is a right side elevational view of the display base shown in FIG. 1.

FIG. 5 is a rear elevational view of the display base shown in FIG. 1.

FIG. 6 is a left side elevational view of the display base shown in FIG. 1.

FIG. 7 is a top view of the display base shown in FIG. 1.

FIG. 8 is a bottom view of the display base shown in FIG. 1.

FIG. 9 is a right side elevational view of a second embodiment of the display base.

FIG. 10 is a left side perspective view of a second embodiment of the display base of the present invention.

FIG. 11 is a front elevational view of the display base shown in FIG. 9.

FIG. 12 is a right side elevational view of the display base shown in FIG. 9.

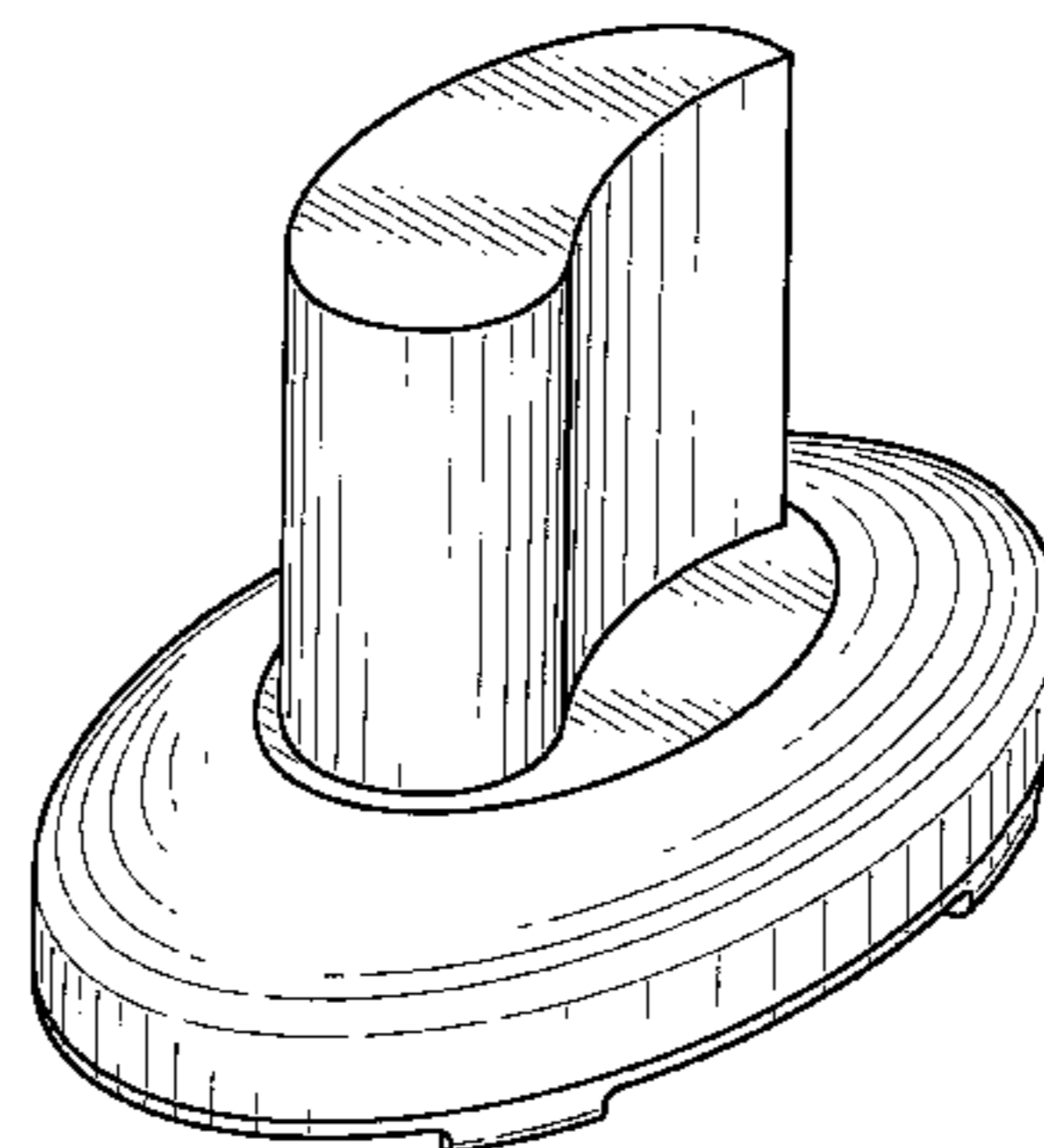
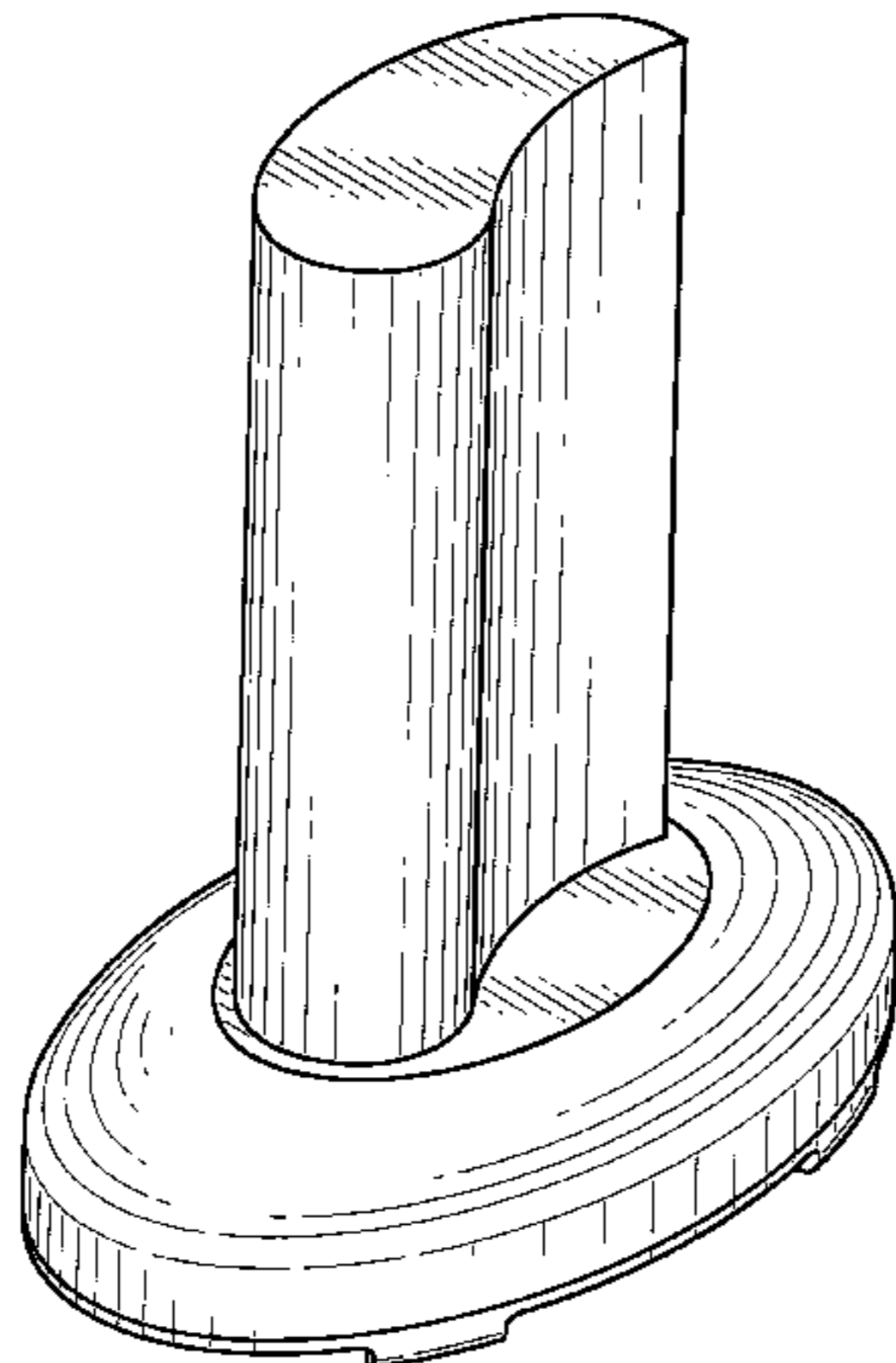
FIG. 13 is a rear elevational view of the display base shown in FIG. 9.

FIG. 14 is a left side elevational view of the display base shown in FIG. 9.

FIG. 15 is a top view of the display base shown in FIG. 9; and,

FIG. 16 is a bottom view of the display base shown in FIG. 9.

1 Claim, 6 Drawing Sheets



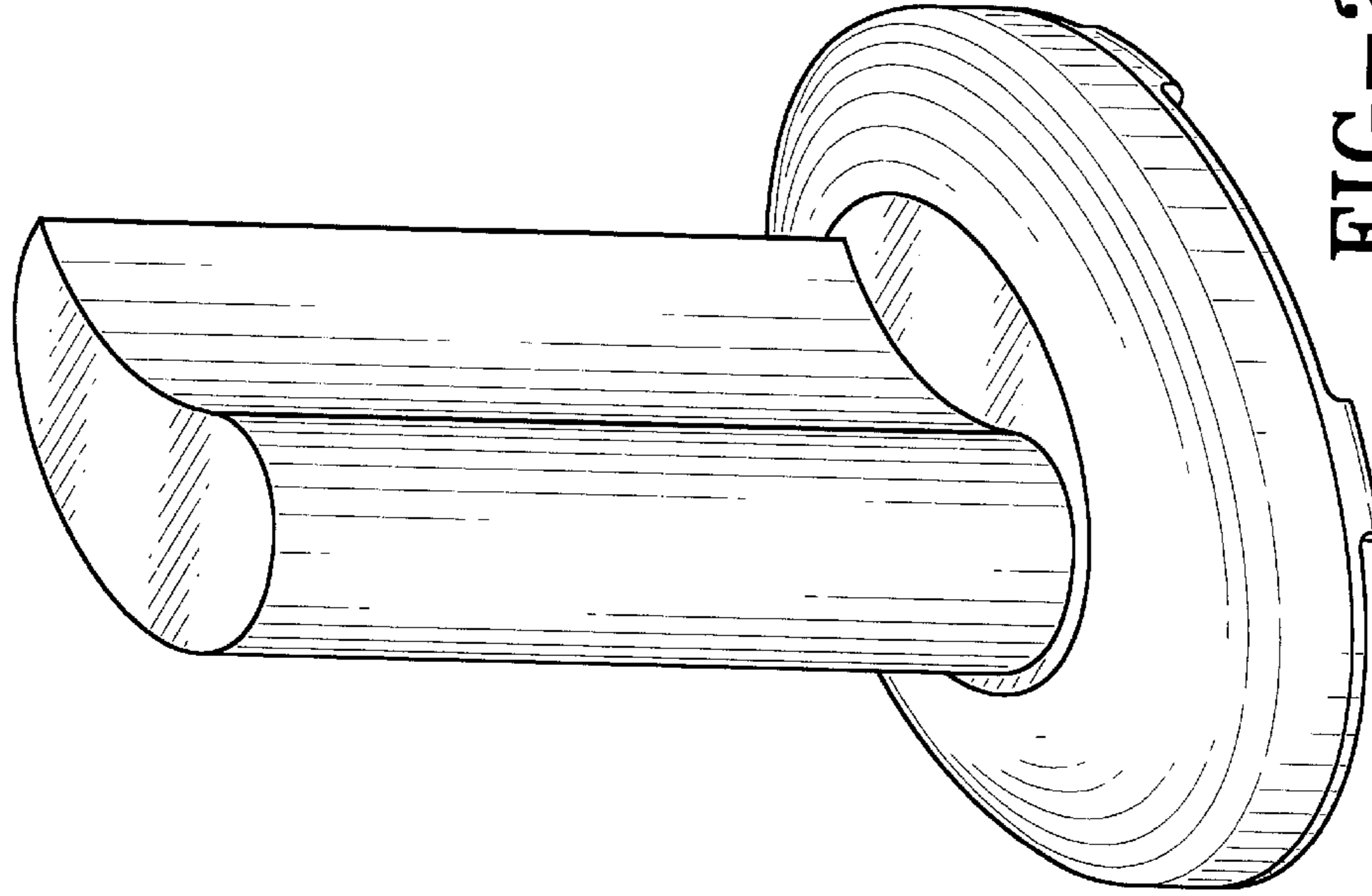


FIG-2

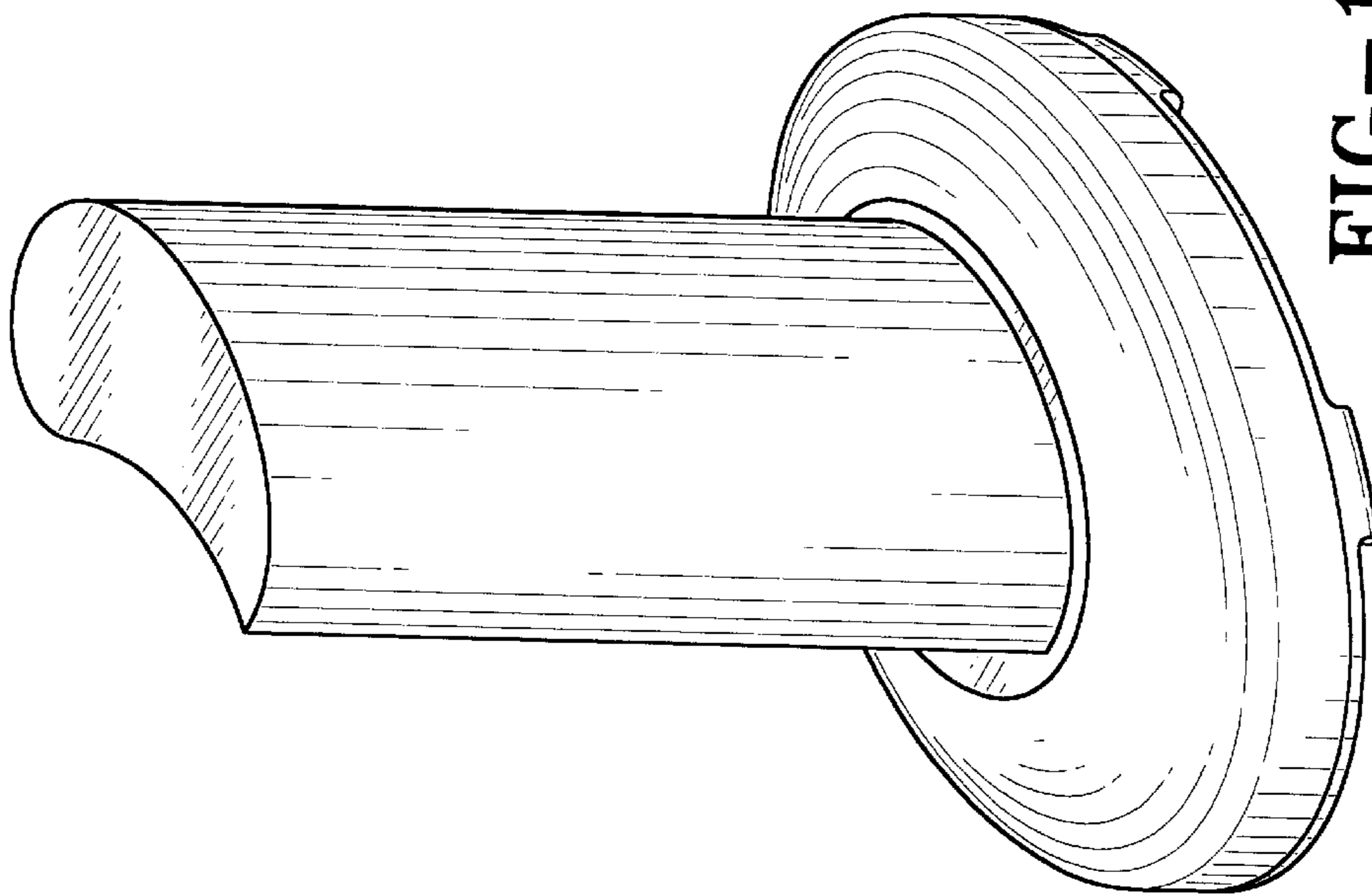


FIG-1

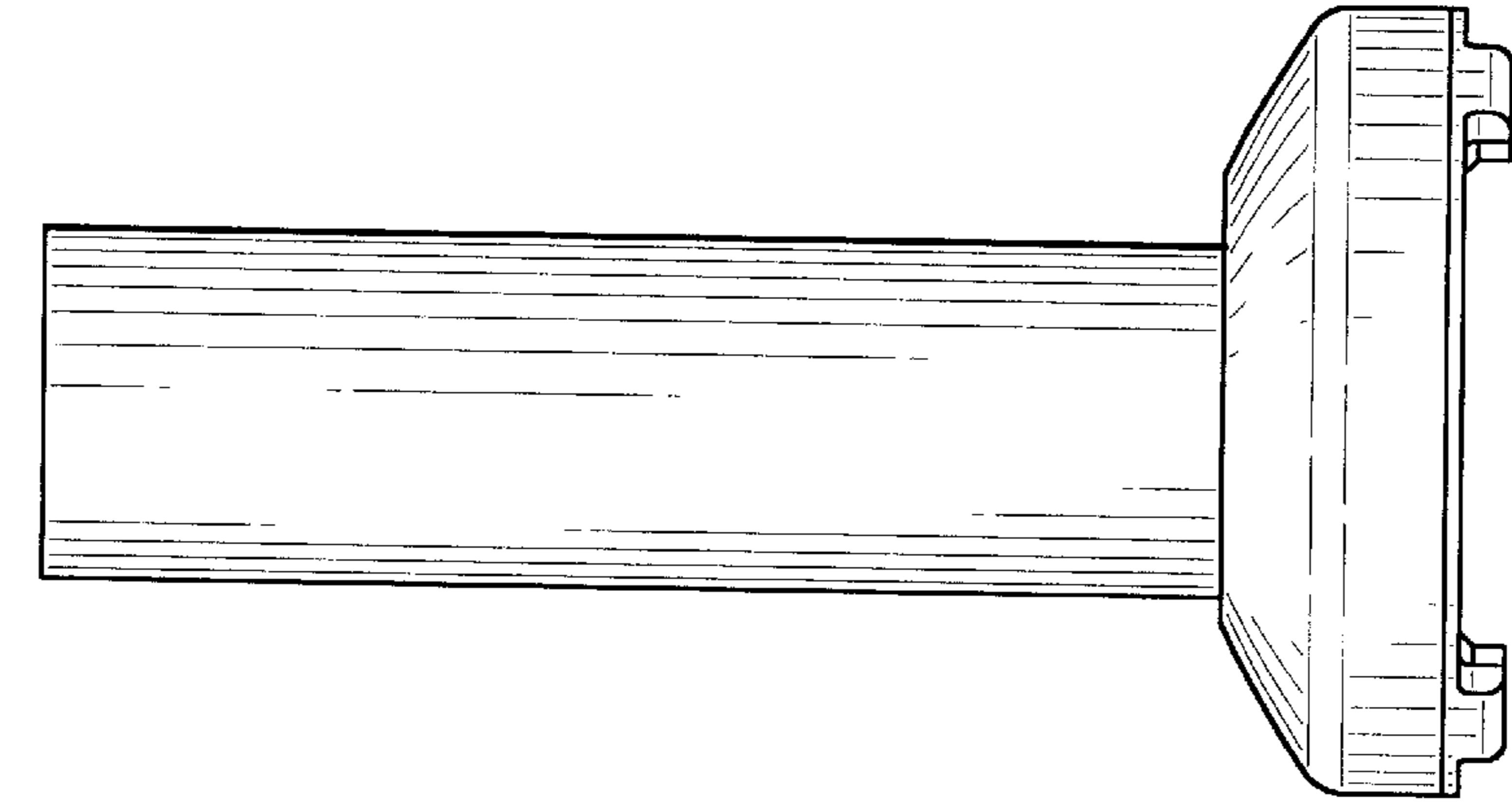


FIG-5

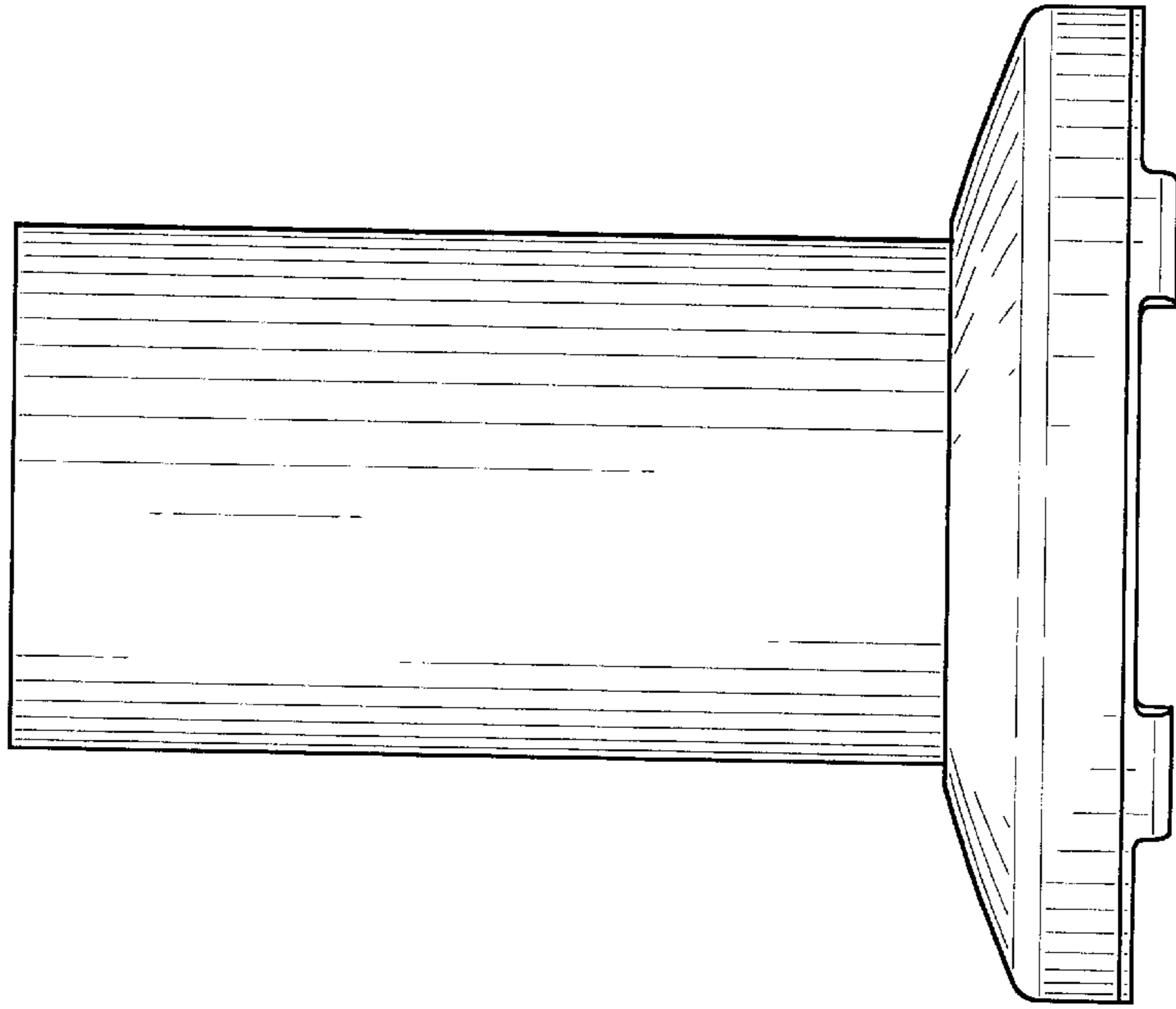


FIG-4

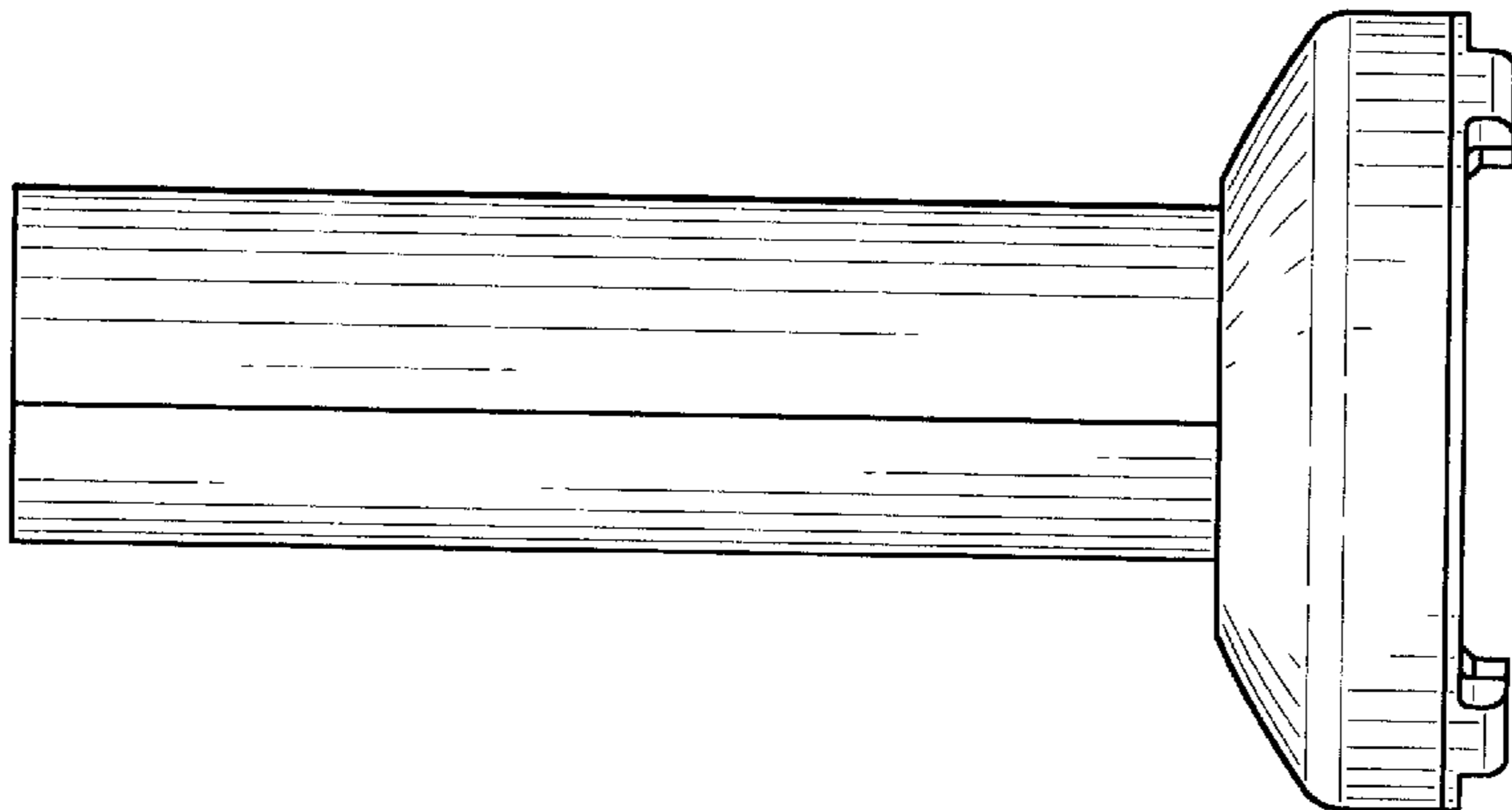


FIG-3

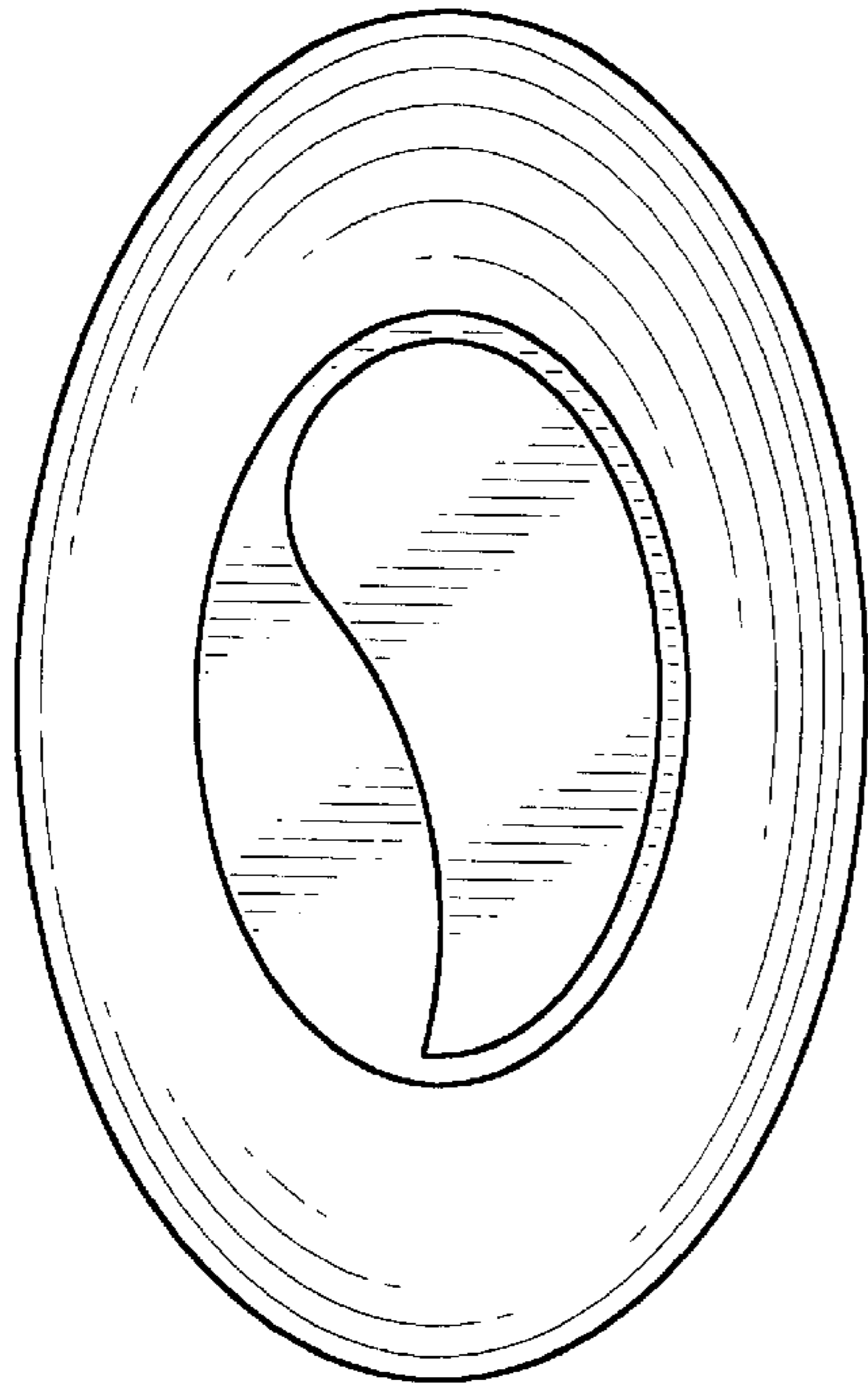


FIG-7

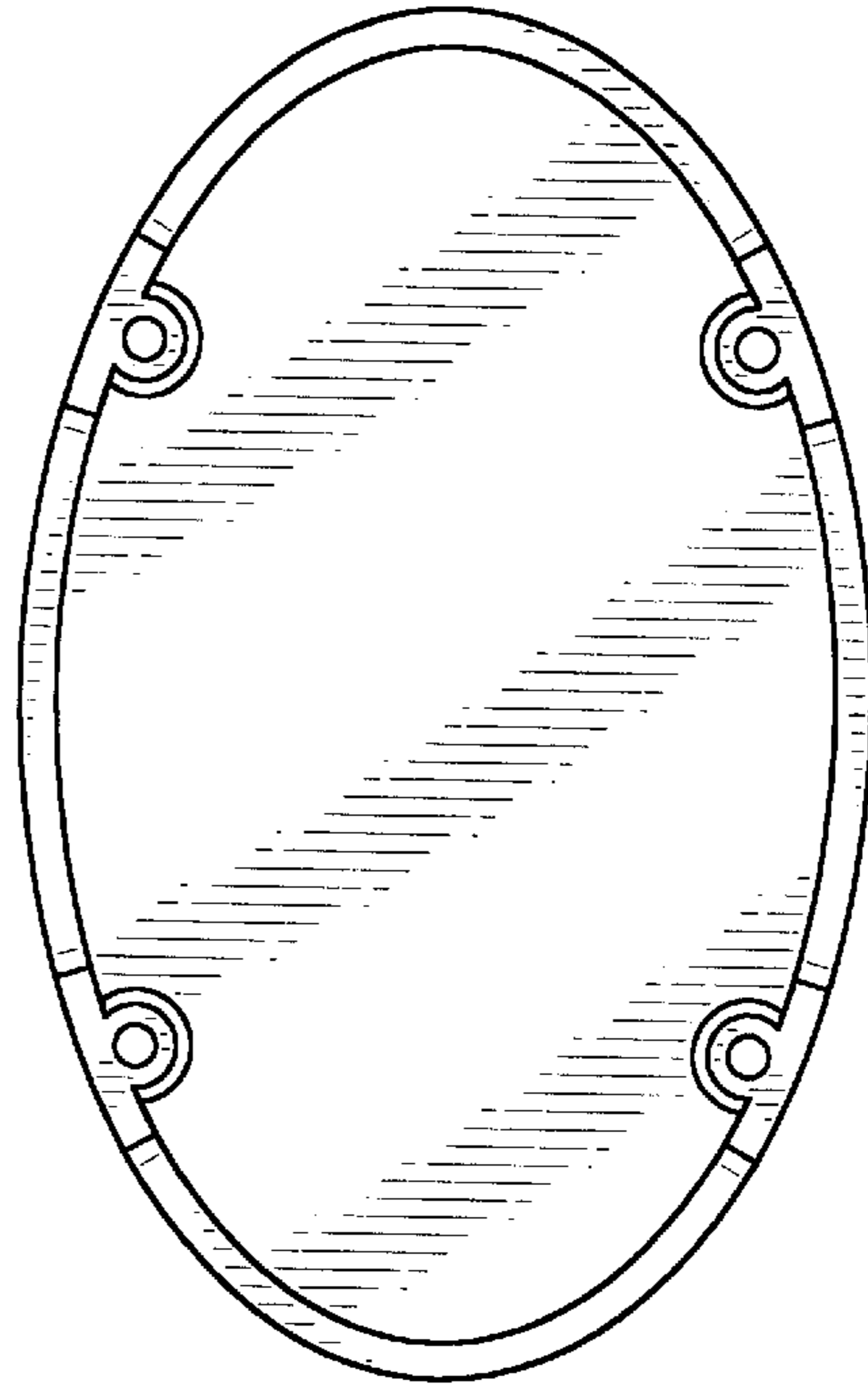


FIG-8

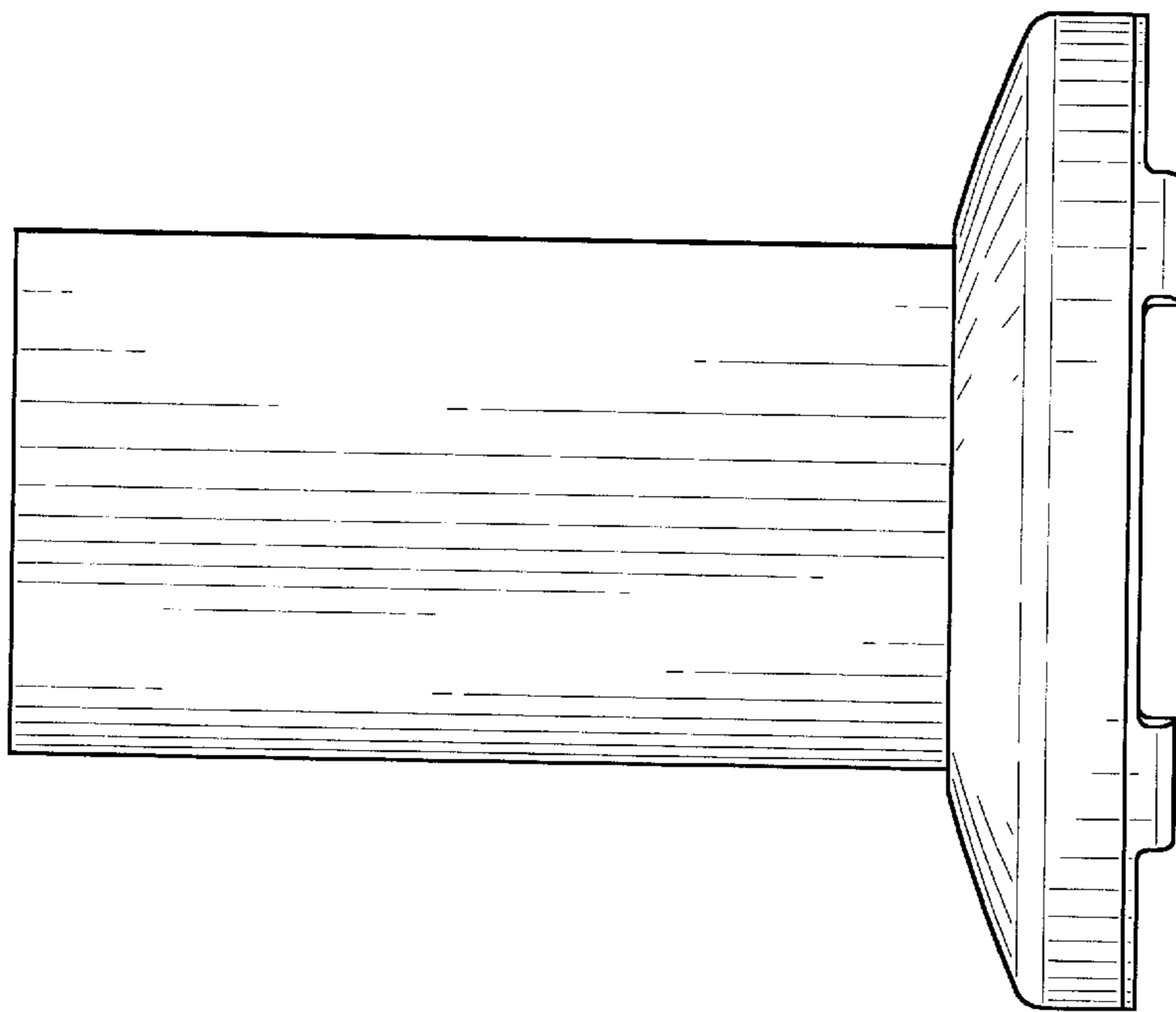


FIG-6

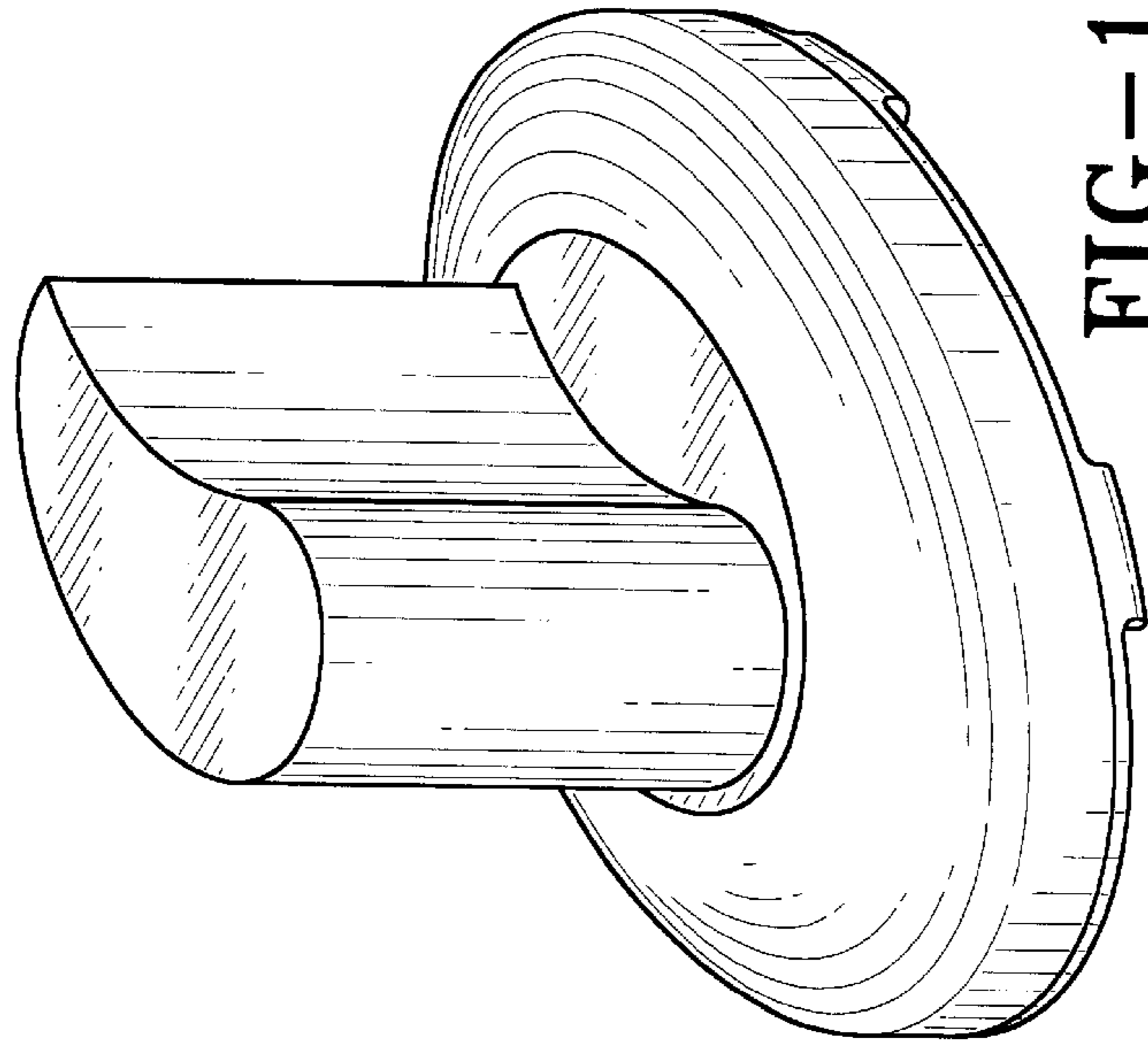


FIG-10

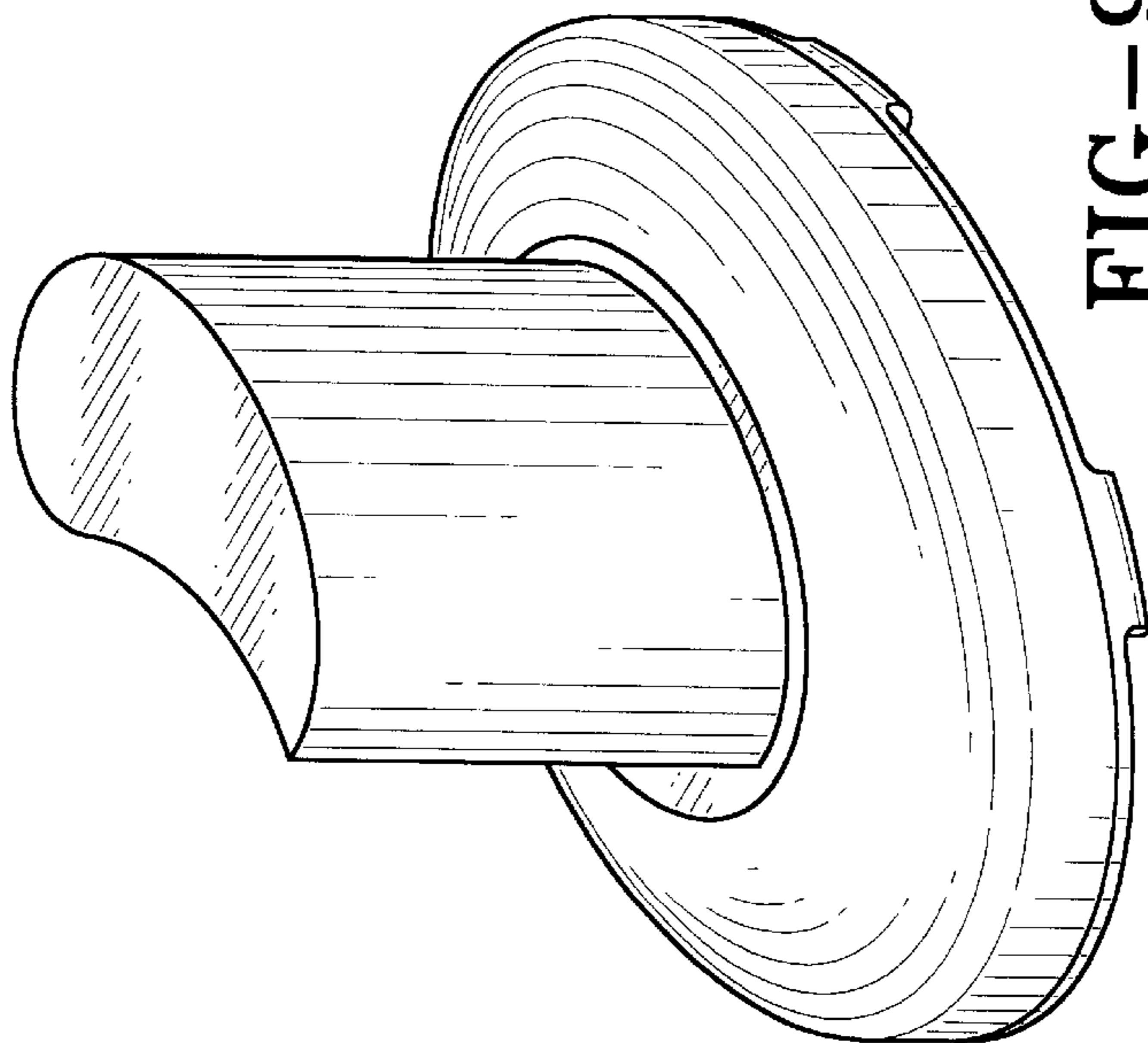


FIG-9

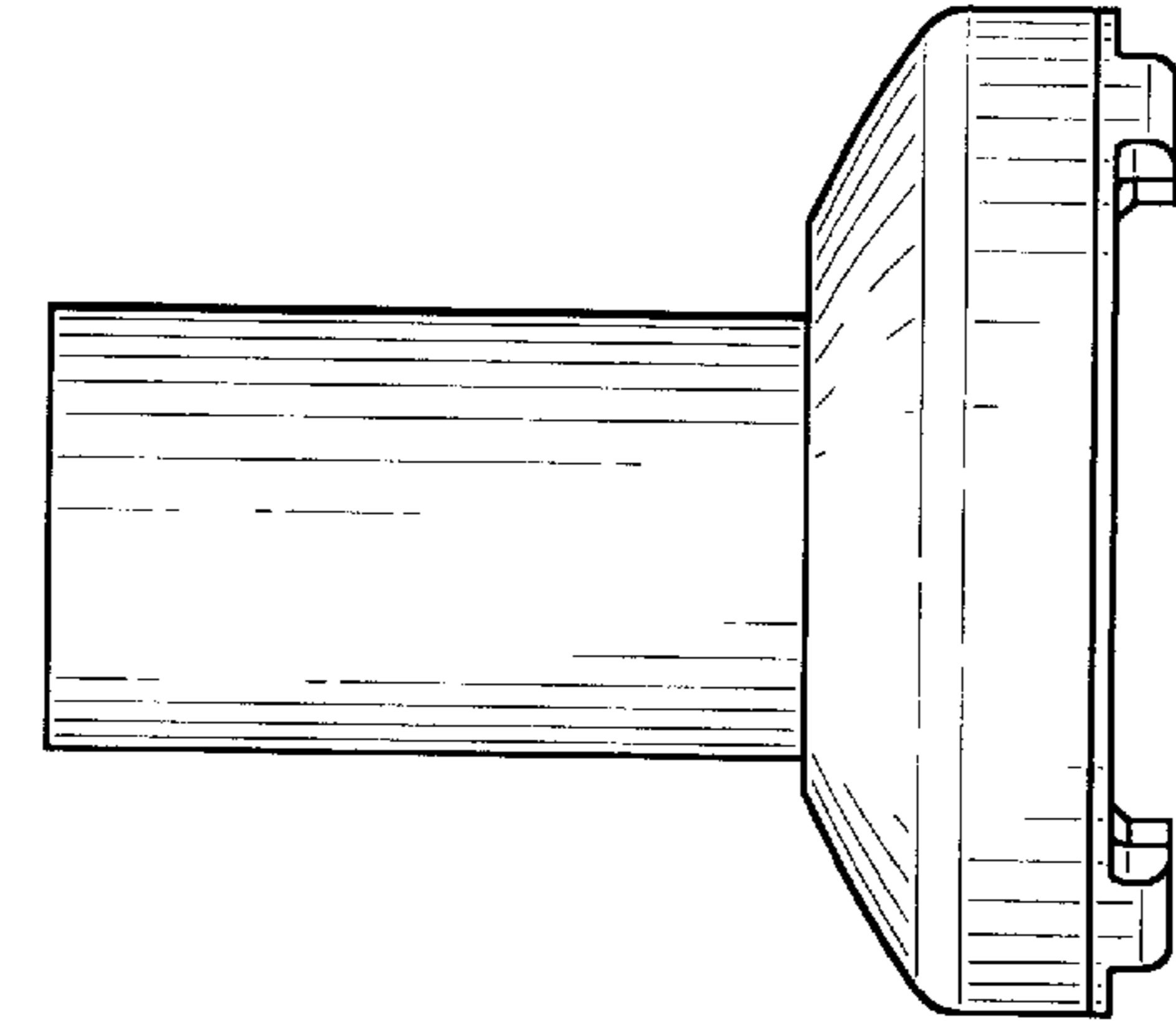


FIG-13

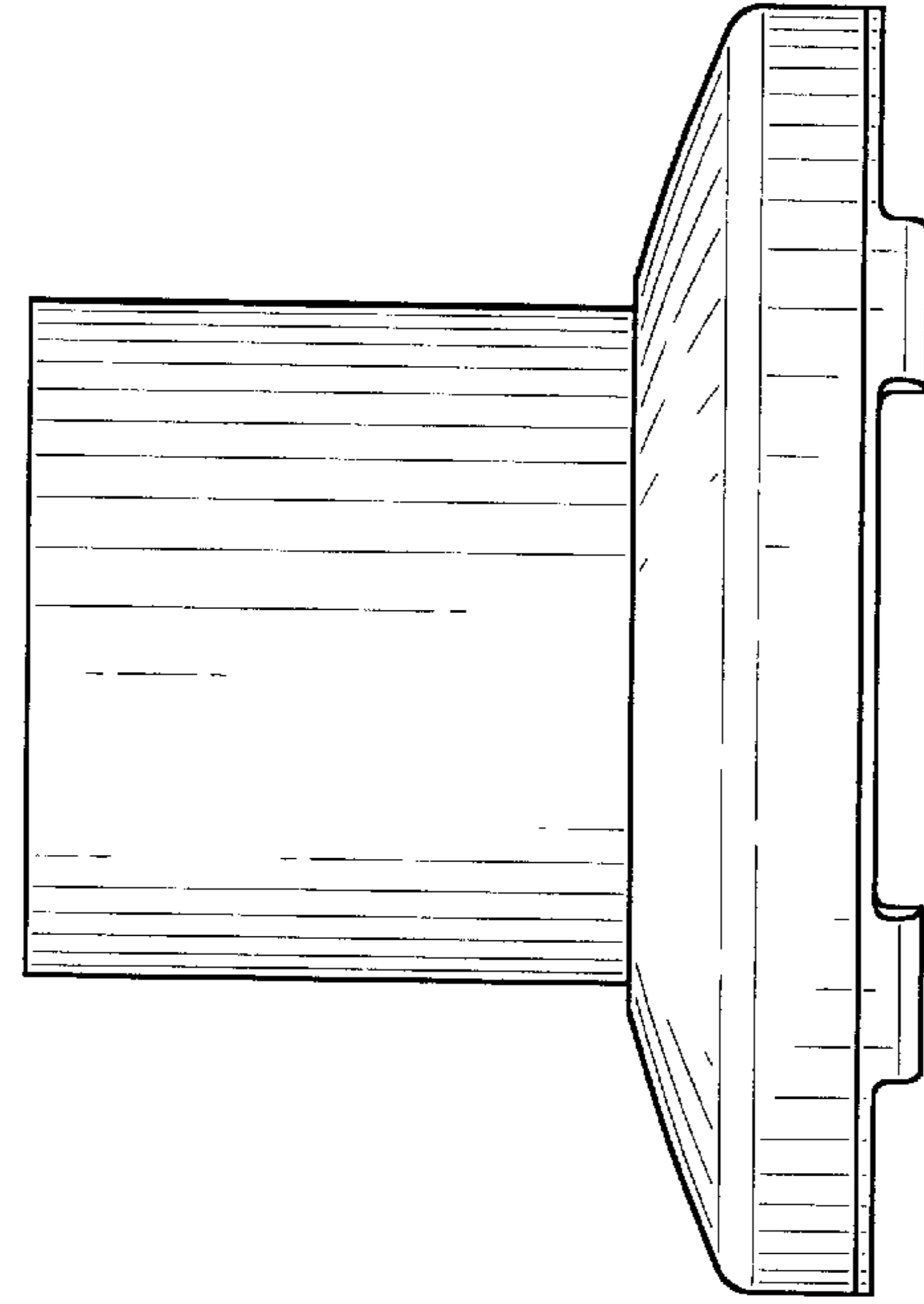


FIG-12

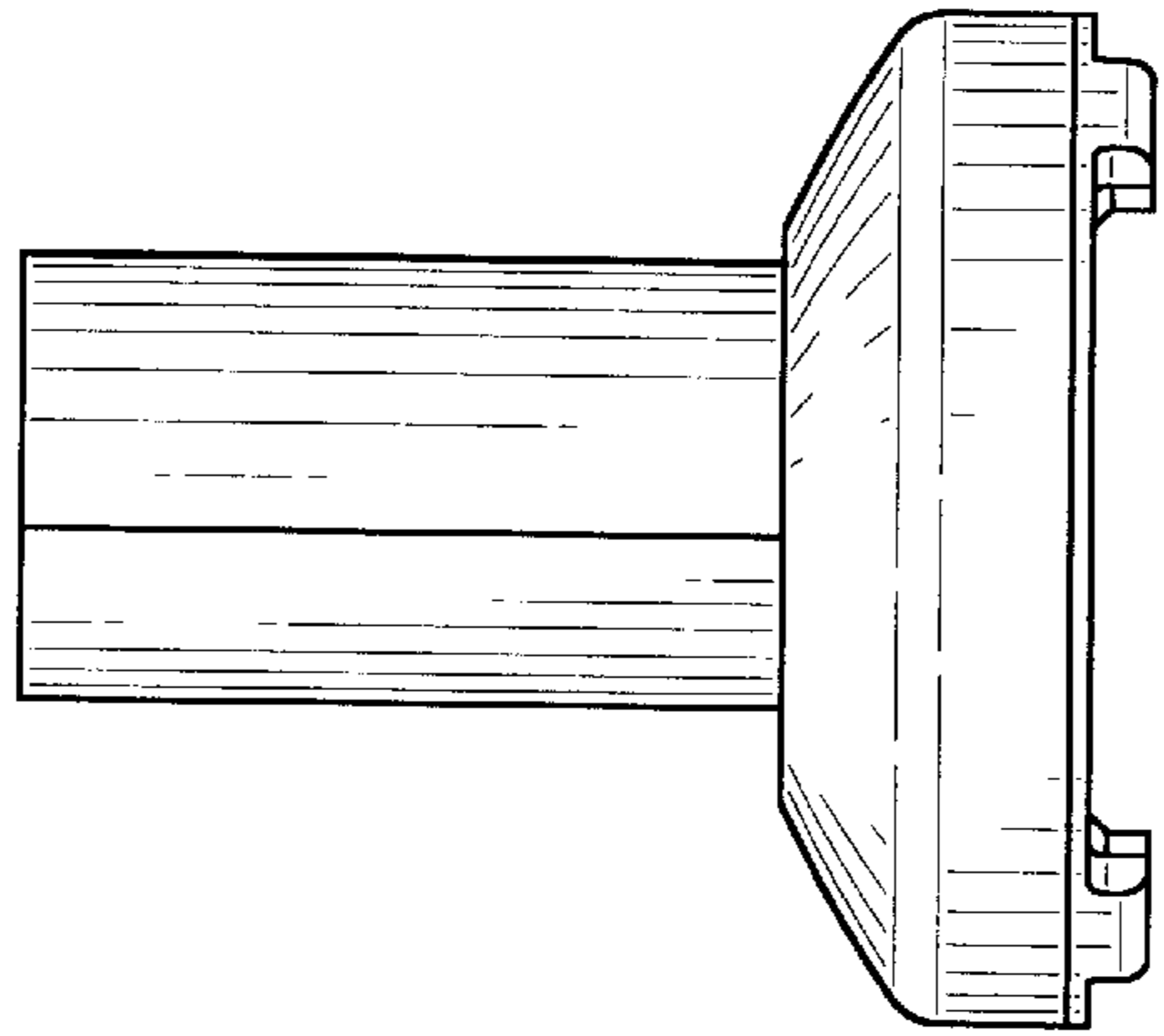


FIG-11

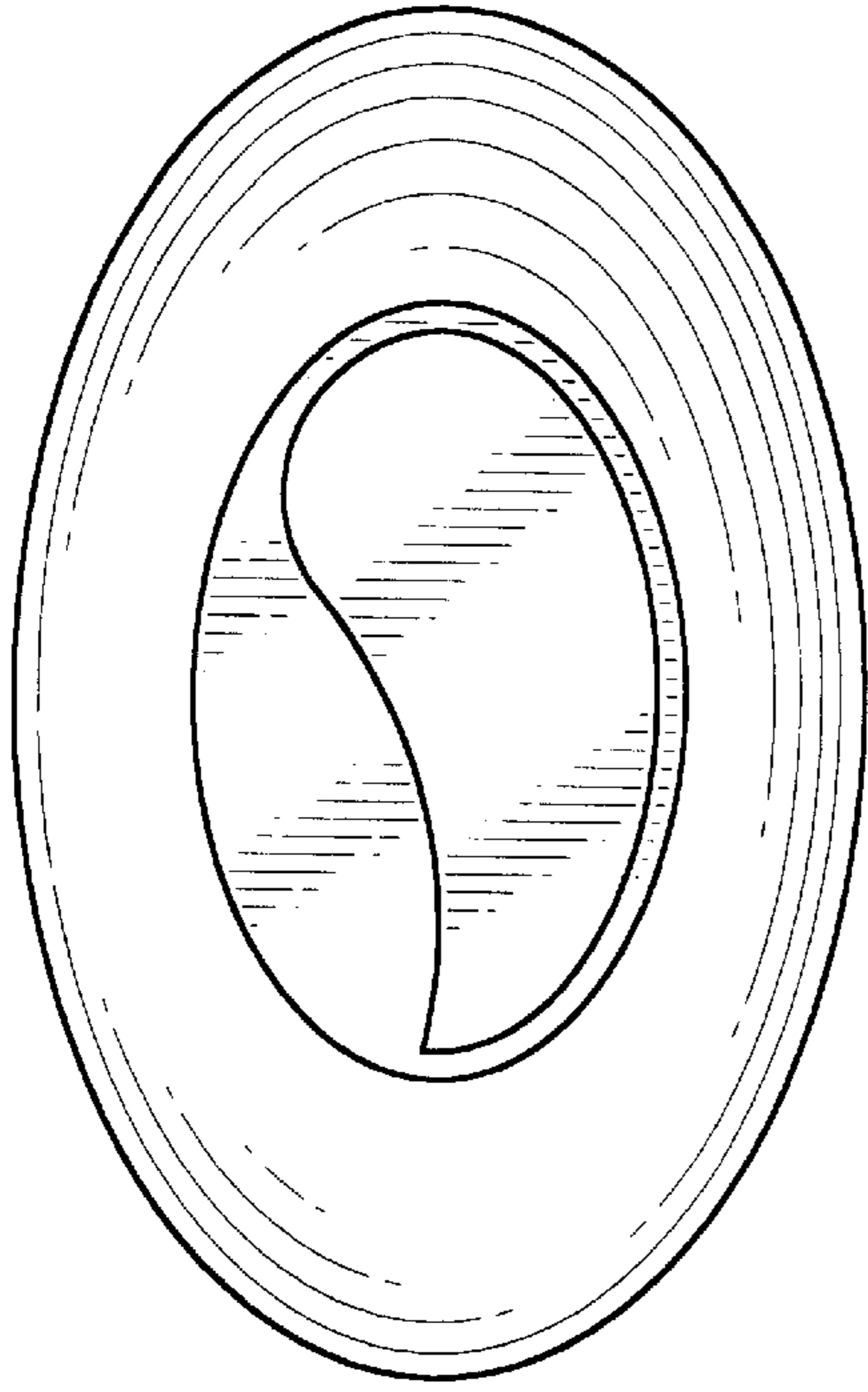


FIG-15

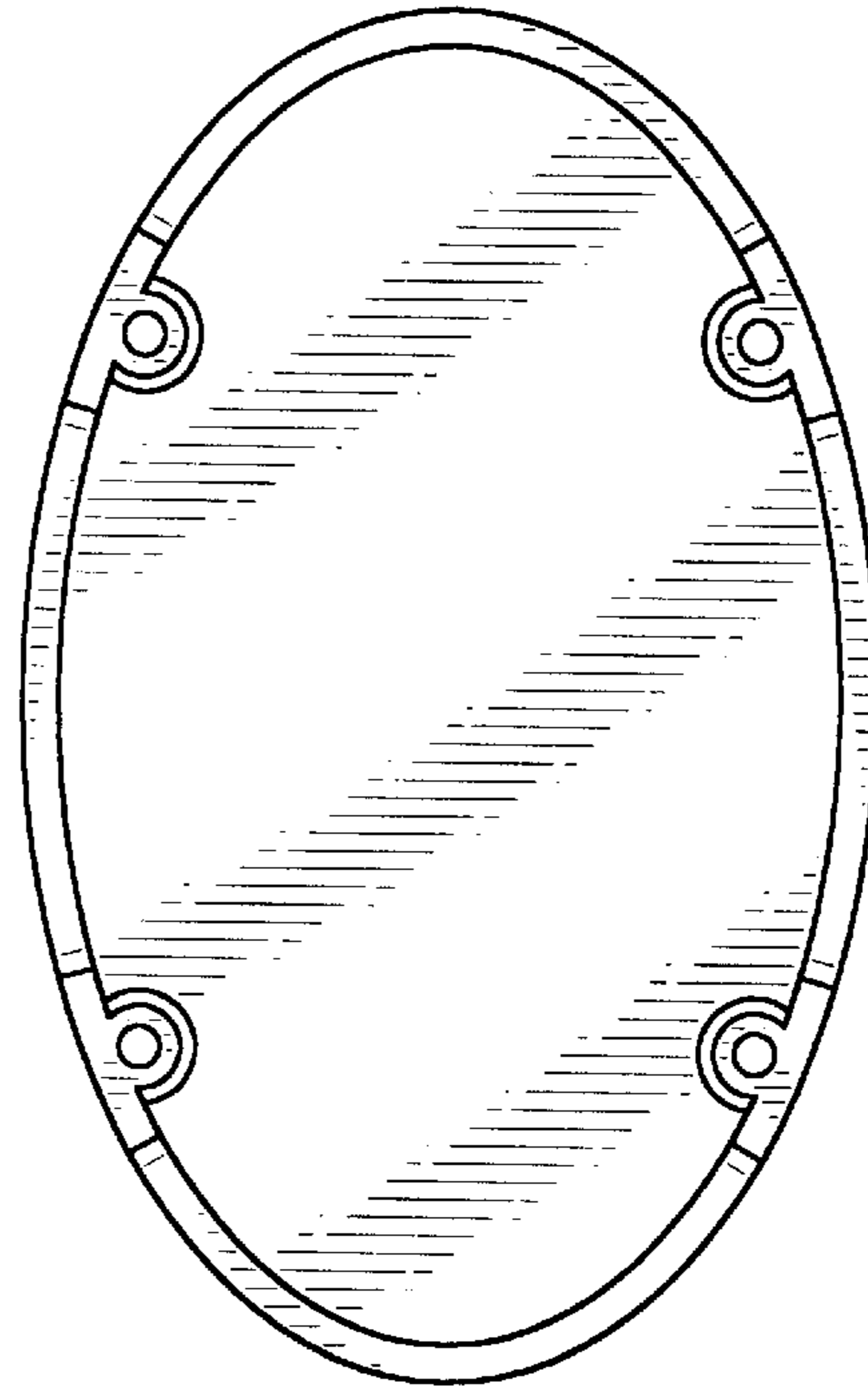


FIG-16

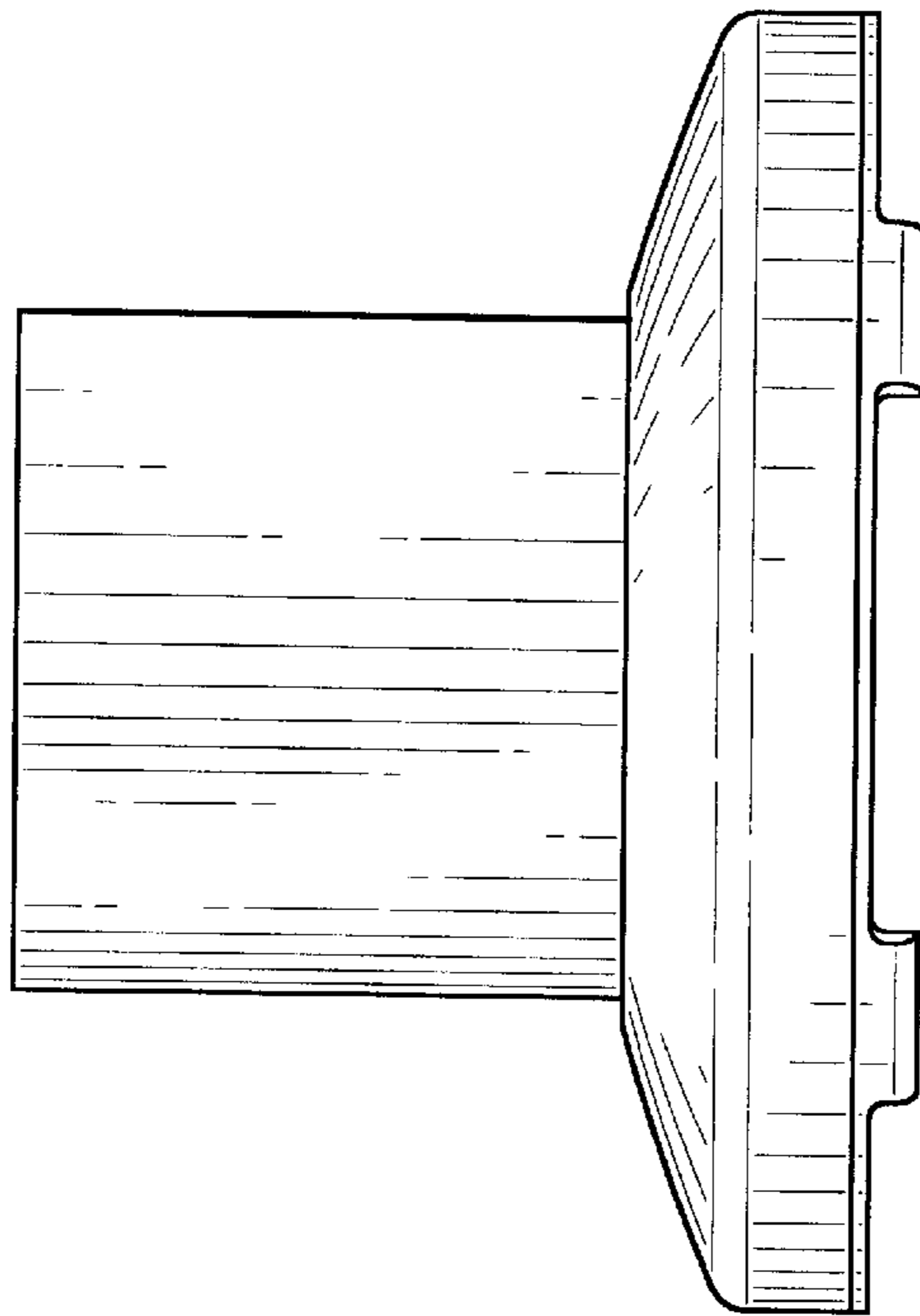


FIG-14