

US00D541083S

(12) **United States Design Patent**
Quintal

(10) **Patent No.:** **US D541,083 S**

(45) **Date of Patent:** **** Apr. 24, 2007**

(54) **SHELVING UNIT**

(75) Inventor: **Alain Quintal**, 4745 Road 125,
Rawdon, Quebec (CA), J0K 1S0

(73) Assignee: **Alain Quintal**, St. Léonard, Québec
(CA)

(**) Term: **14 Years**

(21) Appl. No.: **29/247,291**

(22) Filed: **Jul. 14, 2006**

(30) **Foreign Application Priority Data**

Feb. 21, 2006 (CA) 114588

(51) **LOC (8) Cl.** **06-04**

(52) **U.S. Cl.** **D6/479**

(58) **Field of Classification Search** D6/407,
D6/627-630, 473, 474, 477-479; 108/59,
108/101, 156; 211/85.2, 126.1, 133.1, 134,
211/144, 163, 194

See application file for complete search history.

(56) **References Cited**

U.S. PATENT DOCUMENTS

D46,656 S * 11/1914 Bamberger D6/468

D233,294 S	*	10/1974	Goulder	D6/474
4,093,077 A	*	6/1978	Strasser	211/194
D250,791 S	*	1/1979	Mauri	D6/629
D259,529 S	*	6/1981	Kola	D6/479
4,322,007 A	*	3/1982	Feibelman	211/163
4,781,299 A	*	11/1988	Oyama	211/144
5,253,594 A	*	10/1993	Sideris	108/94
D433,253 S	*	11/2000	Gingrich et al.	D6/479
D470,002 S	*	2/2003	Worrall	D6/630

* cited by examiner

Primary Examiner—Cathron C. Brooks

(74) *Attorney, Agent, or Firm*—Brouillette & Partners;
Robert Brouillette

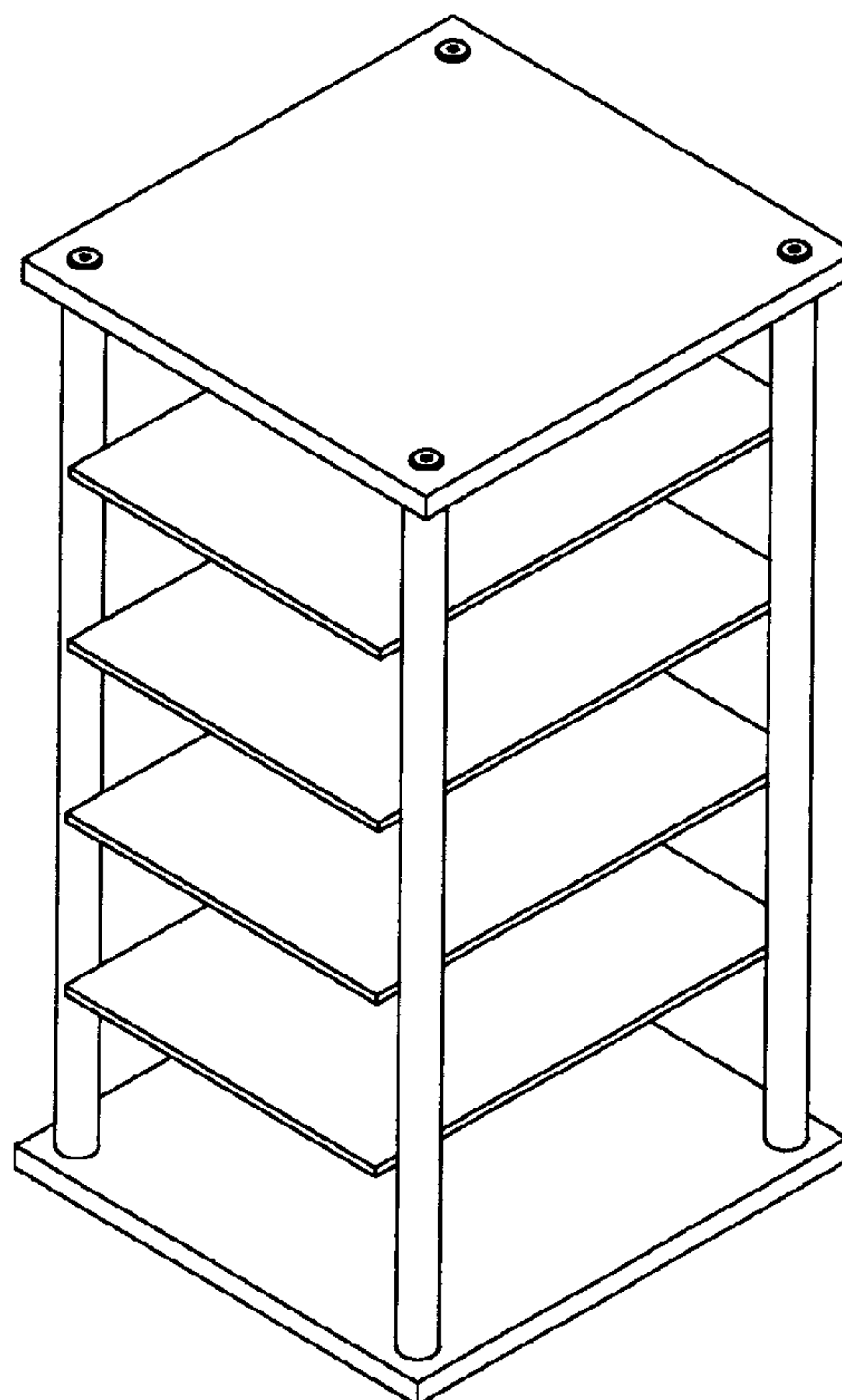
(57) **CLAIM**

The ornamental design for a shelving unit, as shown.

DESCRIPTION

FIG. 1 is a front view of the shelving unit;
FIG. 2 is a side view of the shelving unit;
FIG. 3 is a top view of the shelving unit;
FIG. 4 is a bottom view of the shelving unit;
FIG. 5 is a top perspective view of shelving unit; and,
FIG. 6 is a bottom perspective view of the shelving unit.

1 Claim, 6 Drawing Sheets



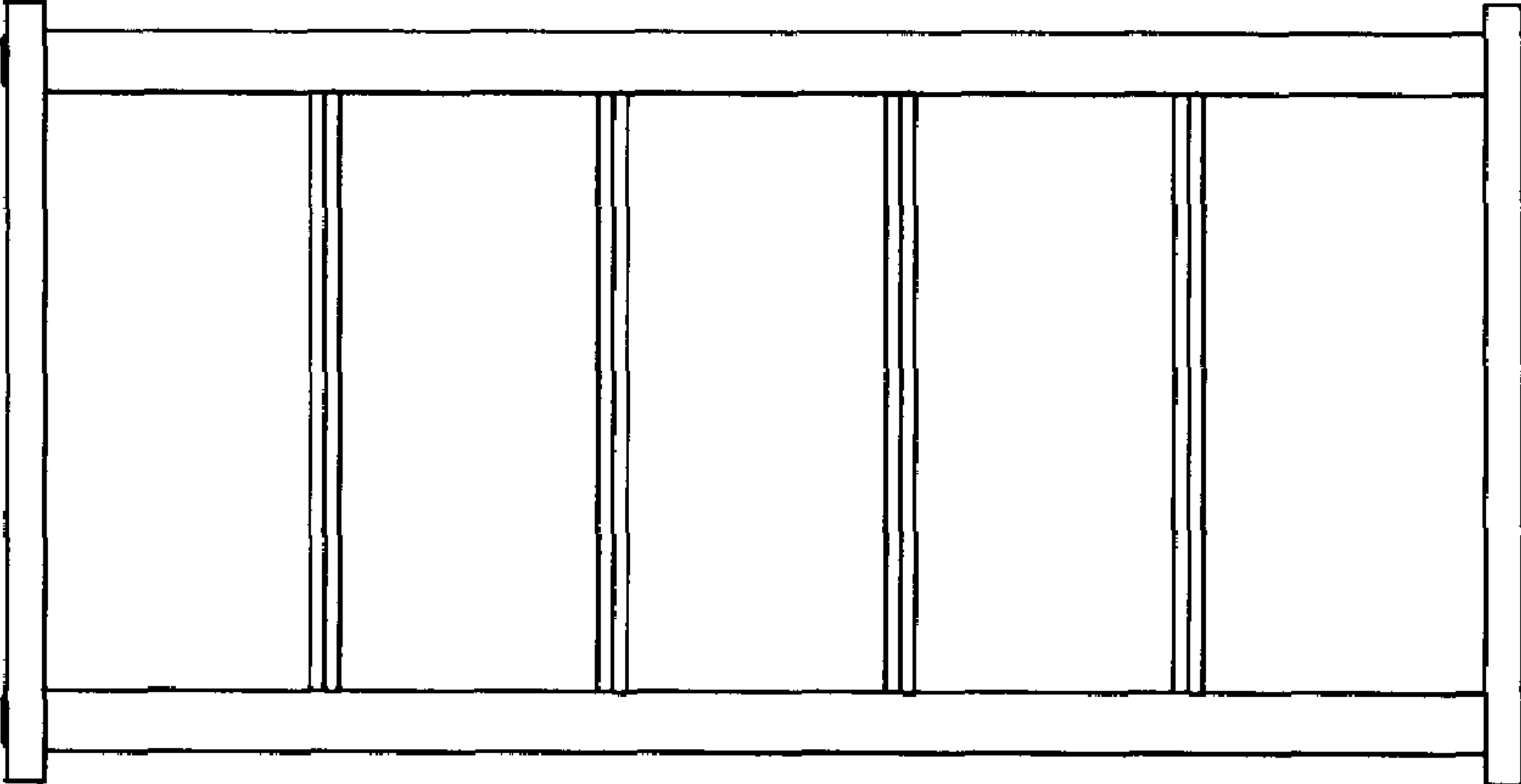


FIG. 1

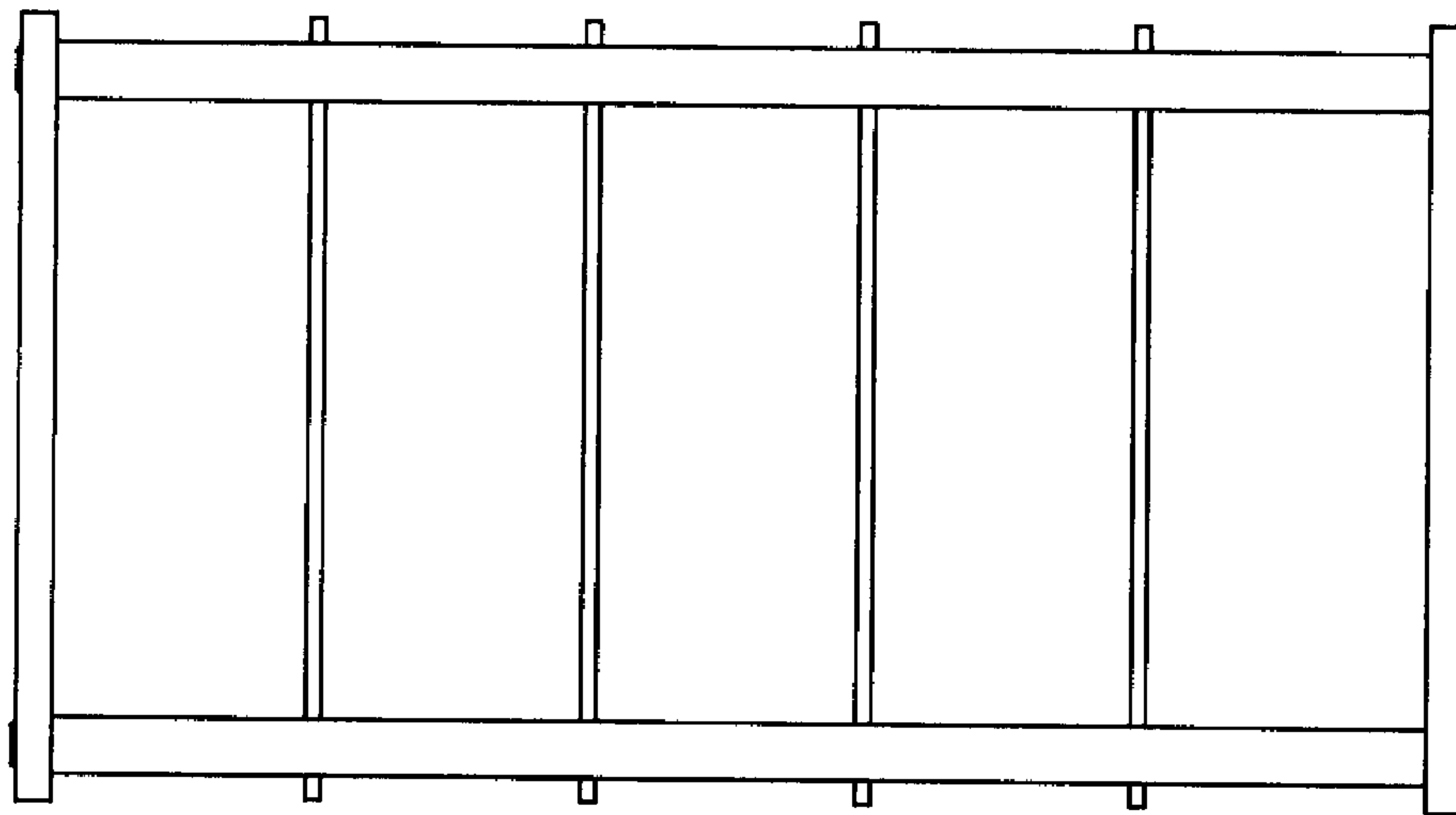


FIG. 2

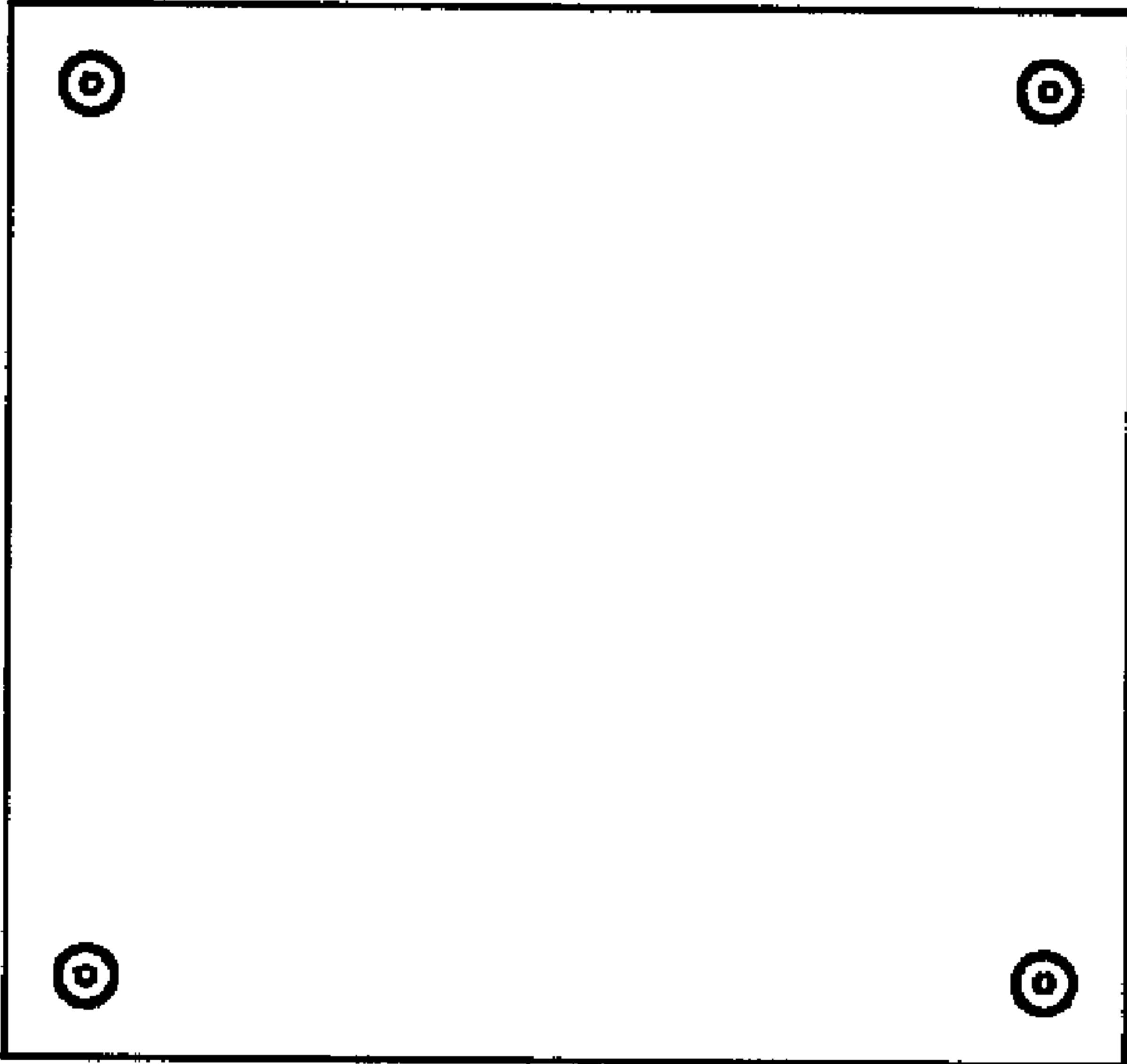


FIG. 3

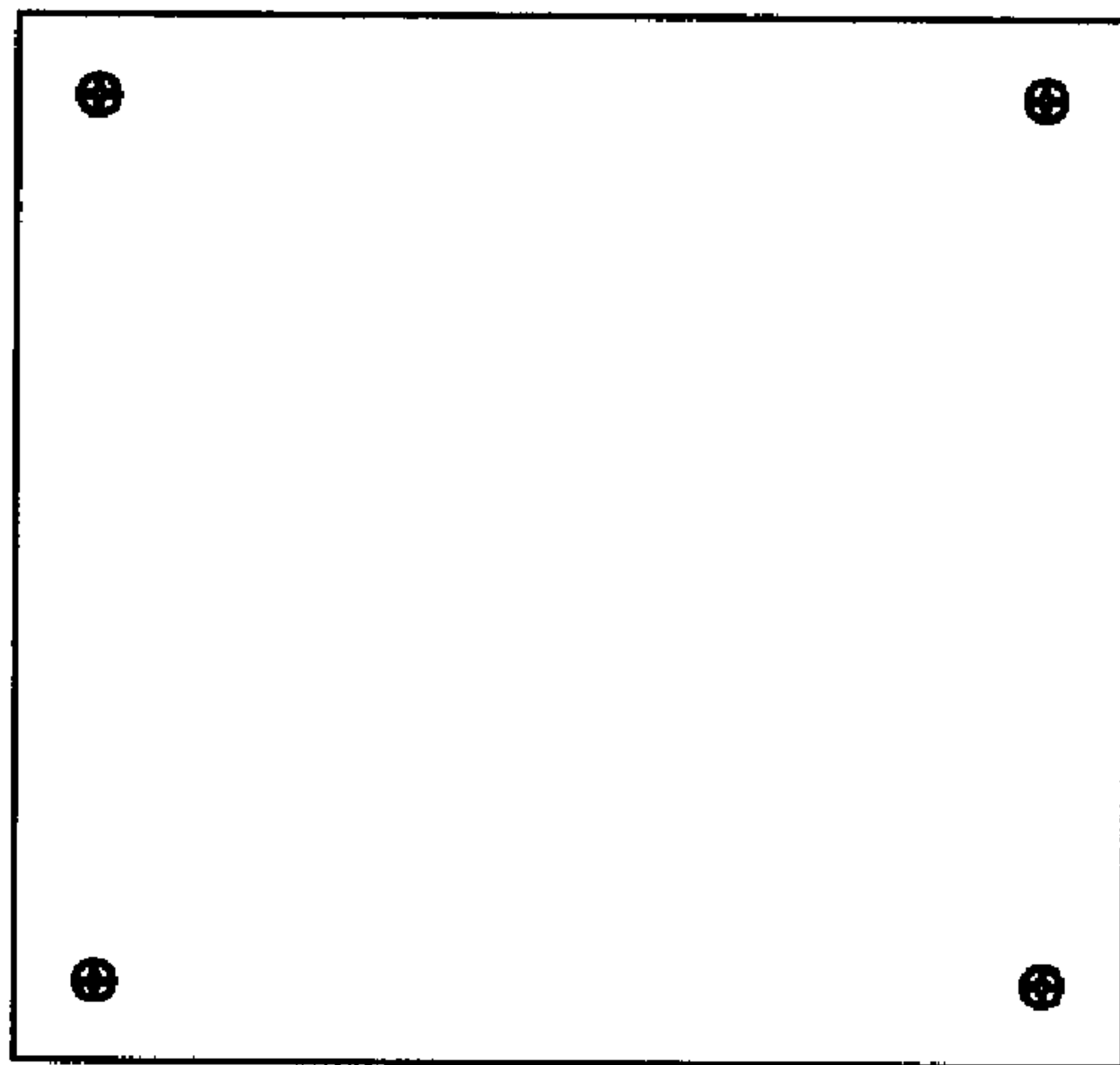


FIG. 4

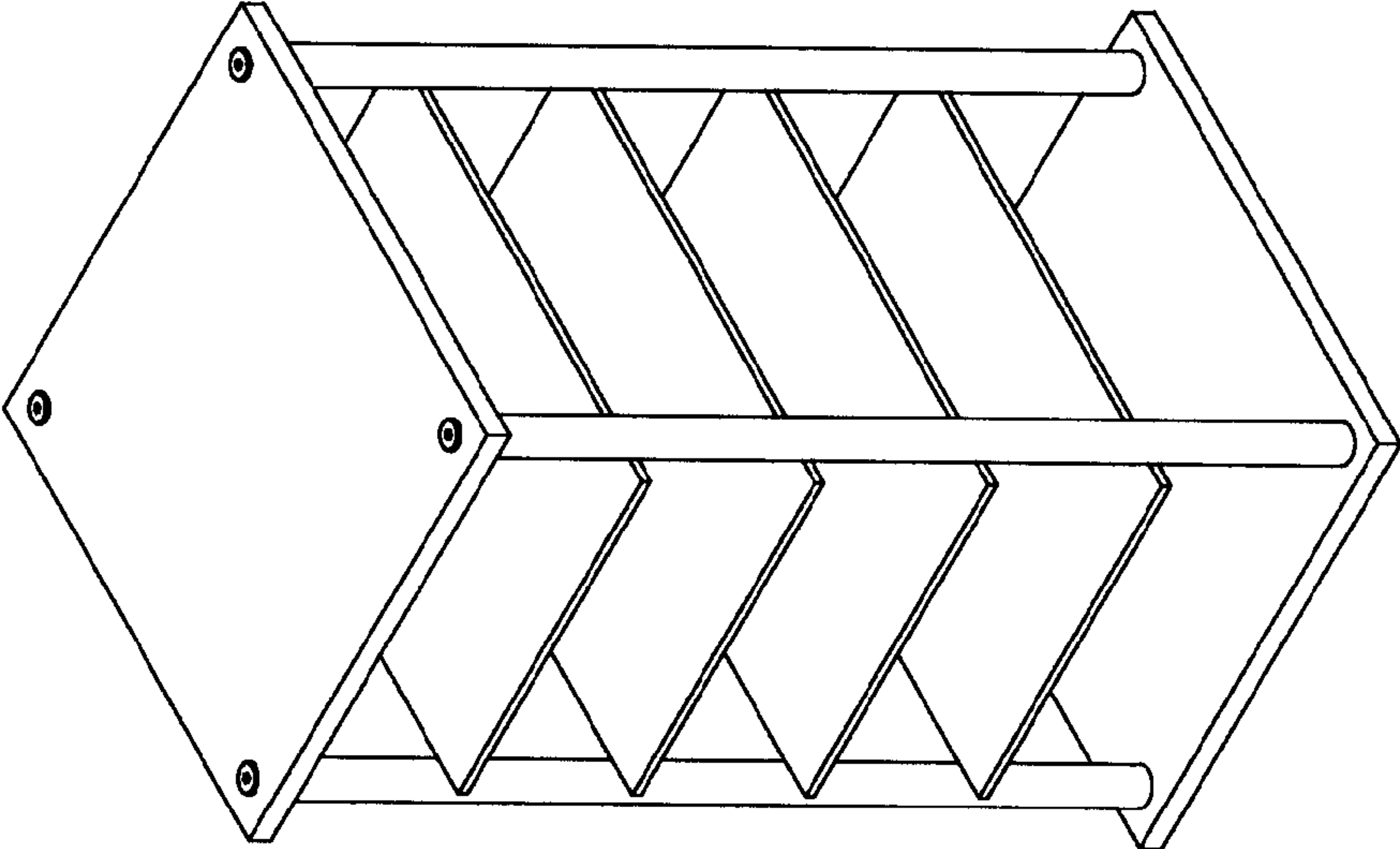


FIG. 5

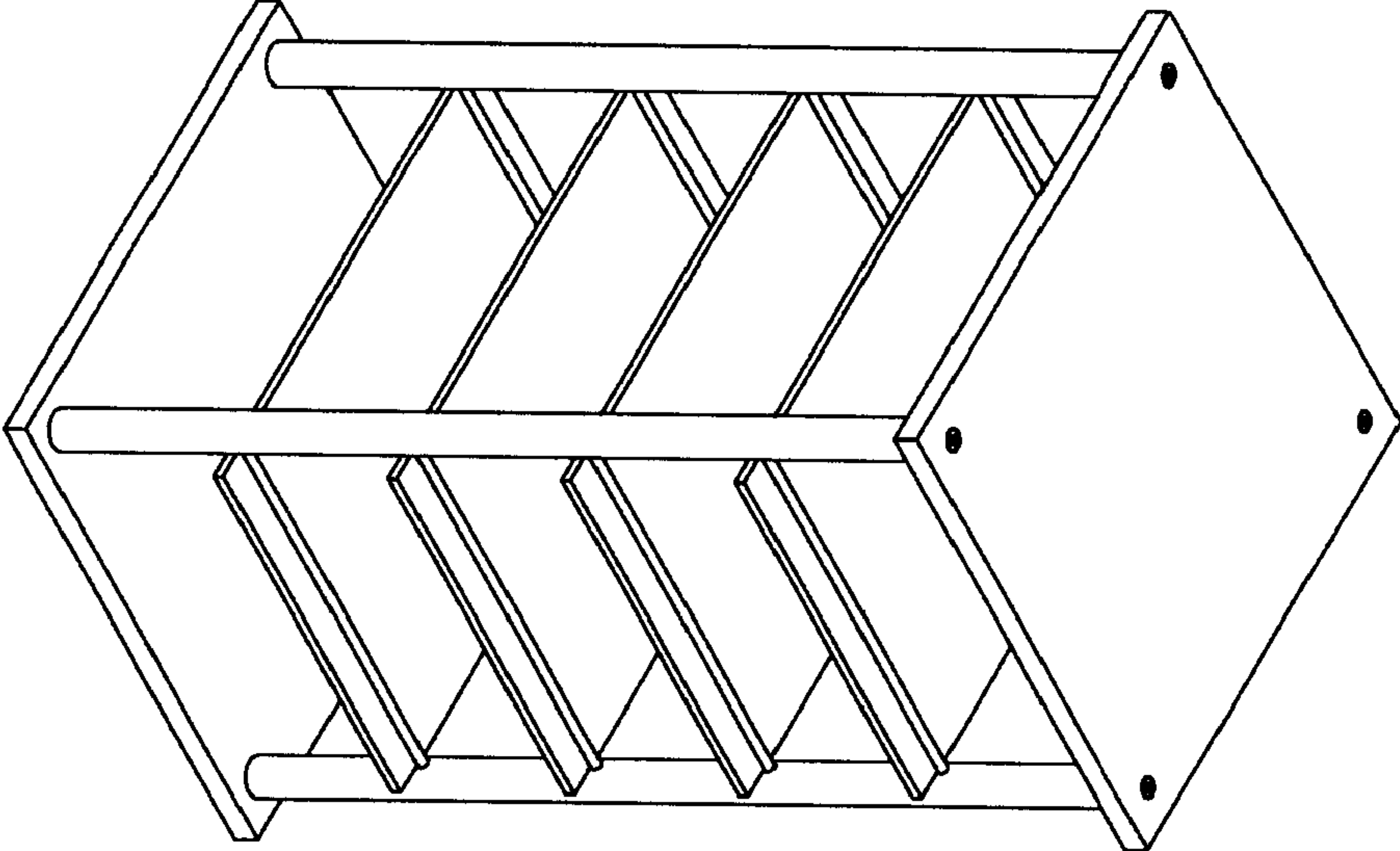


FIG. 6