

US00D541082S

(12) **United States Design Patent**
Nomoto

(10) **Patent No.:** **US D541,082 S**
(45) **Date of Patent:** **** Apr. 24, 2007**

- (54) **GOODS DISPLAY STAND**
- (75) Inventor: **Tatsuaki Nomoto**, Tokyo (JP)
- (73) Assignee: **Kawajun Co. Ltd.**, Tokyo (JP)
- (**) Term: **14 Years**

D296,630 S	7/1988	Renold et al.
D325,849 S	5/1992	Melcher
D399,366 S	10/1998	Stravitz
D404,220 S	1/1999	Stravitz
D407,994 S	4/1999	Adinolfi et al.
6,082,553 A	7/2000	Stravitz
D524,576 S	7/2006	Nomoto
2005/0133474 A1	6/2005	Nomoto

- (21) Appl. No.: **29/261,671**
- (22) Filed: **Jun. 19, 2006**

Related U.S. Application Data

- (62) Division of application No. 29/205,877, filed on May 24, 2004.

(30) **Foreign Application Priority Data**

Nov. 27, 2003	(JP)	035258/2003
Nov. 27, 2003	(JP)	035259/2003

- (51) **LOC (8) Cl.** **06-04**
- (52) **U.S. Cl.** **D6/474**
- (58) **Field of Classification Search** D6/407,
D6/629, 630, 460, 461, 468, 474, 477-479;
108/59, 91, 92, 96, 161; 211/40, 41.12, 42,
211/49.1, 50, 71.01, 87.01, 90.04, 119.003,
211/134, 153, 190; 312/9.1, 9.2, 9.64, 9.8,
312/7.2; 206/307, 308.1

See application file for complete search history.

(56) **References Cited**

U.S. PATENT DOCUMENTS

D207,564 S	5/1967	Hartford
3,948,191 A	4/1976	Hatherley
D242,890 S	1/1977	Hillman et al.
D256,199 S	8/1980	Burke et al.
D278,671 S	5/1985	Sandy
D286,835 S	11/1986	Marsh

OTHER PUBLICATIONS

U.S. Appl. No. 29/254,776, filed Mar. 1, 2006, Nomoto.
U.S. Appl. No. 29/261,671, filed Jun. 19, 2006, Nomoto.

Primary Examiner—Cathron C. Brooks

(74) *Attorney, Agent, or Firm*—Oblon, Spivak, McClelland, Maier & Neustadt, P.C.

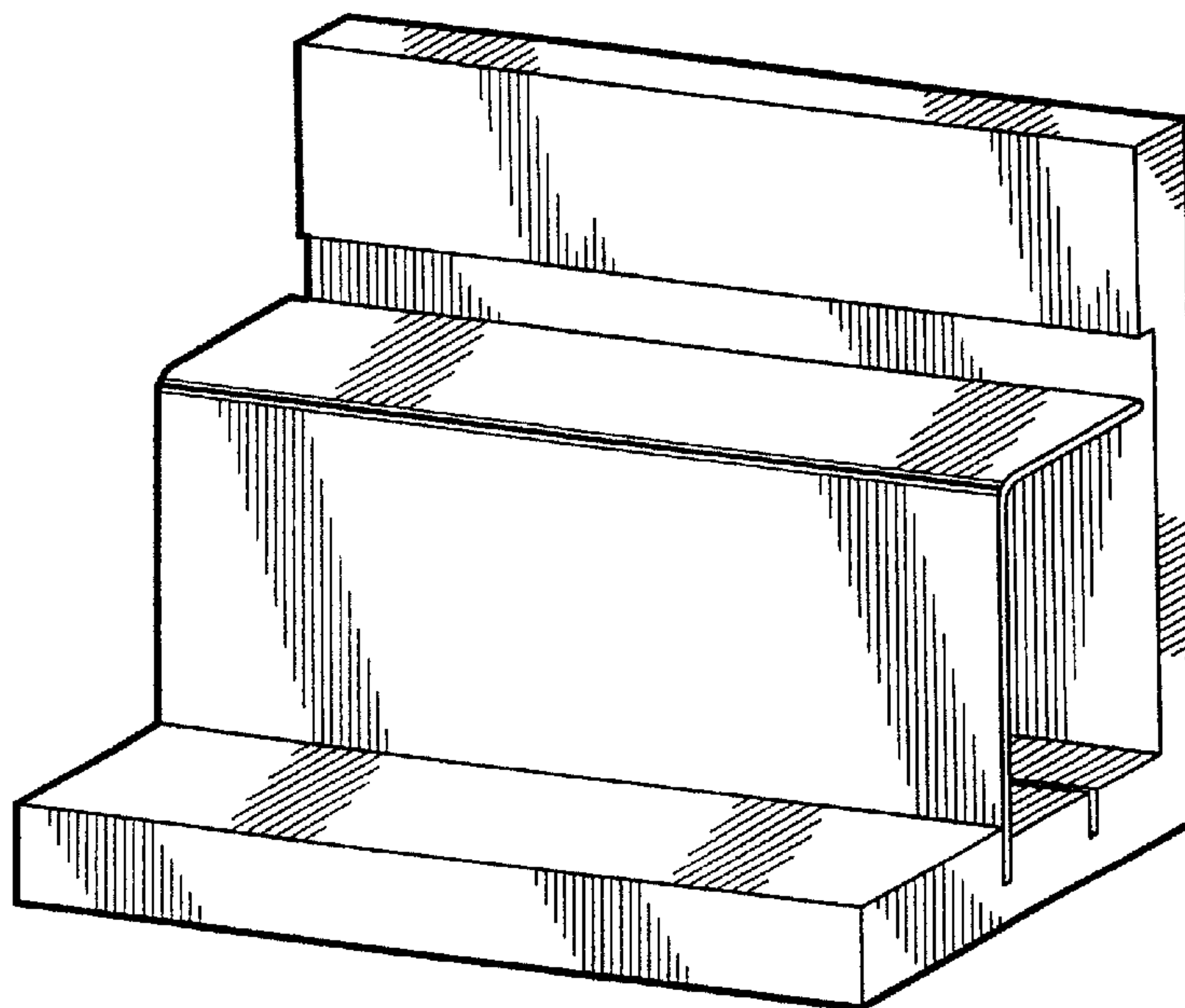
(57) **CLAIM**

The ornamental design for a goods display stand, as shown and described.

DESCRIPTION

FIG. 1 is a top and right front perspective view showing of the goods display stand showing my design;
 FIG. 2 is a front elevational view thereof;
 FIG. 3 is a rear elevational view thereof;
 FIG. 4 is a right side elevational view thereof, the left side elevational view being a mirror image of the side view shown;
 FIG. 5 is a top plan view thereof;
 FIG. 6 is a bottom plan view thereof;
 FIG. 7 is a top and right front perspective view thereof shown when in use; and,
 FIG. 8 is a top and right front perspective view thereof showing an alternate position of use.
 The broken lines shown in the figures are for illustrative purposes only and form no part of the claimed design.

1 Claim, 4 Drawing Sheets



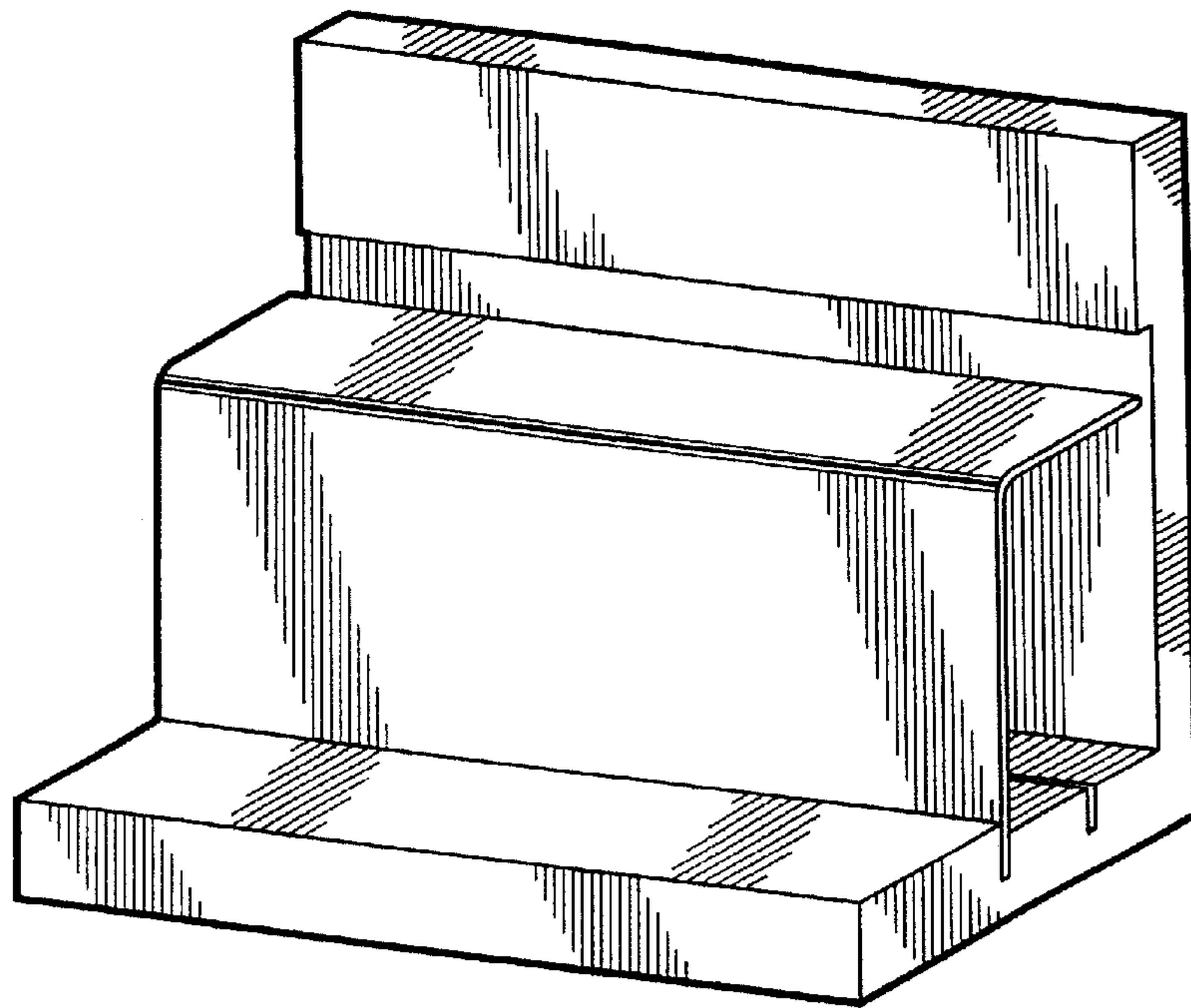


Fig. 1

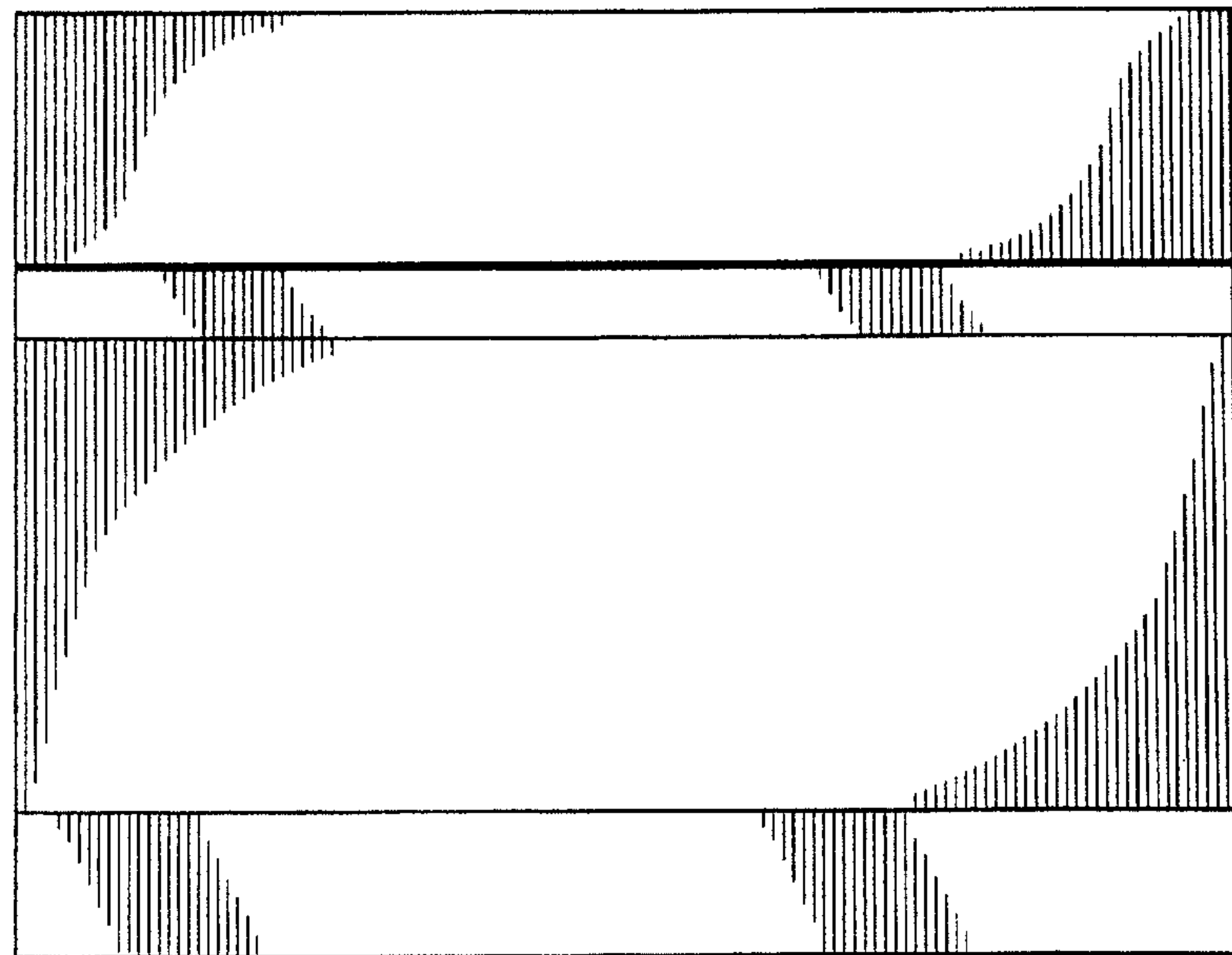


Fig. 2

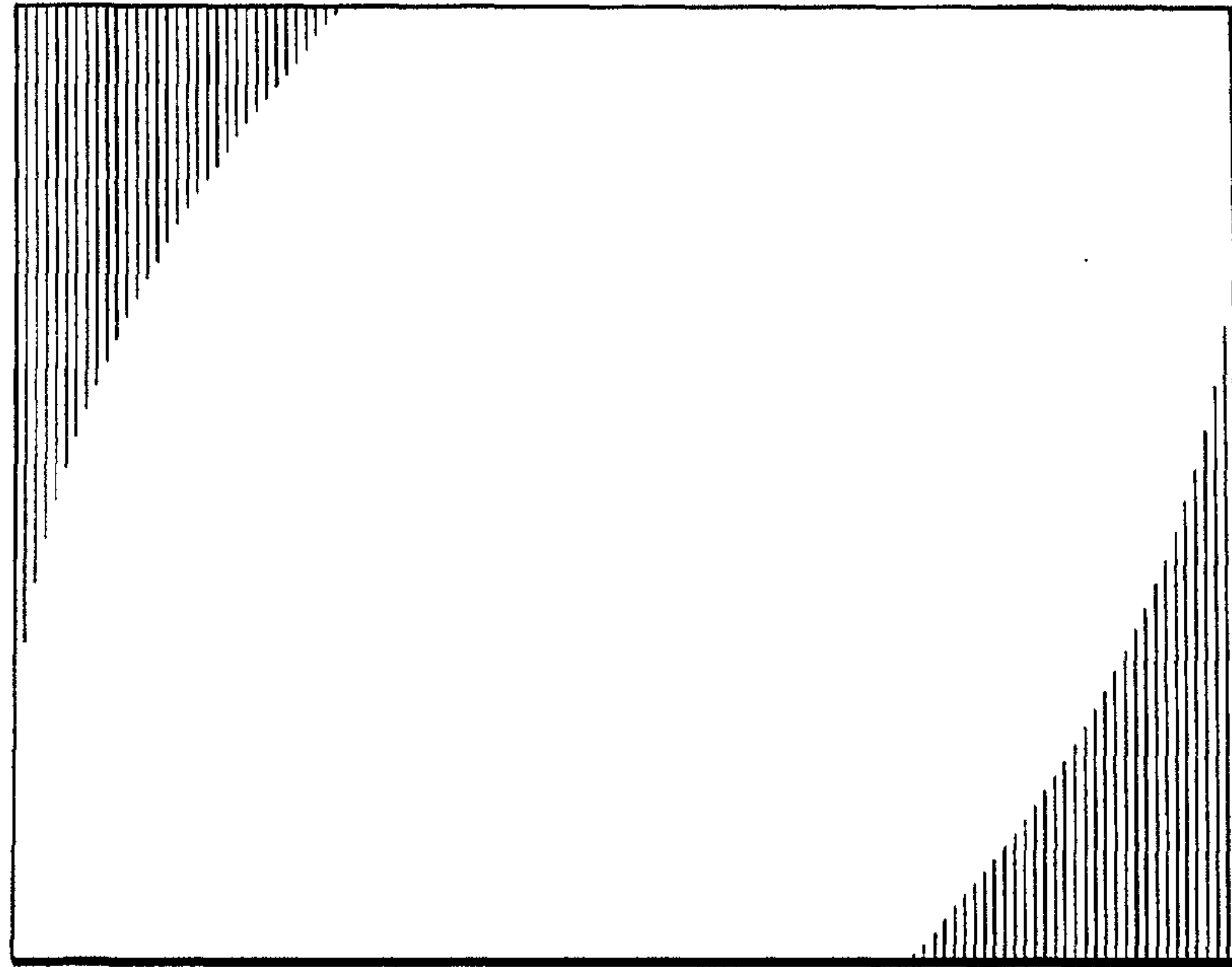


Fig. 3

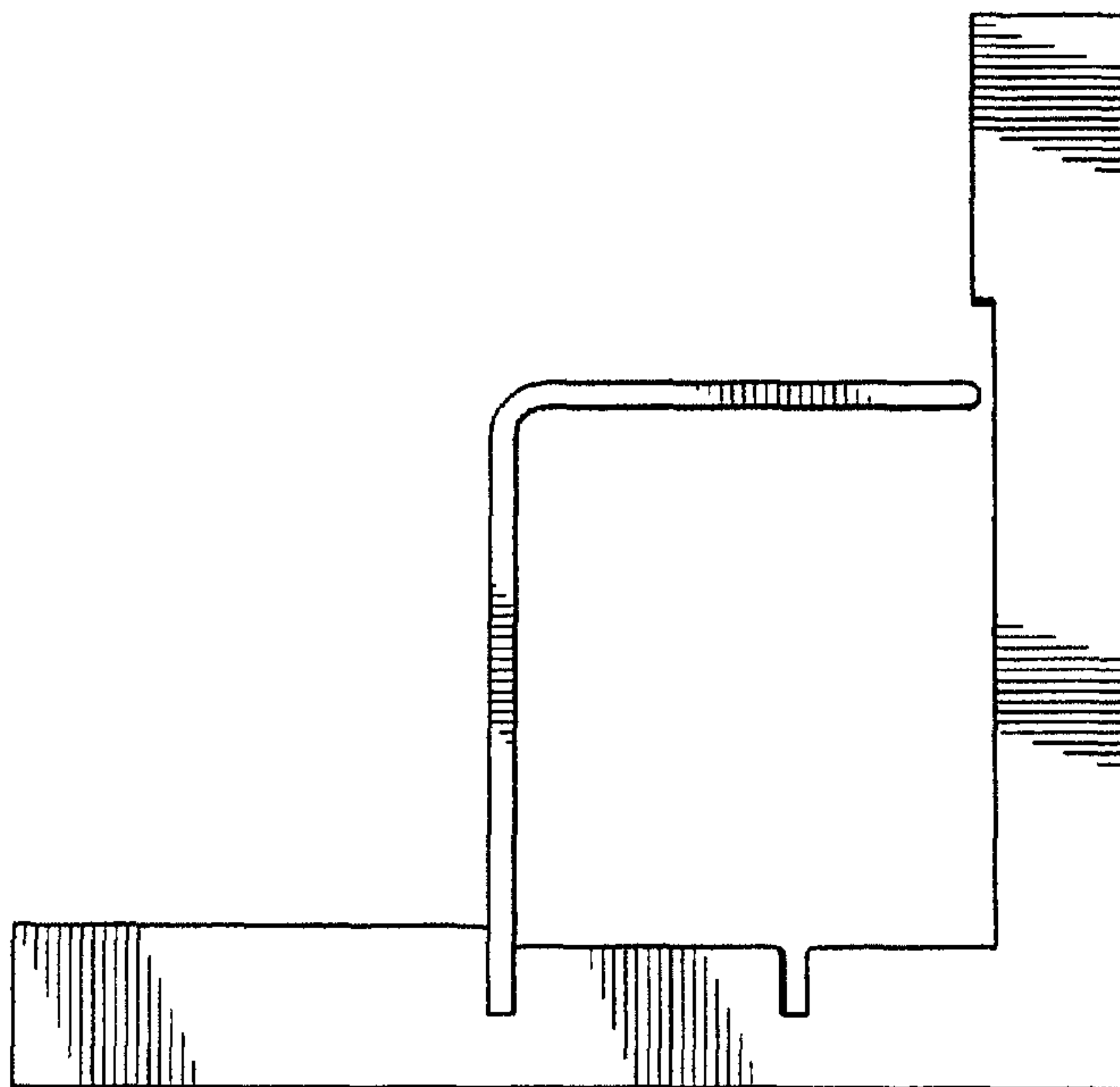


Fig. 4

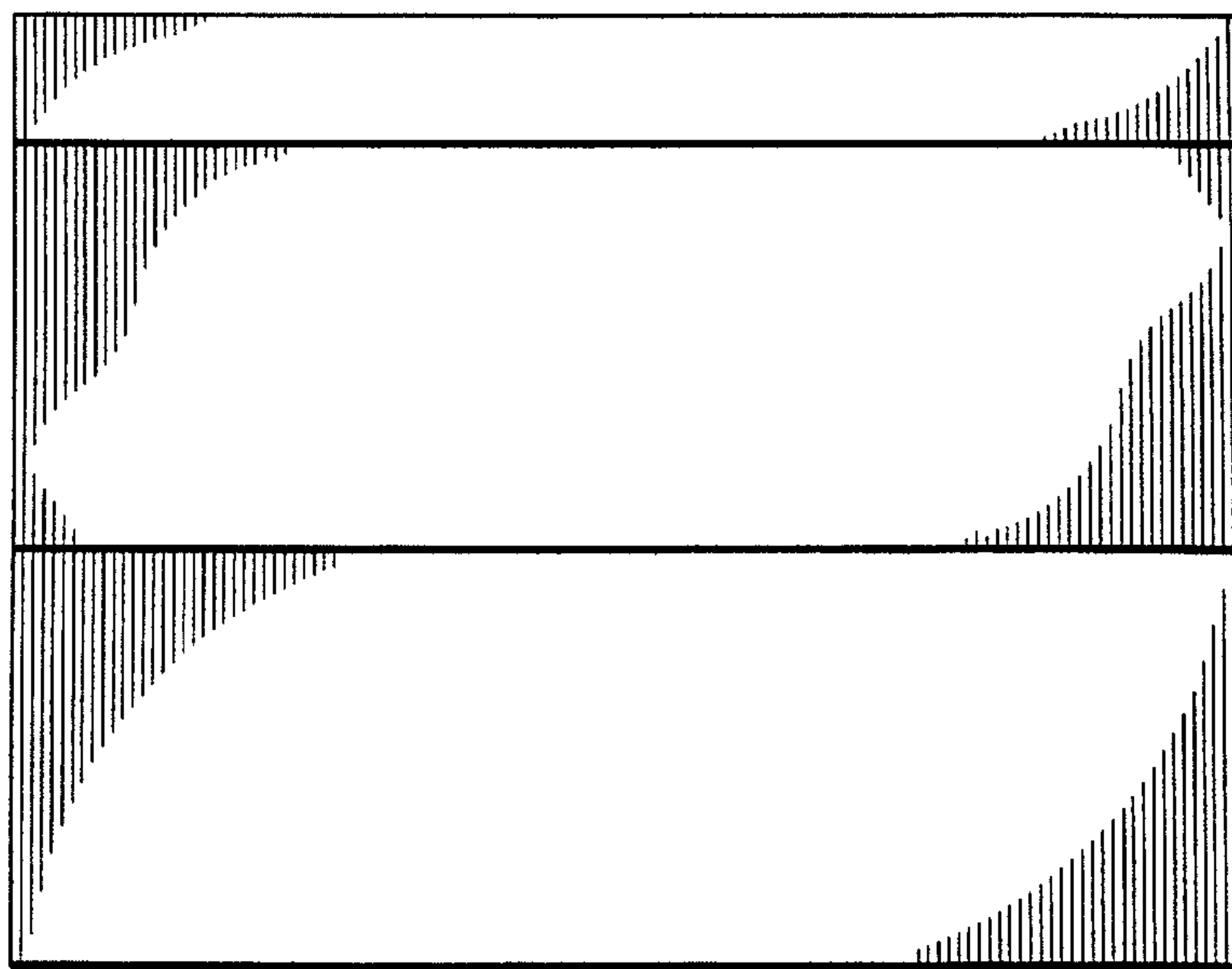


Fig. 5

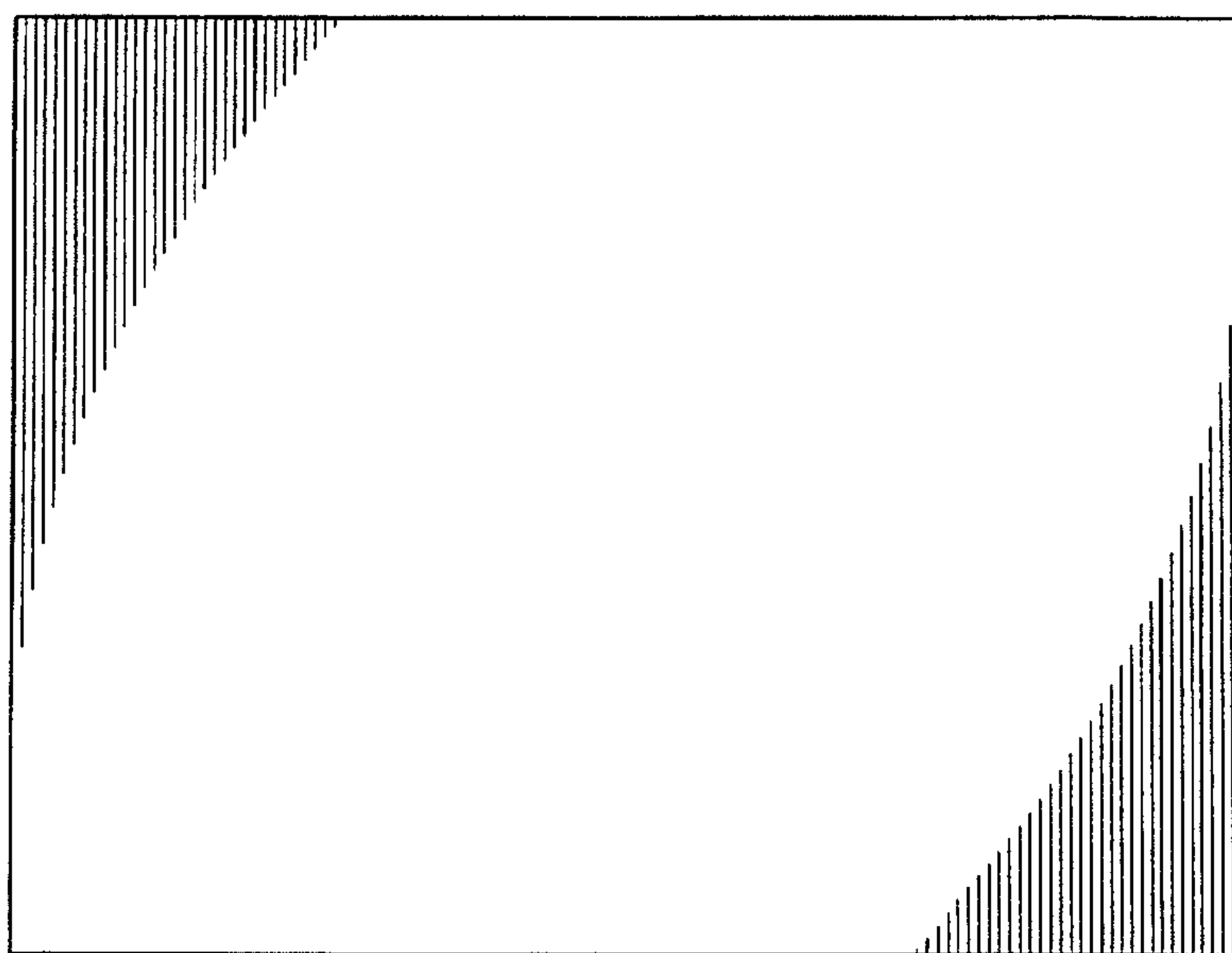


Fig. 6

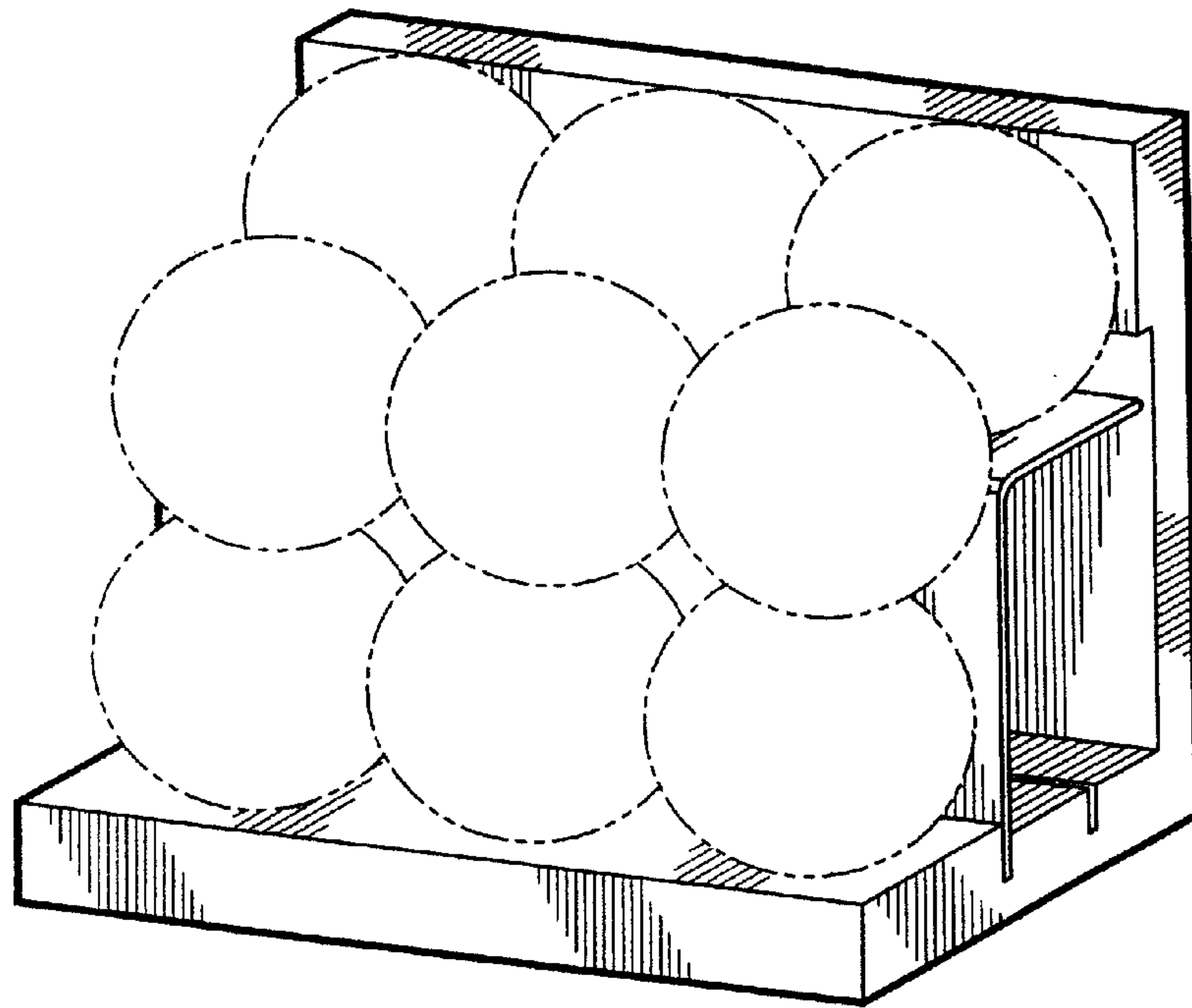


Fig. 7

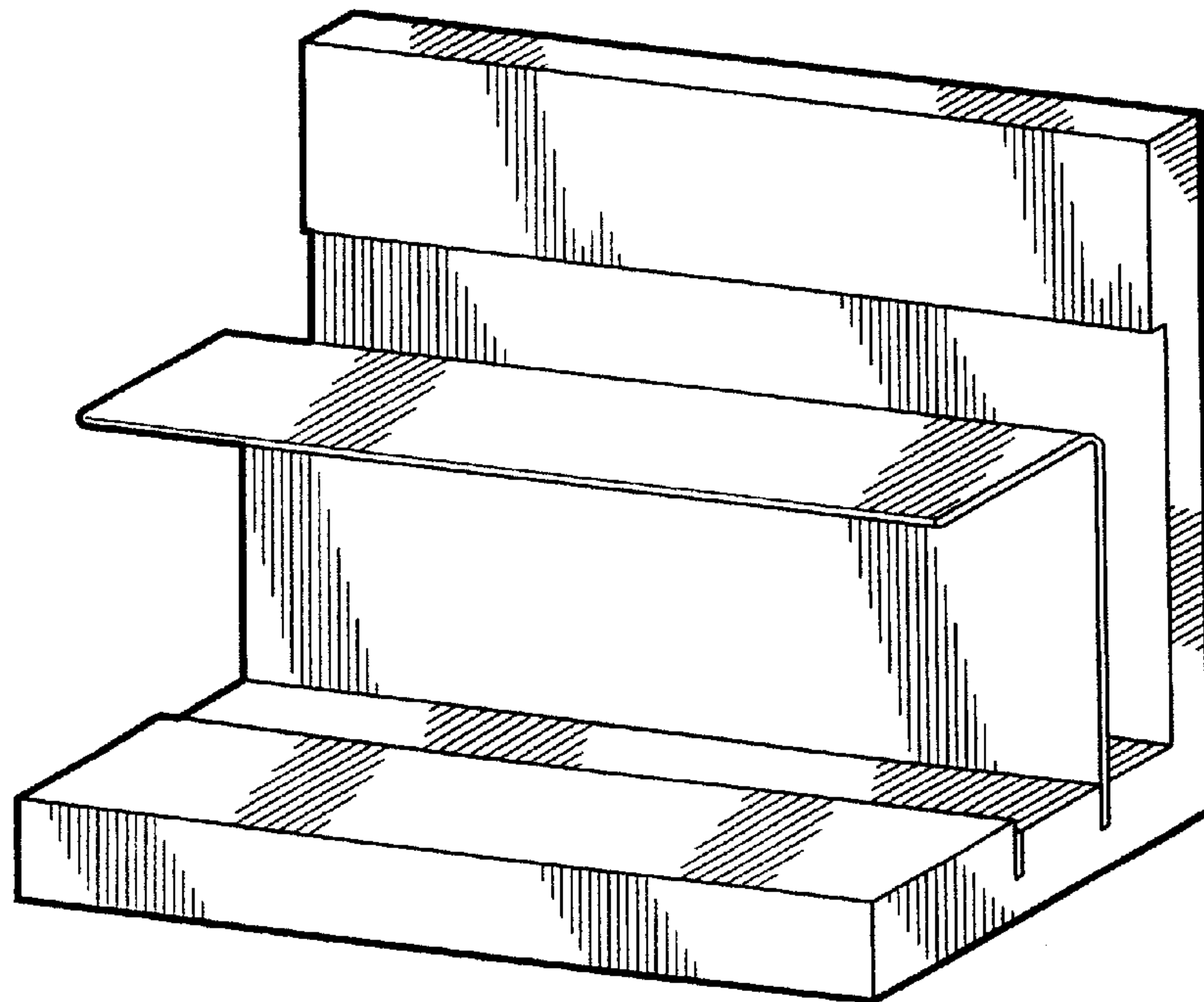


Fig. 8