



US00D541081S

(12) **United States Design Patent**
Hwang

(10) **Patent No.:** **US D541,081 S**

(45) **Date of Patent:** **** Apr. 24, 2007**

(54) **SHOW CASE FOR FOOD**

(75) Inventor: **Jae Bok Hwang**, Seongnam-si (KR)

(73) Assignee: **Paris Croissant Co., Ltd.**,
Songnam-shi, Kyoungki-do (KR)

(**) Term: **14 Years**

(21) Appl. No.: **29/245,351**

(22) Filed: **Dec. 21, 2005**

(30) **Foreign Application Priority Data**

Nov. 24, 2005 (KR) 30-2005-0039730

(51) **LOC (8) Cl.** **06-04**

(52) **U.S. Cl.** **D6/471**

(58) **Field of Classification Search** D6/470-472,
D6/475, 46, 408, 515; 220/827, 843; D7/612,
D7/601; D15/81, 83, 85, 89; 312/35-36,
312/114, 117, 119, 122

See application file for complete search history.

(56) **References Cited**

U.S. PATENT DOCUMENTS

D283,861 S * 5/1986 Cantolino D6/471
4,744,487 A * 5/1988 Welborn 220/827
D296,168 S * 6/1988 Weaver D6/475
D327,591 S * 7/1992 Gogan D6/470

D369,708 S * 5/1996 Breen D6/515
D429,882 S * 8/2000 Lee et al. D3/294
D432,869 S * 10/2000 Saunders D7/589
D508,799 S * 8/2005 Von der Burg et al. D6/470

FOREIGN PATENT DOCUMENTS

KR 287488 12/2001

* cited by examiner

Primary Examiner—Cathron C. Brooks

Assistant Examiner—Kelley A. Donnelly

(74) *Attorney, Agent, or Firm*—patentm.us; James H. Walters

(57) **CLAIM**

I claim the ornamental design for show case for food, as shown and described.

DESCRIPTION

FIG. 1 is a perspective view of the design for a show case for food;

FIG. 2 is a front view of the design of FIG. 1;

FIG. 3 is a rear elevational view of the design of FIG. 1;

FIG. 4 is a left side view of the design of FIG. 1;

FIG. 5 is a right side view of the design of FIG. 1;

FIG. 6 is a top view of the design of FIG. 1;

FIG. 7 is a bottom view of the design of FIG. 1; and,

FIG. 8 is a view of the actual use of the design of FIG. 1.

1 Claim, 6 Drawing Sheets

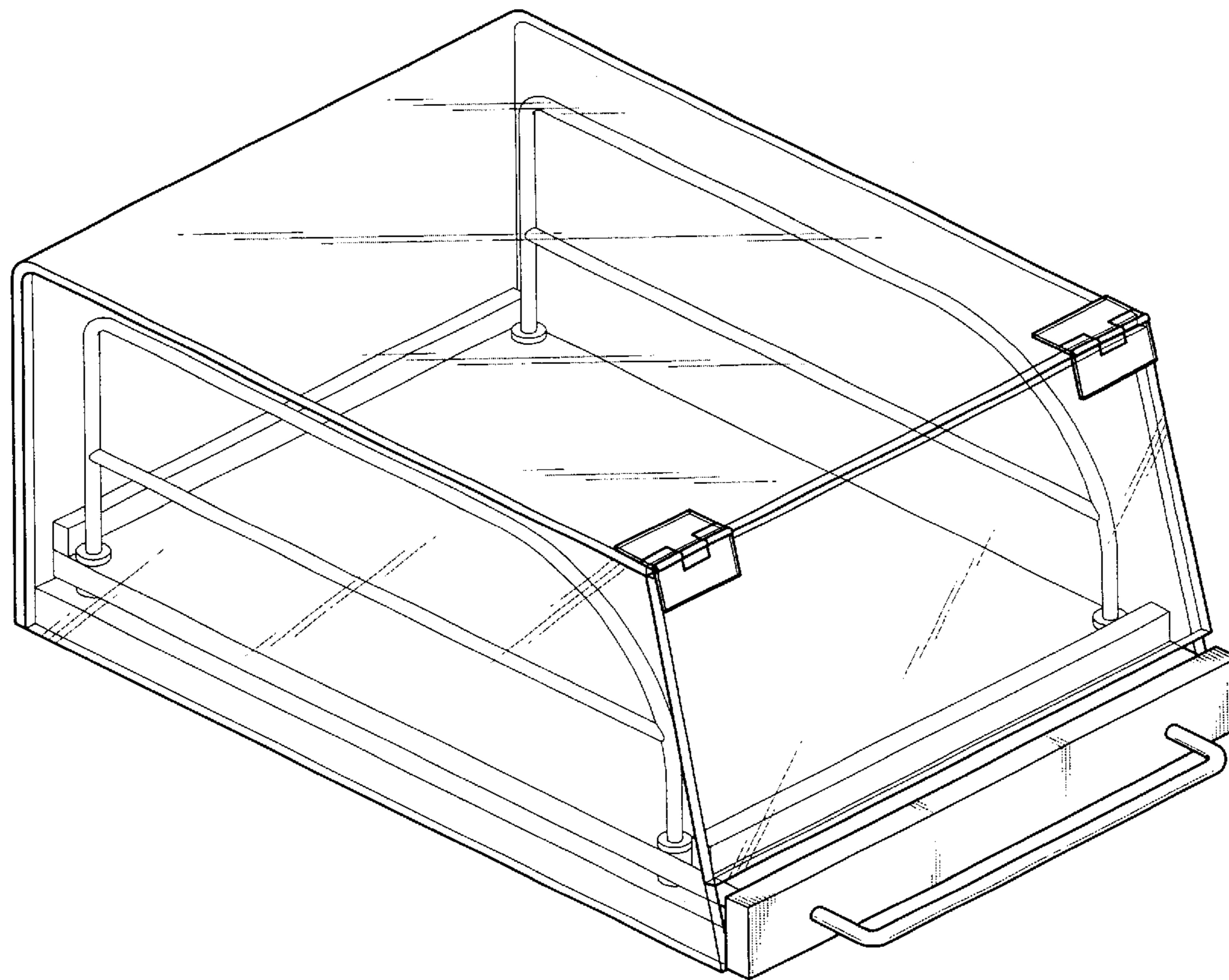


FIG. 1

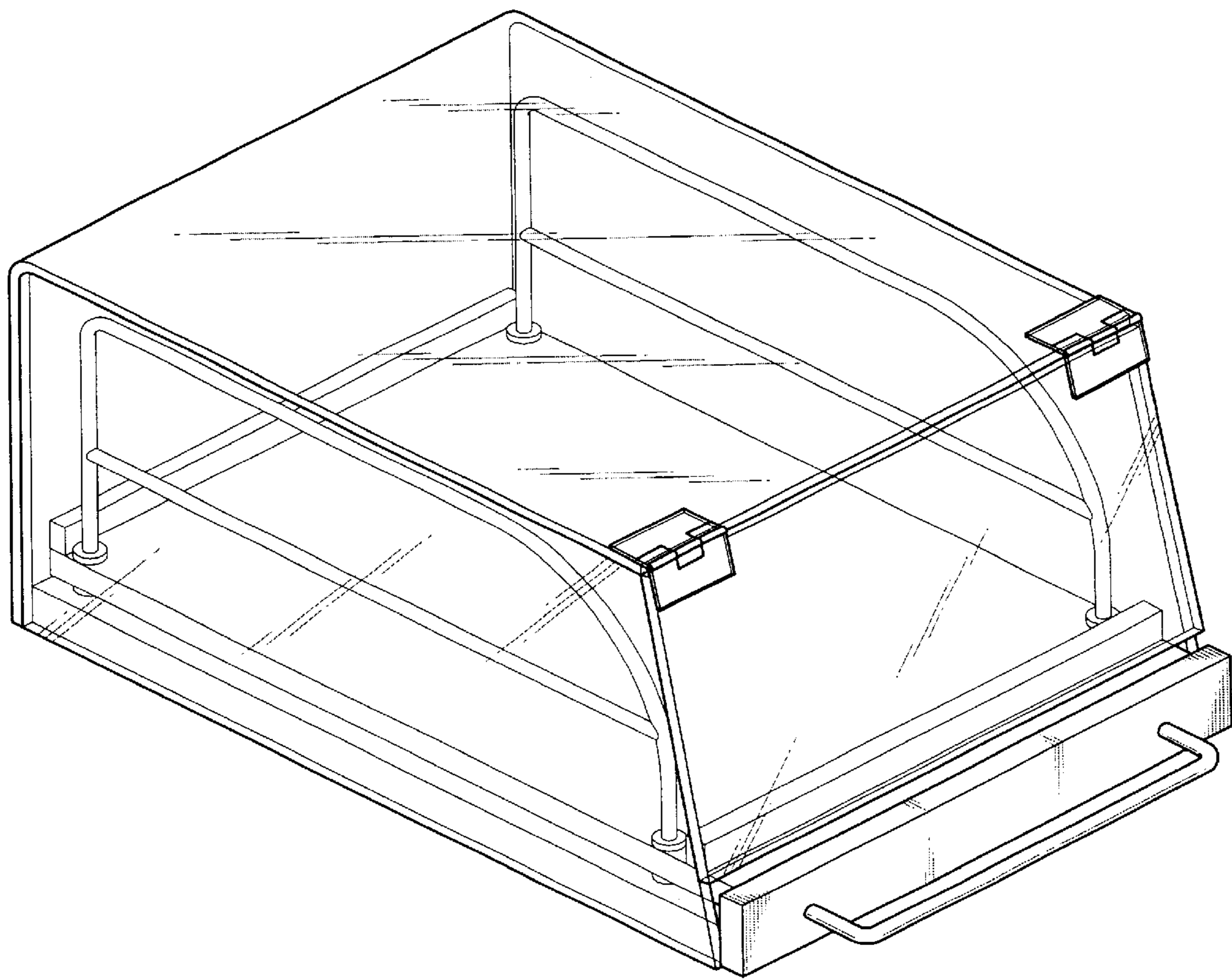


FIG. 2

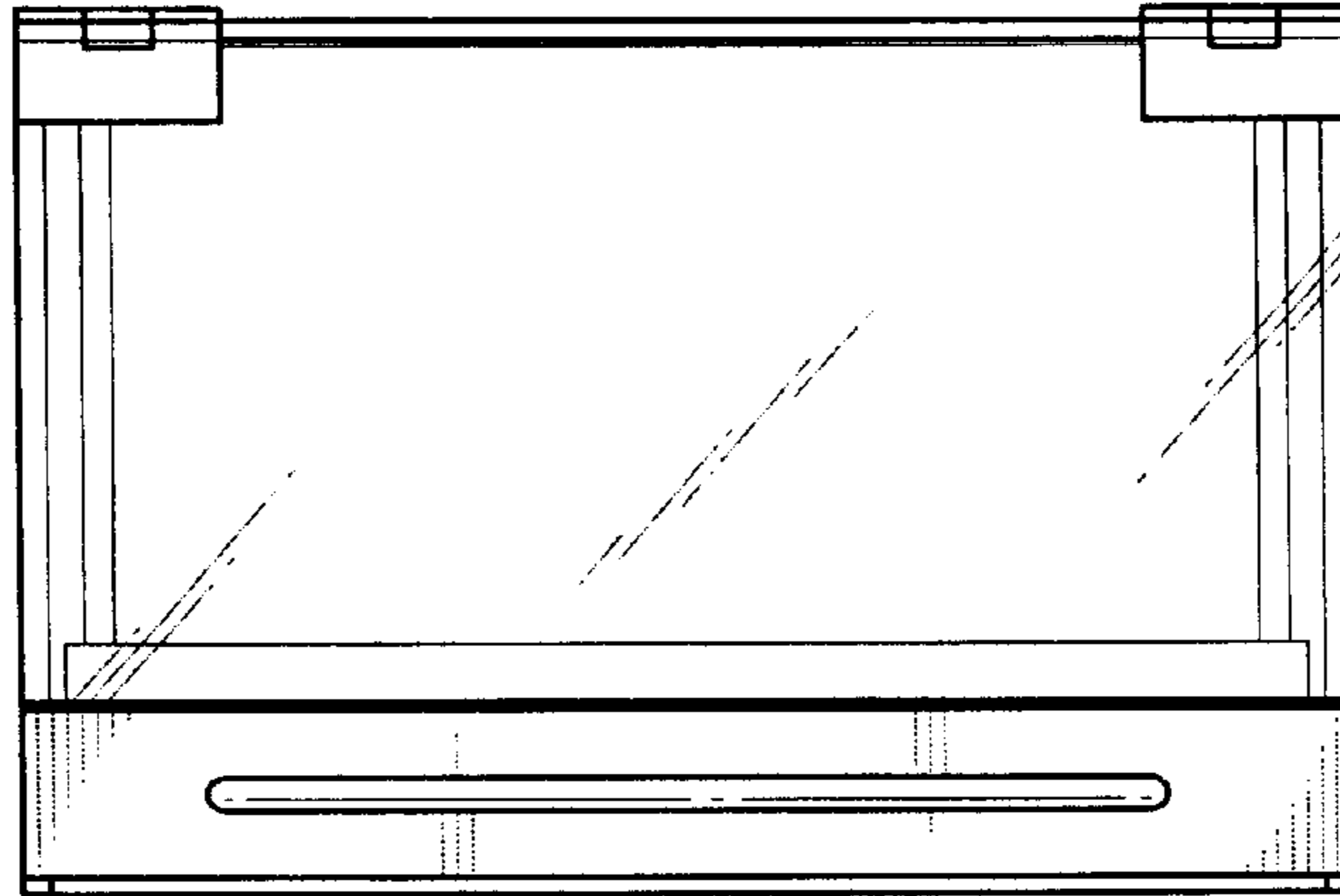


FIG. 3

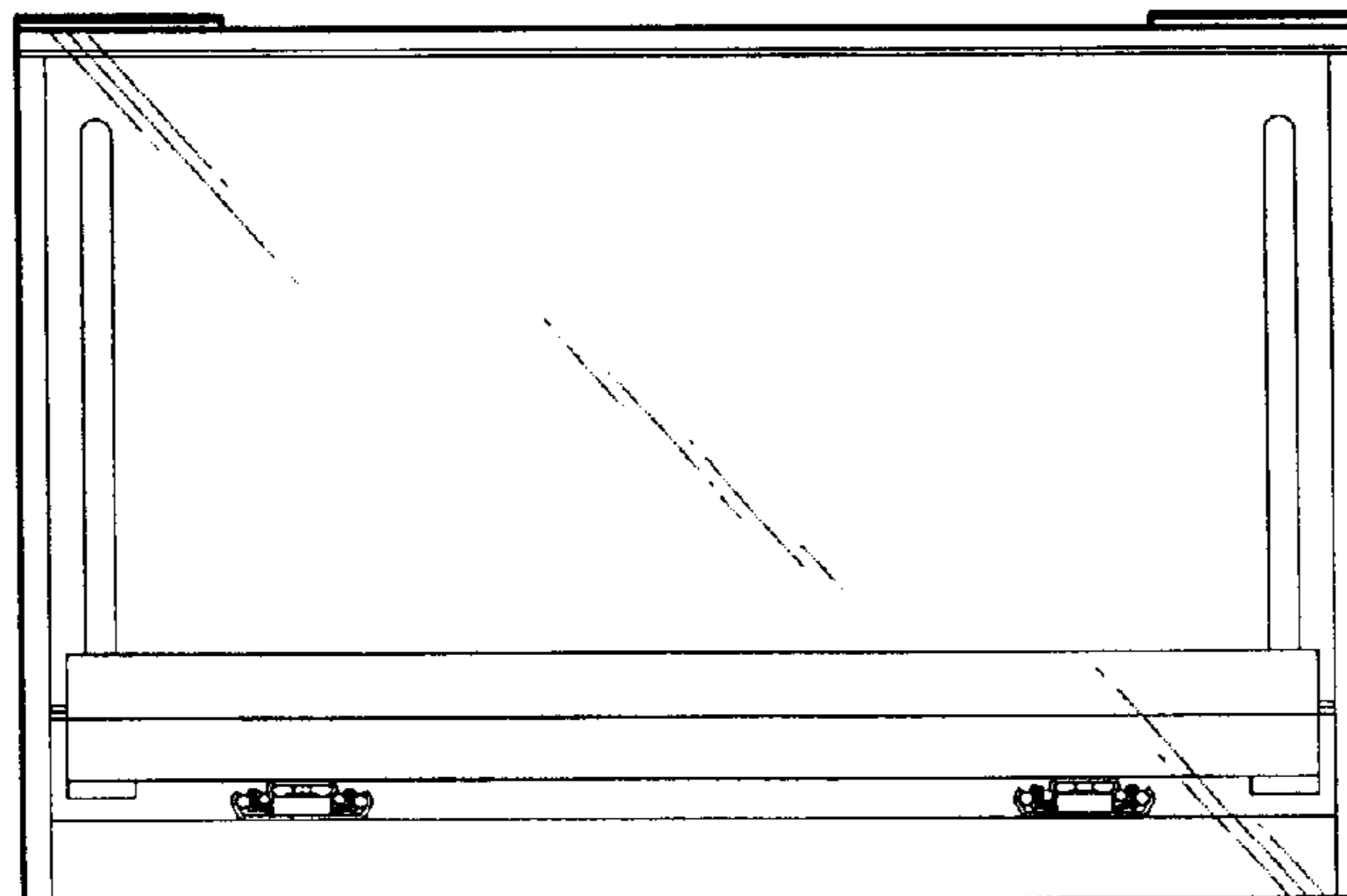


FIG. 4

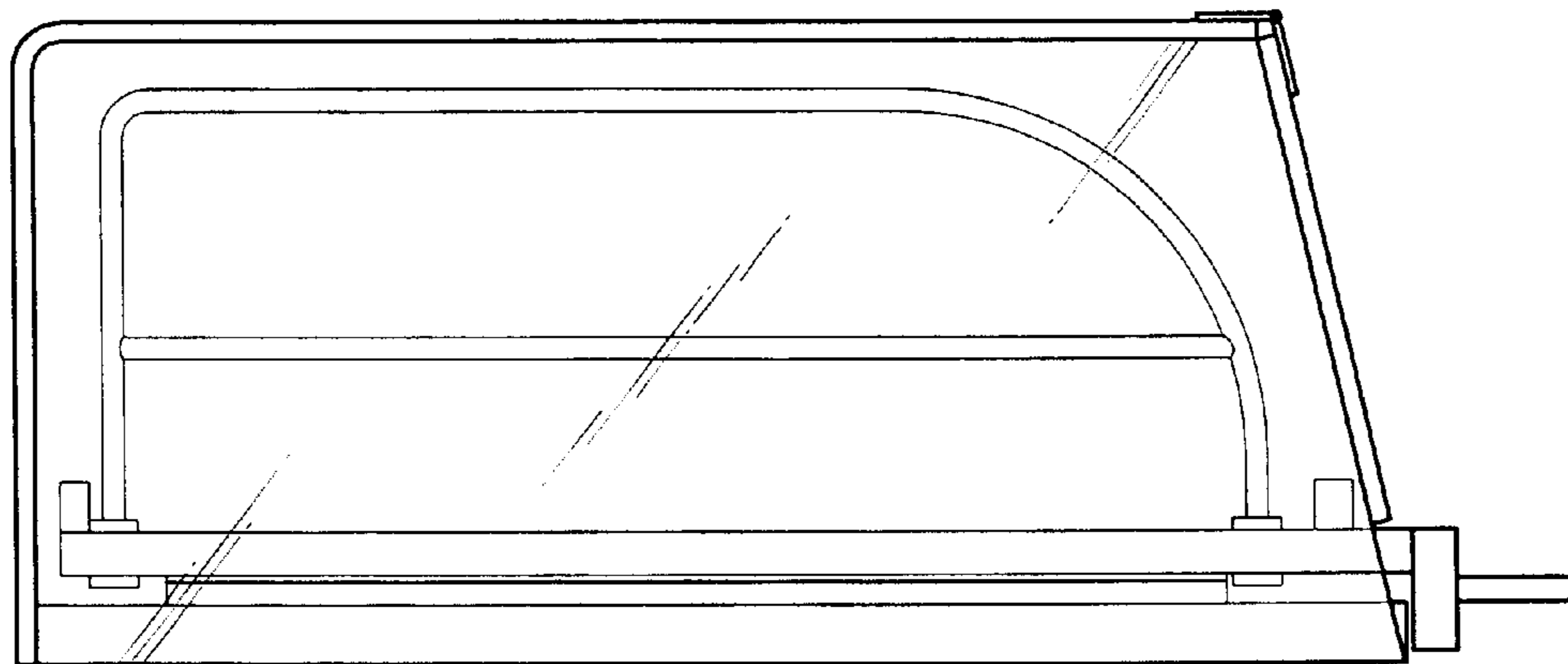


FIG. 5

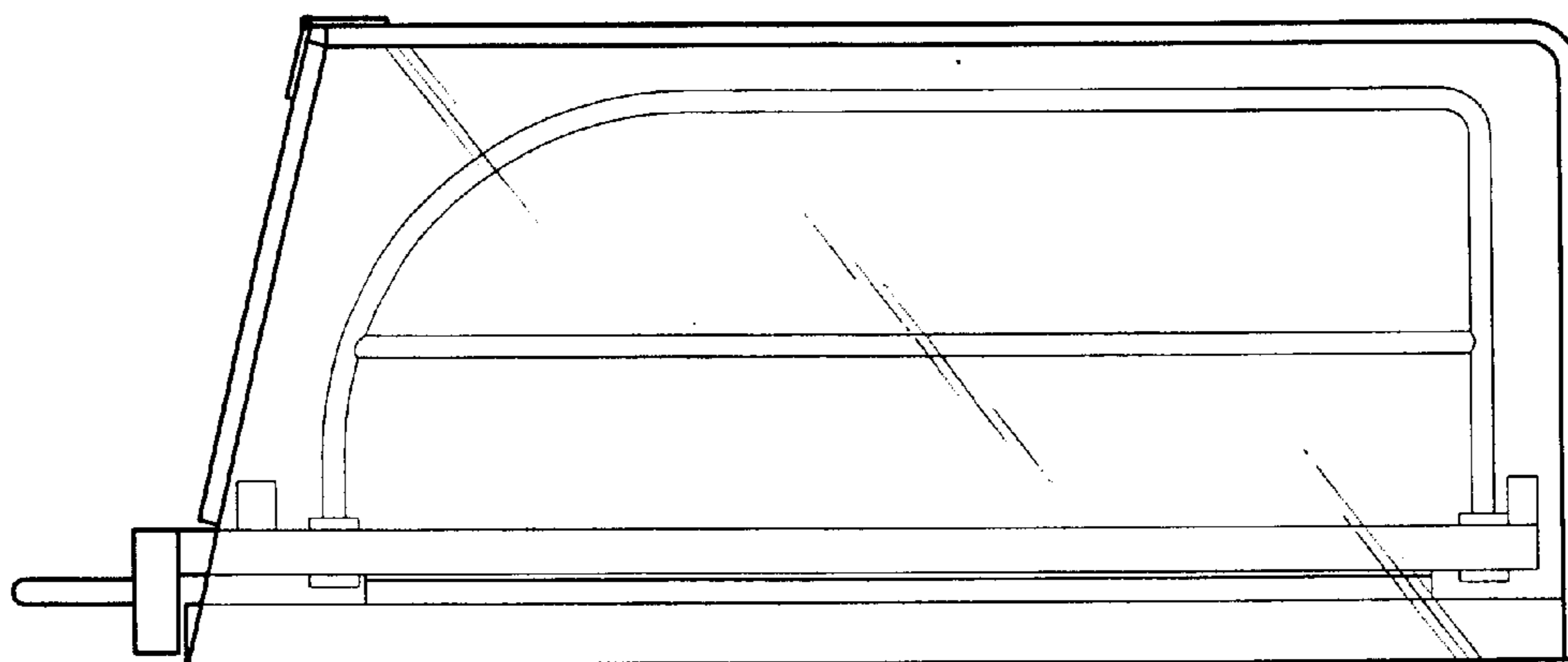


FIG. 6

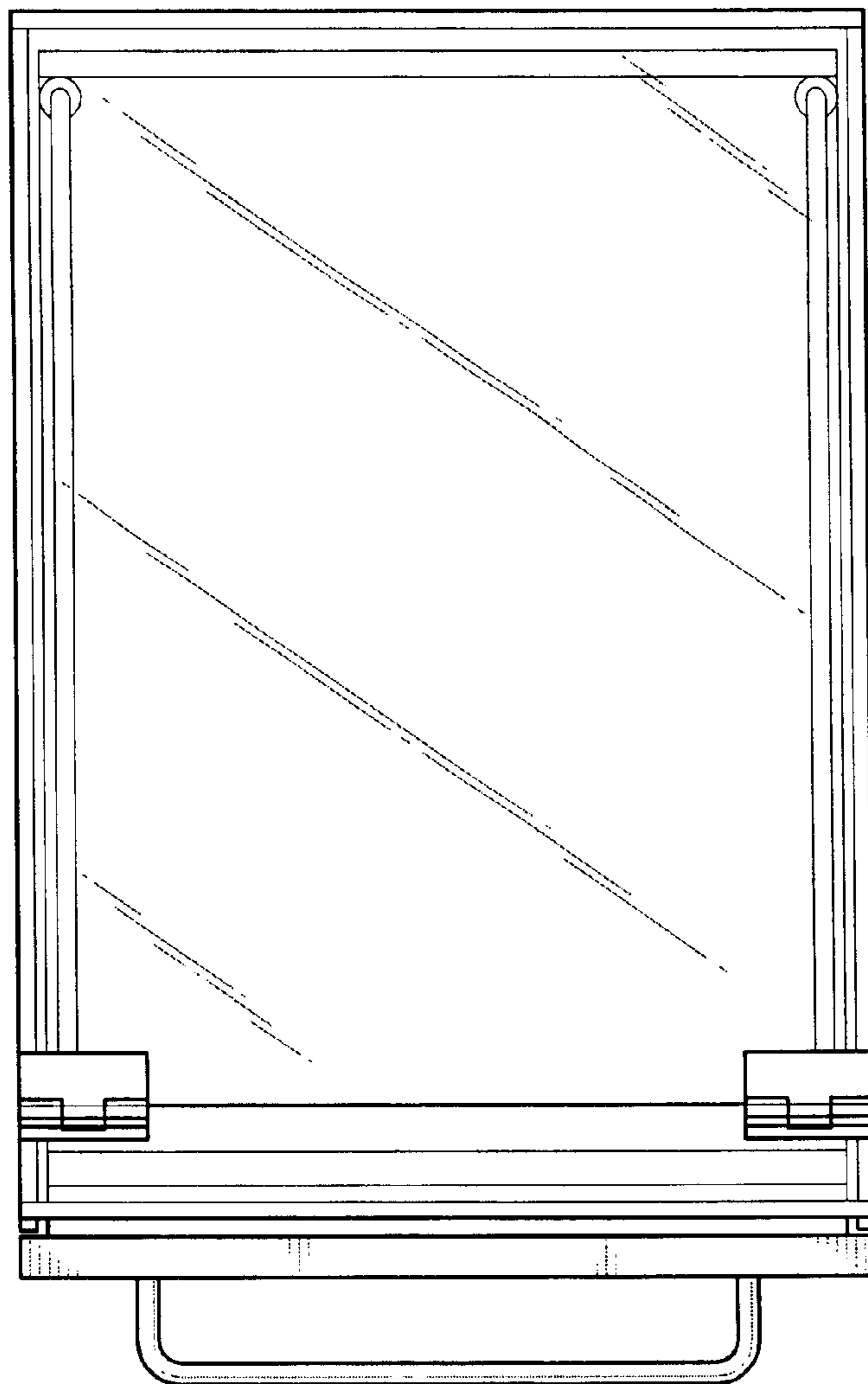


FIG. 7

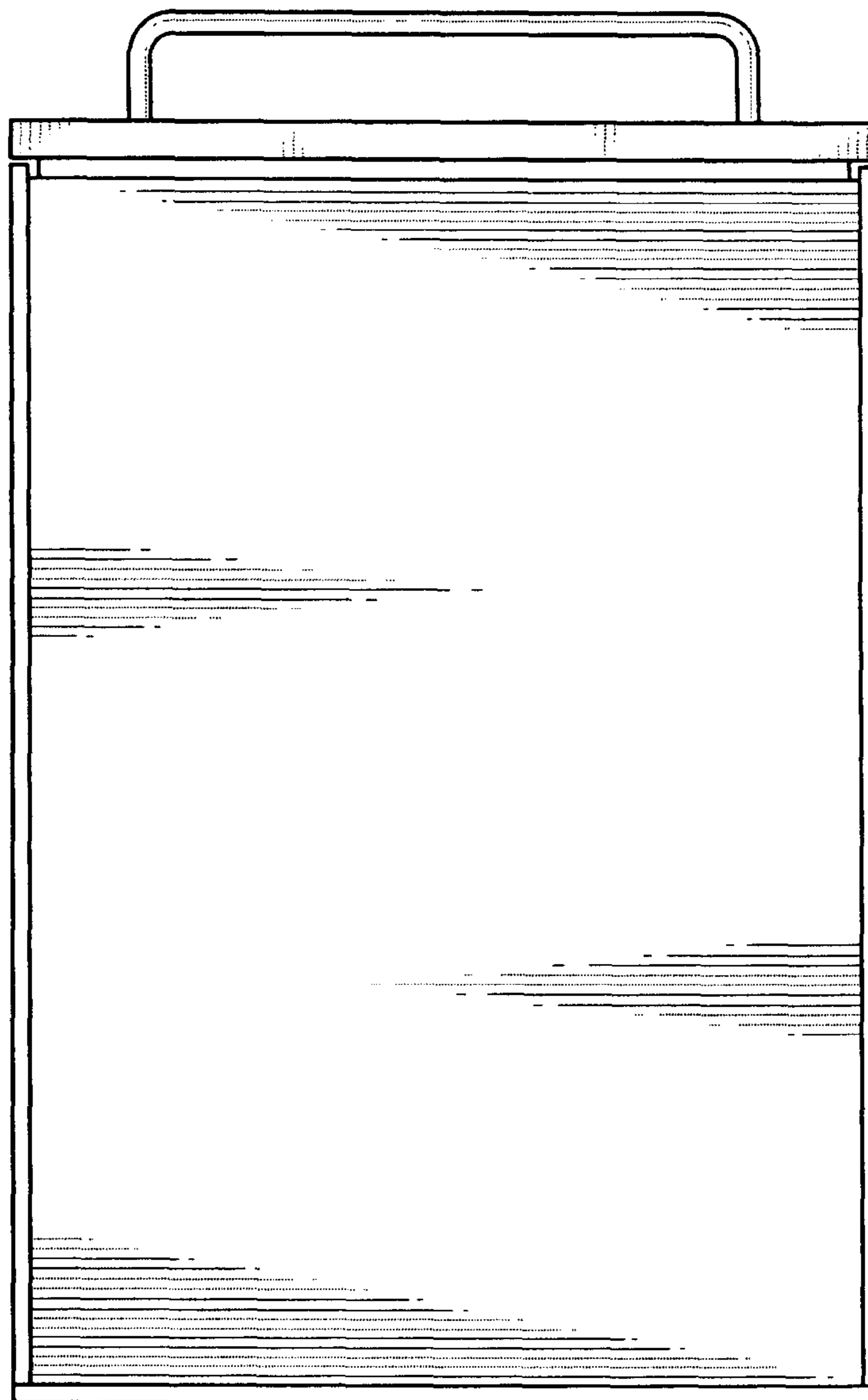


FIG. 8

