

US00D541079S

(12) **United States Design Patent** (10) **Patent No.:** **US D541,079 S**  
**Brown** (45) **Date of Patent:** **\*\* Apr. 24, 2007**

(54) **PACKAGED ICE CREAM DISPLAY UNIT**  
(76) Inventor: **Daniel T. Brown**, 3883 Turtle Creek Blvd., Ste. 1611, Dallas, TX (US) 75219  
(\*\*) Term: **14 Years**  
(21) Appl. No.: **29/244,668**  
(22) Filed: **Dec. 13, 2005**  
(51) **LOC (8) Cl.** ..... **06-04**  
(52) **U.S. Cl.** ..... **D6/470**  
(58) **Field of Classification Search** ..... D6/470-472, D6/396-397, 426, 436, 477, 481; D15/81-83; 62/3.62, 256, 246, 249; 312/114, 116, 235.1  
See application file for complete search history.

D352,192 S 11/1994 Gelinas  
5,477,702 A \* 12/1995 Kennedy et al. .... 62/256  
D365,828 S 1/1996 Lacewell et al.  
D392,295 S 3/1998 Johnson  
D396,048 S 7/1998 Meehan  
D400,545 S \* 11/1998 Iverlund ..... D15/81  
D423,113 S \* 4/2000 Horton ..... D25/16  
6,089,036 A \* 7/2000 Carlson et al. .... 62/256  
D438,400 S 3/2001 Acheson  
6,269,285 B1 7/2001 Mignault  
D449,845 S 10/2001 Reese et al.  
D463,571 S \* 9/2002 Cohn ..... D25/16  
6,467,294 B1 \* 10/2002 Walker et al. .... 62/255  
6,612,124 B1 \* 9/2003 Hatch et al. .... 62/258  
D481,581 S 11/2003 Pearlman et al.  
6,915,657 B1 7/2005 Wood  
D515,846 S \* 2/2006 Reeves et al. .... D6/471  
2002/0062654 A1 5/2002 Navarro  
2002/0162347 A1 \* 11/2002 Walker et al. .... 62/256

(56) **References Cited**

U.S. PATENT DOCUMENTS

2,499,089 A 2/1950 Brill et al.  
2,518,134 A 8/1950 Fredenhagen et al.  
D181,258 S 10/1957 Kuhn  
D193,047 S \* 6/1962 Swift ..... D6/509  
D249,614 S 9/1978 Burton  
4,165,620 A 8/1979 Gehauf nee Kiesel et al.  
D278,193 S 4/1985 Boxall  
4,572,598 A 2/1986 Moore, Jr.  
4,777,806 A 10/1988 Perez  
4,813,241 A 3/1989 Hurutachi et al.  
D302,221 S \* 7/1989 Suttles et al. .... D6/481  
D303,595 S 9/1989 Thompson  
D307,026 S 4/1990 Barish  
4,941,327 A 7/1990 Miles  
D326,024 S \* 5/1992 Boyd et al. .... D6/480  
5,168,719 A \* 12/1992 Branz et al. .... 62/258  
D334,495 S 4/1993 Bustos  
5,201,191 A 4/1993 Bustos  
5,282,367 A \* 2/1994 Moore et al. .... 62/256  
D348,367 S \* 7/1994 Geisen et al. .... D6/481  
D349,203 S 8/1994 Kelemen et al.  
D351,298 S 10/1994 Gelinas

\* cited by examiner

*Primary Examiner*—Cathron C. Brooks  
*Assistant Examiner*—Kelley A. Donnelly  
(74) *Attorney, Agent, or Firm*—Dennis T. Griggs

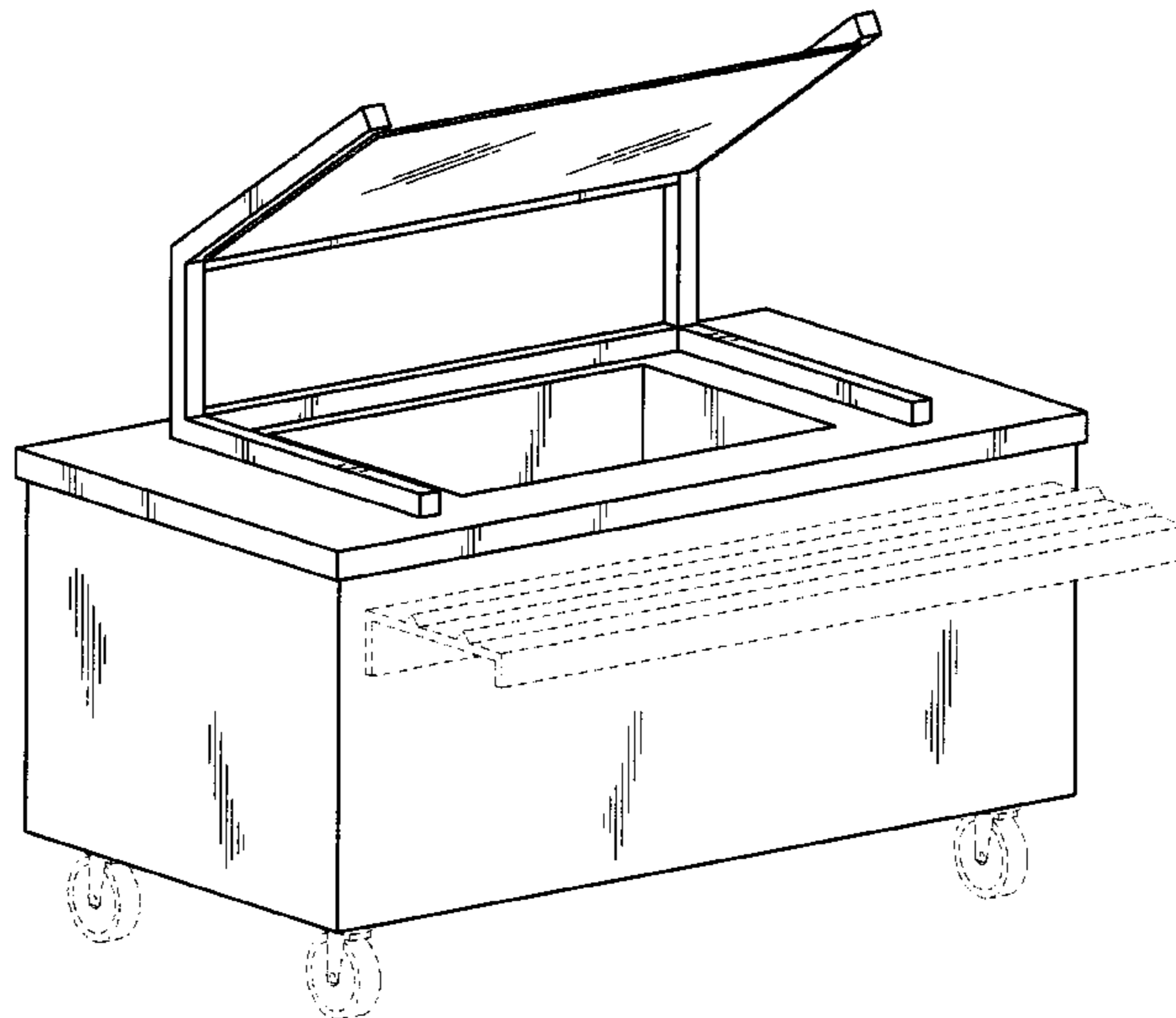
(57) **CLAIM**

The ornamental design for a packaged ice cream display unit, as shown and described.

**DESCRIPTION**

FIG. 1 is a front perspective view showing my new design; FIG. 2 is a front elevational view thereof; FIG. 3 is a right side elevational view thereof, the left side elevational view being a mirror image thereof; FIG. 4 is a top plan view thereof; FIG. 5 is a rear elevational view thereof; and, FIG. 6 is a rear perspective view thereof. The bottom view is omitted and forms no part of the claimed design. The broken lines represent environmental subject matter and form no part of the claimed design.

**1 Claim, 4 Drawing Sheets**



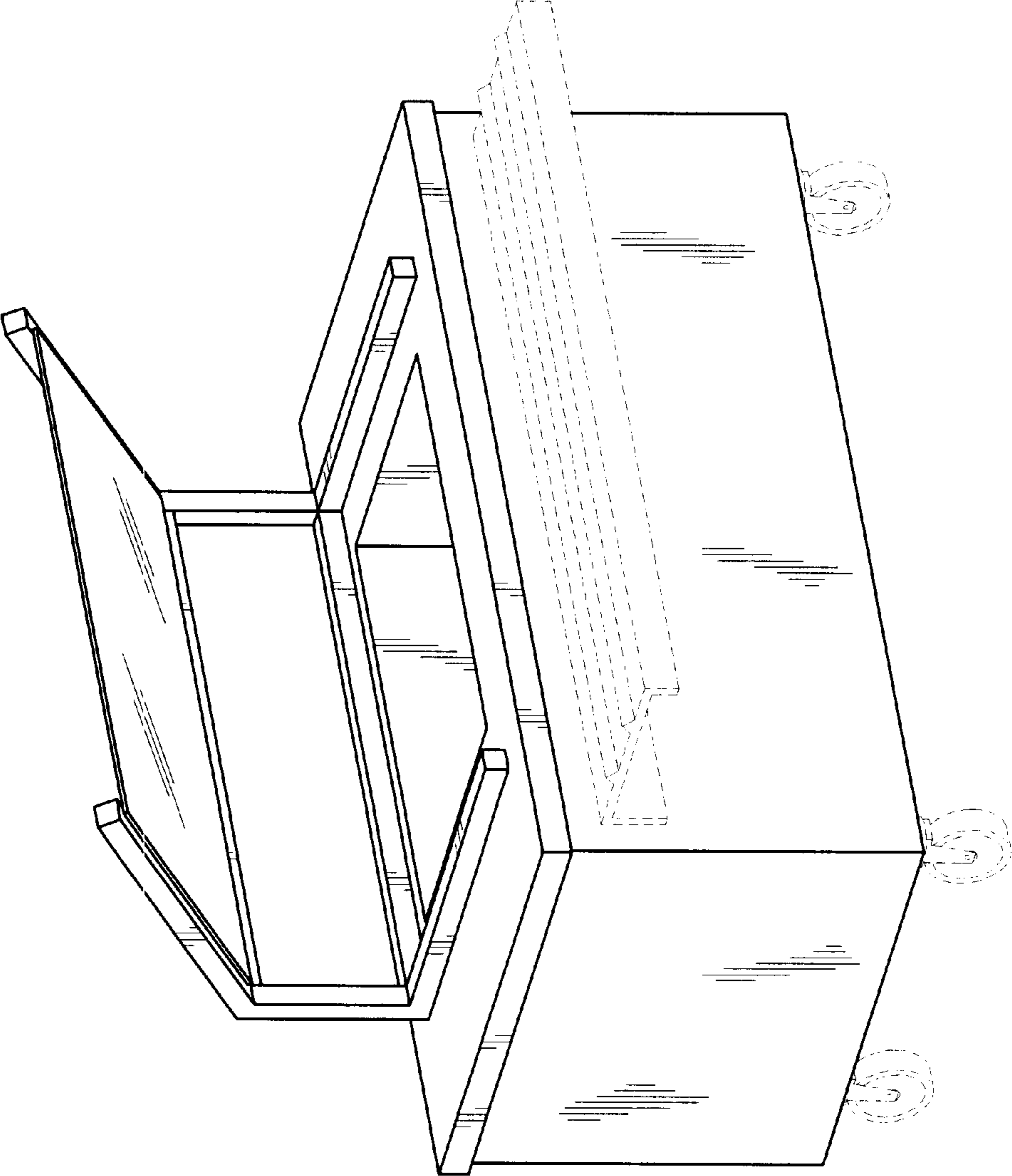


FIG. 1

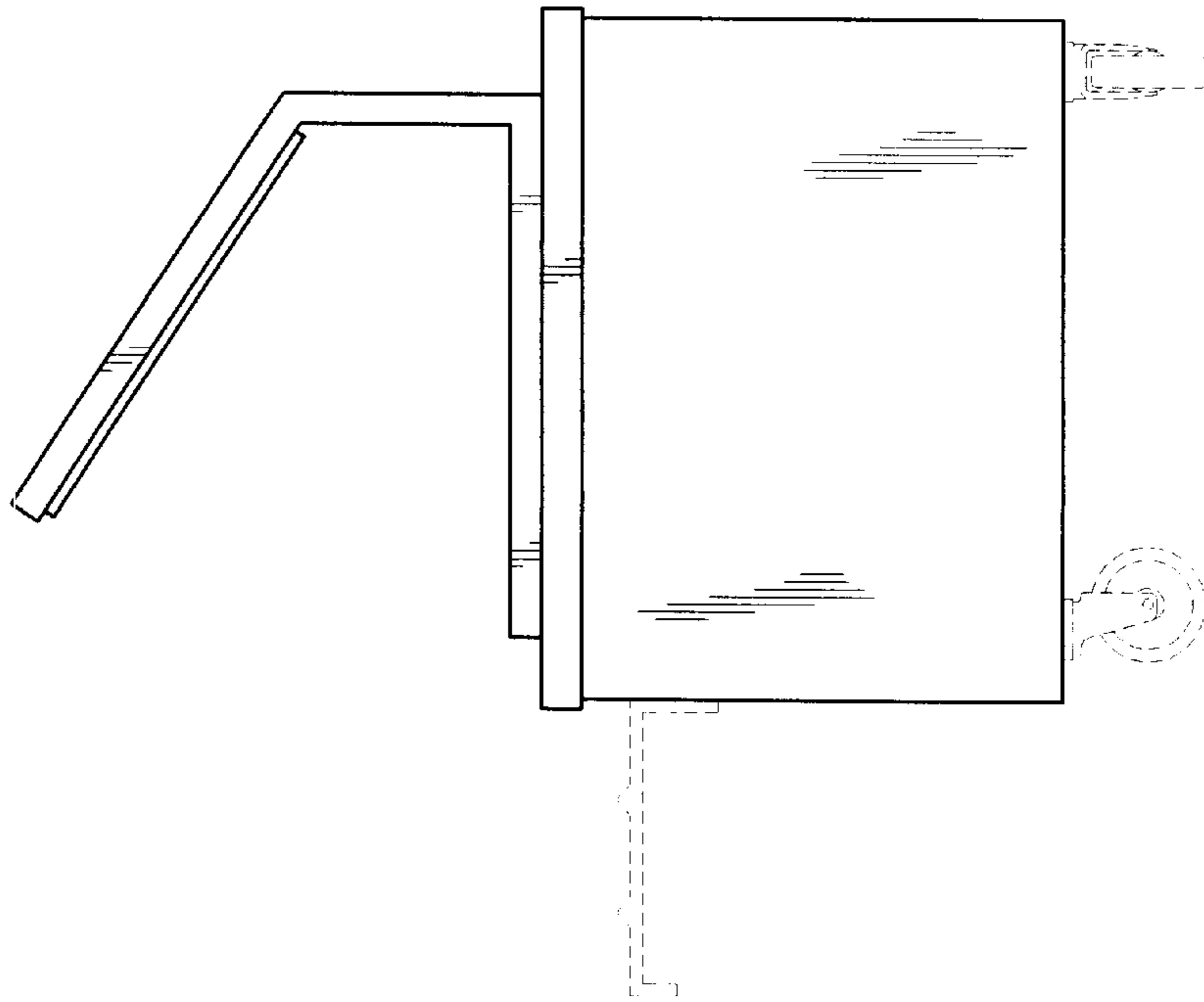


FIG. 2

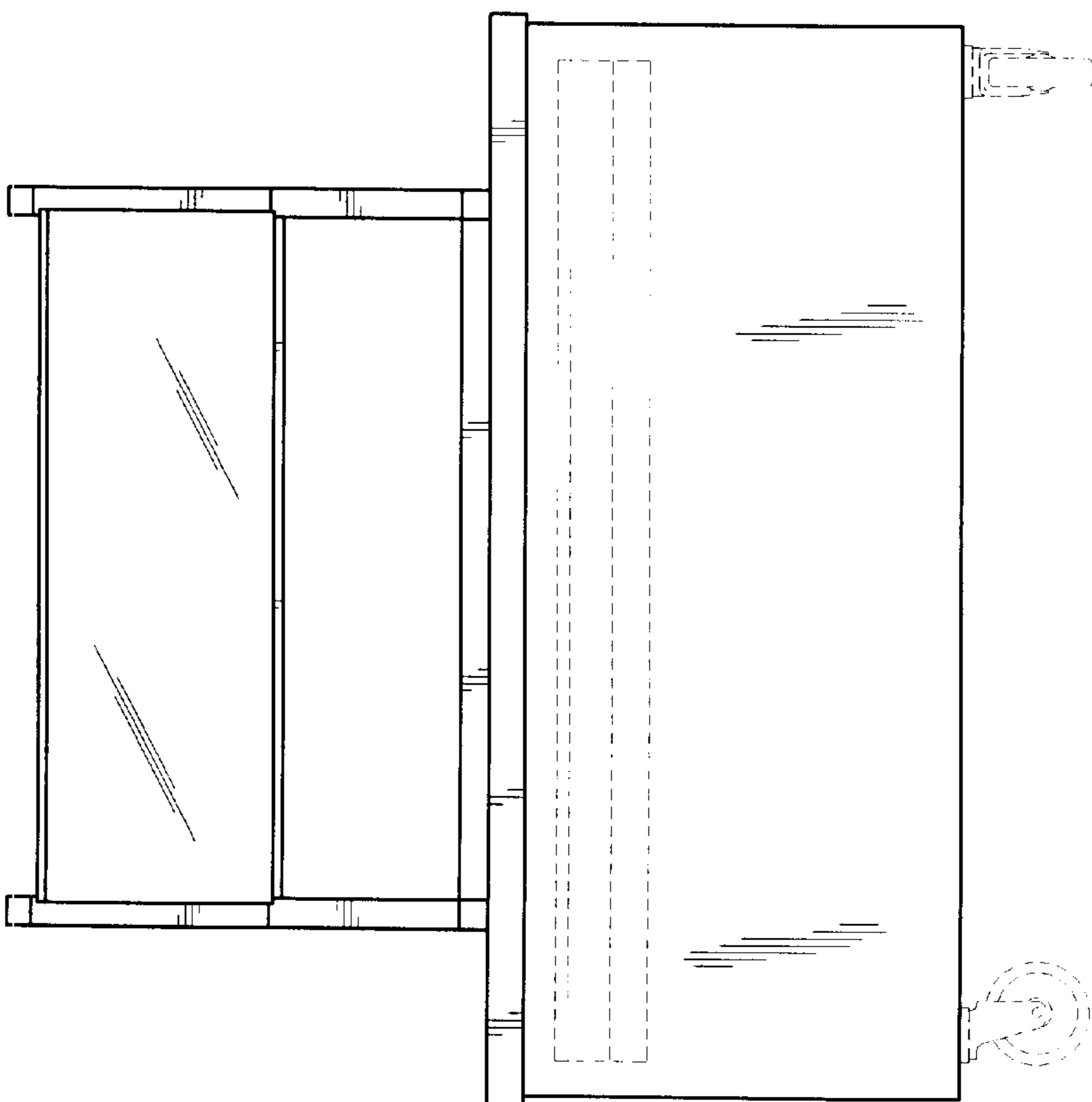


FIG. 3

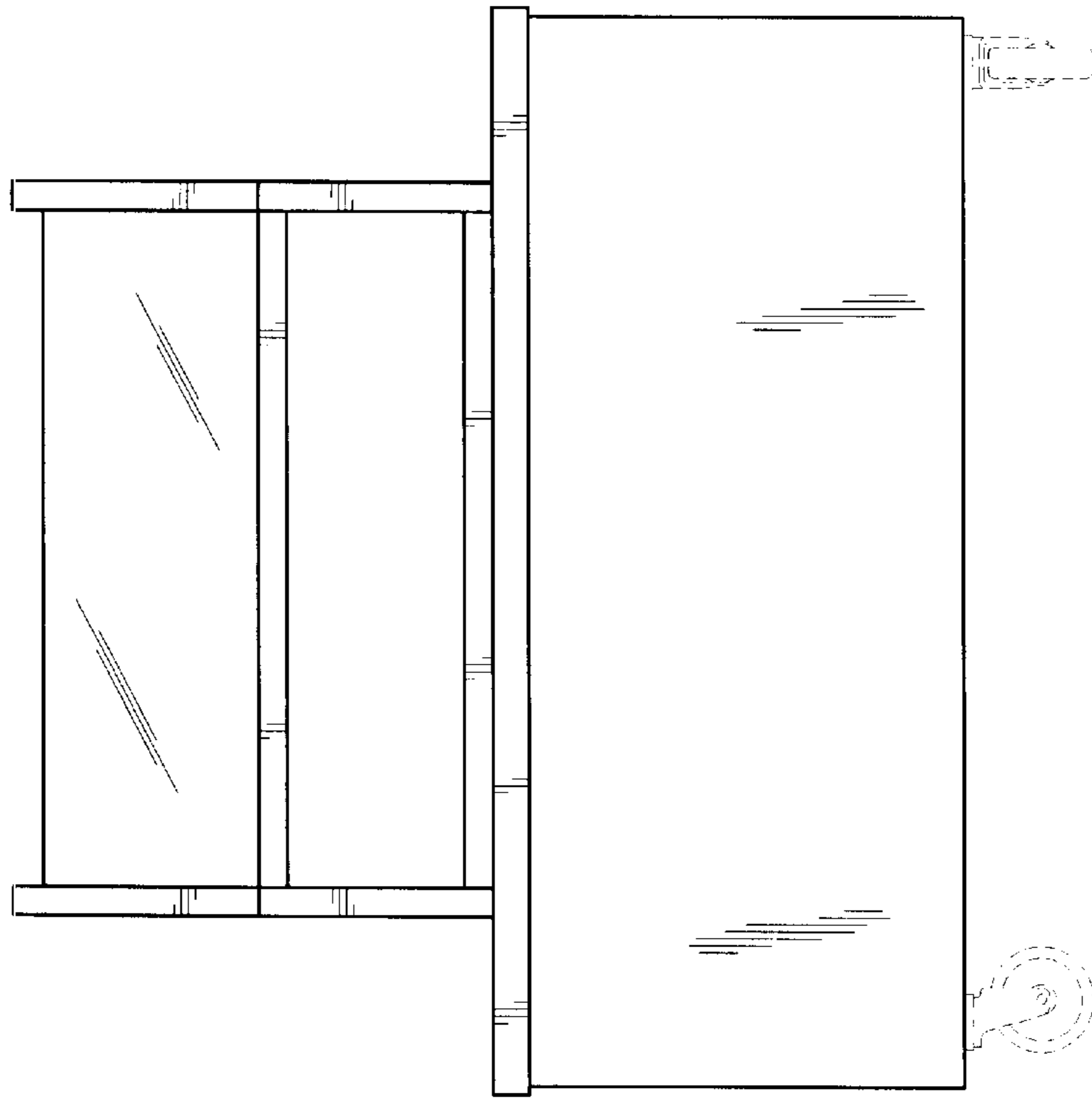


FIG. 5

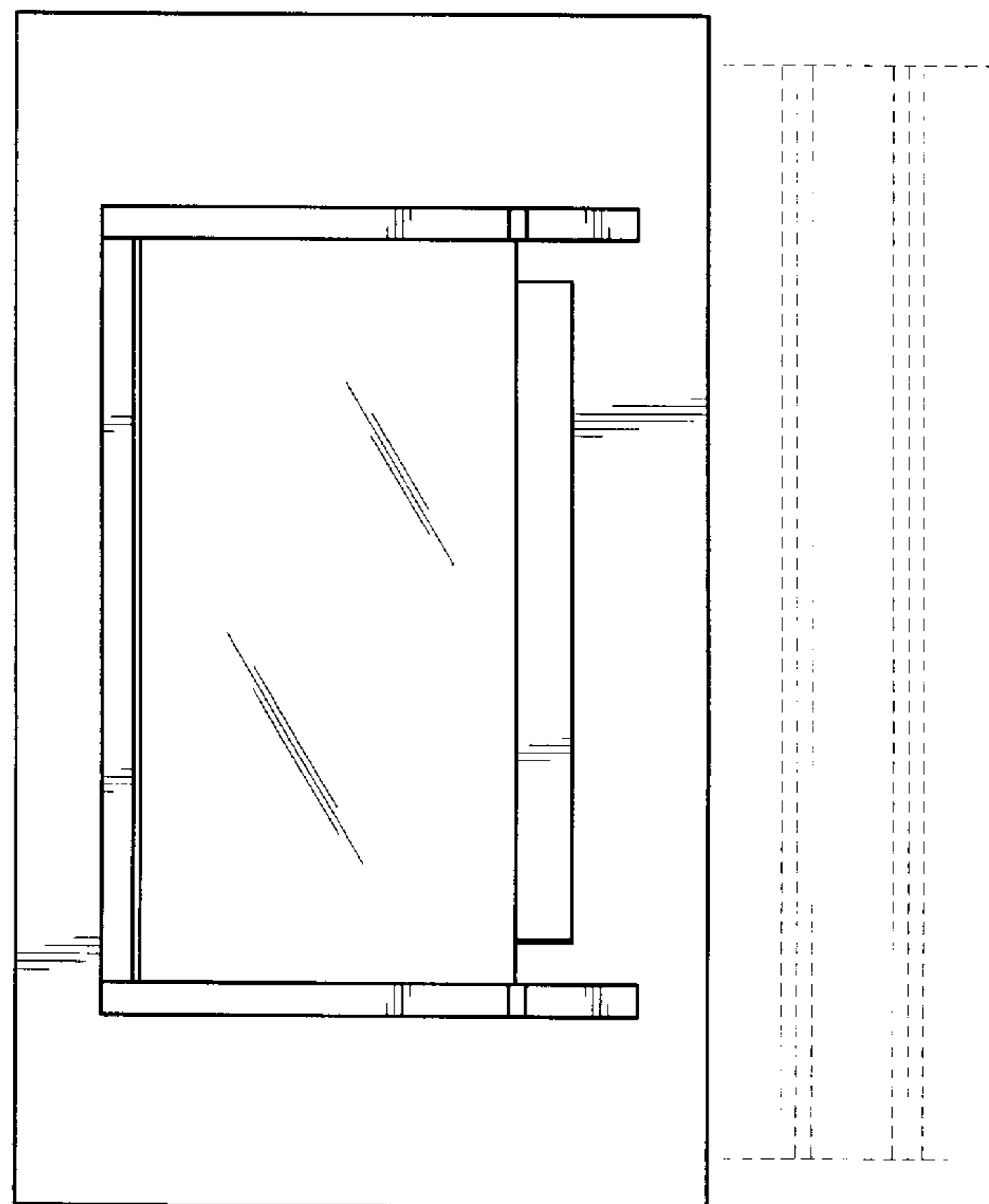


FIG. 4

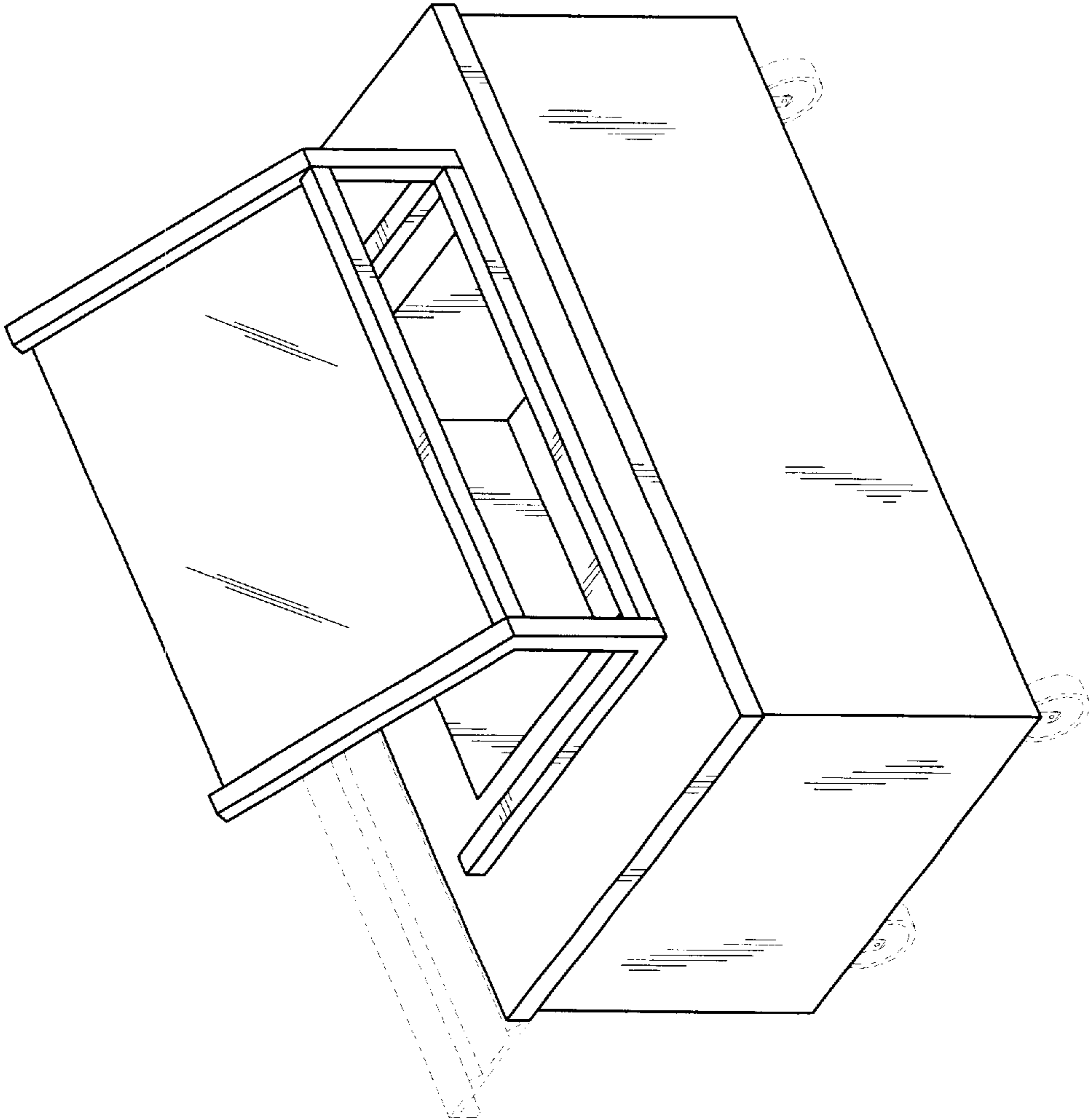


FIG. 6