

US00D541078S

(12) **United States Design Patent**
Flaum

(10) **Patent No.:** **US D541,078 S**

(45) **Date of Patent:** **** Apr. 24, 2007**

(54) **HOCKEY BLADE AND STICK STORAGE RACK**

5,273,248 A * 12/1993 Grander 248/460
D356,907 S * 4/1995 Jernigan D6/463
5,413,228 A 5/1995 LeClerc

(75) Inventor: **Richard V. Flaum**, Bloomfield Hills, MI (US)

(Continued)

(73) Assignee: **Black Beauty Custom Sticks, LLC**, Clawson, MI (US)

Primary Examiner—Janice E. Seeger
Assistant Examiner—Sydney R. Buffalow
(74) *Attorney, Agent, or Firm*—Butzel Long

(**) Term: **14 Years**

(57) **CLAIM**

(21) Appl. No.: **29/251,385**

The ornamental design for a hockey blade and stick storage rack, as shown and described.

(22) Filed: **Jan. 5, 2006**

DESCRIPTION

Related U.S. Application Data

(60) Continuation-in-part of application No. 11/273,385, filed on Nov. 14, 2005, and a continuation-in-part of application No. 10/819,843, filed on Apr. 7, 2004, now Pat. No. 6,817,957, and a continuation-in-part of application No. 10/371,032, filed on Feb. 20, 2003, and a continuation-in-part of application No. 10/309,839, filed on Dec. 4, 2002, now Pat. No. 6,855,078, which is a division of application No. 10/309,839, filed on Dec. 4, 2002, now Pat. No. 6,855,078.

FIG. 1 illustrates a perspective view of a hockey blade and stick storage rack incorporating my design.

(51) **LOC (8) Cl.** **06-04**

(52) **U.S. Cl.** **D6/463**

(58) **Field of Classification Search** D6/455, D6/458, 457, 463, 467, 465, 468, 495, 566, D6/524; 211/85.31, 85.1, 85.2, 13.1, 85.4, 211/133.5, 119, 106, 85, 42, 49.1, 55, 41.4, 211/2, 133.2, 90.03, 186–189, 200, 204; 108/92; 248/153, 177.1

FIG. 2 illustrates a right side view of the hockey blade and stick storage rack illustrated in FIG. 1 with the measuring step resting in a useable position outside the rack.

FIG. 3 illustrates a left side view of the hockey blade and stick storage rack illustrated in FIG. 1 with the measuring step resting in a useable position outside the rack.

FIG. 4 illustrates a front view of the hockey blade and stick storage rack illustrated in FIG. 1 with the measuring step resting in a useable position outside the rack.

FIG. 5 illustrates a rear view of the hockey blade and stick storage rack illustrated in FIG. 1 with the measuring step resting in a useable position outside the rack.

FIG. 6 illustrates a top view of the hockey blade and stick storage rack illustrated in FIG. 1 with the measuring step resting in a useable position outside the rack.

FIG. 7 illustrates a bottom view of the hockey blade and stick storage rack illustrated in FIG. 1 with the measuring step resting in a useable position outside the rack.

FIG. 8 illustrates a perspective view of the hockey blade and stick storage rack illustrated in FIG. 1 with the measuring step stored in an upright and storable position outside the rack; and,

FIG. 9 illustrates a perspective view of the hockey blade and stick storage rack illustrated in FIG. 1 with the measuring step stored within the rack.

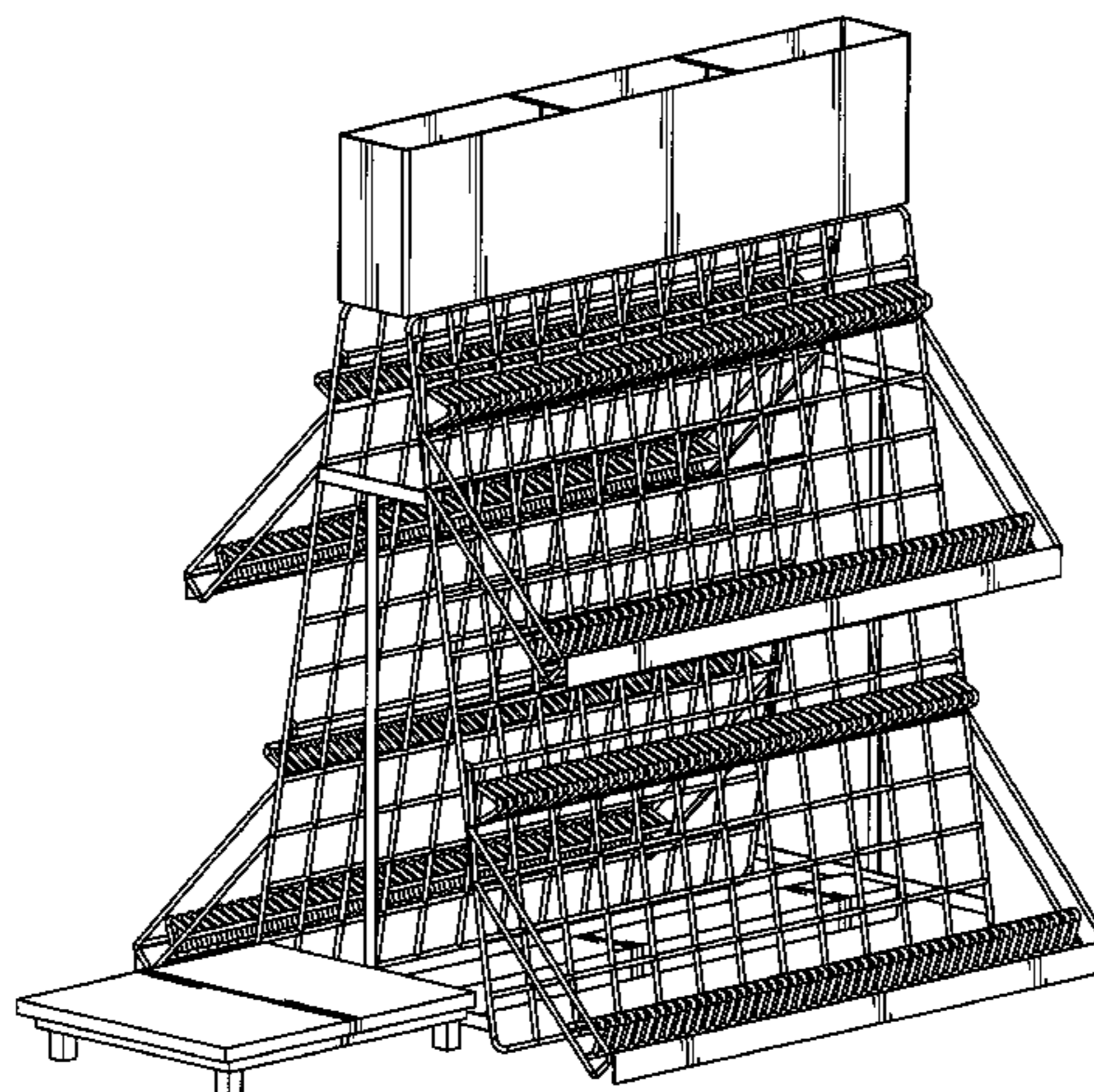
See application file for complete search history.

(56) **References Cited**

U.S. PATENT DOCUMENTS

D182,696 S * 4/1958 Strauss D3/315
D195,262 S * 5/1963 Crawford D6/467
4,188,890 A 2/1980 de Villers
D268,313 S 3/1983 Ryman
D273,067 S * 3/1984 Evans D6/462
D317,094 S * 5/1991 Weinberg et al. D6/463
5,014,859 A * 5/1991 Johnson 211/55
5,038,943 A * 8/1991 Reinke 211/59.1

1 Claim, 6 Drawing Sheets



US D541,078 S

Page 2

U.S. PATENT DOCUMENTS			
D369,036 S	*	4/1996 Wyatt et al.	D6/465
D385,127 S		10/1997 Affleck	
D404,226 S		1/1999 Hsiao et al.	
5,871,105 A		2/1999 Whitehead et al.	
D432,332 S	*	10/2000 Kashima	D6/463
D436,756 S	*	1/2001 Kashima	D6/463
6,170,674 B1	*	1/2001 Caterinacci	211/41.1
D451,704 S	*	12/2001 Curci	D6/463
6,547,085 B2		4/2003 Belisle	
6,591,994 B1		7/2003 Bearss	
D515,336 S	*	2/2006 Sparkowski	D6/464
2003/0178383 A1		9/2003 Craft et al.	
			* cited by examiner

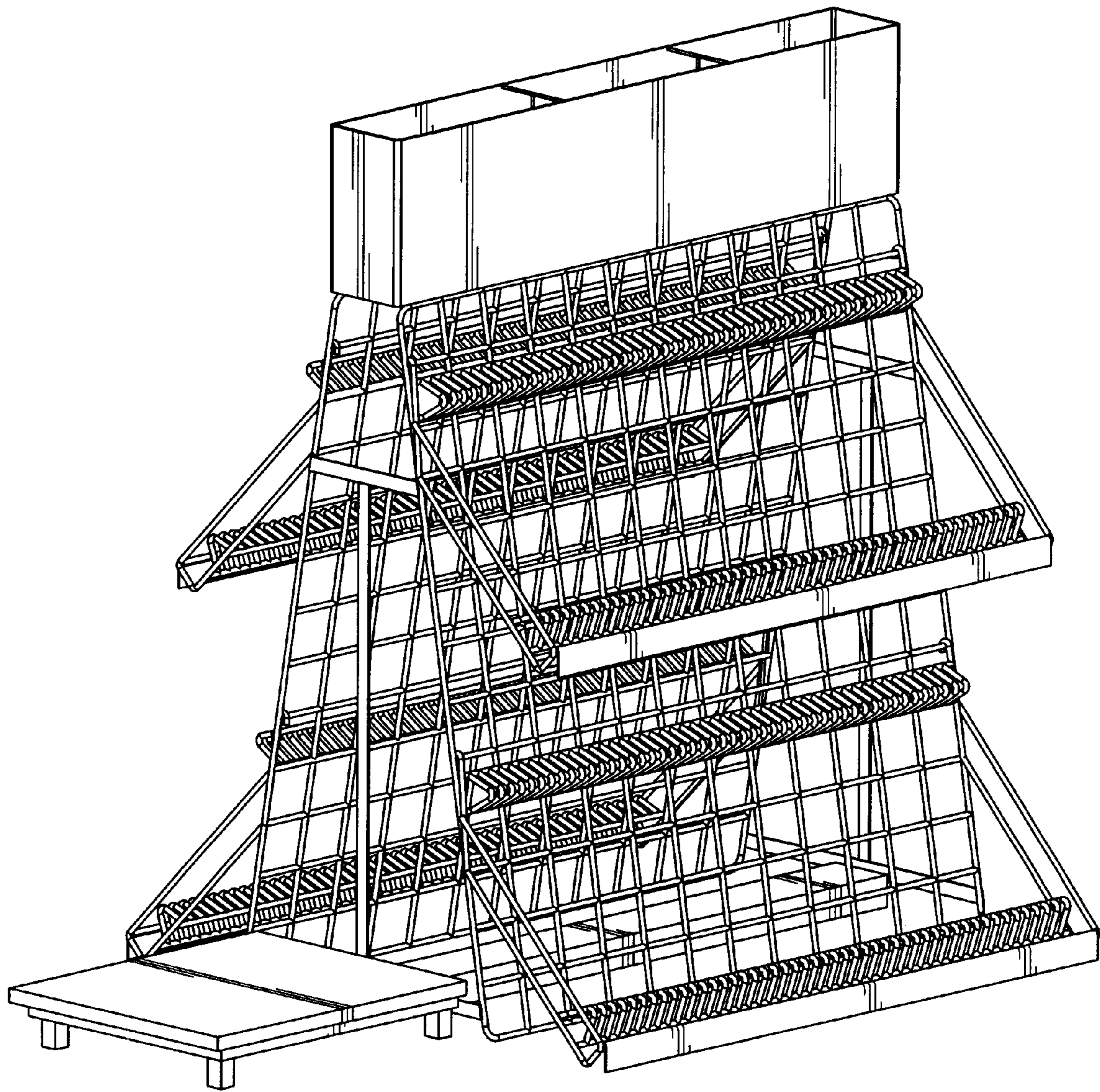


FIG - 1

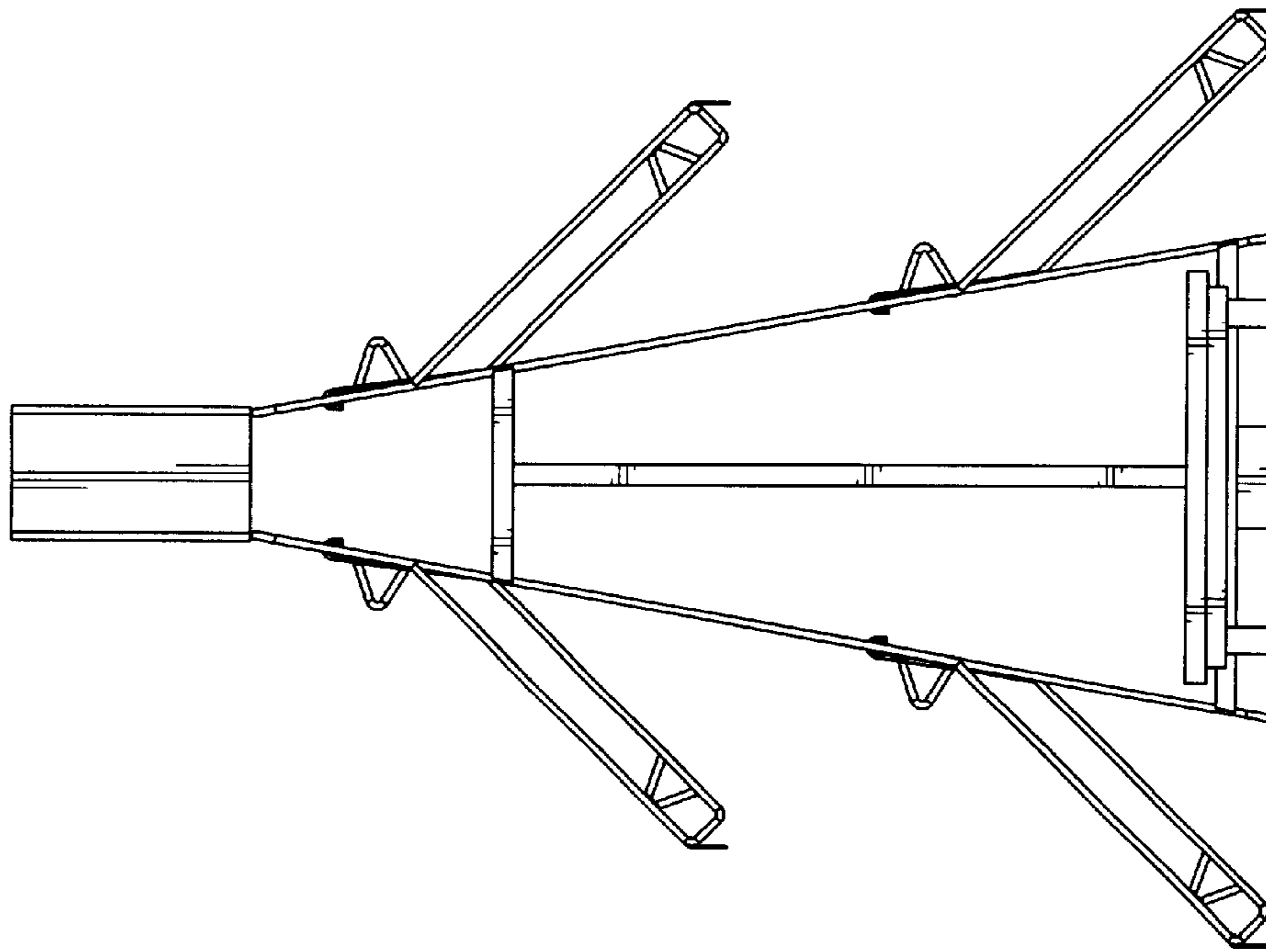


FIG - 3

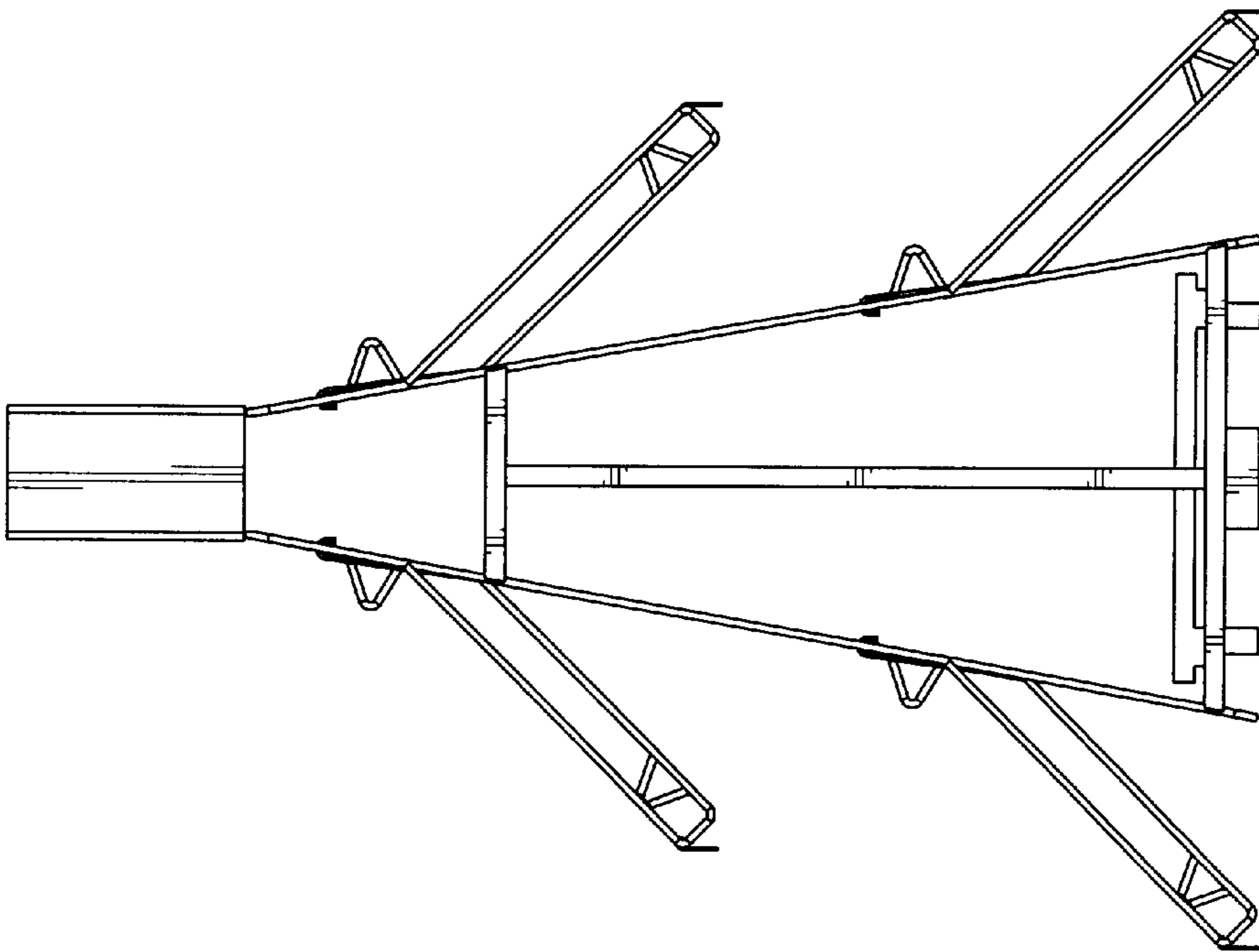


FIG - 2

FIG - 4

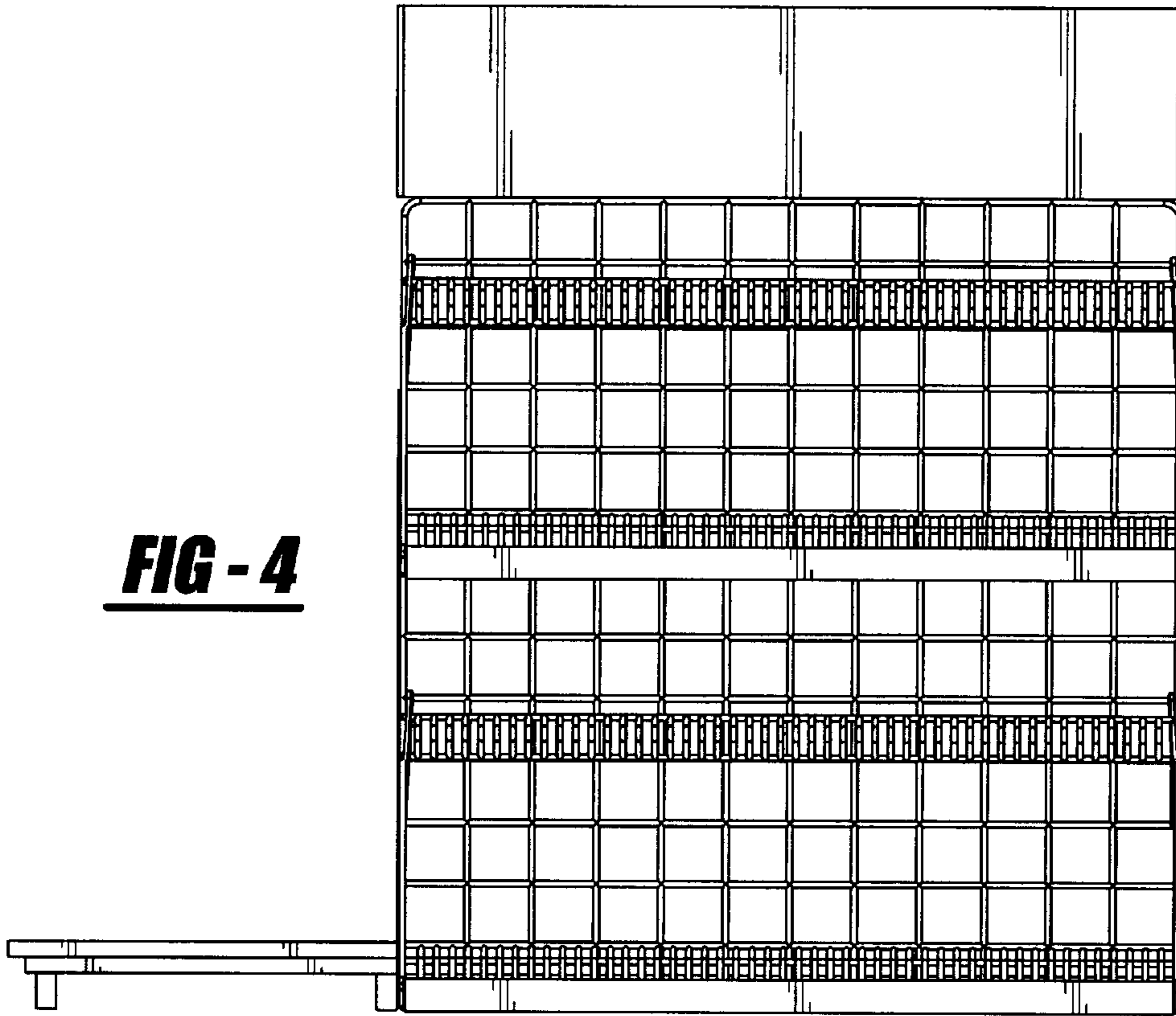
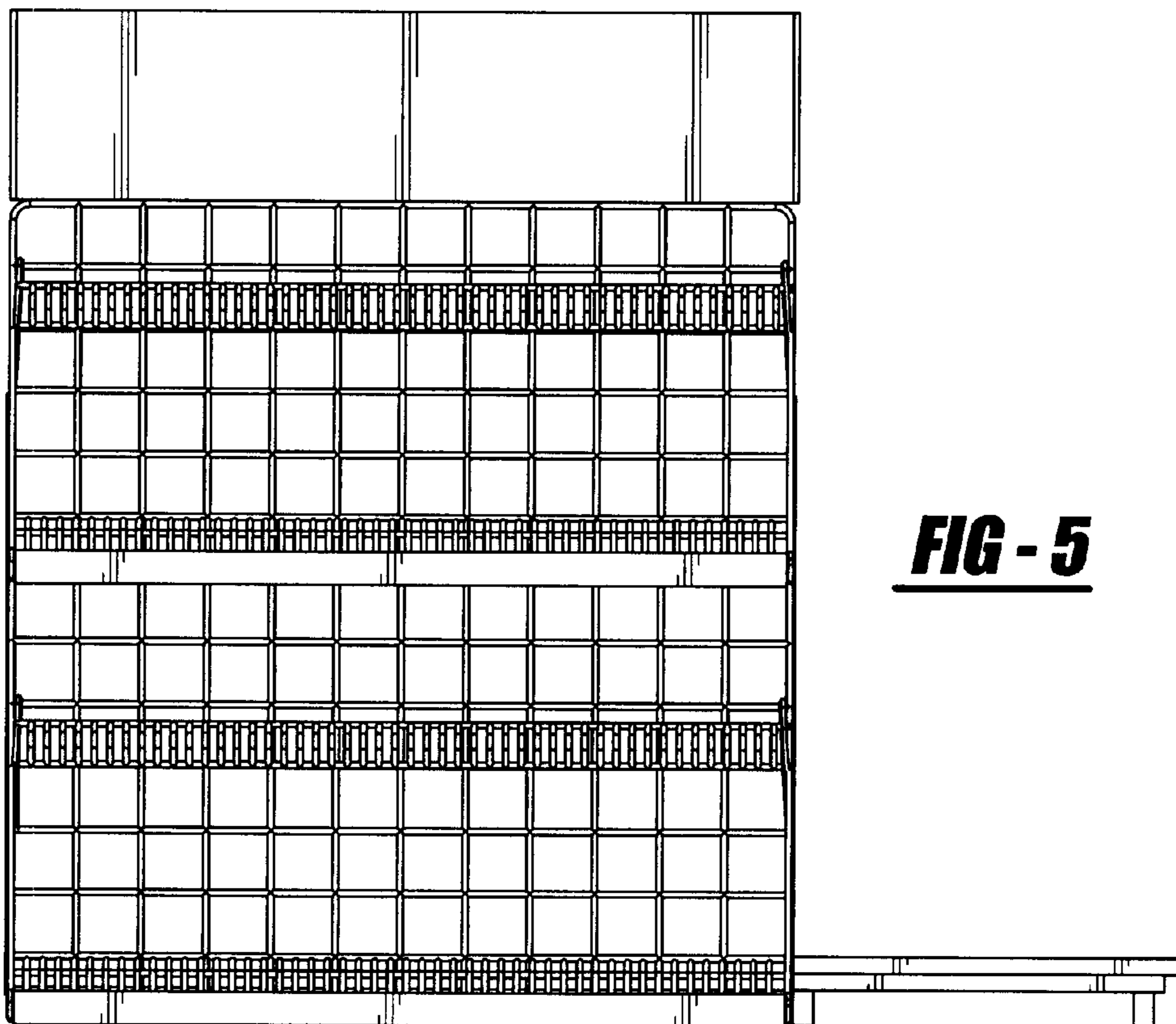


FIG - 5



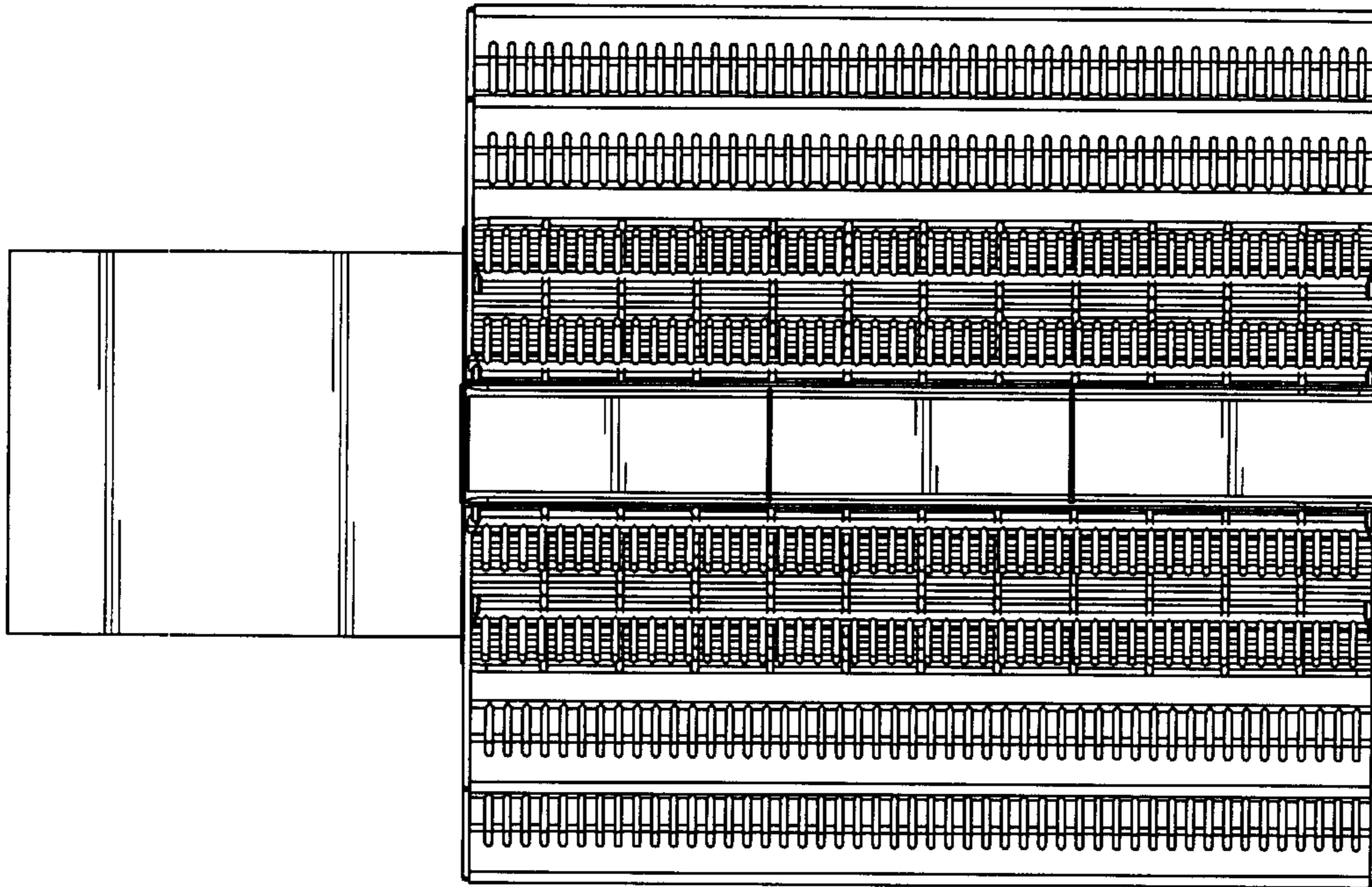


FIG - 6

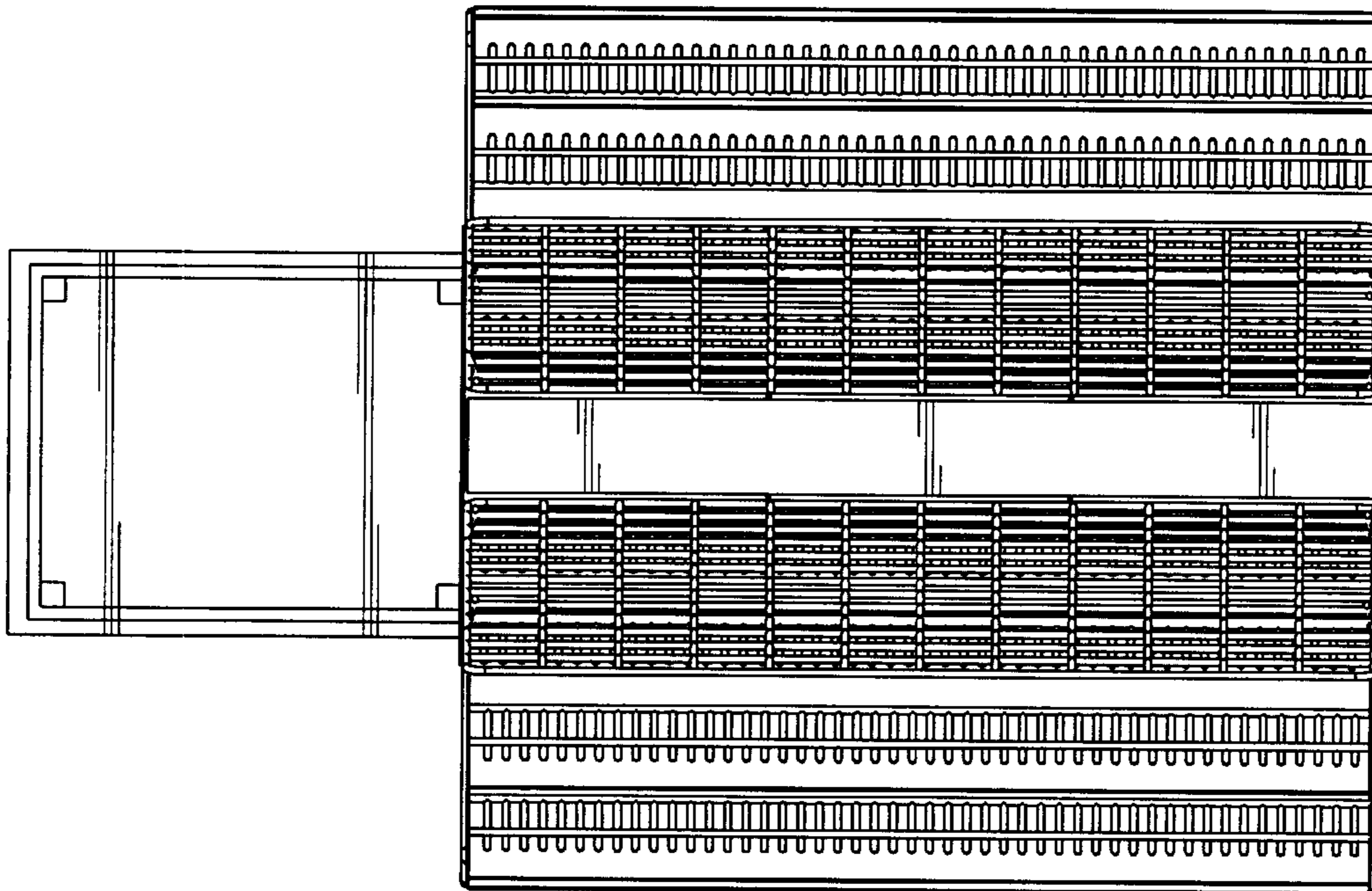


FIG - 7

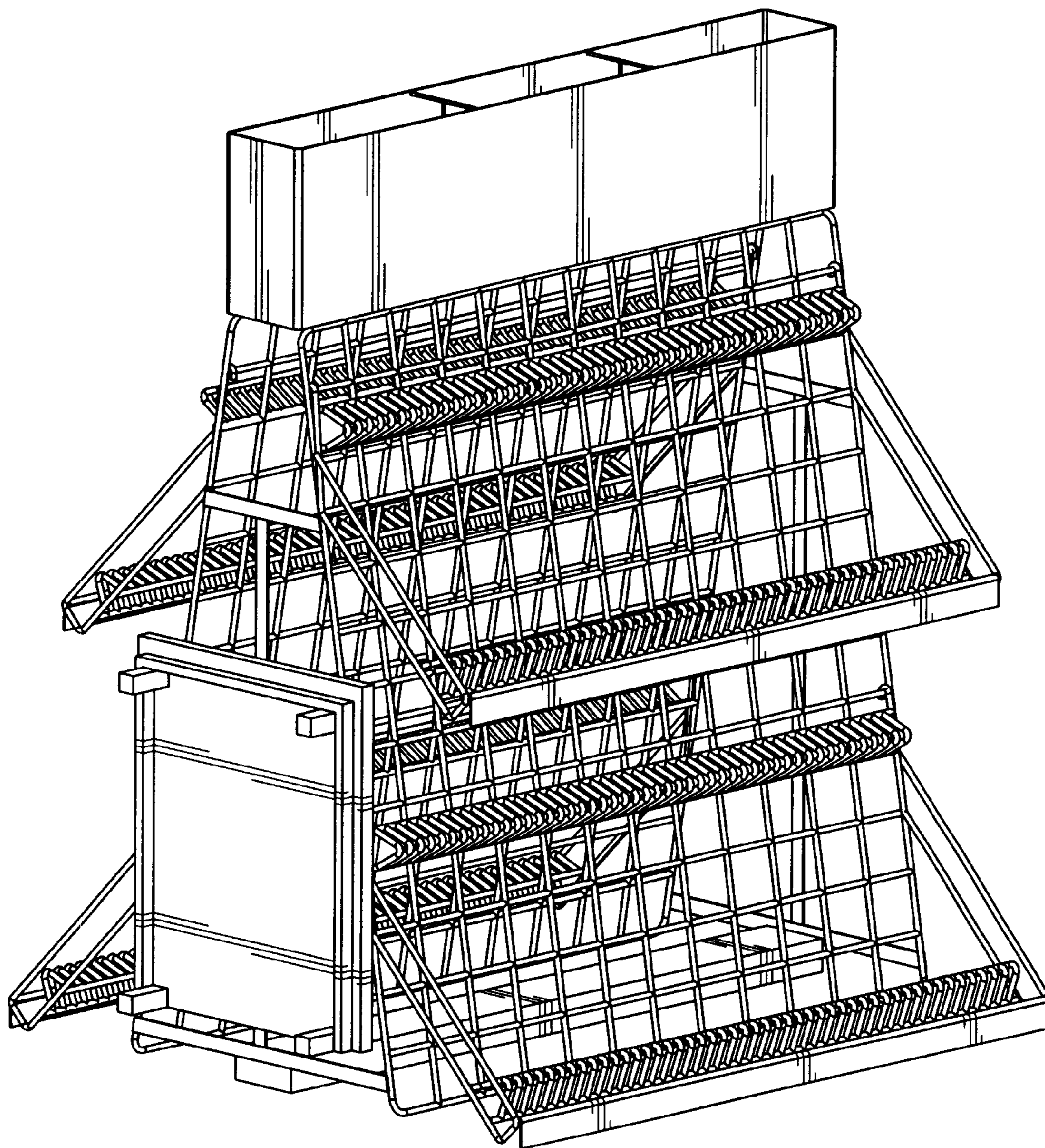


FIG - 8

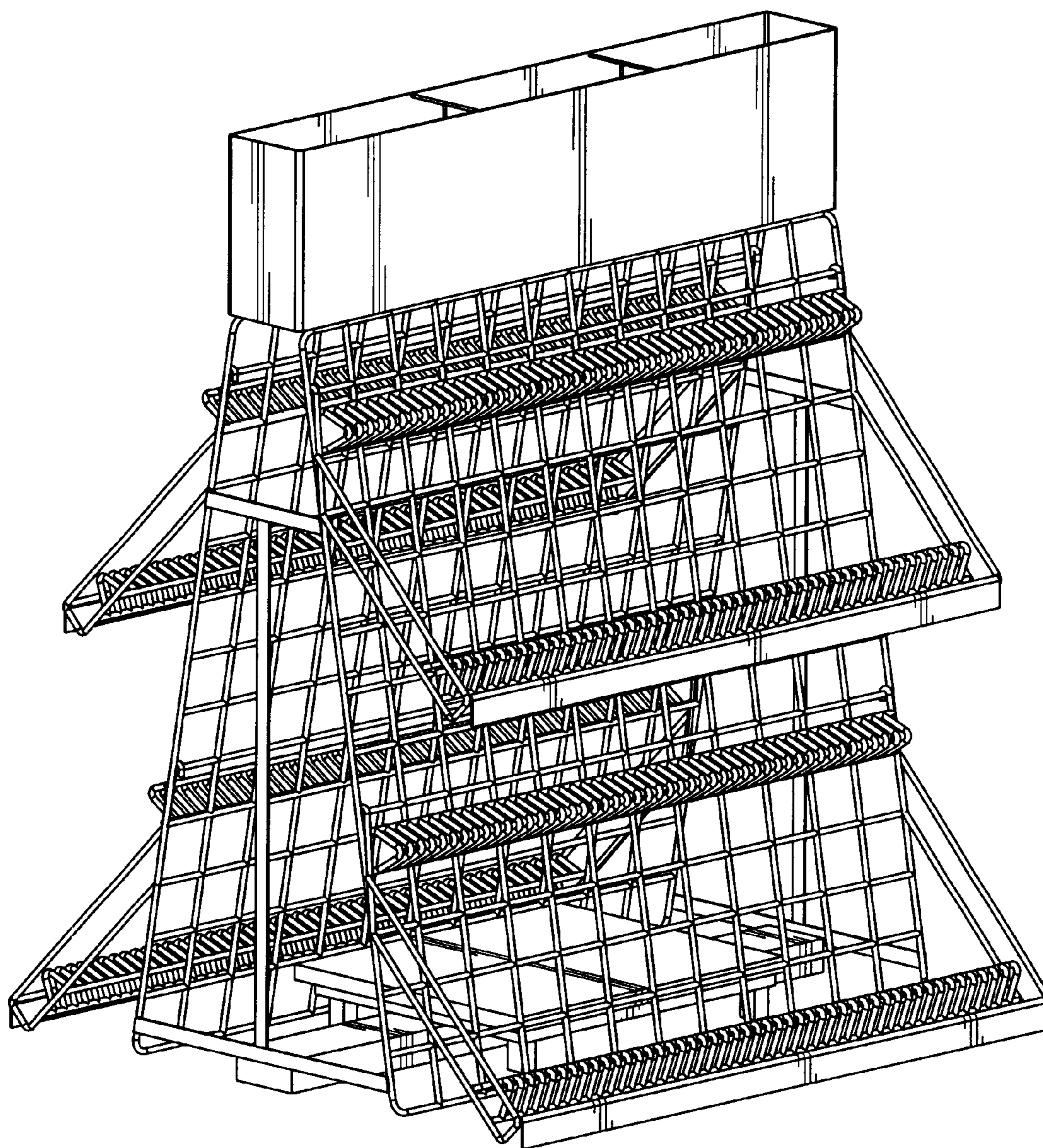


FIG - 9