



US00D541073S

(12) **United States Design Patent** (10) **Patent No.:** **US D541,073 S**  
**Natuzzi** (45) **Date of Patent:** **\*\* Apr. 24, 2007**

(54) **SOFA**

(75) Inventor: **Pasquale Natuzzi**, Santeramo in Colle  
Bari (IT)

(73) Assignee: **Natuzzi S.p.A.**, Bari (IT)

(\*\*) Term: **14 Years**

(21) Appl. No.: **29/235,472**

(22) Filed: **Aug. 2, 2005**

(51) **LOC (8) Cl.** ..... **06-01**

(52) **U.S. Cl.** ..... **D6/381**

(58) **Field of Classification Search** ..... D6/334,  
D6/335, 337, 357, 361, 364, 367, 371, 378,  
D6/381, 382, 383, 393, 500-503; 297/62-63,  
297/38, 118, 232-233, 244-245, 311, 445.1,  
297/446.1; 5/12.1, 28, 42

See application file for complete search history.

(56) **References Cited**

**U.S. PATENT DOCUMENTS**

D373,484 S	*	9/1996	Natuzzi et al.	.....	D6/381
D388,631 S	*	1/1998	Natuzzi et al.	.....	D6/381
D399,362 S	*	10/1998	Natuzzi et al.	.....	D6/381
D399,363 S	*	10/1998	Natuzzi et al.	.....	D6/381
D430,422 S	*	9/2000	Natuzzi et al.	.....	D6/381
D440,056 S	*	4/2001	Natuzzi et al.	.....	D6/334
D468,927 S	*	1/2003	Denton	.....	D6/381
D470,676 S	*	2/2003	Ricci	.....	D6/381
D474,910 S	*	5/2003	Ricci	.....	D6/381
D489,546 S	*	5/2004	Ricci	.....	D6/381
D490,999 S	*	6/2004	Ricci	.....	D6/381
D491,000 S	*	6/2004	Ricci	.....	D6/381
D493,629 S	*	8/2004	Ricci	.....	D6/381
D495,158 S	*	8/2004	Nastri	.....	D6/381
D495,159 S	*	8/2004	Ricci	.....	D6/381
D497,733 S	*	11/2004	Ricci	.....	D6/381
D498,076 S	*	11/2004	Ricci	.....	D6/381
D499,569 S	*	12/2004	Ricci	.....	D6/381
D504,032 S	*	4/2005	Ricci	.....	D6/381
D506,881 S	*	7/2005	Nastri	.....	D6/381

(Continued)

**OTHER PUBLICATIONS**

- Natuzzi sofa #1433, International Home Furnishings Market, High Point, NC, Mar. 1996, 2 pgs.\*
- Natuzzi sofa #1474, International Home Furnishings Market, High Point, NC, Oct. 1996, 2 pgs.\*
- Natuzzi sofa #1484, International Home Furnishings Market, High Point, NC, Oct. 1996, 2 pgs.\*
- Natuzzi sofa #1514, International Home Furnishings Market, High Point, NC, Oct. 1996, 2 pgs.\*
- Natuzzi sofa #1436, International Home Furnishings Market, High Point, NC, Mar. 1996, 2 pgs.\*
- Natuzzi sofa #1714, International Home Furnishings Market, High Point, NC, Sep. 1998, 1 pg.\*
- Natuzzi sofa #1870, International Home Furnishings Market, High Point, NC, Jul. 1999, 1 pg.\*
- Natuzzi sofa #1807, International Home Furnishings Market, High Point, NC, Mar. 1999, 1 pg.\*
- Natuzzi sofa #1828, International Home Furnishings Market, High Point, NC, Apr. 1999, 1 pg.\*
- Natuzzi sofa #1853, International Home Furnishings Market, High Point, NC, Jul. 1999, 1 pg. □□
- Natuzzi sofa #1723, International Home Furnishings Market, High Point, NC, Sep. 1998, 1 pg.\*

*Primary Examiner*—Sandra Snapp  
(74) *Attorney, Agent, or Firm*—Egbert Law Offices

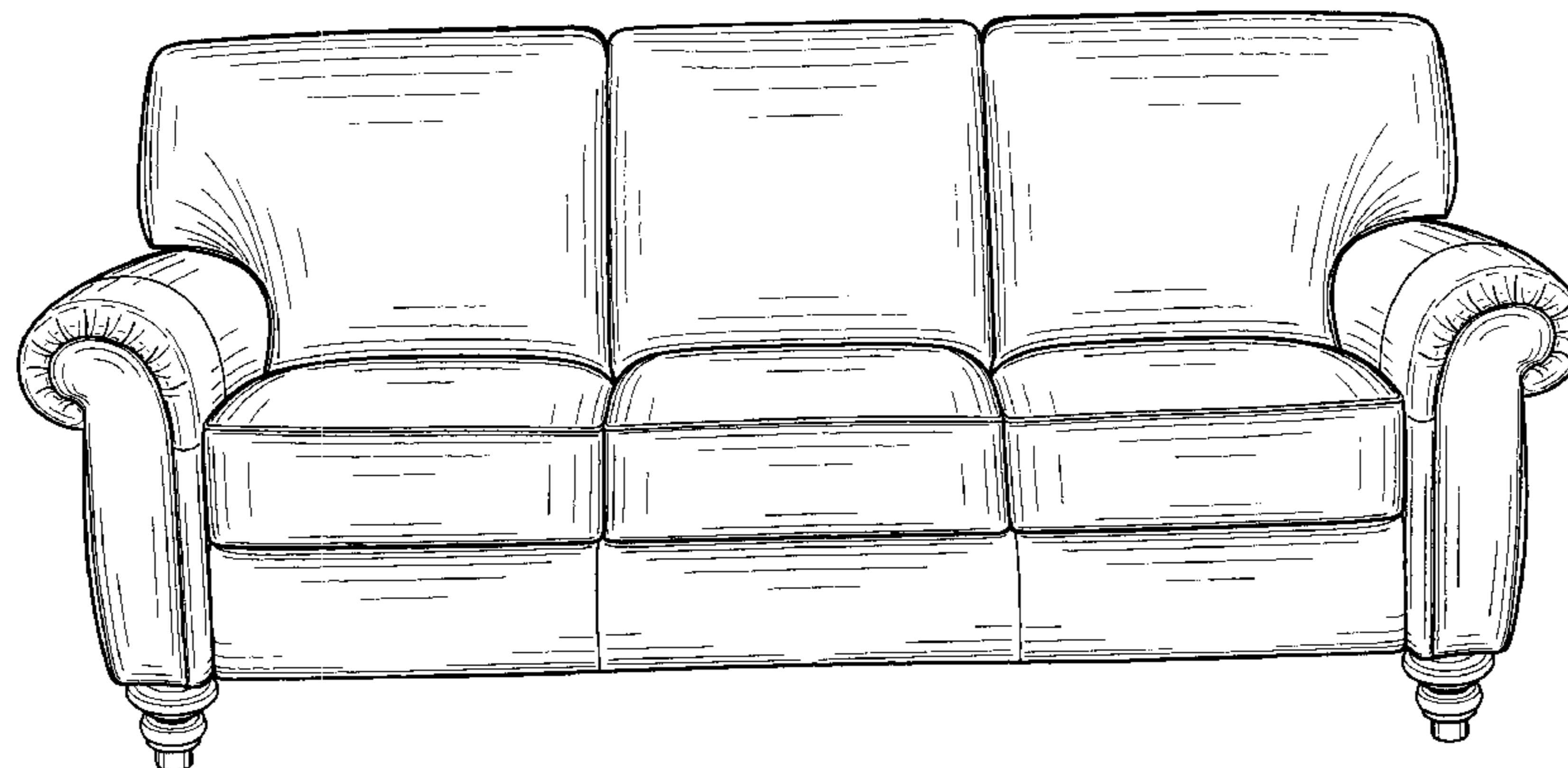
(57) **CLAIM**

I claim the ornamental design for a sofa, as shown and described.

**DESCRIPTION**

FIG. 1 is a front elevation view of the sofa showing my design.  
FIG. 2 is top plan view thereof;  
FIG. 3 is a back perspective view thereof; and,  
FIG. 4 is a side view thereof, an opposite side view being a mirror image thereof.  
The broken lines shown on the sofa are understood to represent stitching.

**1 Claim, 2 Drawing Sheets**



# US D541,073 S

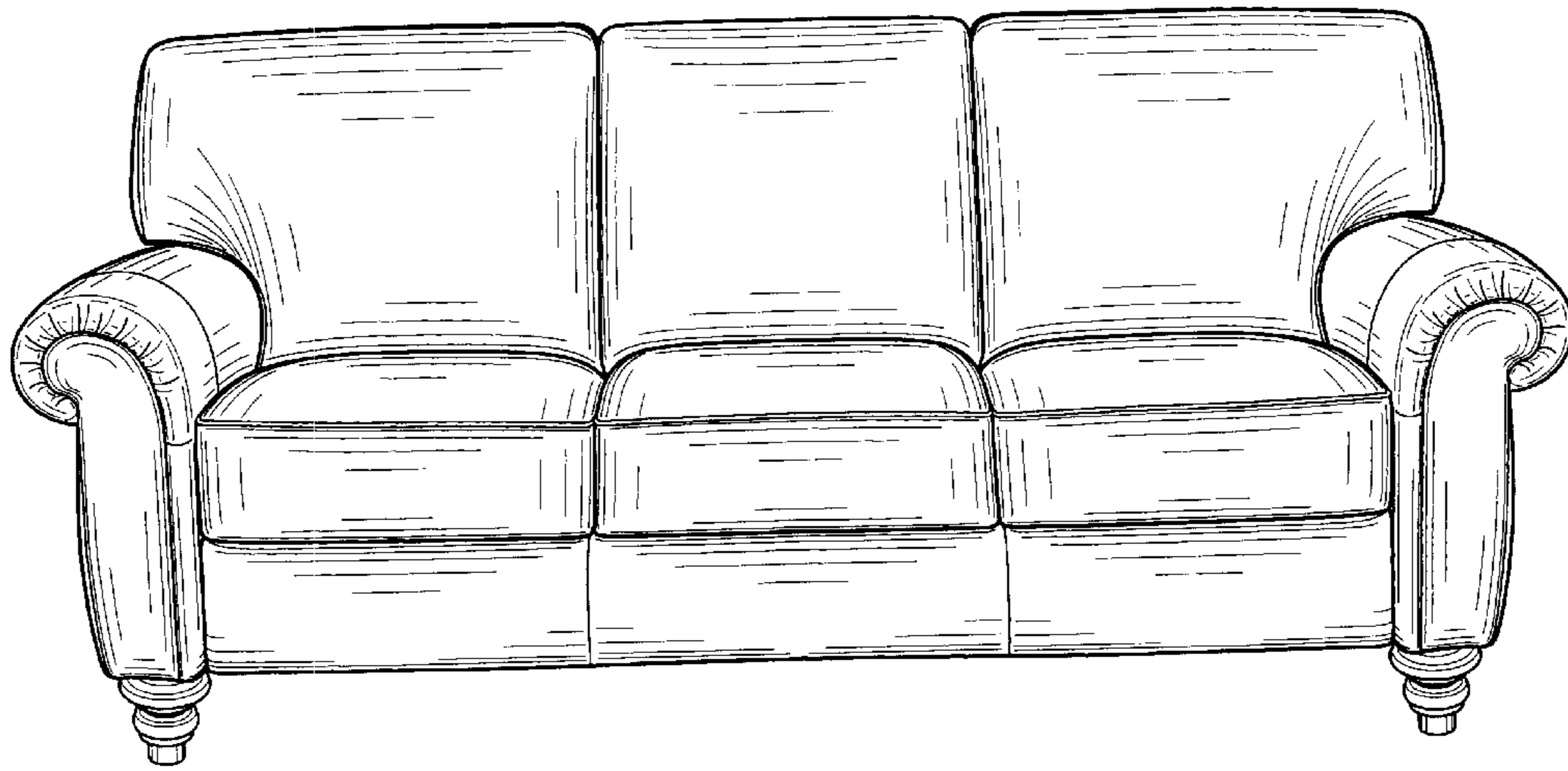
Page 2

---

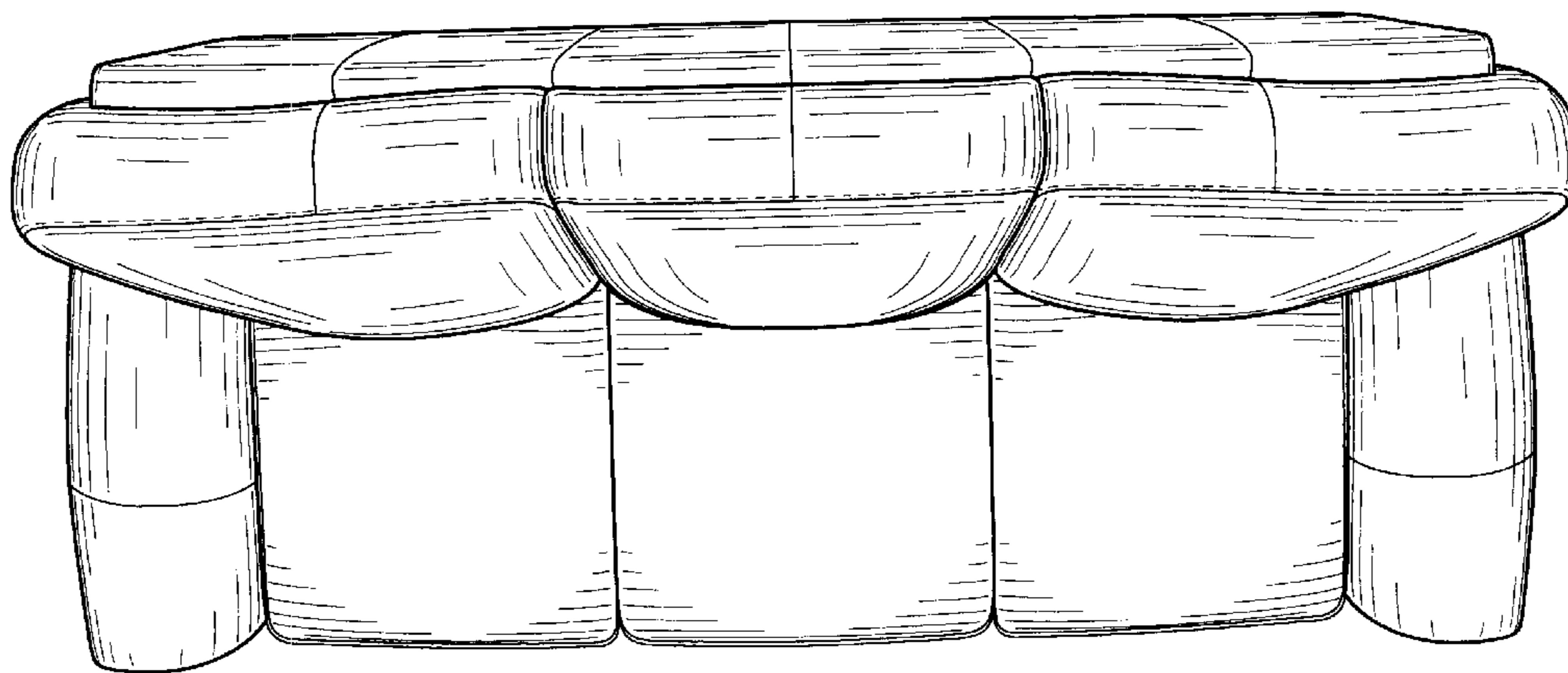
## U.S. PATENT DOCUMENTS

D509,674 S	*	9/2005	Ricci .....	D6/381	D520,773 S	*	5/2006	Natuzzi .....	D6/381
D510,818 S	*	10/2005	Nastri .....	D6/381	D521,270 S	*	5/2006	Natuzzi .....	D6/381
D514,347 S	*	2/2006	Natuzzi .....	D6/381	D527,197 S	*	8/2006	Natuzzi .....	D6/381
D520,772 S	*	5/2006	Natuzzi .....	D6/381					

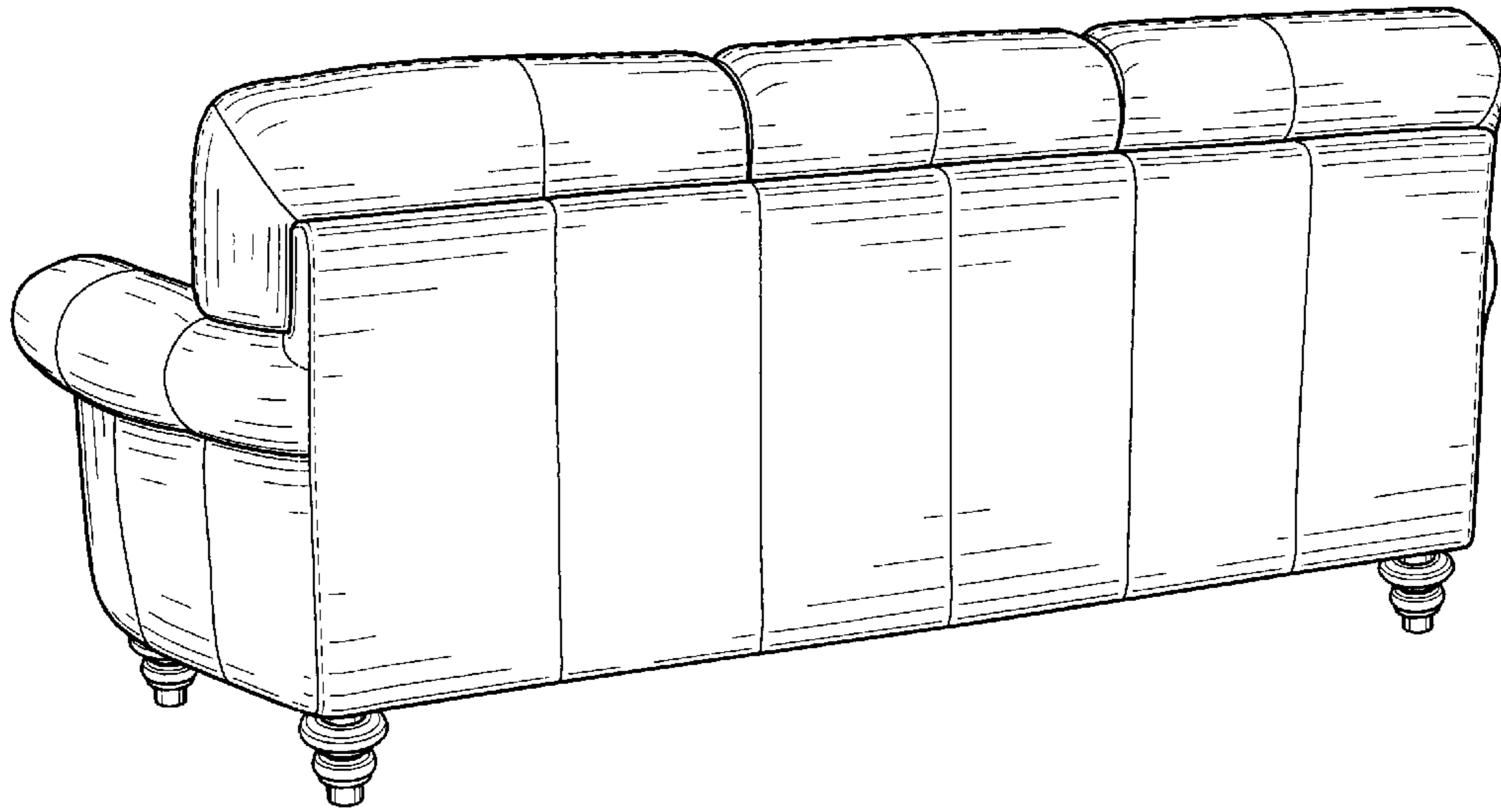
\* cited by examiner



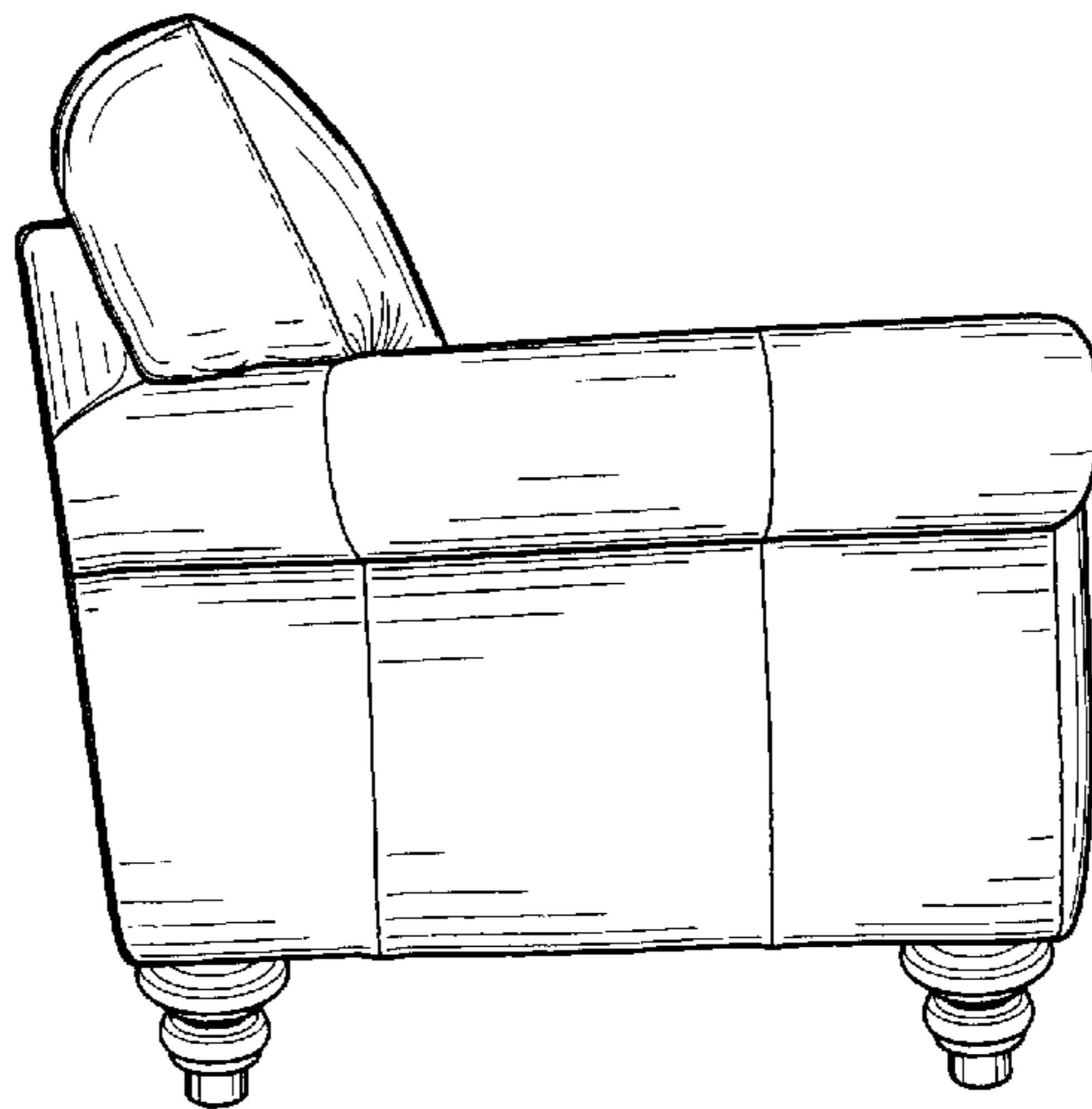
*FIG. 1*



*FIG. 2*



*FIG. 3*



*FIG. 4*