

US00D541071S

(12) **United States Design Patent**
Adair et al.

(10) **Patent No.:** **US D541,071 S**
(45) **Date of Patent:** **** Apr. 24, 2007**

(54) **SOFA**

(75) Inventors: **Lisa A. Adair**, New Albany, MS (US);
Christopher W. Burgett, Saultillo, MS
(US); **Christie D. Lamb**, Tupelo, MS
(US)

(73) Assignee: **Ashley Furniture Industries, Inc.**,
Chaska, MN (US)

(**) Term: **14 Years**

(21) Appl. No.: **29/225,670**

(22) Filed: **Mar. 18, 2005**

(51) **LOC (8) Cl.** **06-01**

(52) **U.S. Cl.** **D6/381**

(58) **Field of Classification Search** D6/334-335,
D6/337, 357, 364, 371, 377, 381, 500-502;
297/232, 233, 245, 248, 411.2, 411.42, 445.1,
297/446.1, 448.1; 5/12.1

See application file for complete search history.

(56) **References Cited**

U.S. PATENT DOCUMENTS

D327,588 S 7/1992 Harmon
D337,692 S 7/1993 Natuzzi et al.
D347,747 S * 6/1994 Hopfer D6/381

(Continued)

OTHER PUBLICATIONS

Natuzzi sofa #854, Apr. 1991, 2 pgs.*
Natuzzi sofa #1310, Apr. 1995, 2 pgs.*
Natuzzi sofa #1279, Mar. 1995, 2 pgs.*
Natuzzi sofa #1223, Oct. 1994, 2 pgs.*

Natuzzi sofa #1296, Mar. 1995, 2 pgs.*

Natuzzi sofa #1316, Apr. 1995, 2 pgs.*

Natuzzi sofa #R624, Apr. 1998, 1 pg.*

Natuzzi sofa #1668, Mar. 1998, 1 pg.*

Natuzzi sofa #450, Oct. 1988, 1 pg.*

Ashley Catalog Photograph, Durapella-Mocha, (2003), p.
242.

Ashley Catalog Photograph, Crescendo-Charcoal,
65509-38, (2003), p. 264.

Ashley Catalog Photograph, Kilim-Toffee,
56802-70-77-92-12, (2003), p. 232.

Ashley Catalog Photograph, Infinity-Navy, 51105-88,
(2003), p. 207.

Primary Examiner—Sandra Snapp

(74) *Attorney, Agent, or Firm*—Patterson, Thunte, Skaar &
Christensen, P.A.

(57) **CLAIM**

We claim the ornamental design for sofa, as shown and
described.

DESCRIPTION

FIG. 1 is a front elevational view of a sofa according to an
embodiment of the invention.

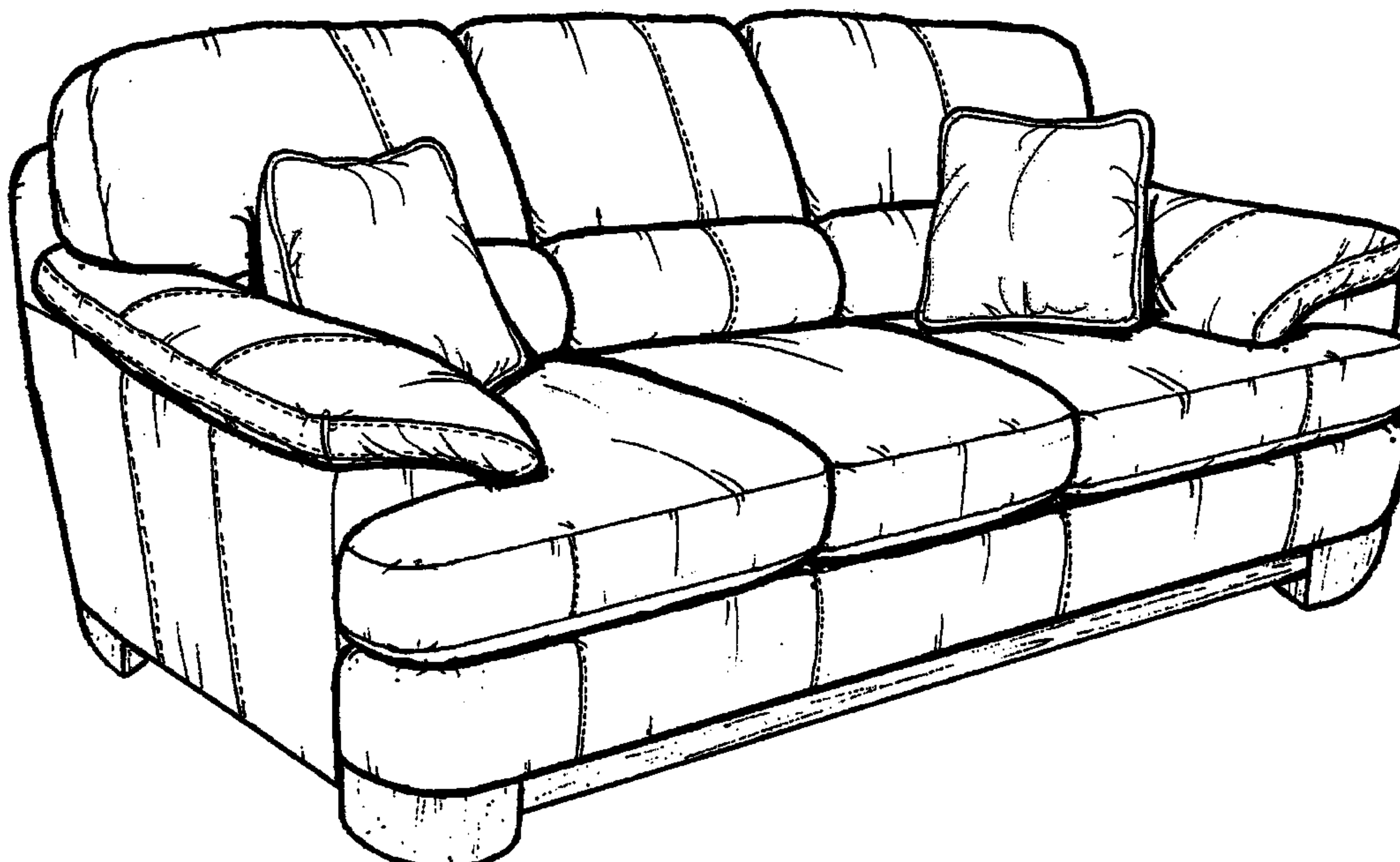
FIG. 2 is a rear elevational view of a sofa according to an
embodiment of the invention.

FIG. 3 is a side elevational view of a sofa according to an
embodiment of the invention, the other side being a mirror
image thereof.

FIG. 4 is a top plan view of a sofa according to an
embodiment of the invention; and,

FIG. 5 is a perspective view of a sofa according to an
embodiment of the invention.

1 Claim, 5 Drawing Sheets



US D541,071 S

Page 2

U.S. PATENT DOCUMENTS

| | | | |
|------------|-----------|----------------|--------------|
| D362,129 S | 9/1995 | Natuzzi et al. | |
| D364,975 S | 12/1995 | Natuzzi et al. | |
| D369,480 S | * 5/1996 | Natuzzi et al. | D6/381 |
| D369,694 S | * 5/1996 | Natuzzi et al. | D6/381 |
| D370,362 S | 6/1996 | Beall | |
| D380,103 S | * 6/1997 | Natuzzi et al. | D6/381 |
| D382,724 S | 8/1997 | Natuzzi et al. | |
| D383,326 S | 9/1997 | Hopfer | |
| D390,032 S | 2/1998 | Natuzzi et al. | |
| D390,373 S | 2/1998 | Natuzzi et al. | |
| D391,093 S | 2/1998 | Natuzzi et al. | |
| D394,359 S | 5/1998 | Natuzzi et al. | |
| D399,359 S | 10/1998 | Natuzzi et al. | |
| D407,573 S | 4/1999 | Natuzzi et al. | |
| D419,794 S | 2/2000 | Natuzzi et al. | |
| D425,721 S | * 5/2000 | Natuzzi et al. | D6/381 |
| D428,556 S | 7/2000 | Natuzzi et al. | |
| D429,079 S | 8/2000 | Natuzzi et al. | |
| D429,080 S | 8/2000 | Natuzzi et al. | |
| D430,978 S | * 9/2000 | Natuzzi et al. | D6/381 |
| D434,245 S | 11/2000 | Natuzzi et al. | |
| D439,433 S | 3/2001 | Natuzzi et al. | |
| D441,552 S | * 5/2001 | McCarthy | D6/334 |
| D445,587 S | 7/2001 | Natuzzi et al. | |
| D448,183 S | * 9/2001 | Brisson | D6/335 |
| D448,945 S | 10/2001 | Natuzzi et al. | |
| D467,752 S | 12/2002 | Nastri | |
| D470,325 S | * 2/2003 | Ricci | D6/381 |
| D474,914 S | 5/2003 | Ricci | |
| D474,915 S | 5/2003 | Ricci | |
| D475,214 S | 6/2003 | Ricci | |
| D482,889 S | 12/2003 | Natuzzi et al. | |
| D482,892 S | 12/2003 | Ricci | |
| D485,087 S | 1/2004 | Natuzzi et al. | |
| D485,088 S | 1/2004 | Ricci | |
| D486,006 S | 2/2004 | Ricci | |
| D487,643 S | 3/2004 | Natuzzi | |
| D487,996 S | 4/2004 | Natuzzi | |
| D489,195 S | 5/2004 | Natuzzi | |
| D489,545 S | 5/2004 | Nastri | |
| D490,998 S | 6/2004 | Adair et al. | |
| D493,297 S | 7/2004 | Ricci | |
| D493,628 S | 8/2004 | Ricci | |
| D495,513 S | 9/2004 | Nastri | |
| D498,942 S | * 11/2004 | Ricci | D6/381 |
| D499,262 S | * 12/2004 | Ricci | D6/381 |
| D502,018 S | * 2/2005 | Ricci | D6/381 |
| D503,859 S | * 4/2005 | Nastri | D6/381 |
| D512,847 S | * 12/2005 | Ricci | D6/381 |
| D513,135 S | * 12/2005 | Ricci | D6/381 |
| D525,451 S | * 7/2006 | Natuzzi | D6/381 |

* cited by examiner

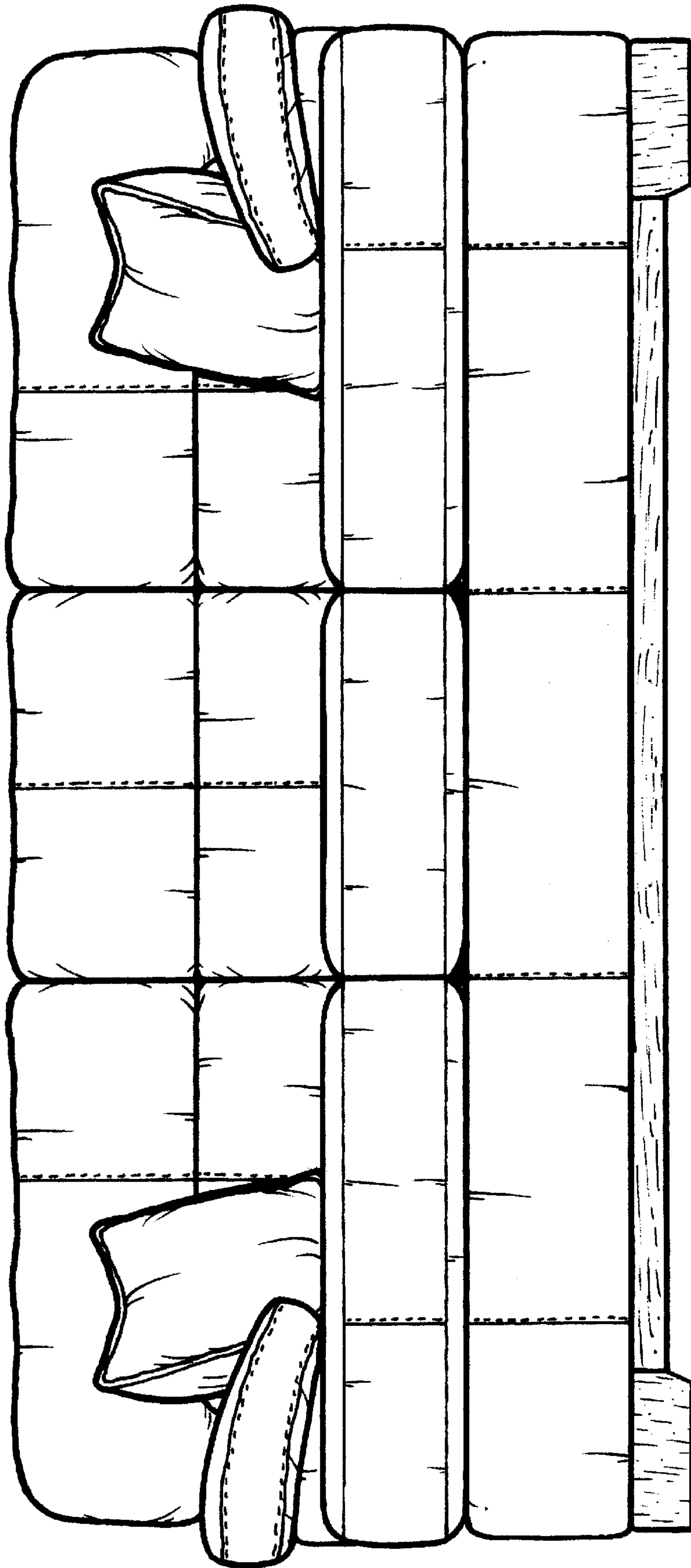


FIG. 1

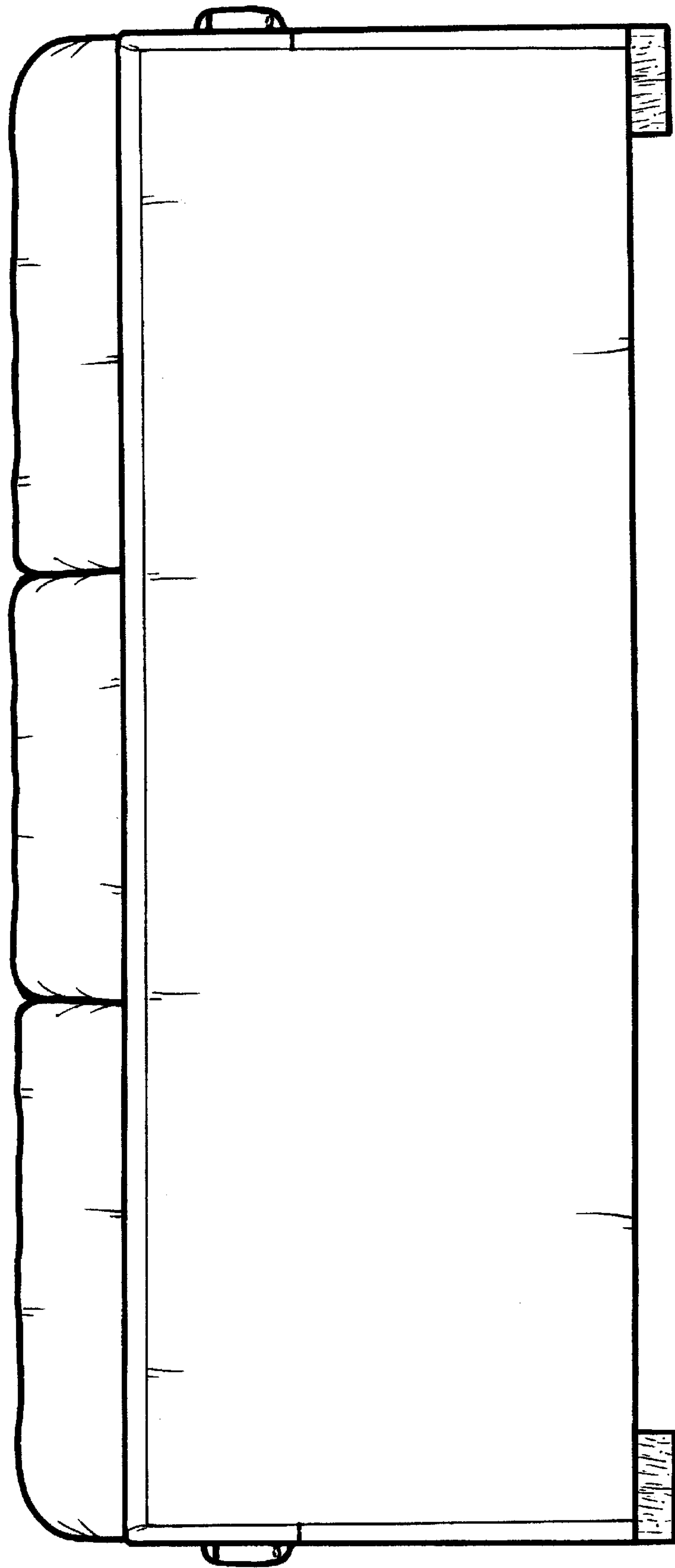


FIG. 2

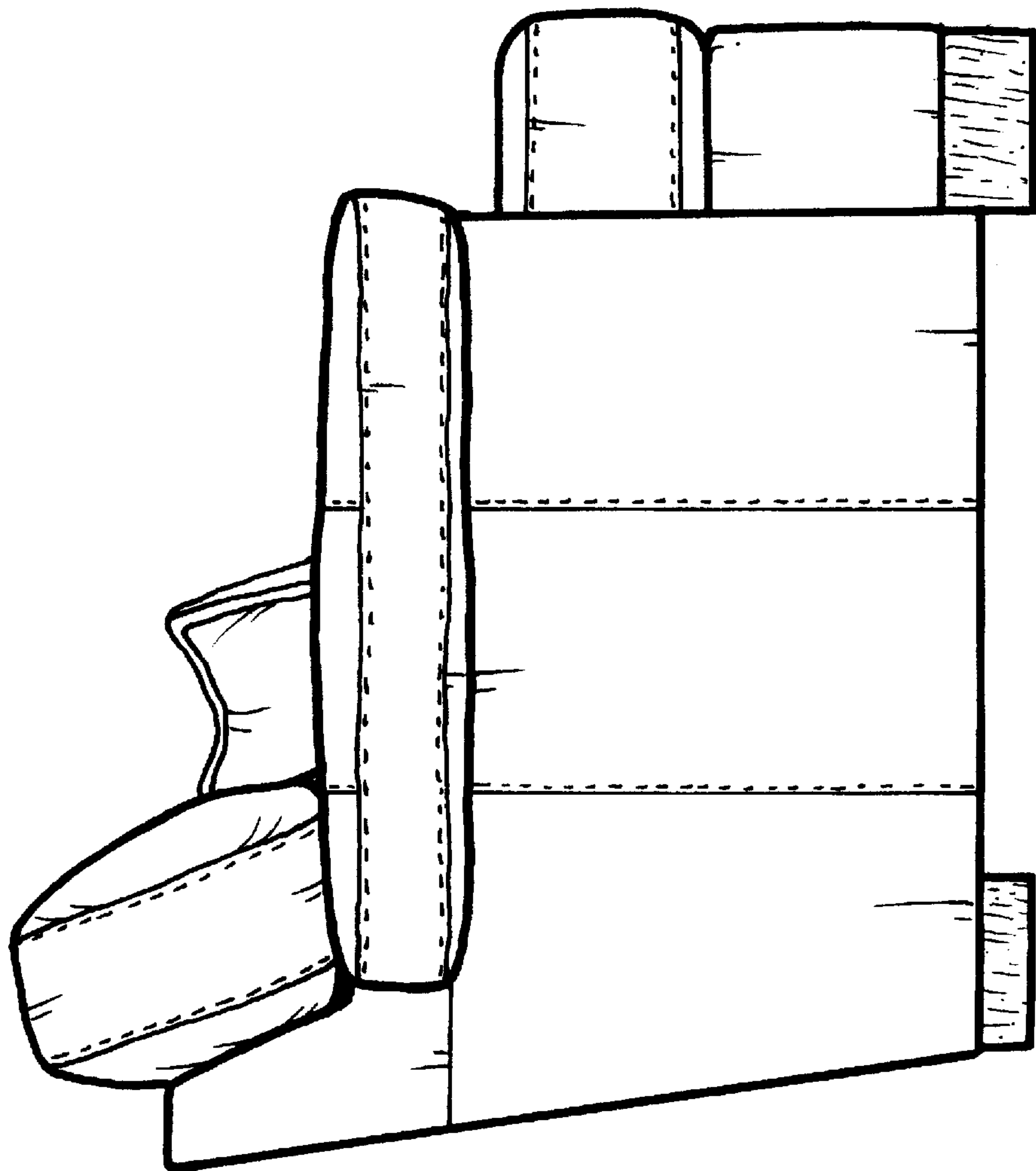


FIG. 3

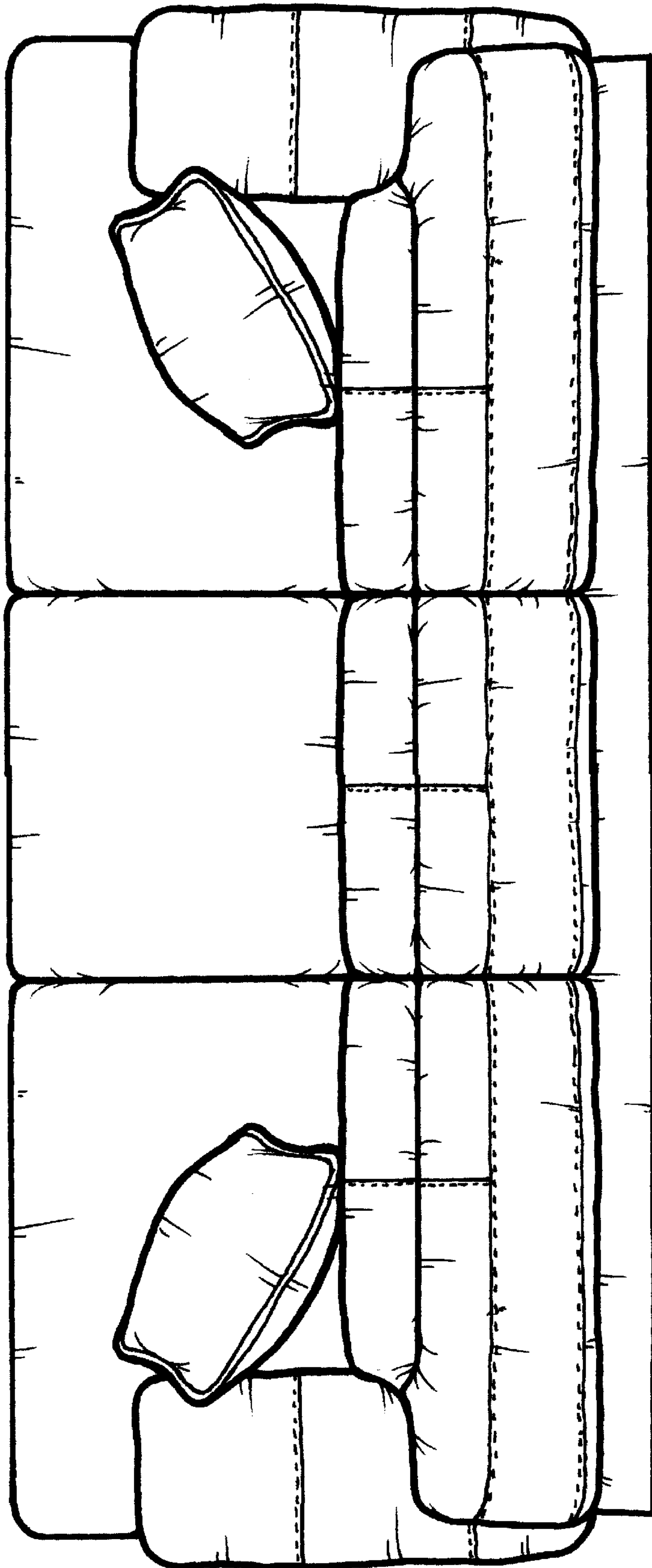


FIG. 4

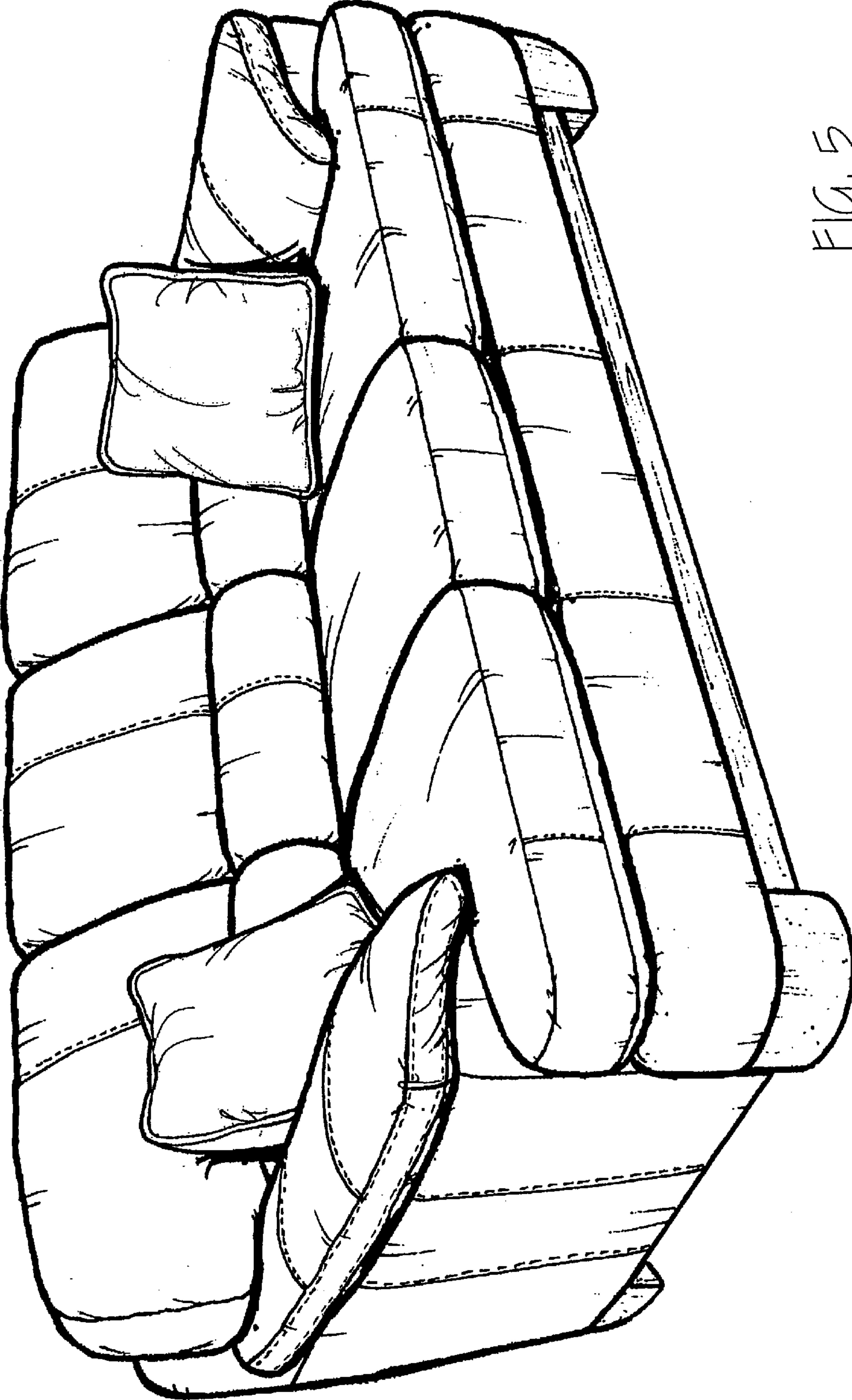


FIG. 5

UNITED STATES PATENT AND TRADEMARK OFFICE
CERTIFICATE OF CORRECTION

PATENT NO. : Des. 541,071 S
APPLICATION NO. : 29/225670
DATED : April 24, 2007
INVENTOR(S) : Lisa A. Adair et al.

Page 1 of 1

It is certified that error appears in the above-identified patent and that said Letters Patent is hereby corrected as shown below:

On the Title page of the page, under (73) Assignee:

Delete "Chaska, MN" and insert --Arcadia, WI--

Signed and Sealed this

Fourteenth Day of August, 2007

A handwritten signature in black ink on a dotted background. The signature reads "Jon W. Dudas" in a cursive style.

JON W. DUDAS

Director of the United States Patent and Trademark Office