



US00D541068S

(12) **United States Design Patent**
Foster

(10) **Patent No.:** **US D541,068 S**

(45) **Date of Patent:** **** Apr. 24, 2007**

(54) **CHAIR**

(75) Inventor: **Norman Foster**, London (GB)

(73) Assignee: **Emeco Industries, Inc.**, Hanover, PA (US)

(**) Term: **14 Years**

(21) Appl. No.: **29/242,929**

(22) Filed: **Nov. 16, 2005**

(51) **LOC (8) Cl.** **06-01**

(52) **U.S. Cl.** **D6/374; D6/380**

(58) **Field of Classification Search** D6/334-336,
D6/369, 370-373, 374, 376, 379, 380, 500-502;
297/239, 452.29, 445.1, 446.1
See application file for complete search history.

(56) **References Cited**

U.S. PATENT DOCUMENTS

D181,241 S	*	10/1957	Swanson	D6/374
D186,658 S	*	11/1959	Spilman	D6/374
D202,775 S	*	11/1965	Rowland	D6/373
D214,315 S	*	6/1969	Bartholomew	D6/374
D214,834 S	*	8/1969	Moore et al.	D6/374

D219,032 S	*	10/1970	Christenson, Jr.	D6/374
D238,990 S	*	3/1976	Galvez	D6/374
D332,707 S	*	1/1993	Muller	D6/373
D426,970 S	*	6/2000	Kolberg	D6/374
D481,550 S	*	11/2003	Astle	D6/374
D516,830 S	*	3/2006	Leist et al.	D6/373

* cited by examiner

Primary Examiner—Mimosa De

(74) *Attorney, Agent, or Firm*—Heslin Rothenberg Farley & Mesiti P.C.

(57) **CLAIM**

The ornamental design for a chair, as shown and described.

DESCRIPTION

FIG. 1 is a perspective view of a chair in accordance with the new design;

FIG. 2 is a top view thereof;

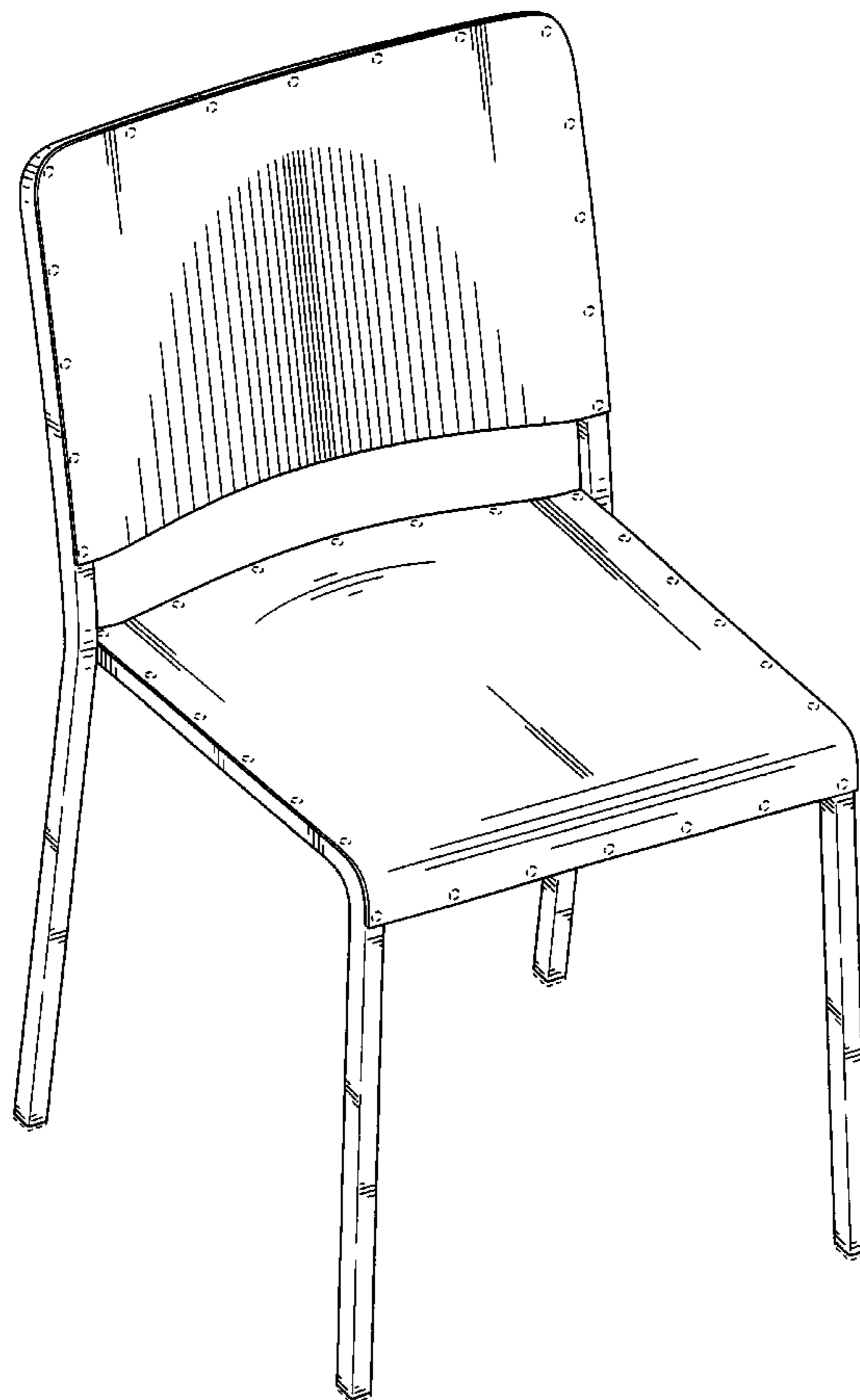
FIG. 3 is a front elevational view thereof;

FIG. 4 is a left side elevational view thereof, a right side elevational view being a mirror image thereof; and,

FIG. 5 is a rear elevation view thereof.

The broken lines in the figures are for illustration purposes only and form no part of the claimed invention.

1 Claim, 5 Drawing Sheets



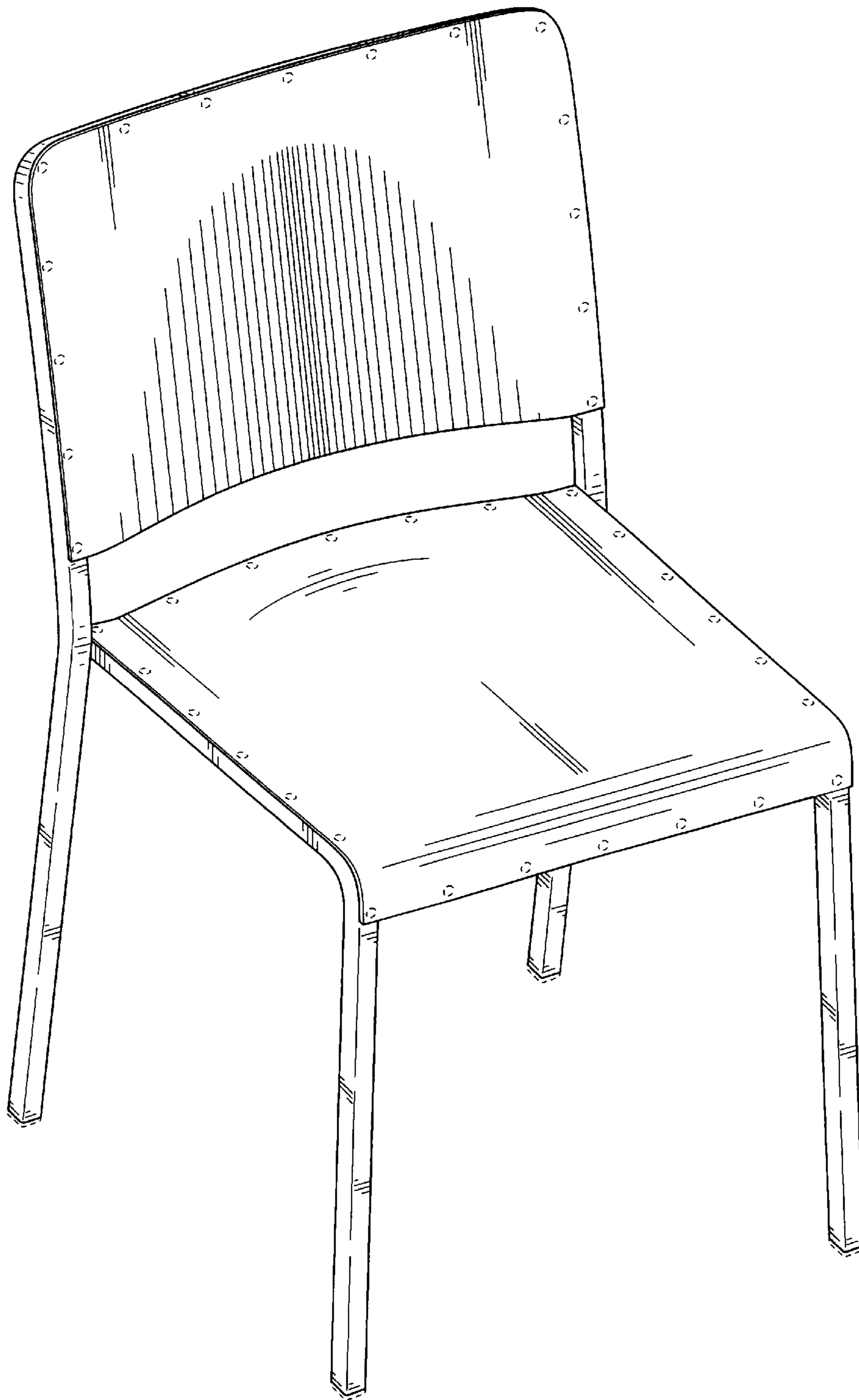


FIG. 1

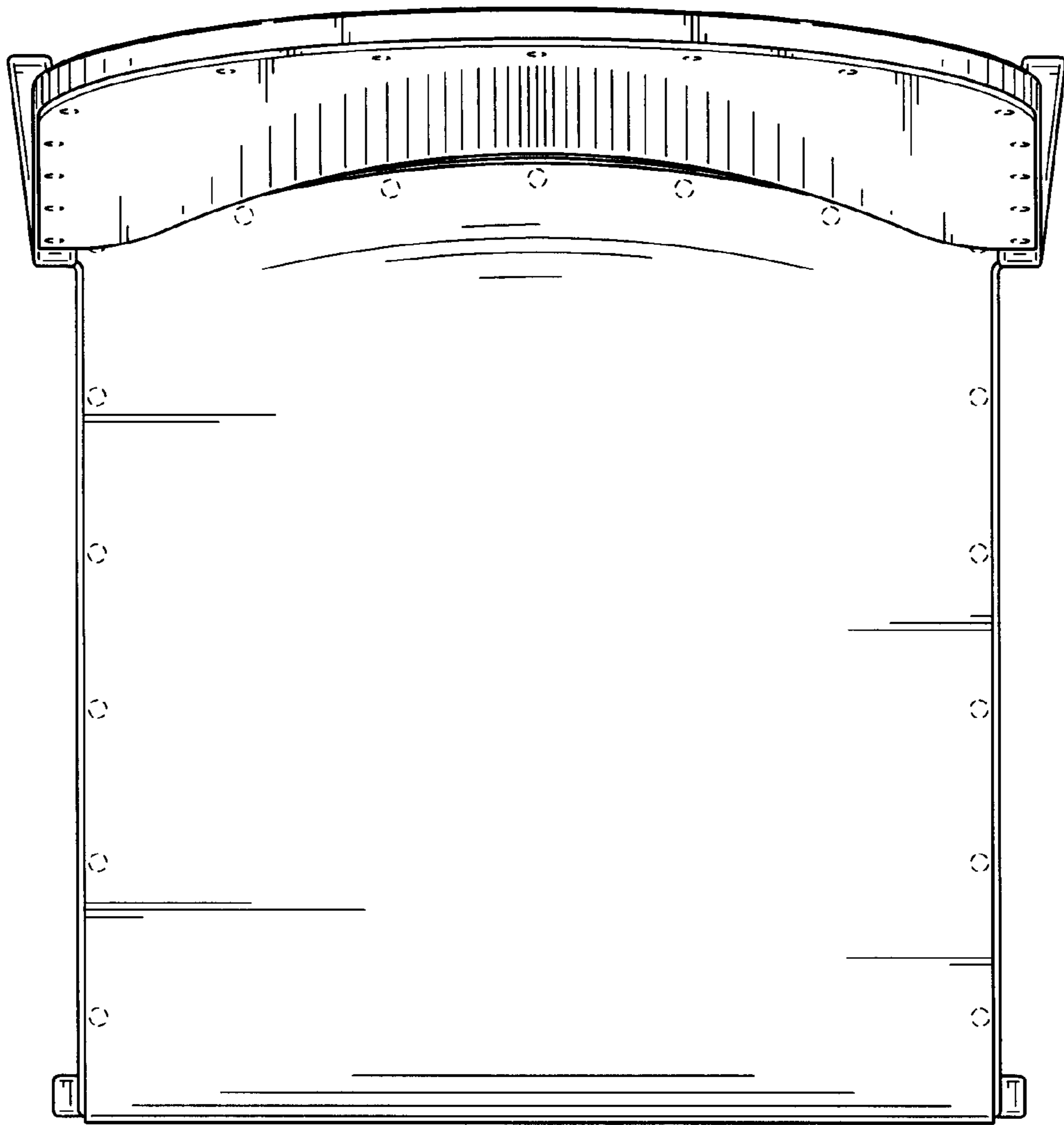


FIG. 2

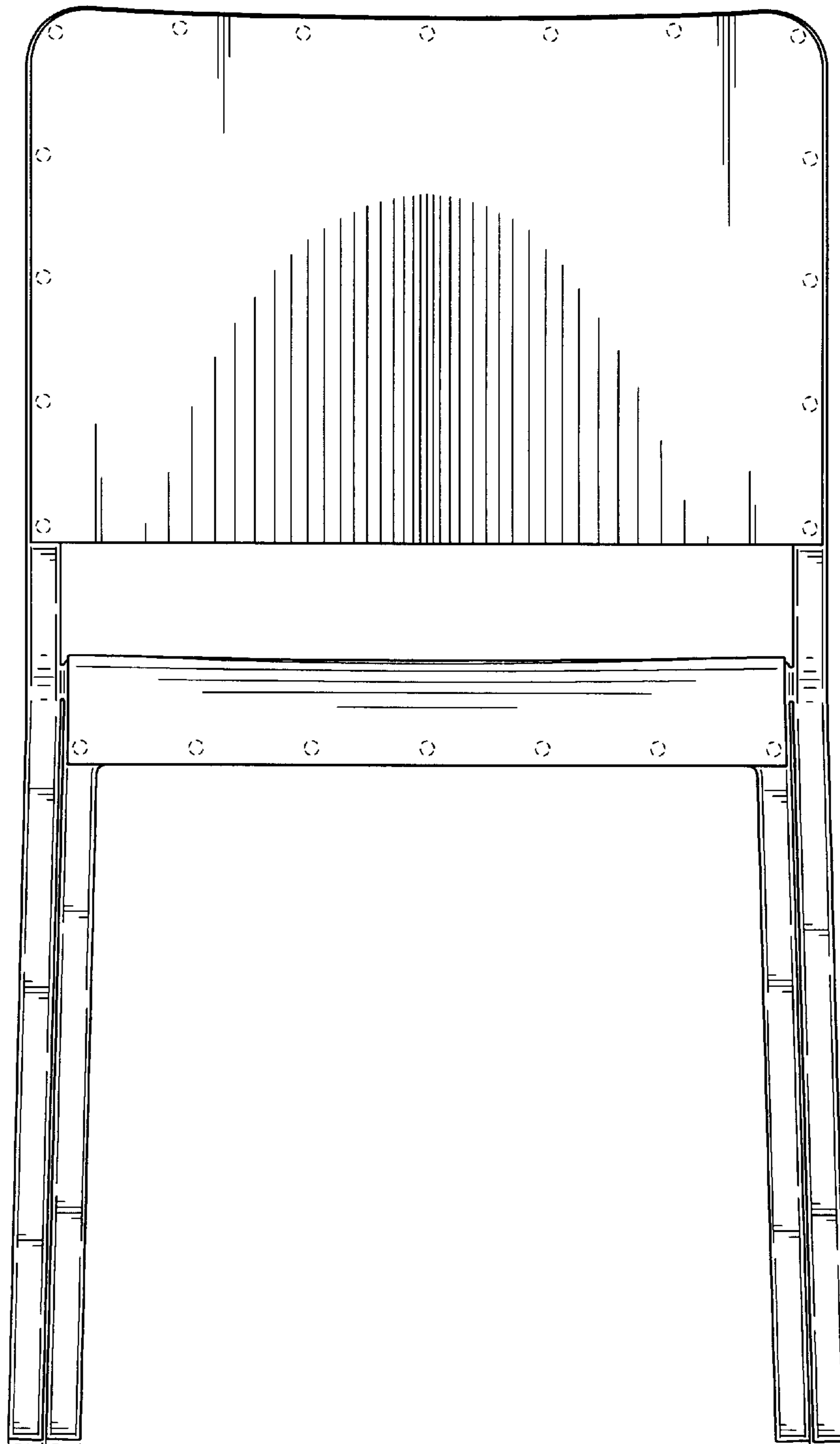


FIG. 3

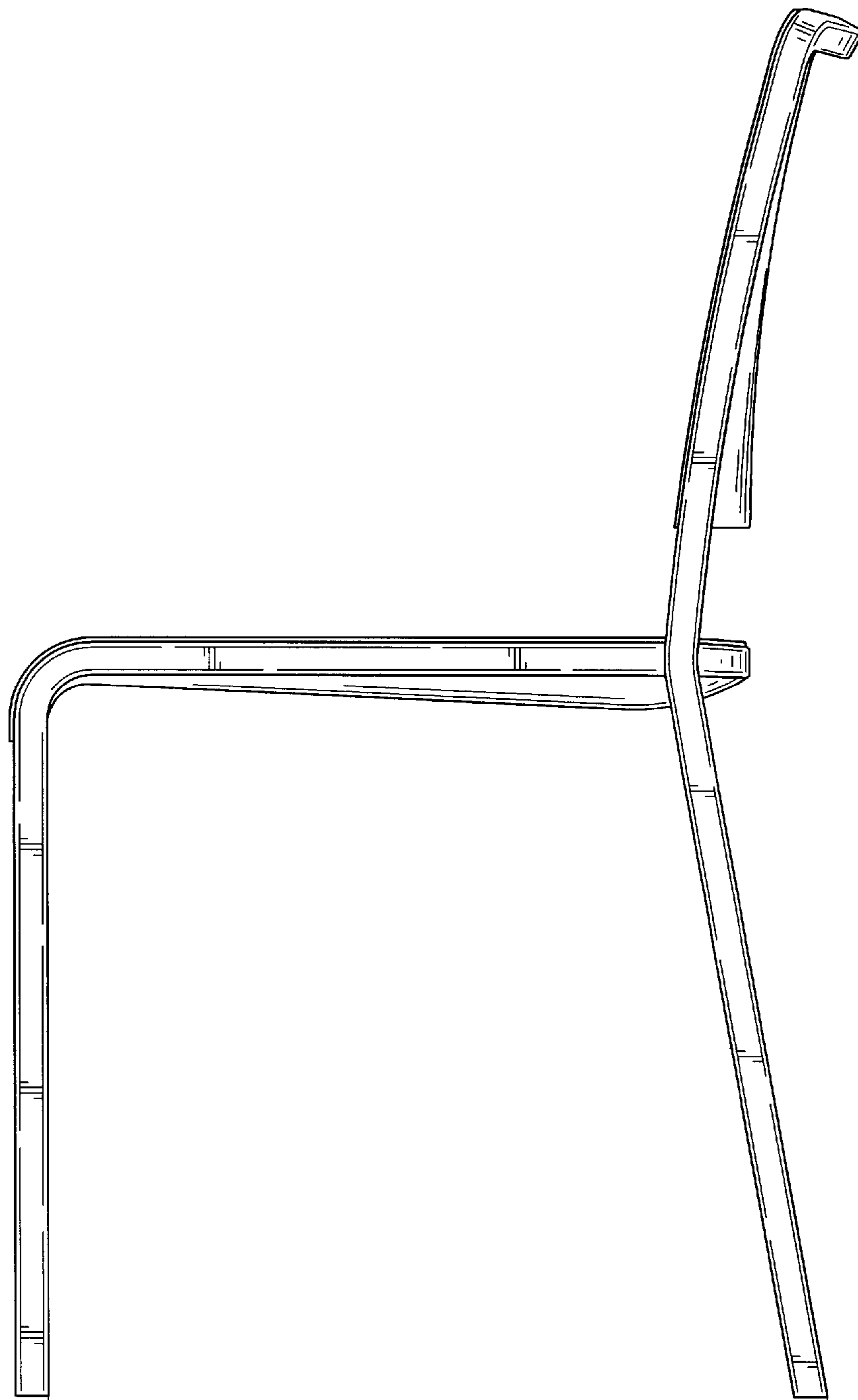


FIG. 4

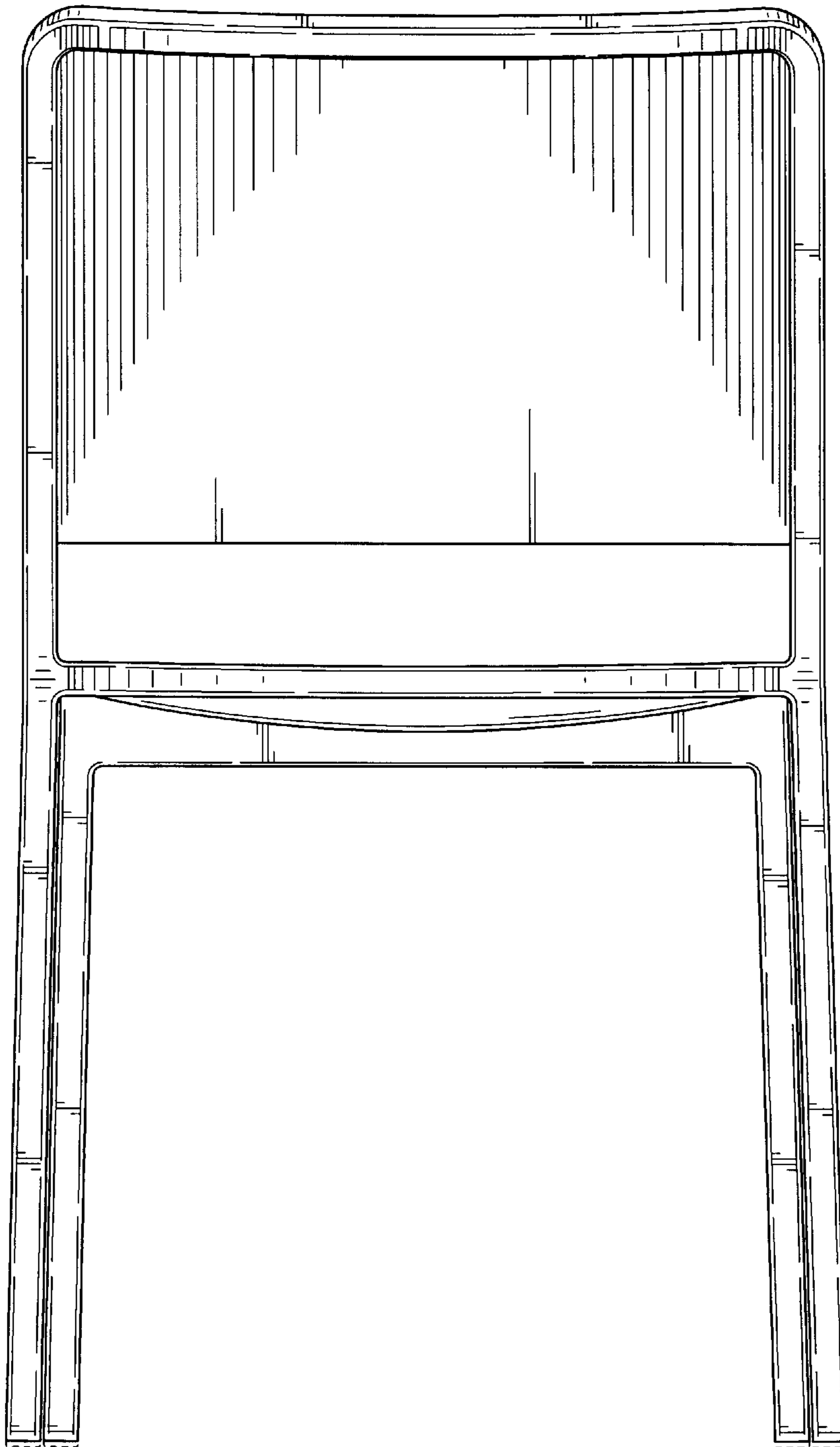


FIG. 5