

US00D541064S

(12) **United States Design Patent**
Miller et al.

(10) **Patent No.:** **US D541,064 S**
(45) **Date of Patent:** **** Apr. 24, 2007**

(54) **RECLINING LOUNGE CHAIR**

(75) Inventors: **Jay Miller**, Boca Raton, FL (US); **Rick D. Leonard**, Cocoa, FL (US)

(73) Assignee: **Acoustic Innovations, Inc.**, Boca Raton, FL (US)

(**) Term: **14 Years**

(21) Appl. No.: **29/237,938**

(22) Filed: **Sep. 8, 2005**

(51) **LOC (8) Cl.** **06-01**

(52) **U.S. Cl.** **D6/367**

(58) **Field of Classification Search** D6/334-336,
D6/360, 361, 367, 371, 373, 381, 492, 500-502;
297/68, 85, 232, 354.1, 423.1, DIG. 7
See application file for complete search history.

(56) **References Cited**

U.S. PATENT DOCUMENTS

D166,815 S * 5/1952 Maurer D6/360
D173,625 S * 12/1954 Maurer D6/360

(Continued)

Primary Examiner—Mimosa De

(74) *Attorney, Agent, or Firm*—Robert C. Kain, Jr.; Fleit Kain

(57) **CLAIM**

We claim the ornamental design of the reclining lounge chair, as shown and described.

DESCRIPTION

FIG. 1 is a front perspective view of the reclining lounge chair in a full upright position;

FIG. 2 is a rear perspective view of the reclining lounge chair in the full upright position shown in FIG. 1.

FIG. 3 is a left side view of the reclining lounge chair in the full upright position shown in FIG. 1 (the right side view being a mirror image of the left side view).

FIG. 4 is front side view of the reclining lounge chair in the full upright position shown in FIG. 1.

FIG. 5 is a top view of the reclining lounge chair in the full upright position shown in FIG. 1 (the bottom view not forming part of the design of the lounge chair).

FIG. 6 is a rear side view of the reclining lounge chair in the full upright position shown in FIG. 1.

FIG. 7 is a front perspective view of the reclining lounge chair in a fully reclined position;

FIG. 8 is a left side view of the reclining lounge chair in the fully reclined position shown in FIG. 7 (the right side view being a mirror image of the left side view).

FIG. 9 is front side view of the reclining lounge chair in the fully reclined position shown in FIG. 7.

FIG. 10 is a top view of the reclining lounge chair in the fully reclined position shown in FIG. 7 (the bottom view not forming part of the design of the lounge chair).

FIG. 11 is a rear side view of the reclining lounge chair in the fully reclined position shown in FIG. 7.

FIG. 12 is a front perspective view of the reclining lounge chair in a partially reclined position with the leg supports fully extended;

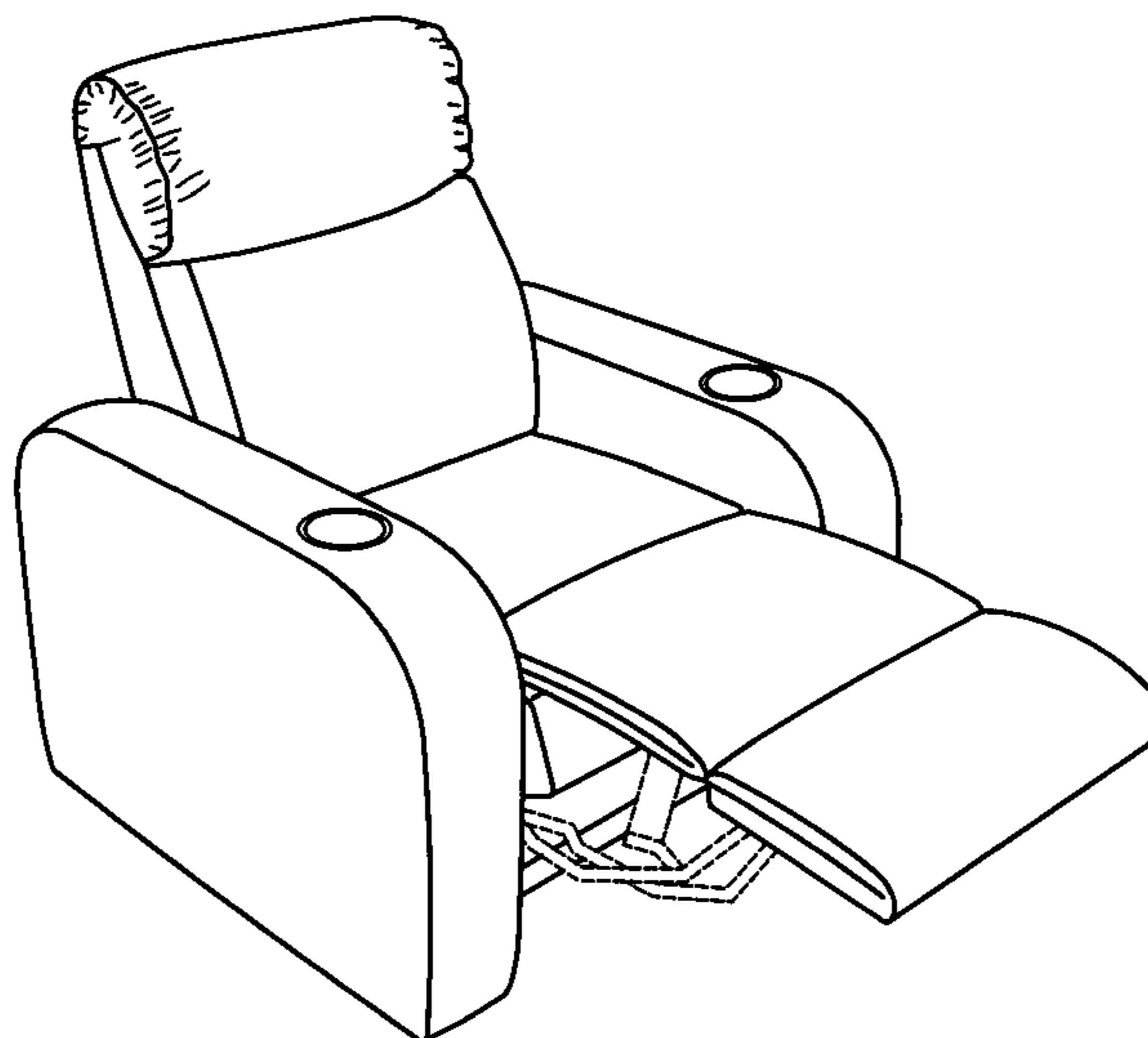
FIG. 13 is a left side view of the reclining lounge chair in the partially reclined position shown in FIG. 12 (the right side view being a mirror image of the left side view).

FIG. 14 is front side view of the reclining lounge chair in the partially reclined position shown in FIG. 12.

FIG. 15 is a top view of the reclining lounge chair in the partially reclined position shown in FIG. 12 (the bottom view not forming part of the design of the lounge chair); and,

FIG. 16 is a rear view of the reclining lounge chair in the partially reclined position shown in FIG. 12.

1 Claim, 9 Drawing Sheets



US D541,064 S

Page 2

U.S. PATENT DOCUMENTS

D173,706	S	*	12/1954	Maurer	D6/360
2,781,823	A	*	2/1957	Knabusch et al.	297/85
4,570,996	A	*	2/1986	Rogers, Jr.	297/85
D288,505	S	*	3/1987	Yamasaki	D6/360
4,669,778	A	*	6/1987	Rogers, Jr.	297/85
4,674,794	A	*	6/1987	Pine	297/85
5,090,768	A	*	2/1992	Re et al.	297/85
5,129,701	A	*	7/1992	Pine	297/68
D395,960	S	*	7/1998	Smith	D6/360
D395,961	S	*	7/1998	Smith	D6/360
D442,375	S	*	5/2001	Stammberger	D6/335
D456,621	S	*	5/2002	Antunes et al.	D6/335
D462,845	S	*	9/2002	Canto Garcia	D6/335
D485,687	S	*	1/2004	Natuzzi	D6/334
2001/0035668	A1	*	11/2001	Gaffney et al.	297/85

* cited by examiner

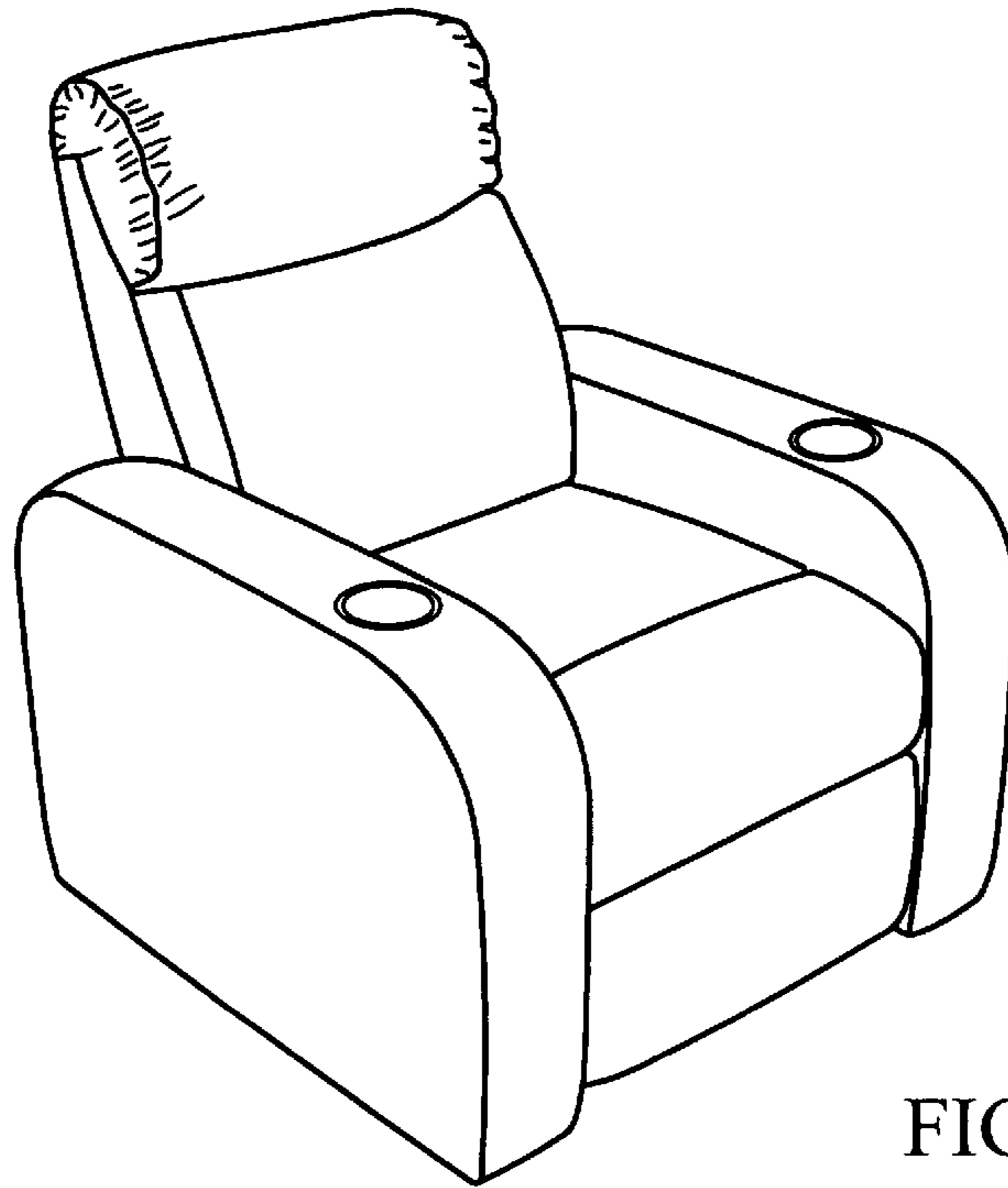


FIG. 1

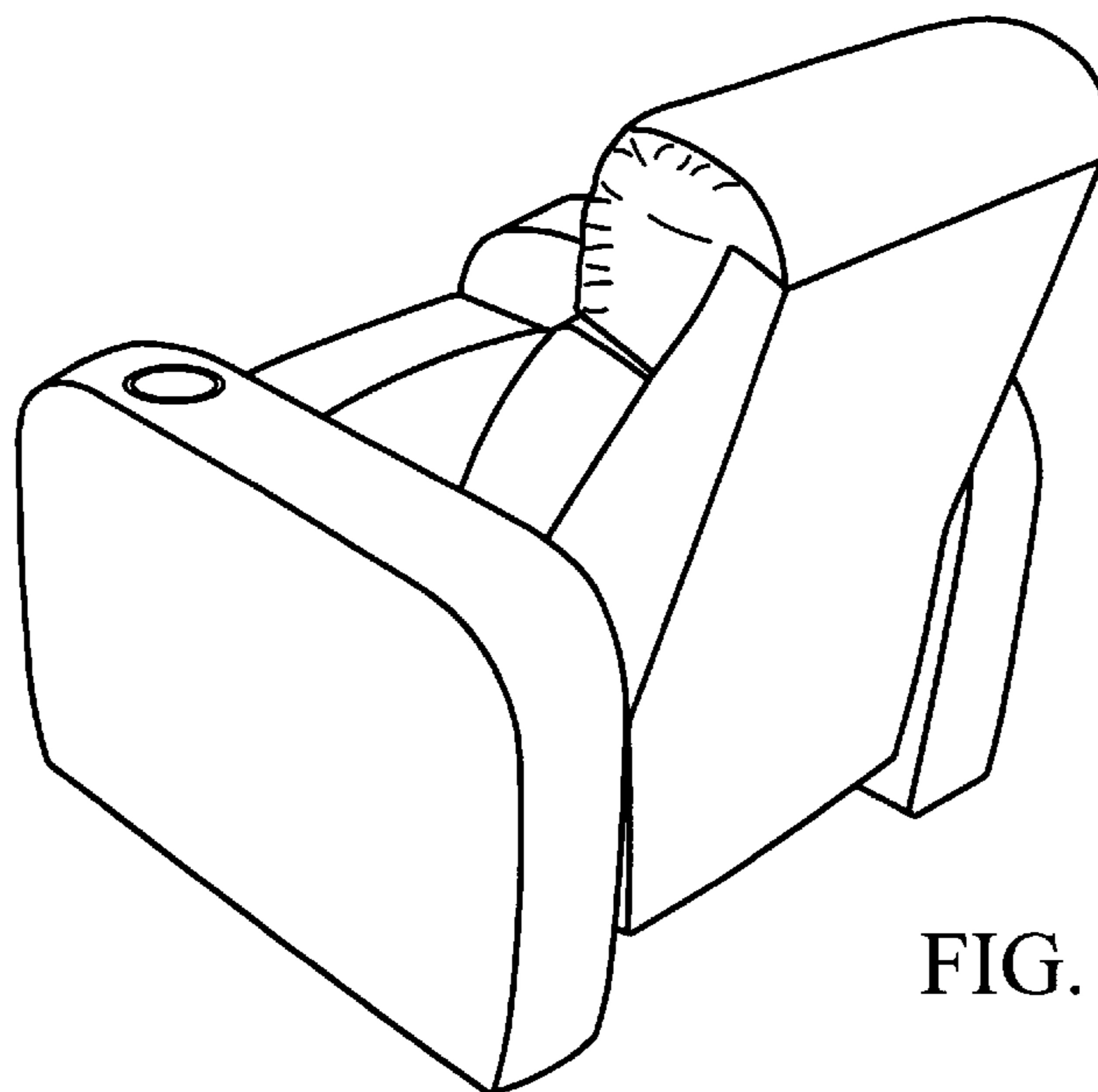


FIG. 2

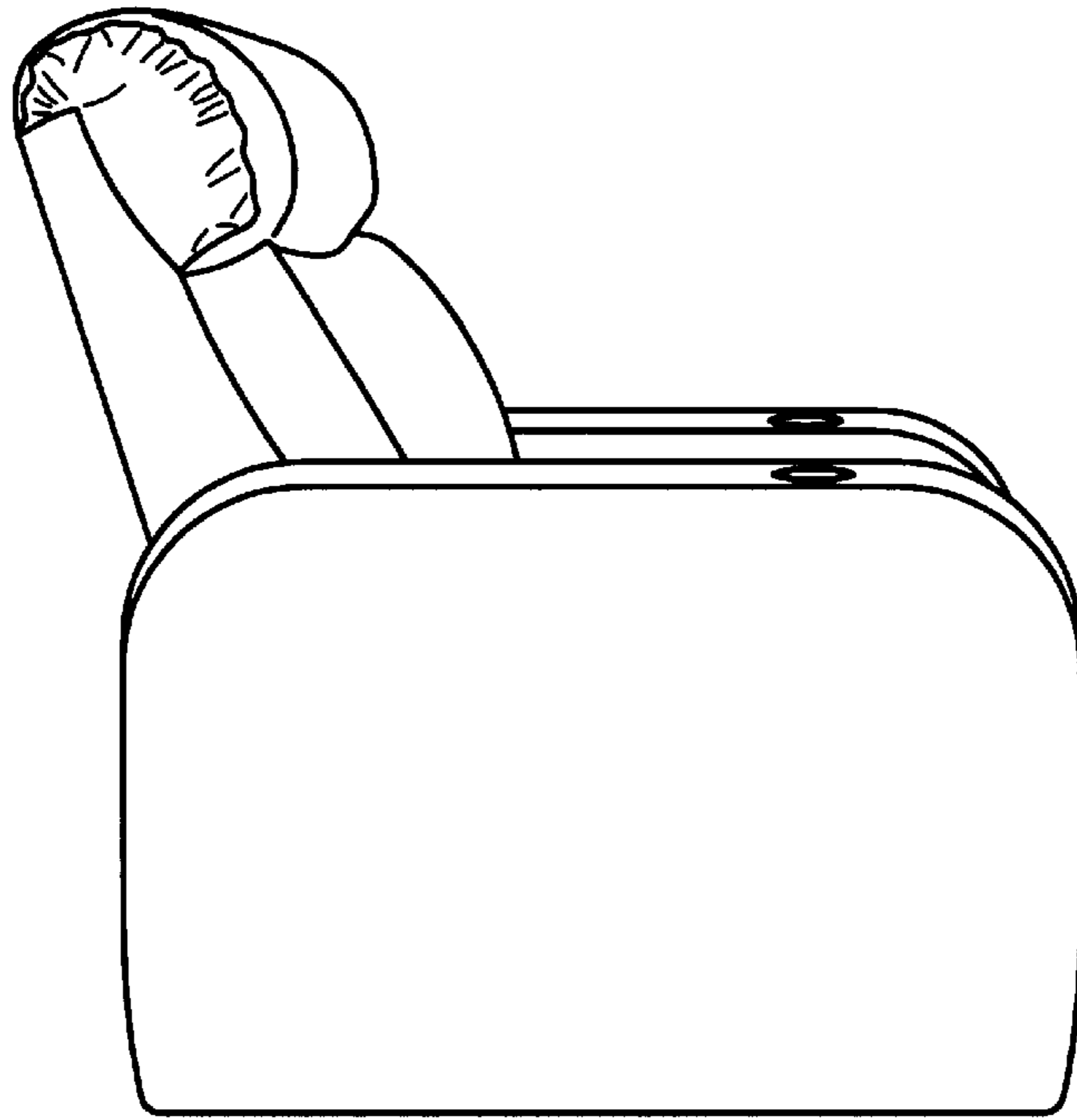


FIG. 3

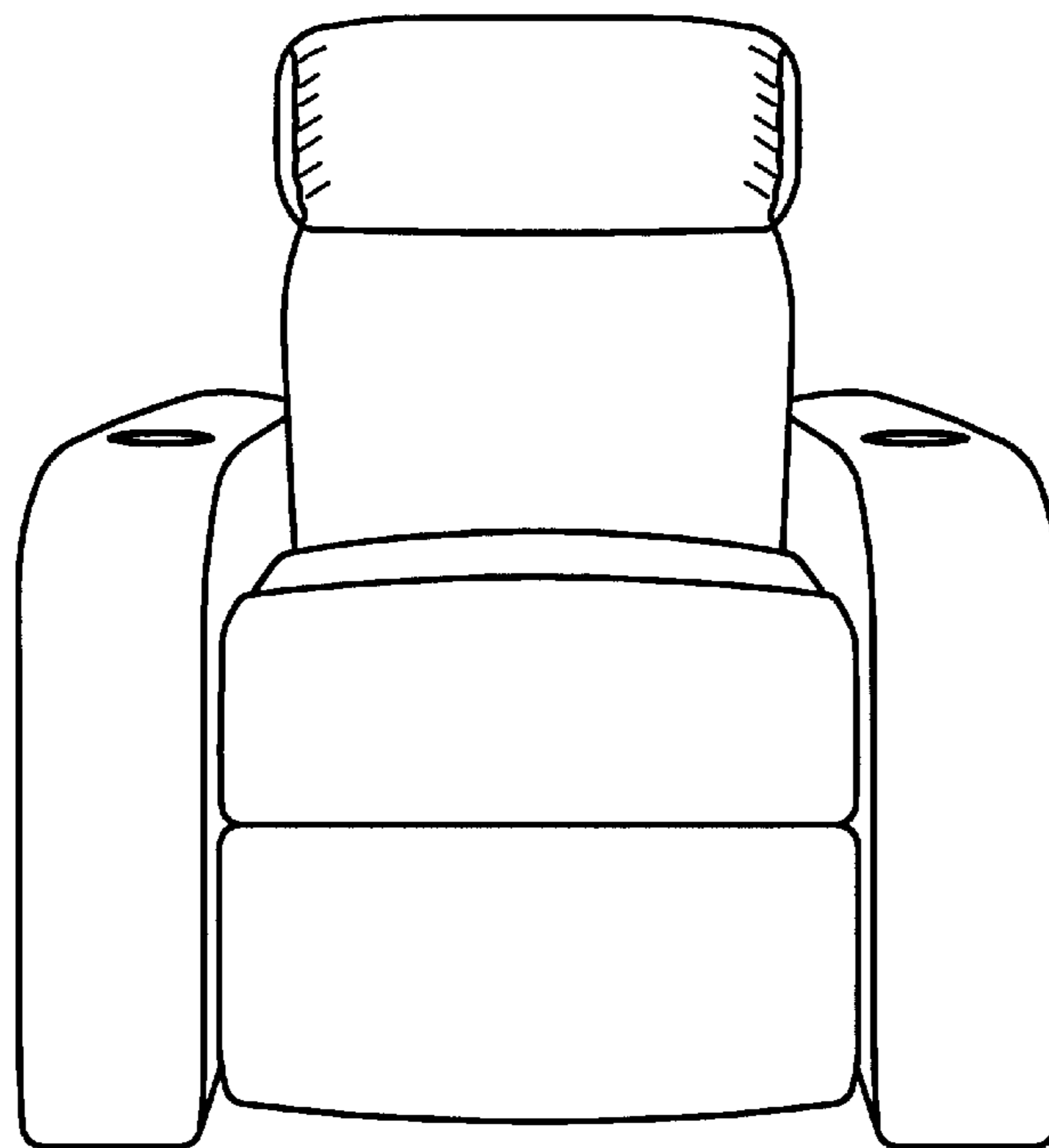


FIG. 4

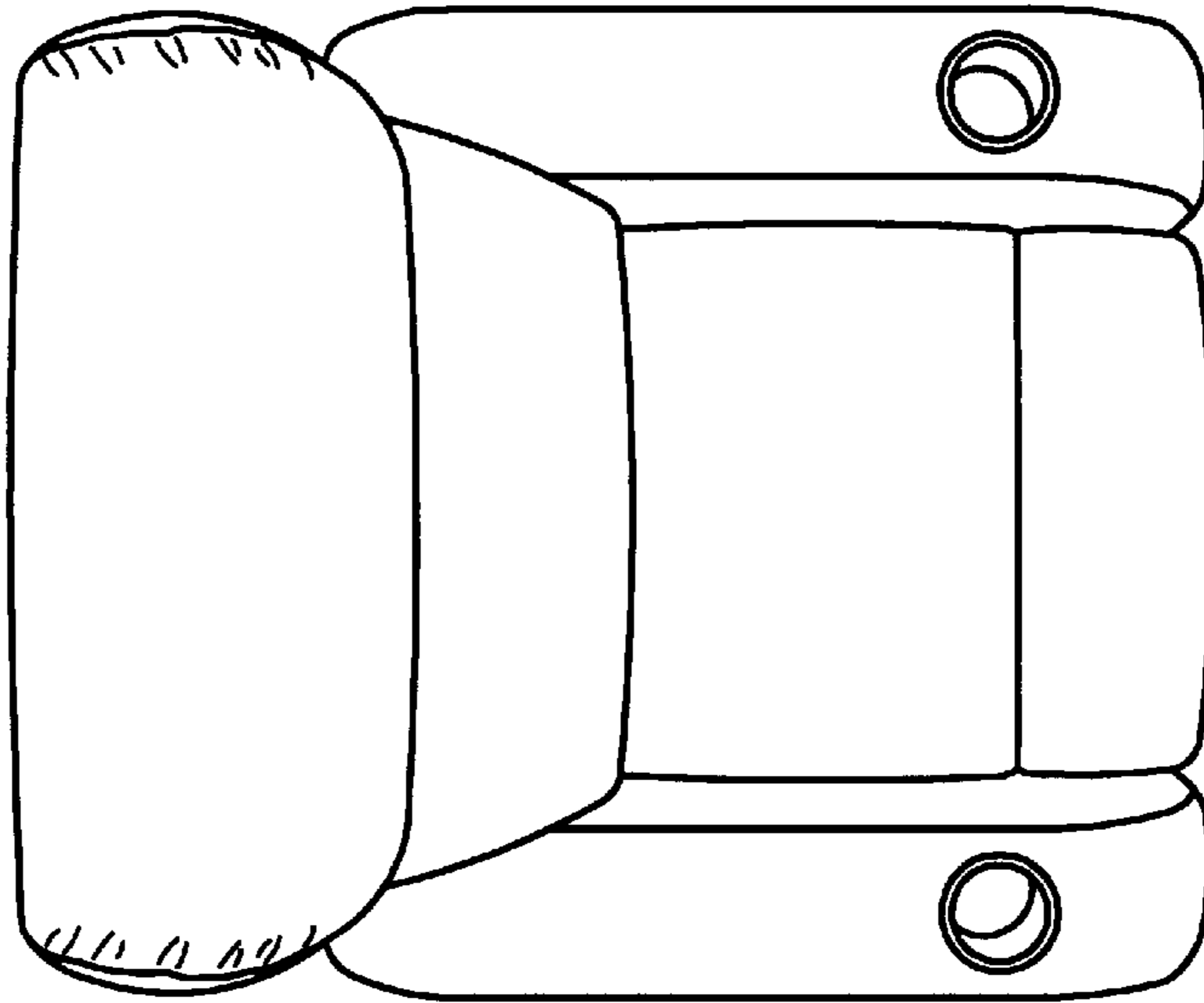


FIG. 5

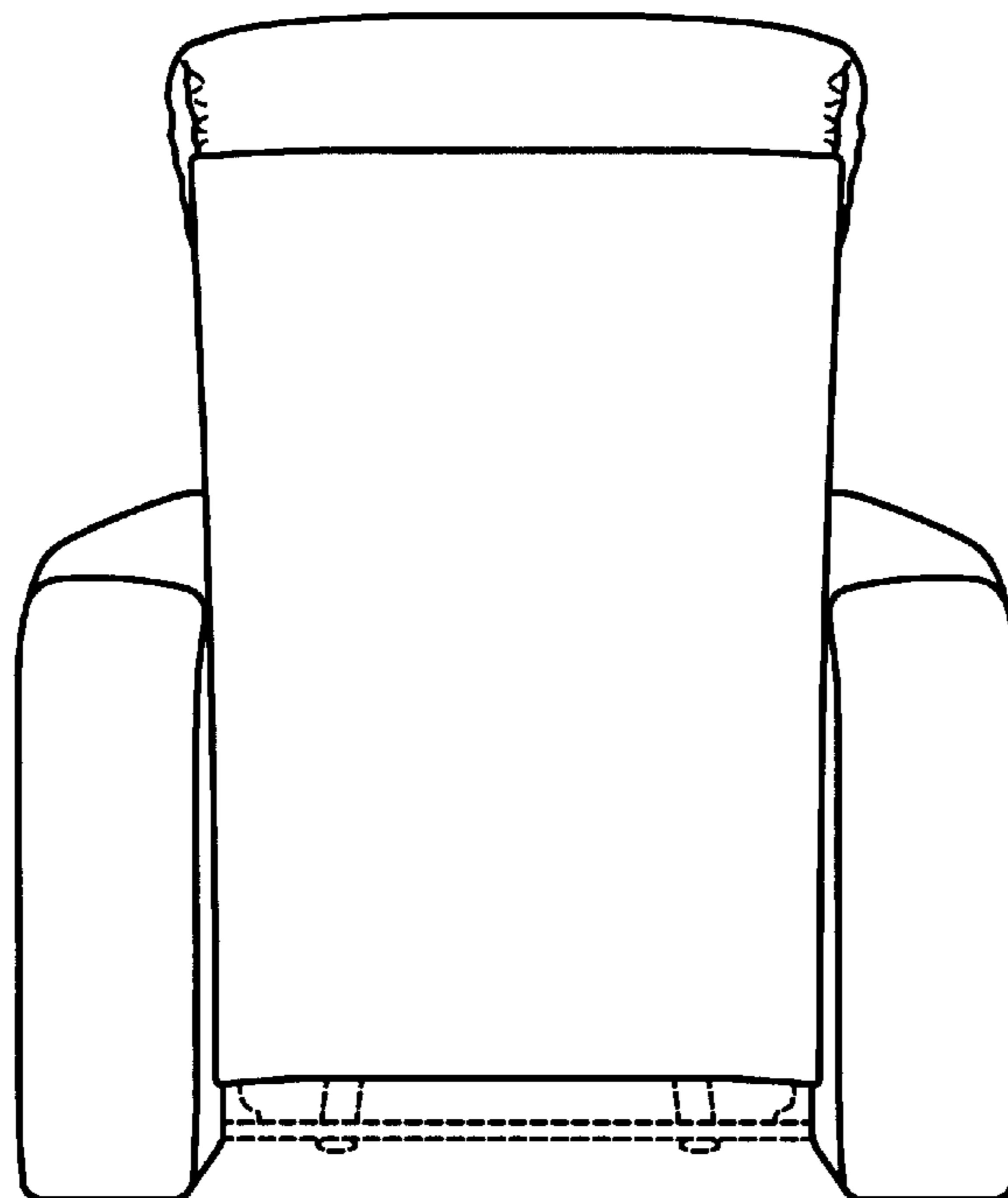


FIG. 6

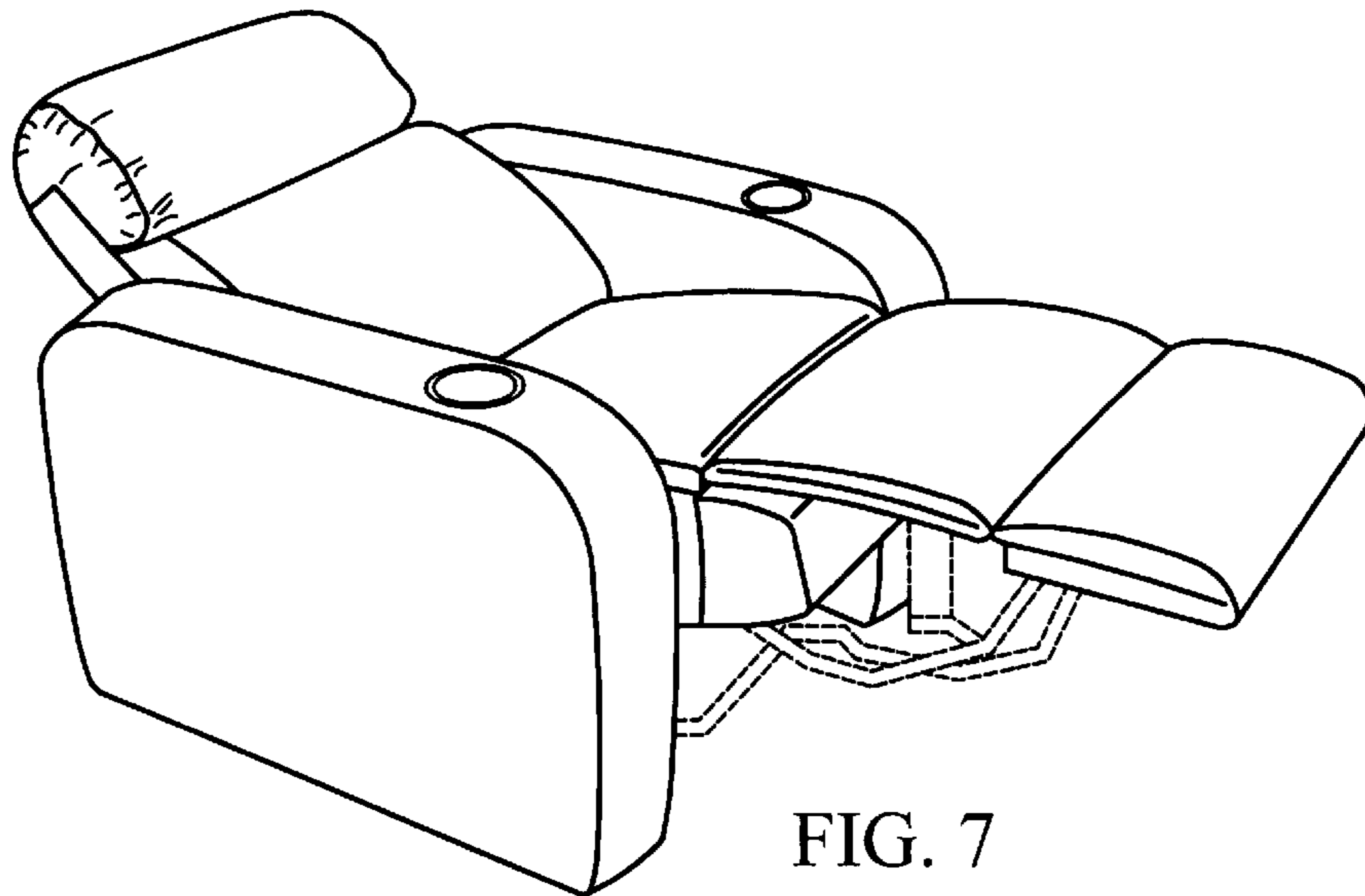


FIG. 7

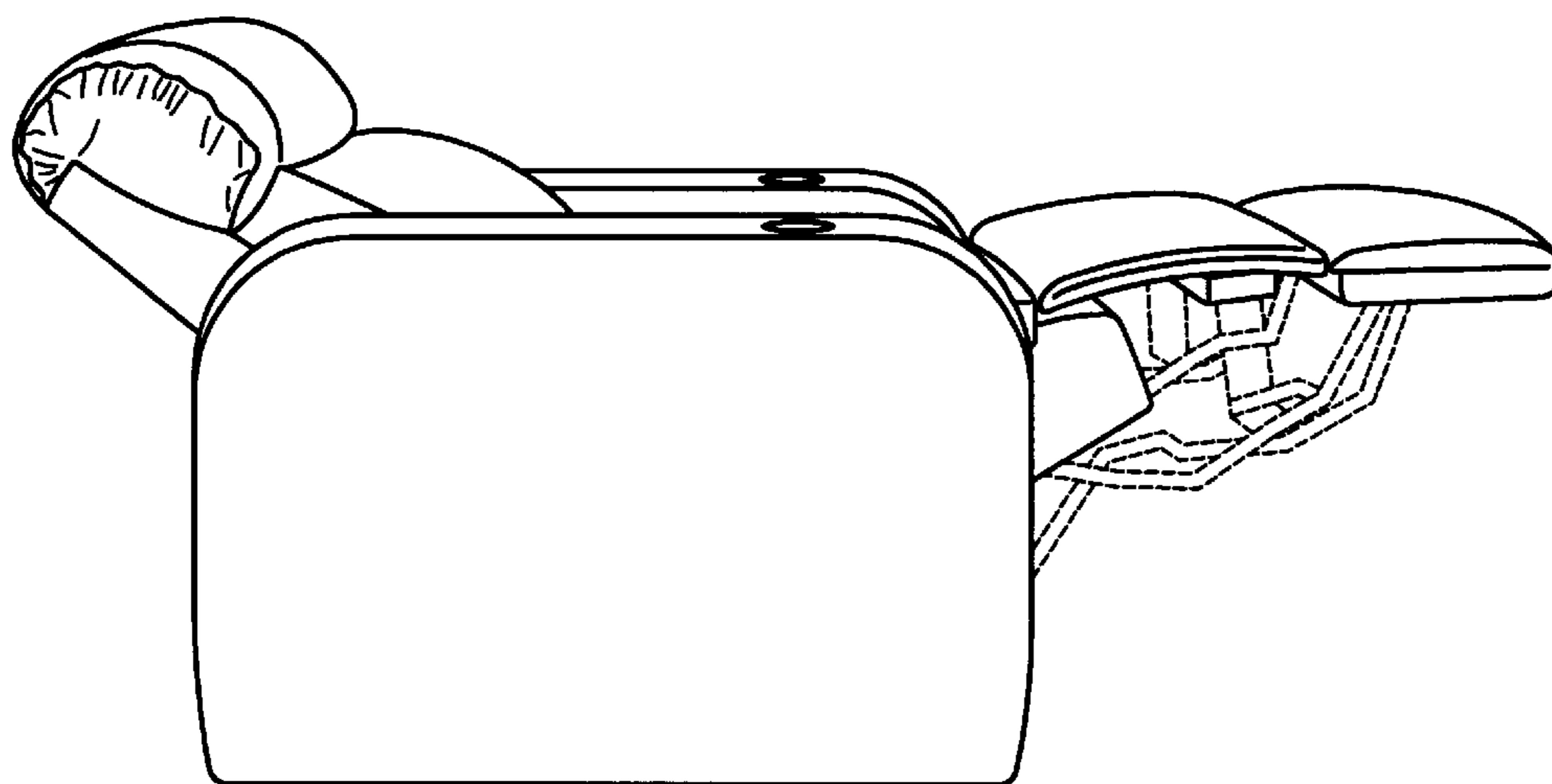


FIG. 8

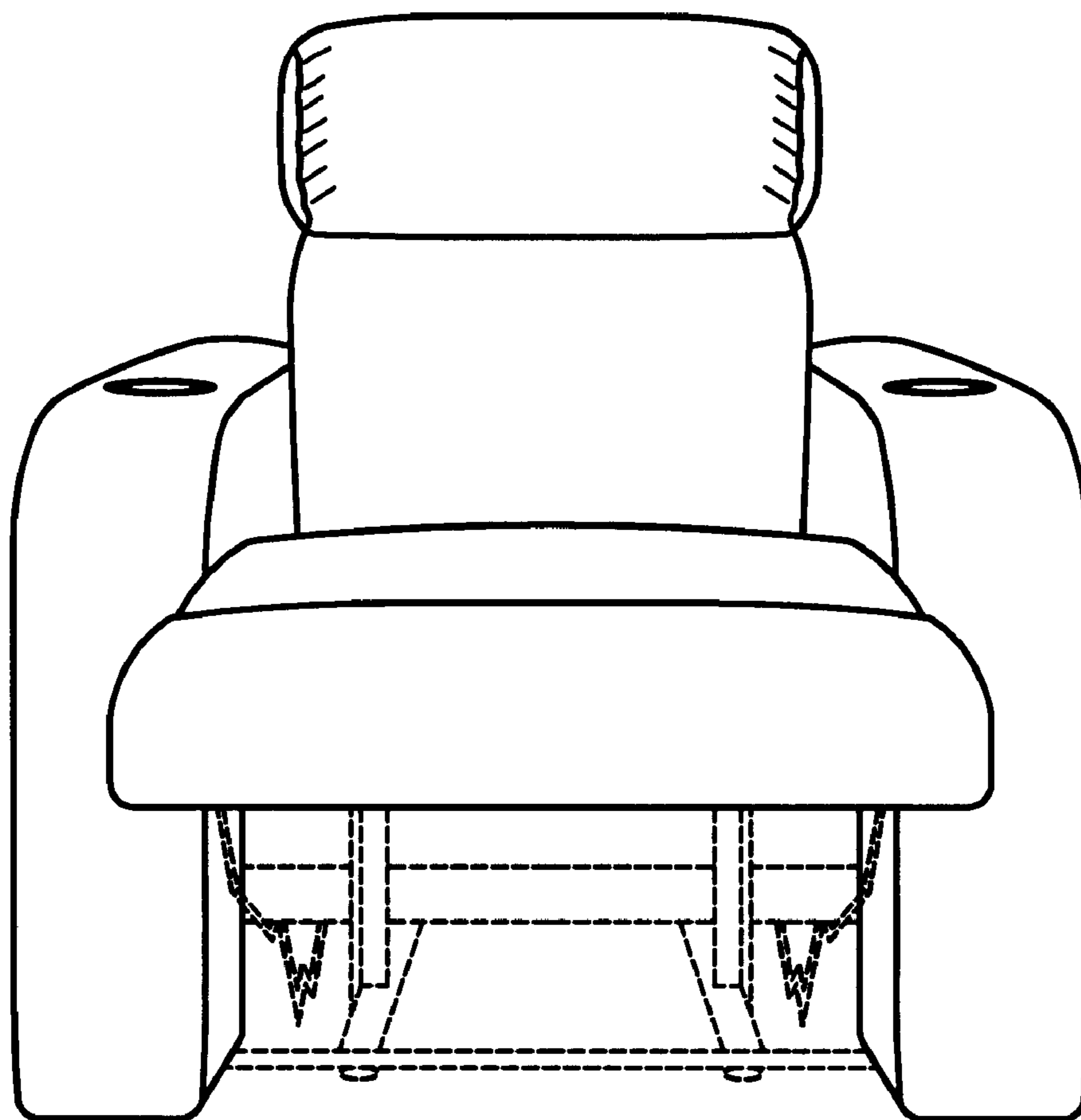


FIG. 9

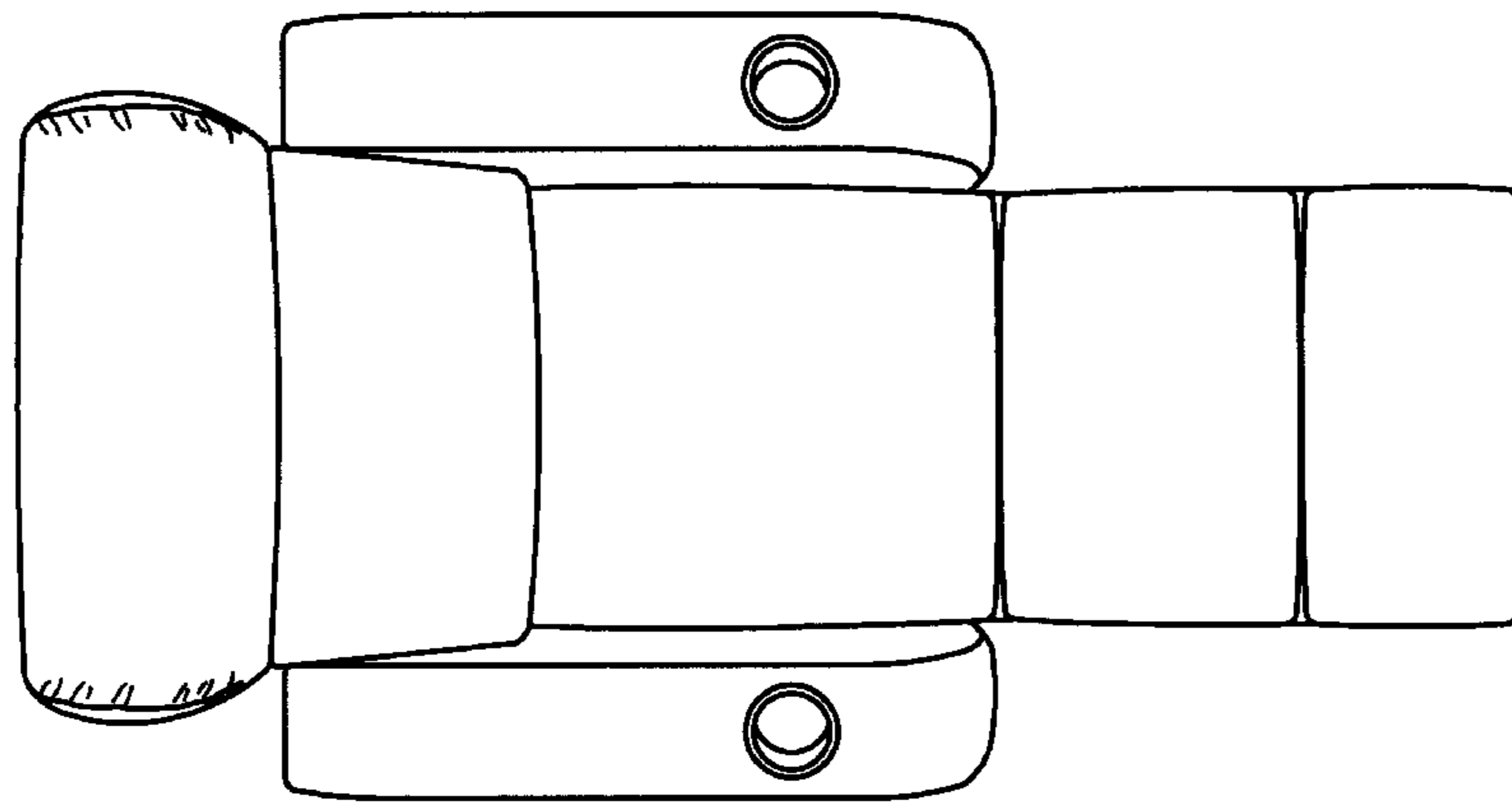


FIG. 10

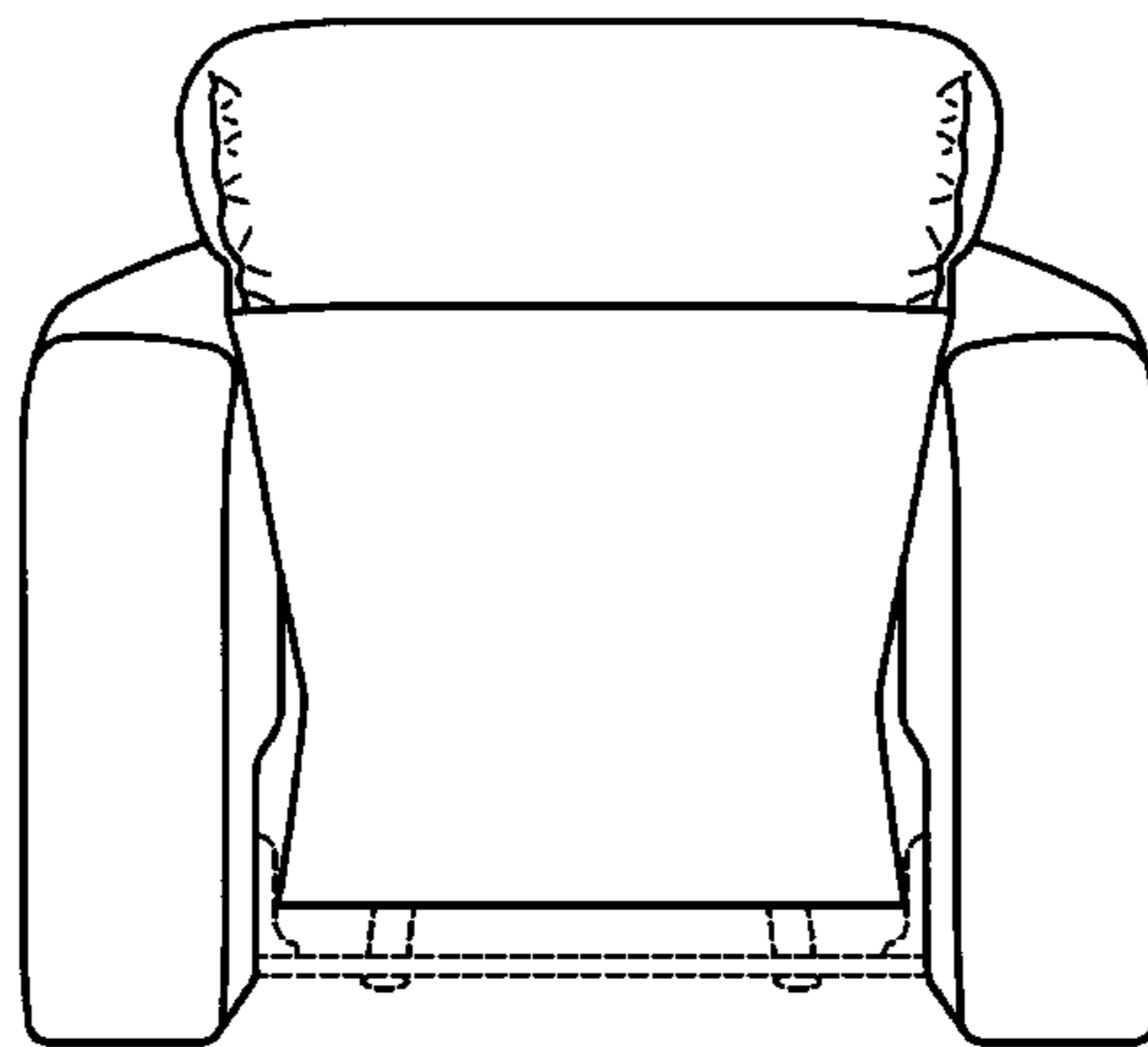


FIG. 11

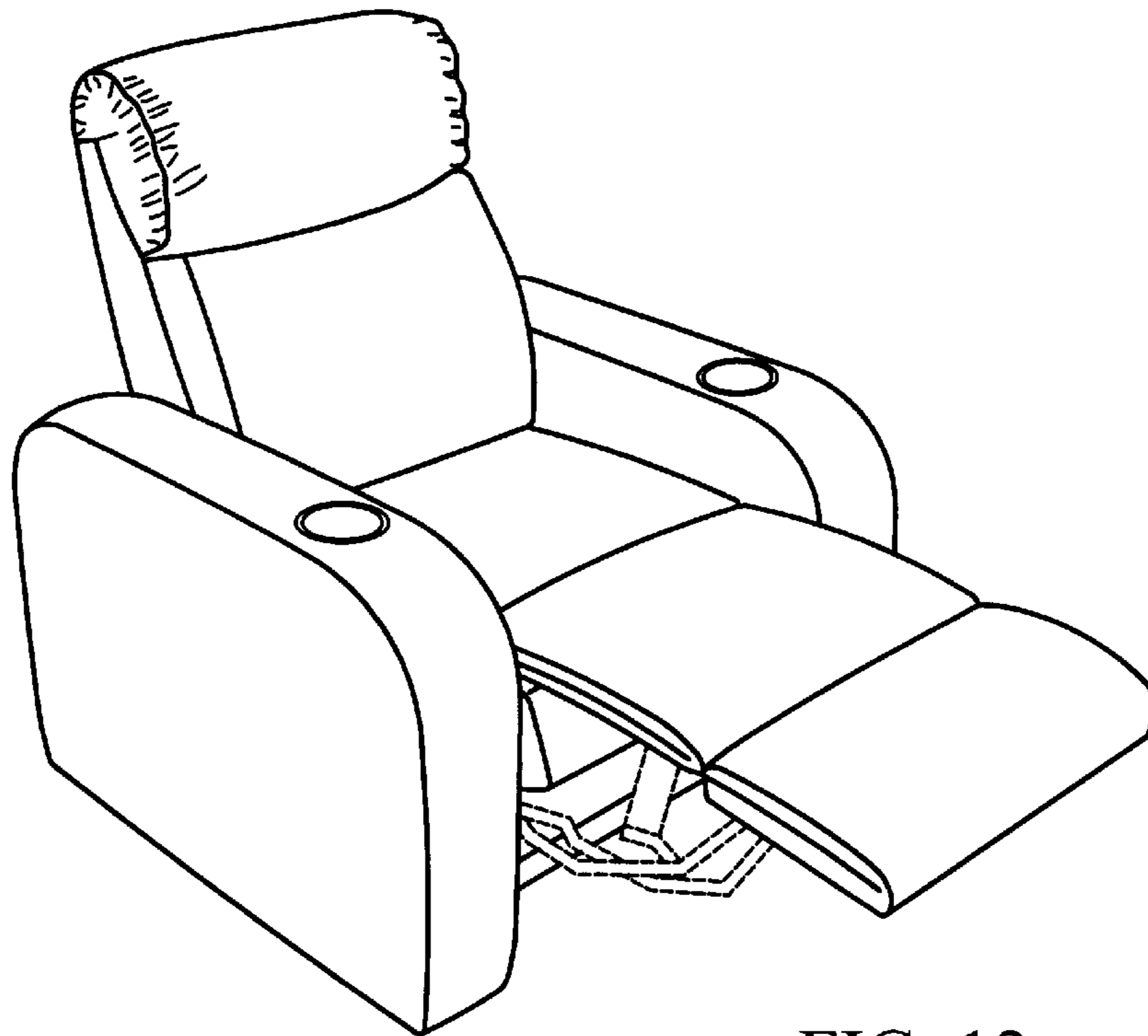


FIG. 12

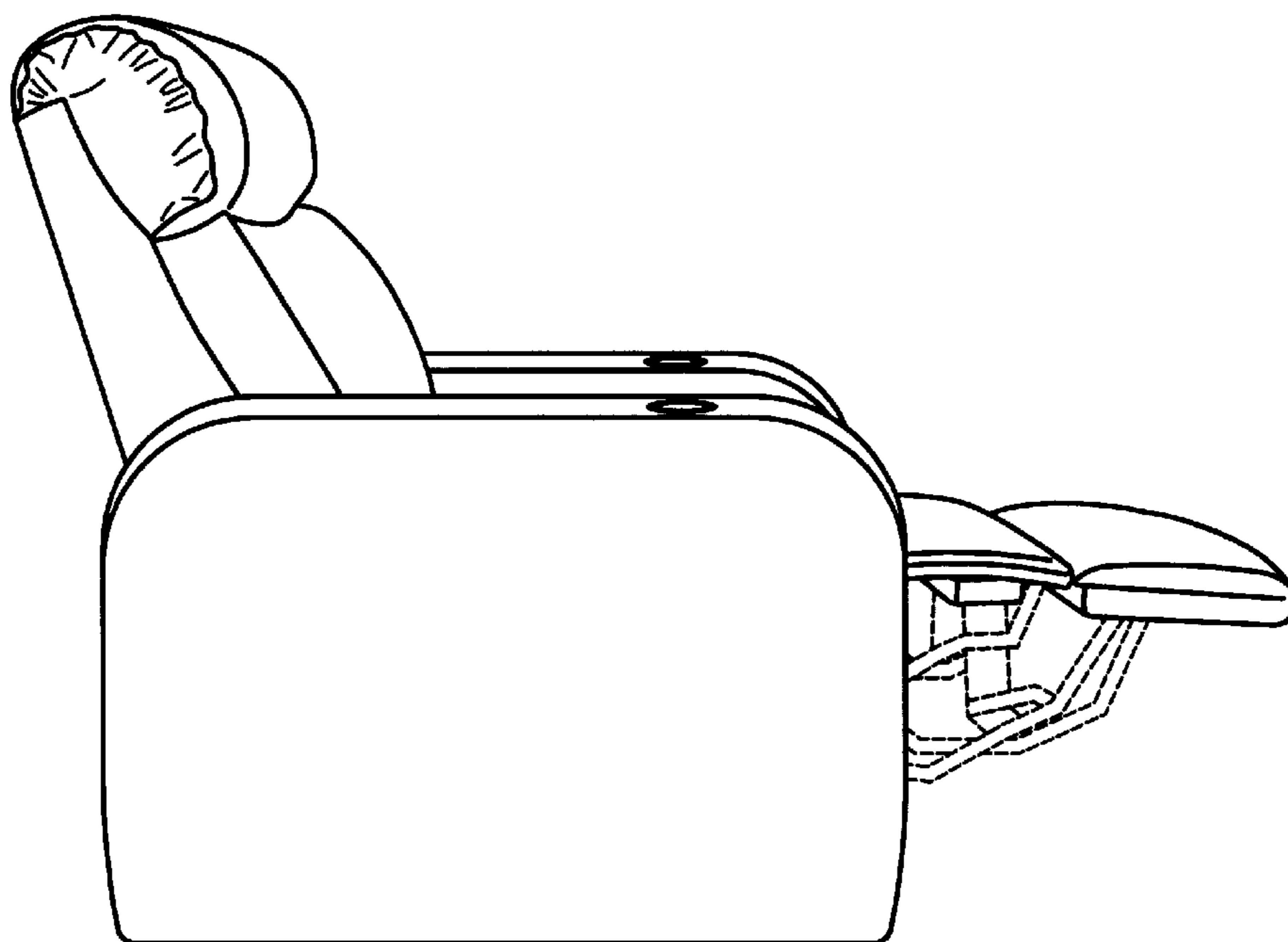


FIG. 13

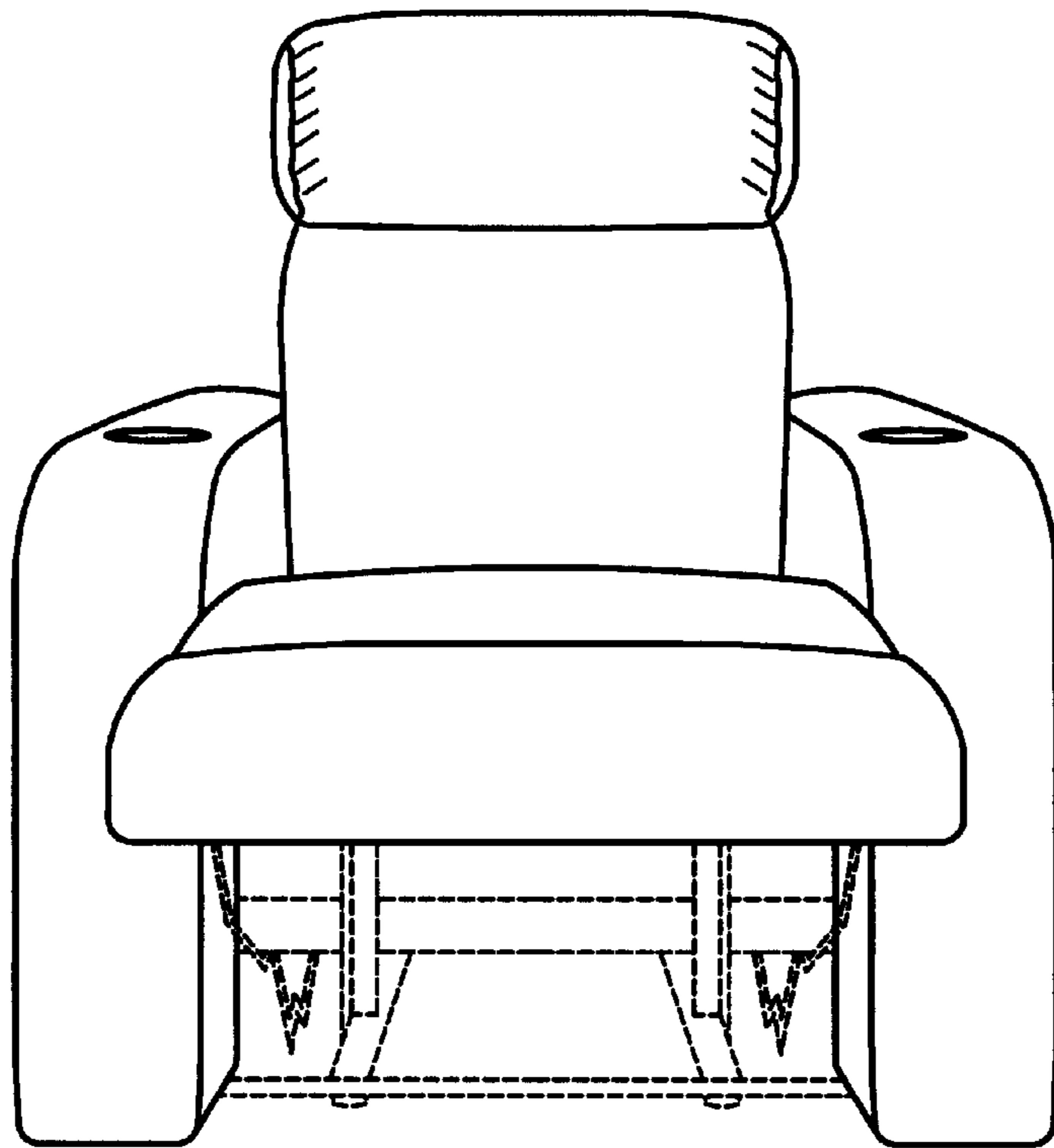


FIG. 14

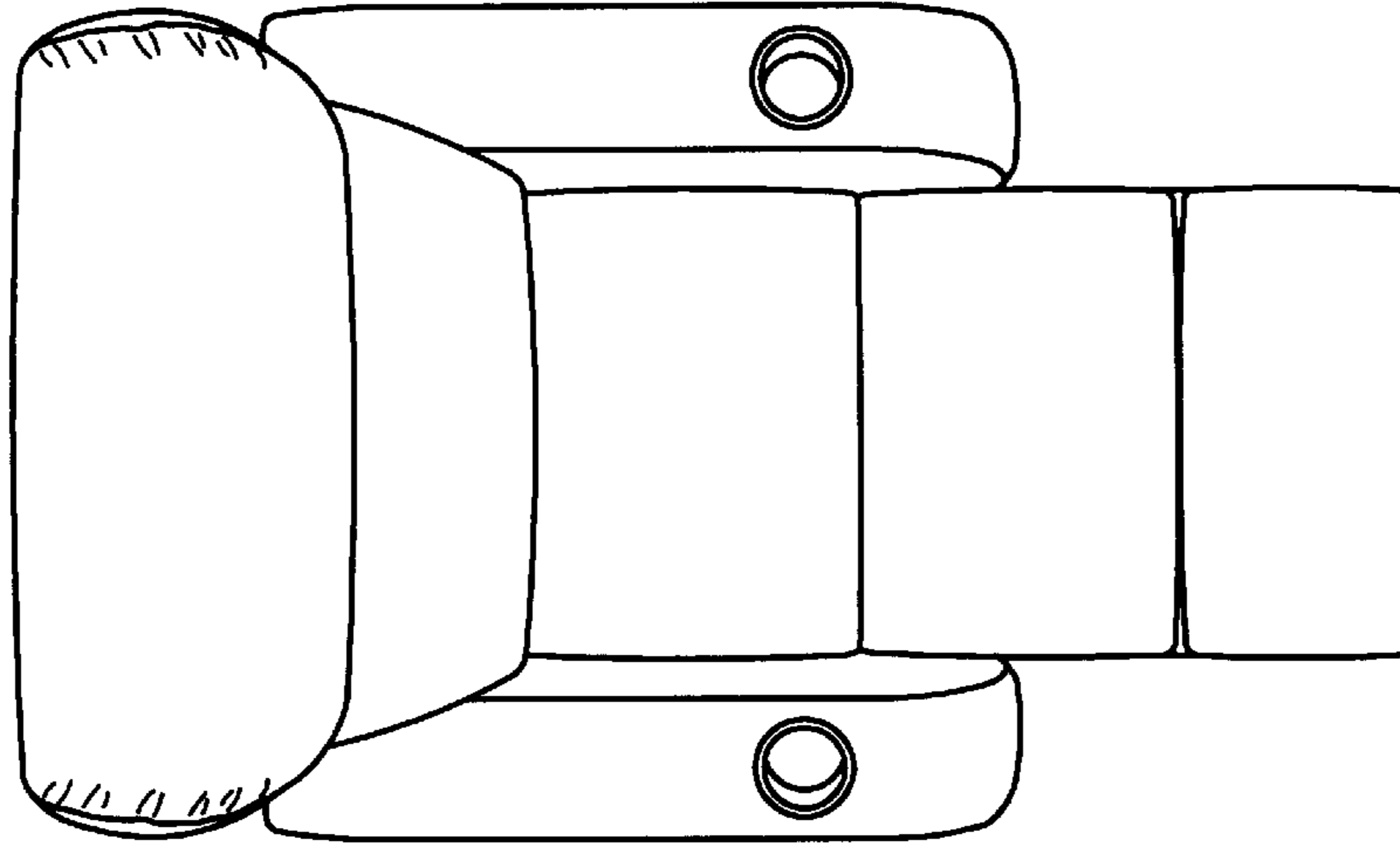


FIG. 15

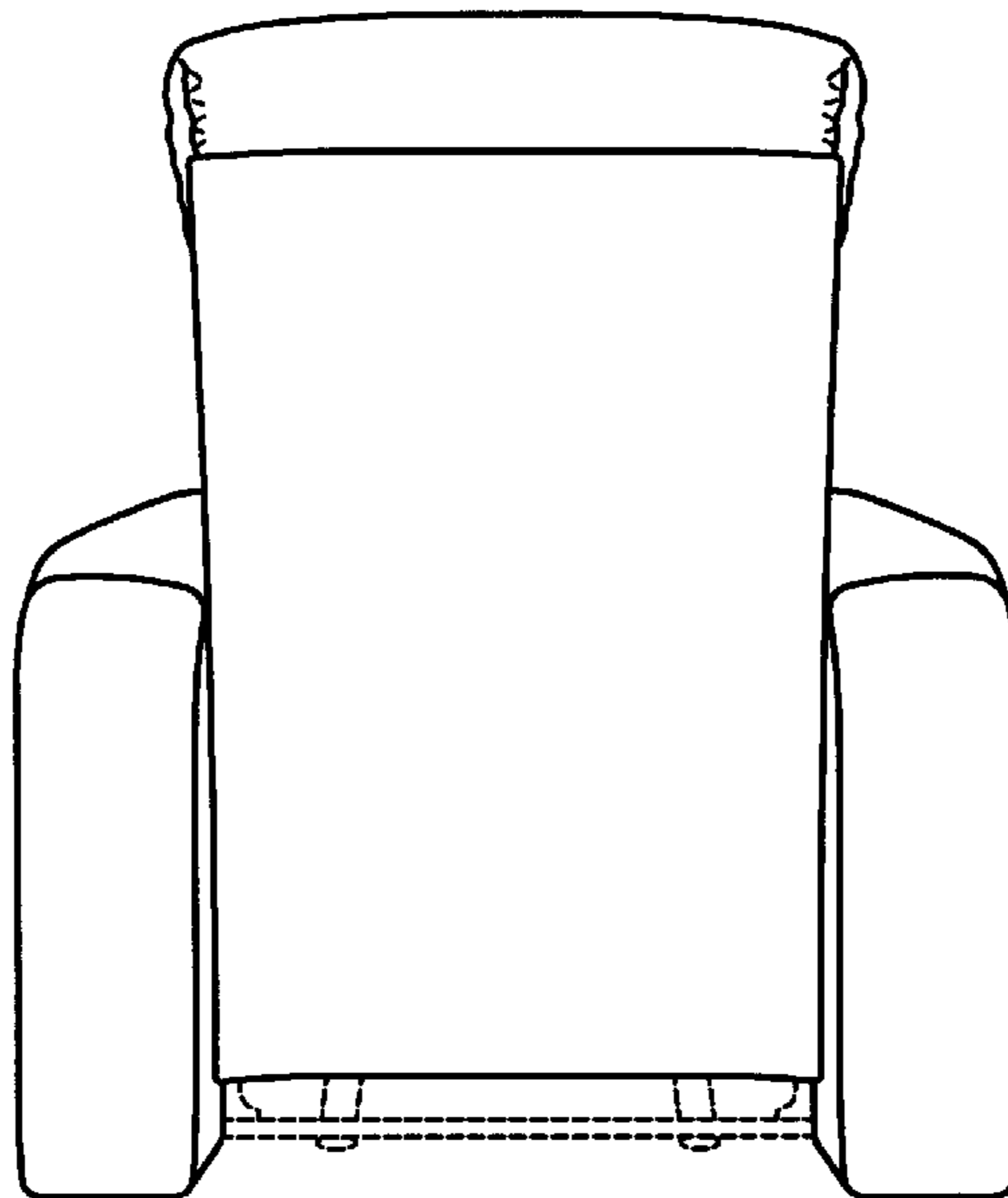


FIG. 16