



US00D541060S

(12) **United States Design Patent**
Fugate et al.

(10) **Patent No.:** **US D541,060 S**

(45) **Date of Patent:** **** Apr. 24, 2007**

(54) **SPA**

JP 6-78858 3/1994
JP 6-339509 12/1994

(75) Inventors: **Norman R. Fugate**, Milwaukee, WI (US); **Robert J. Miller**, Waukesha, WI (US)

OTHER PUBLICATIONS

(73) Assignee: **European Touch Holdings, Inc.**, Milwaukee, WI (US)

Korean-American Nail Solon Association of NY Nail Journal 2004, Jan. 31, 2006, 2 pgs.*

(**) **Term:** **14 Years**

Golden Ratio Woodworks—The Grand Versailles; printed on Mar. 31, 2006 from website <http://www.goldenratio.com/GRW/Spa/GrandVersailles.html>, 1 page.

(21) Appl. No.: **29/257,376**

SpaEquip: LaFleur Pedicure Chair from Gulfstream; printed on Feb. 15, 2006 from website <http://www.spaequip.com/store/GSLF.jsp>, 1 page.

(22) Filed: **Apr. 3, 2006**

(51) **LOC (8) Cl.** **06-01**

Primary Examiner—Sandra S. Snapp

(52) **U.S. Cl.** **D6/335**

(74) *Attorney, Agent, or Firm*—Foley & Lardner LLP

(58) **Field of Classification Search** D6/334–336, D6/360–361, 367, 500–502; 297/182, 310, 297/188.1, 188.9, 344.13, 188.04; D28/55, D28/61; 4/517–520, 523

(57) **CLAIM**

See application file for complete search history.

We claim the ornamental design for an spa, as shown and described.

DESCRIPTION

(56) **References Cited**

FIG. 1 is a perspective view from the upper right of the spa;

U.S. PATENT DOCUMENTS

FIG. 2 is a top view of the spa;

2,061,142 A	11/1936	Denocenzo
2,312,524 A	3/1943	Cox
2,417,499 A	3/1947	Ille
D160,368 S	10/1950	Centerbar
2,733,711 A	2/1956	Gibson
2,738,787 A	3/1956	Jacuzzi et al.

FIG. 3 is a right side view of the design of FIG. 1;

FIG. 4 is a front view of the spa;

FIG. 5 is a left side view of the design of FIG. 1; and,

FIG. 6 is a rear view of the spa.

(Continued)

The ornamental design which is claimed is shown in solid lines in the drawings. The broken lines in the drawings are for illustrative purposes only and form no part of the claimed design.

FOREIGN PATENT DOCUMENTS

JP 6-46964 2/1994

1 Claim, 4 Drawing Sheets

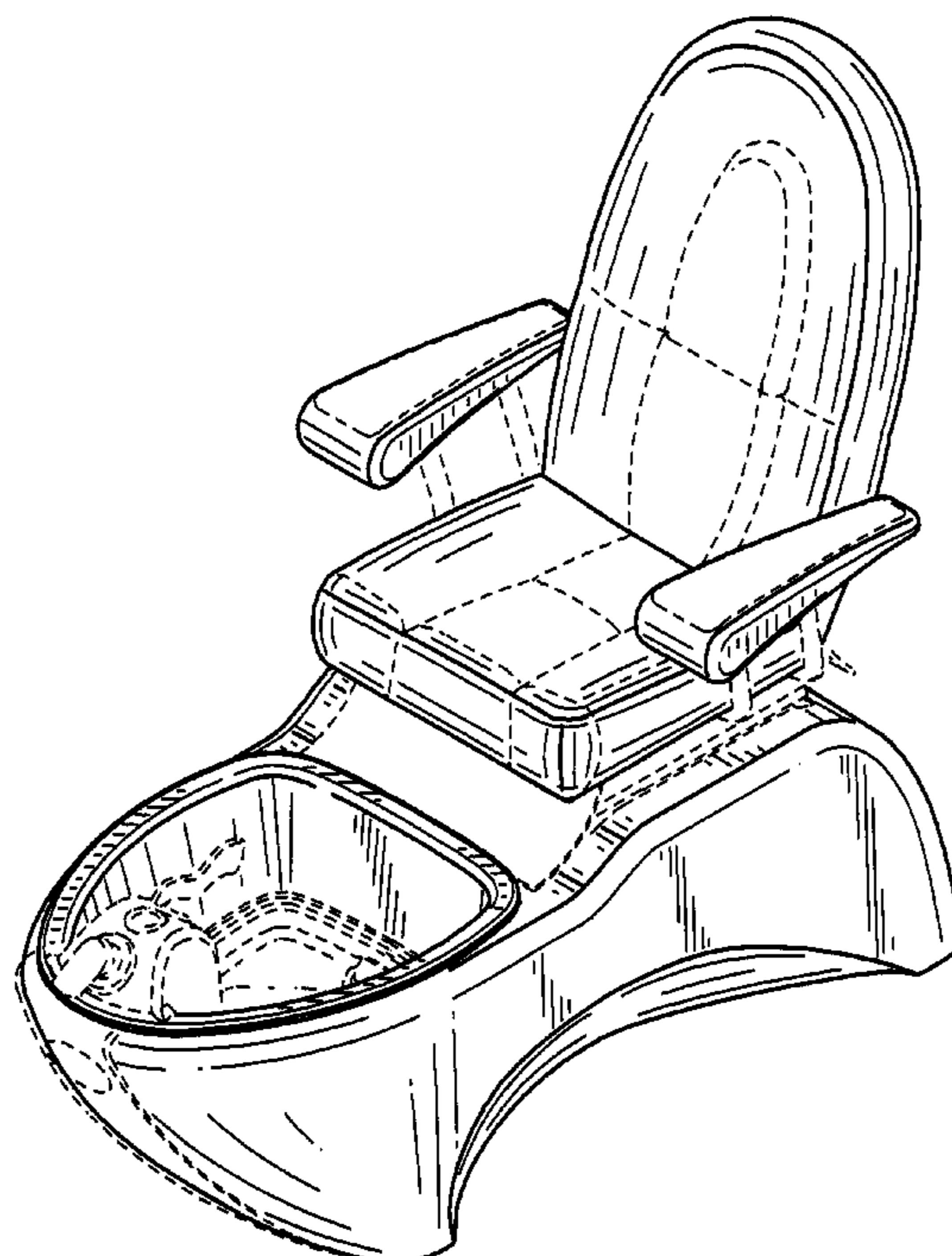
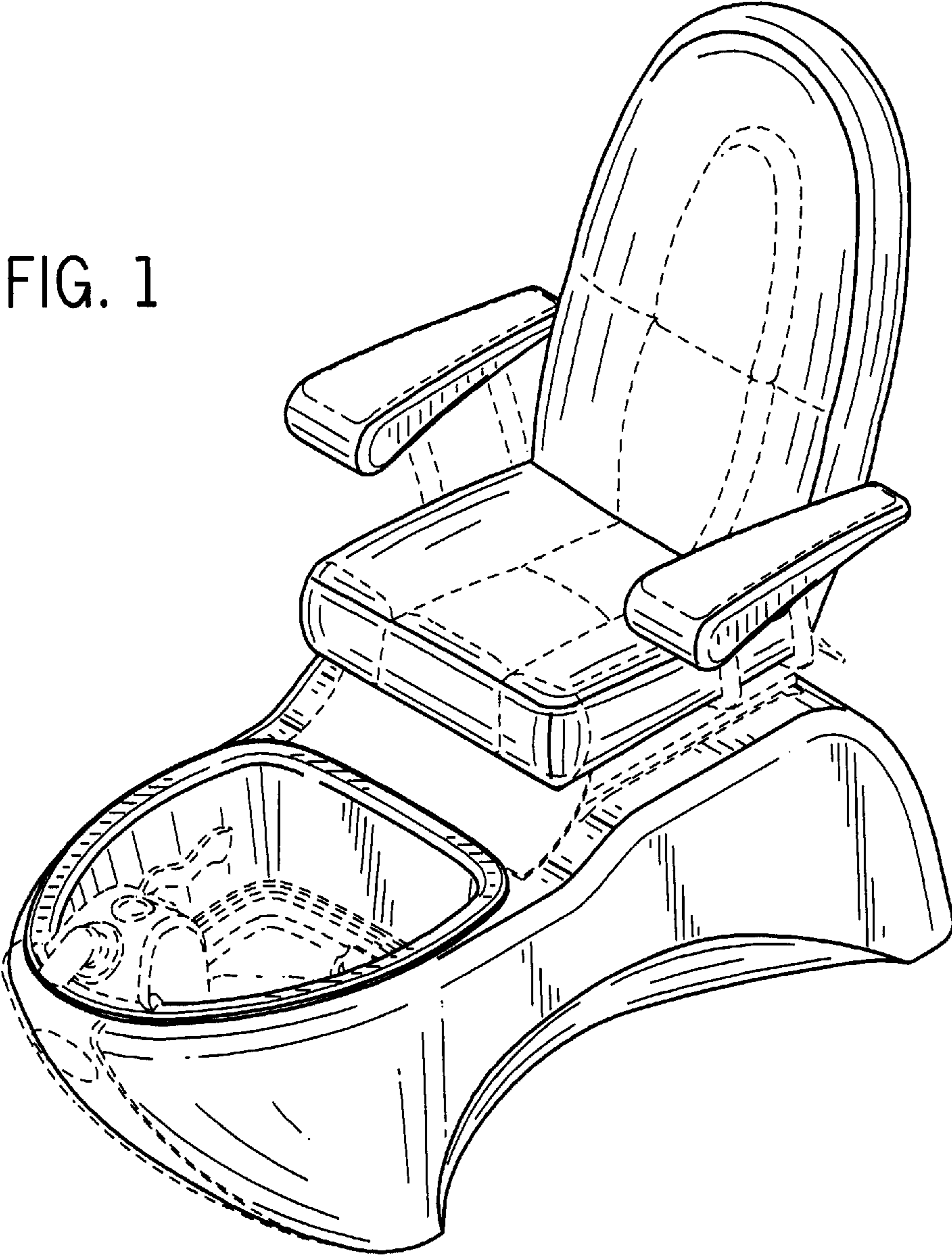


FIG. 1



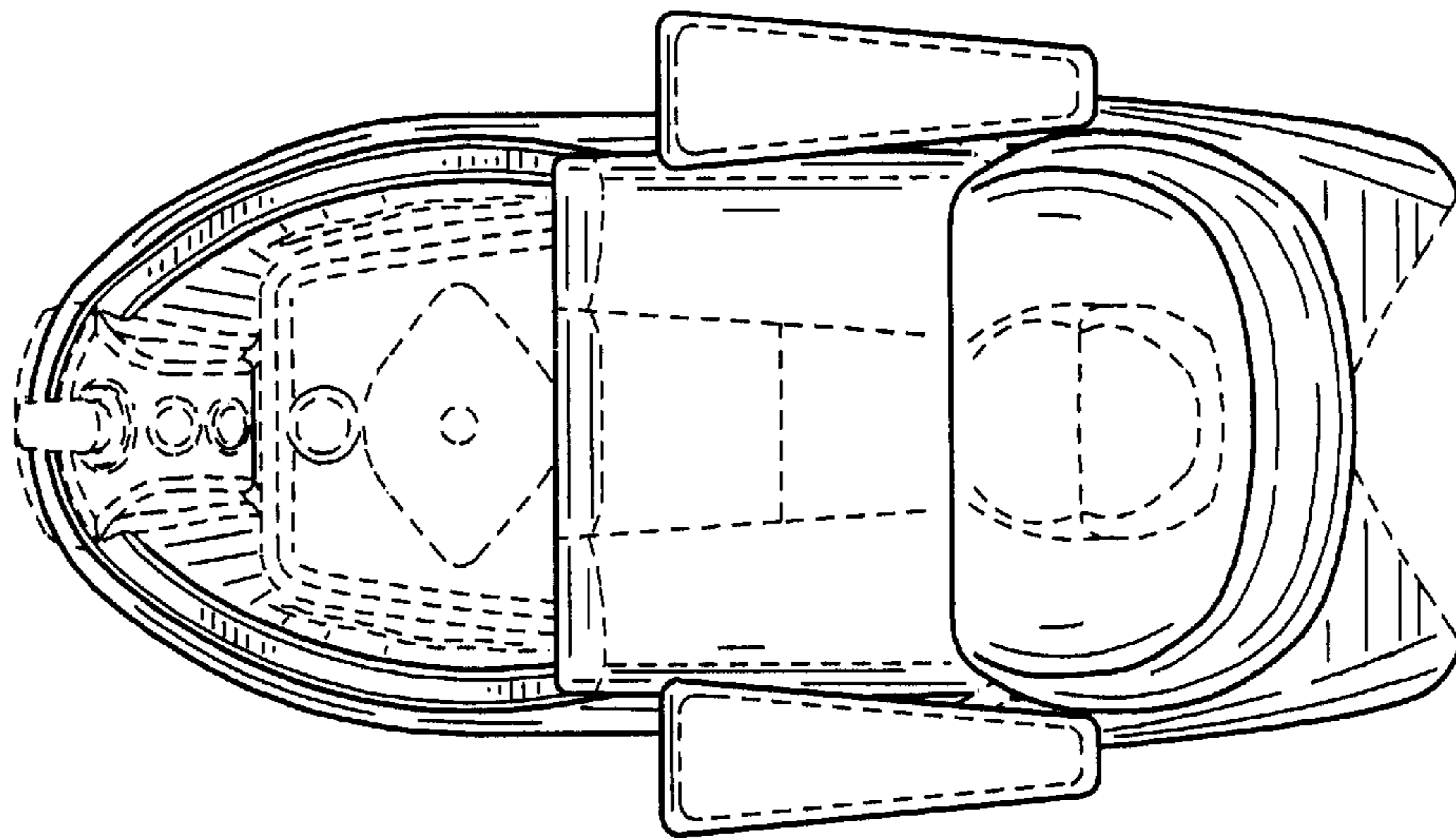


FIG. 2

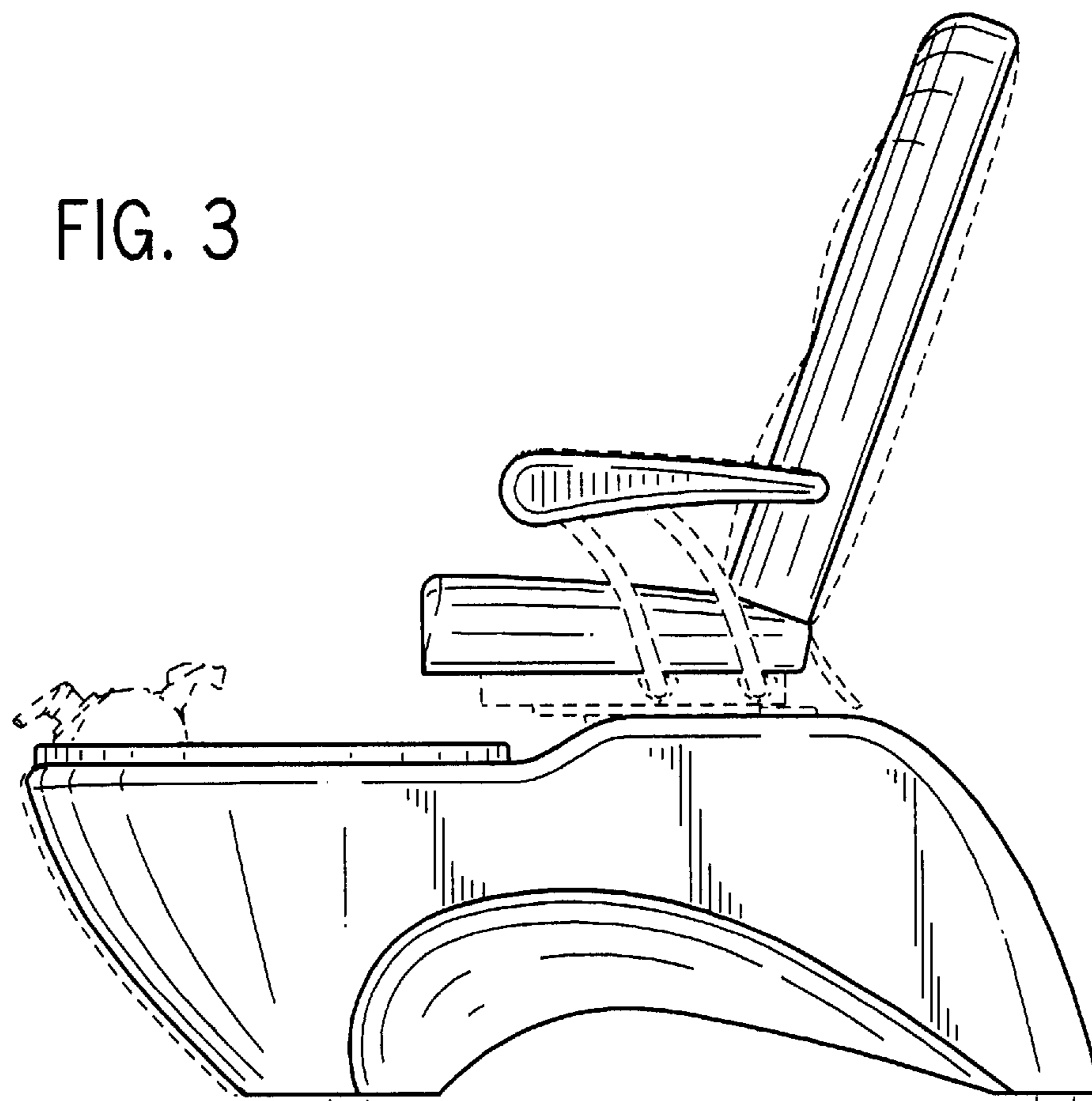


FIG. 3

FIG. 4

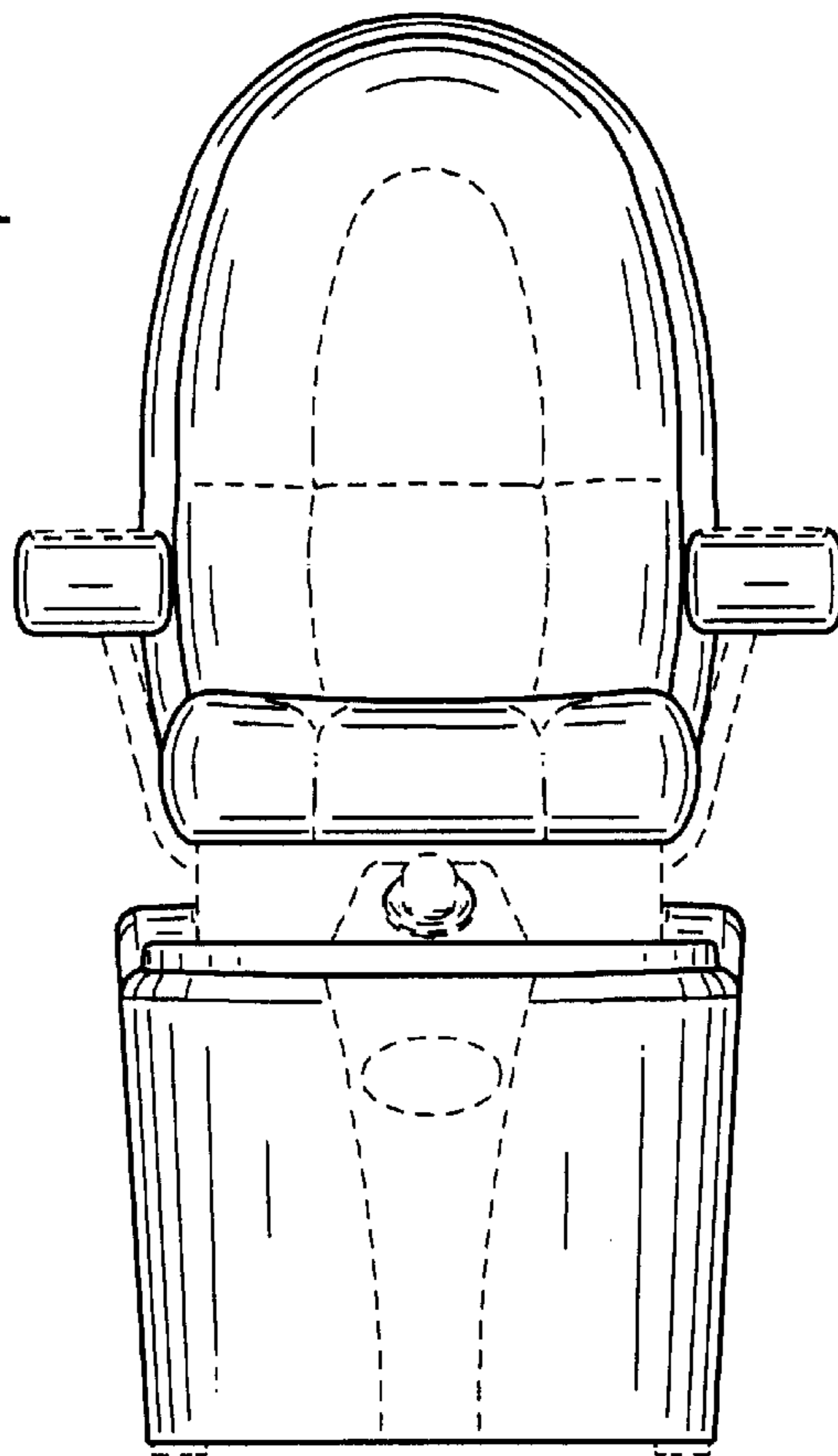
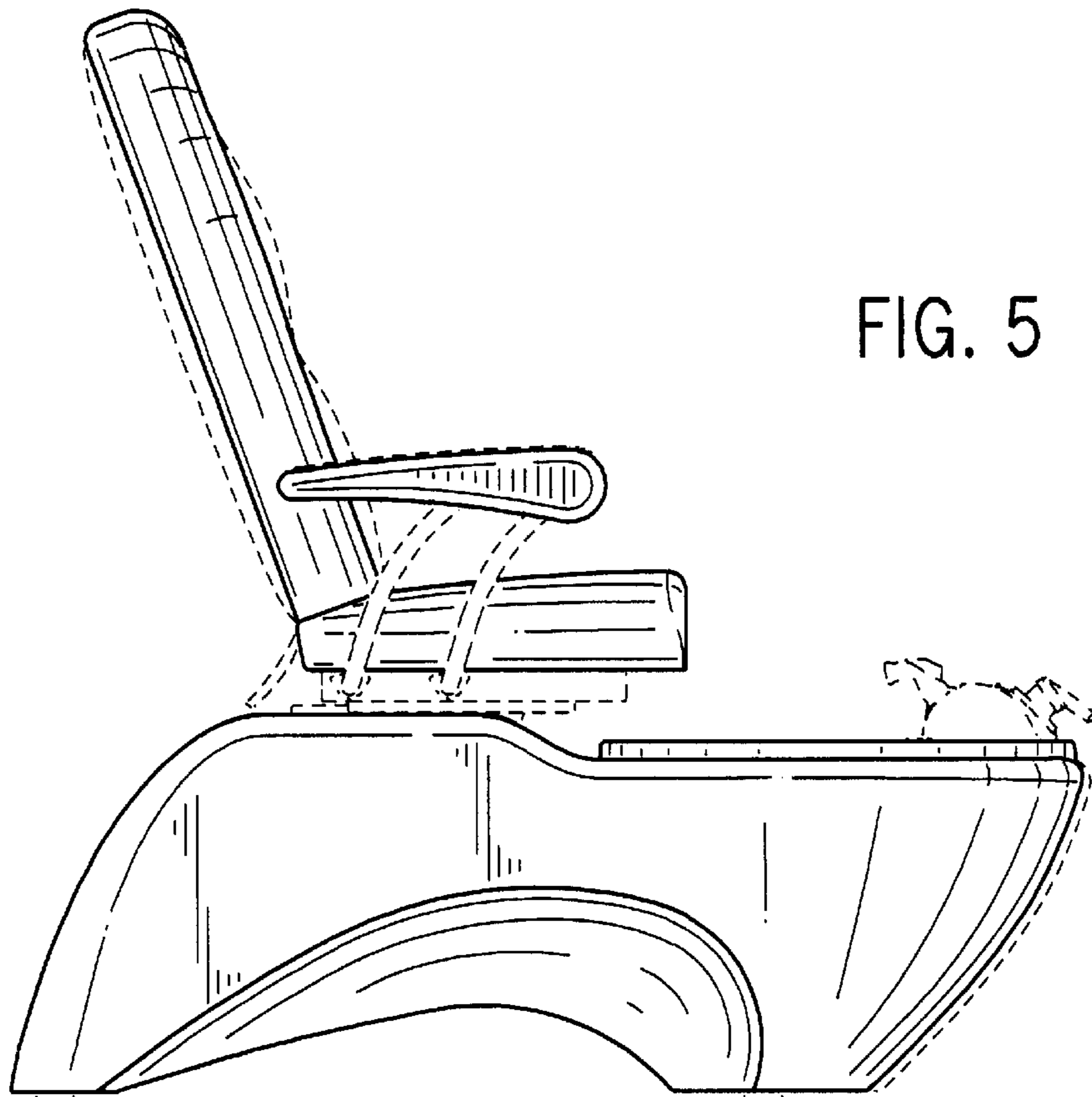


FIG. 5



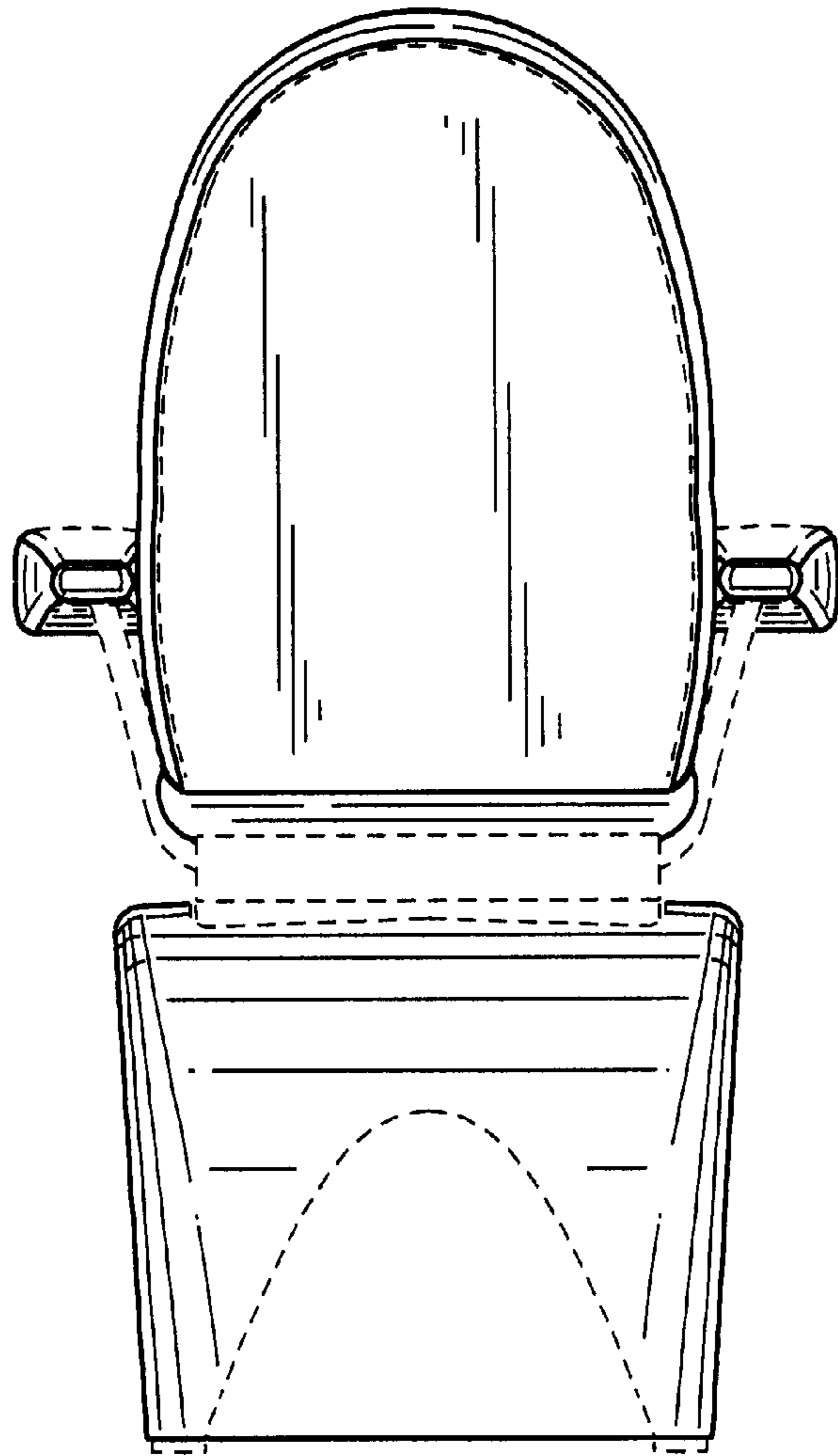


FIG. 6