



US00D541057S

(12) **United States Design Patent** (10) **Patent No.:** **US D541,057 S**
Kirar (45) **Date of Patent:** **** Apr. 24, 2007**

(54) **SUPPORT**

(75) Inventor: **Laura K. Kirar**, New York, NY (US)

(73) Assignee: **Kohler Co.**, Kohler, WI (US)

(**) Term: **14 Years**

(21) Appl. No.: **29/229,234**

(22) Filed: **May 4, 2005**

(51) **LOC (8) Cl.** **06-08**

(52) **U.S. Cl.** **D6/323**

(58) **Field of Classification Search** D6/615,
D6/320, 323, 327, 328, 550, 145; D8/354,
D8/367, 372; 223/85-98; 211/13.1, 85.3
See application file for complete search history.

(56) **References Cited**

U.S. PATENT DOCUMENTS

D388,619 S	*	1/1998	Klein et al.	D6/323
D389,326 S	*	1/1998	Moore	D6/323
D390,709 S	*	2/1998	Moore	D6/323
D442,073 S	*	5/2001	Lyndon	D8/367
D472,060 S	*	3/2003	Hoernig	D6/323
D505,274 S	*	5/2005	Lai	D6/323
D516,852 S	*	3/2006	Berberet	D6/550
D530,556 S	*	10/2006	Berberet et al.	D6/550

OTHER PUBLICATIONS

Website page, Whitehaus, Bathroom Accessories, Bathroom robe hook, May 4, 2005.
Kohler catalog, p. 59, Devonshire, showing bathroom accessories.

Jacob Delafon catalog, p. 304, Robinetterie Pour Le Bain Et La Douche, Elite.

* cited by examiner

Primary Examiner—Stella Reid

Assistant Examiner—Shanda C. Hill

(74) *Attorney, Agent, or Firm*—Quarles & Brady LLP

(57) **CLAIM**

The ornamental design for a support, as shown and described.

DESCRIPTION

In a preferred embodiment, the nature of this product is a wall mountable support, such as one useful to support a robe hook.

FIG. 1 is a left, top, front perspective view of a support according to my new design;

FIG. 2 is a front elevational view thereof;

FIG. 3 is a left side elevational view thereof, the right side elevational view thereof being a mirror image of the left side shown;

FIG. 4 is a top plan view thereof;

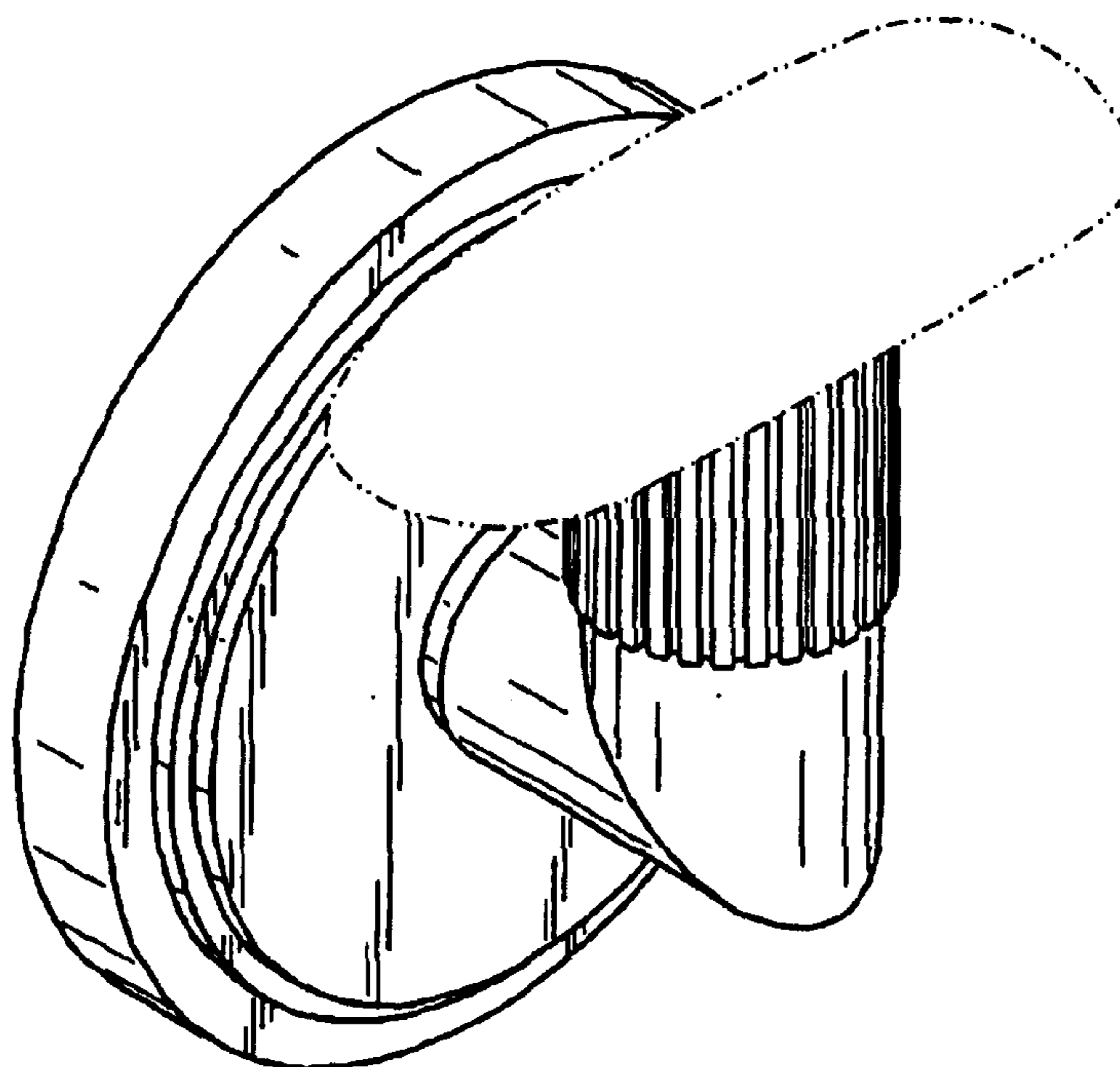
FIG. 5 is a bottom plan view thereof; and,

FIG. 6 is a rear elevational view thereof.

The broken line representations of a robe hook member in the FIGS. 1-5 and or rear mounting structure in FIG. 6 are for the purpose of illustration only, and form no part of the claimed design.

FIGS. 2 through 6 are shown on a reduced scale.

1 Claim, 2 Drawing Sheets



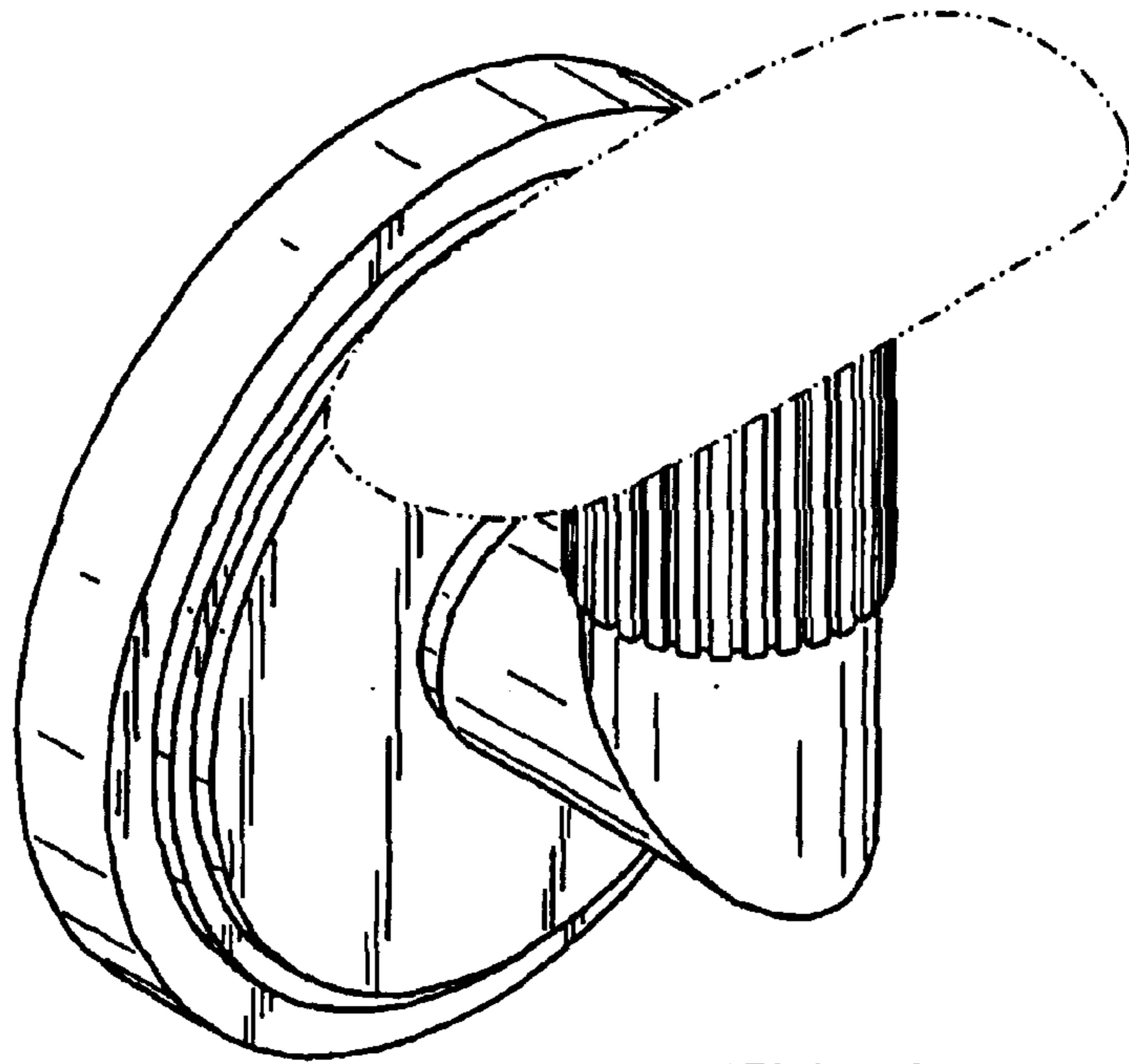


FIG. 1

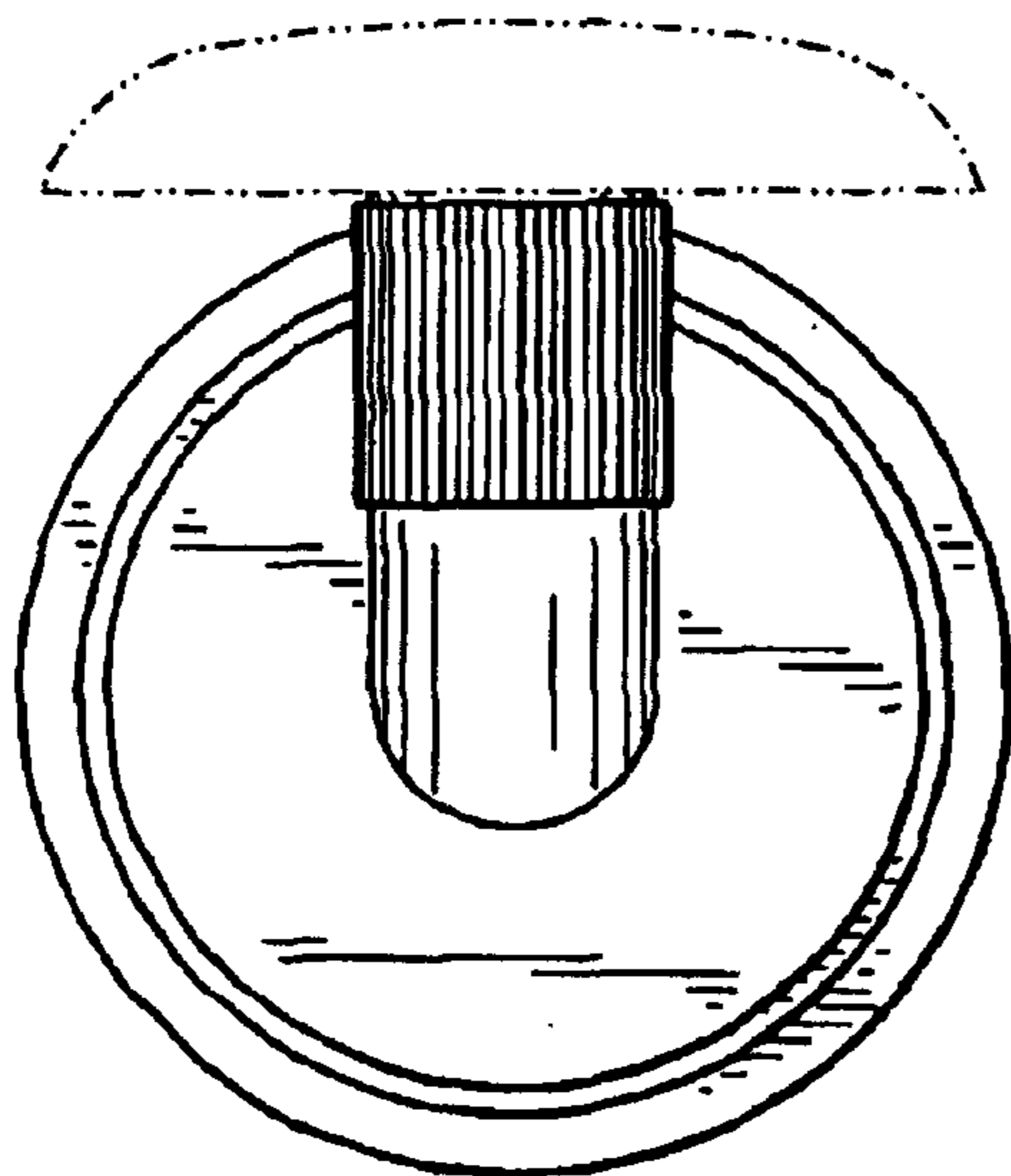


FIG. 2

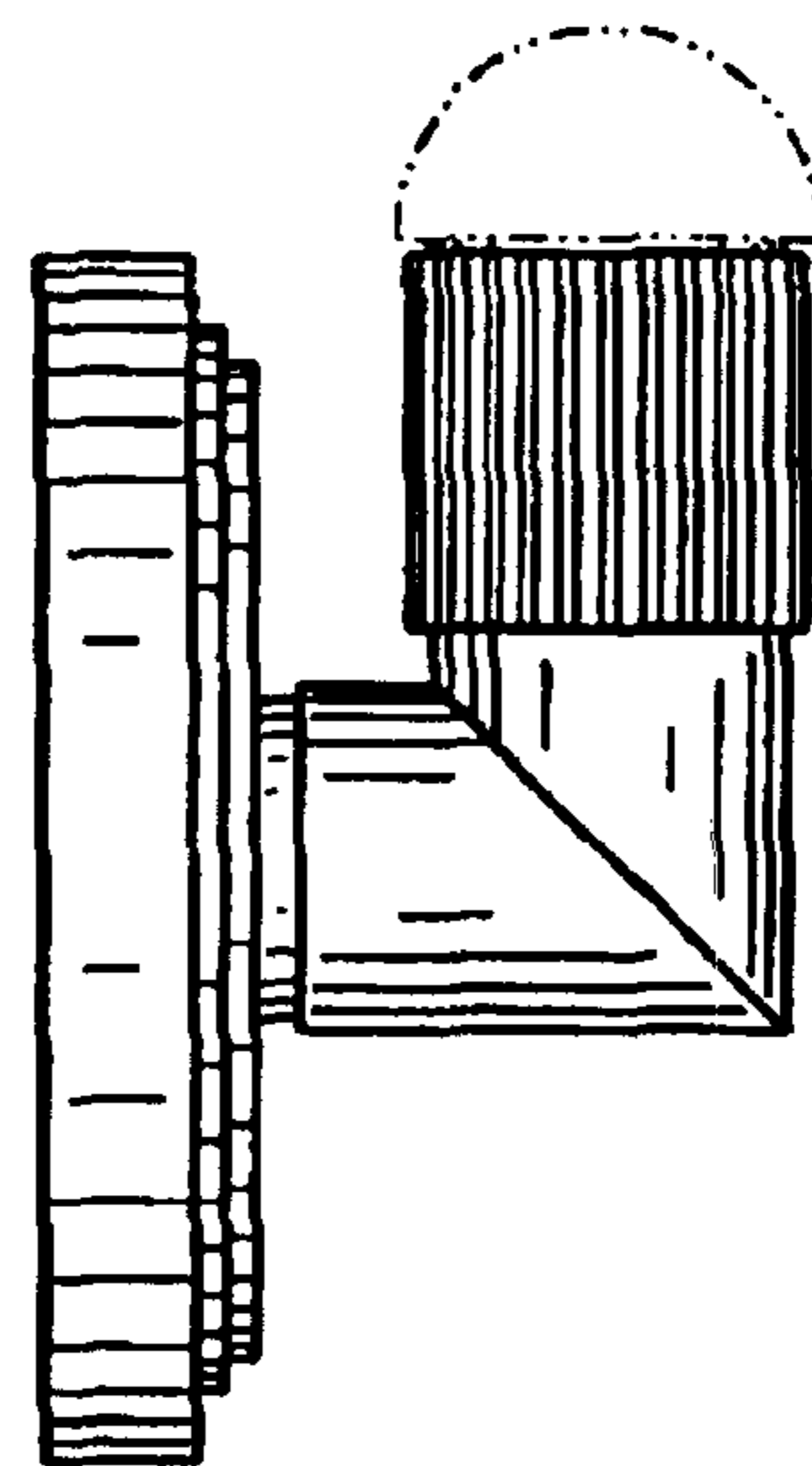


FIG. 3

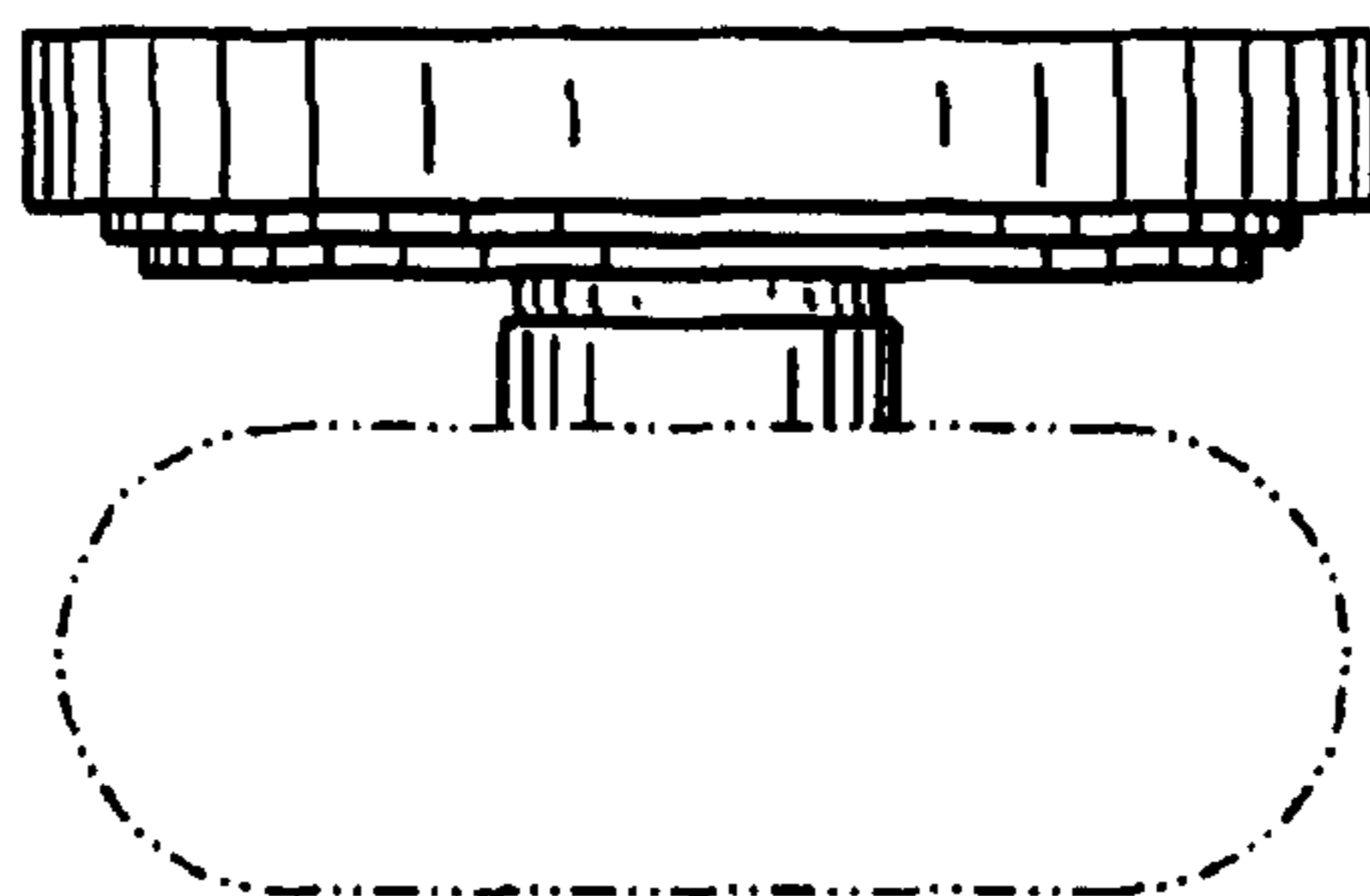


FIG. 4

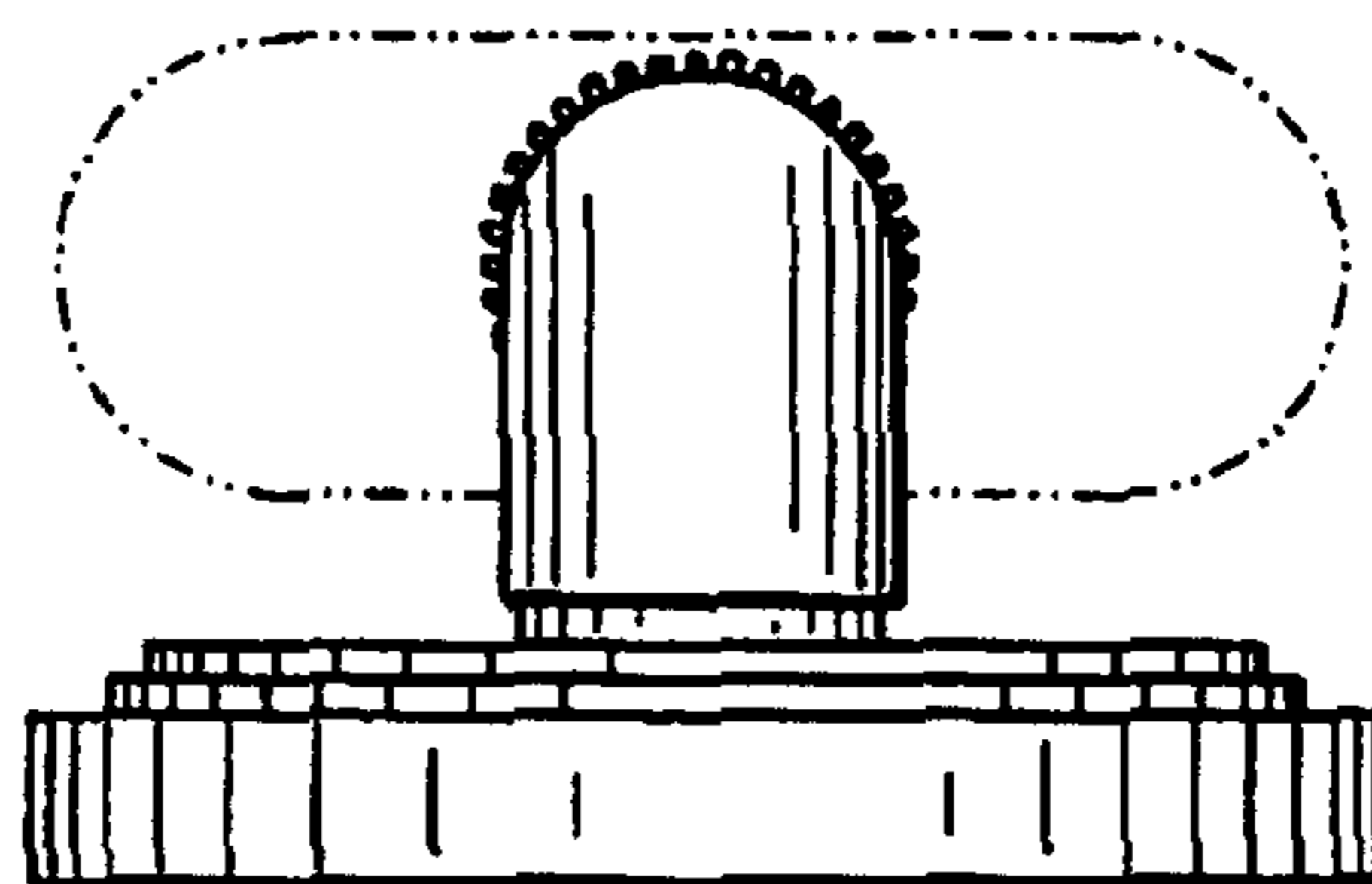


FIG. 5

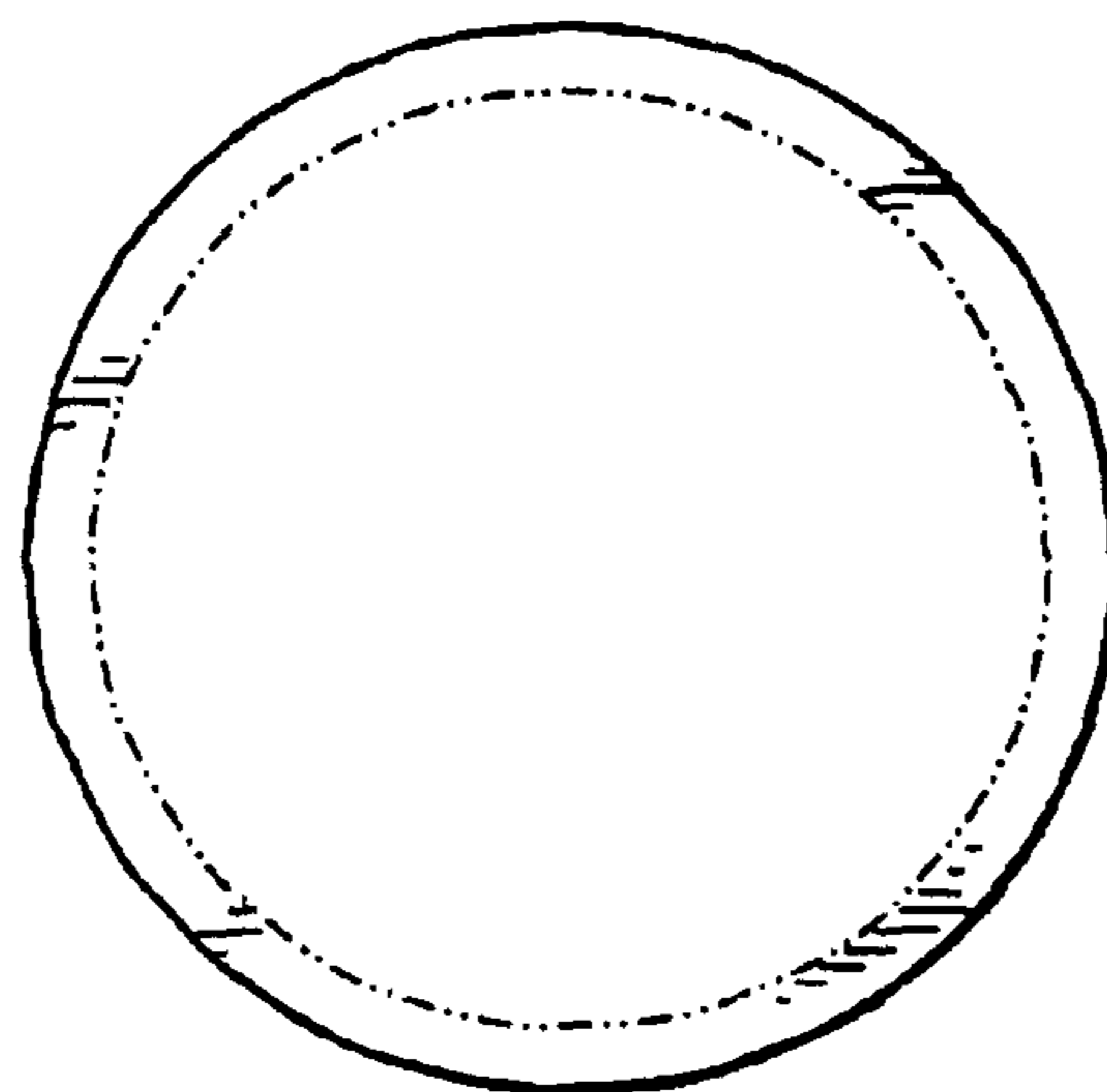


FIG. 6

UNITED STATES PATENT AND TRADEMARK OFFICE
CERTIFICATE OF CORRECTION

PATENT NO. : Des. 541,057 S
APPLICATION NO. : 29/229234
DATED : April 24, 2007
INVENTOR(S) : Laura K. Kirar

Page 1 of 1

It is certified that error appears in the above-identified patent and that said Letters Patent is hereby corrected as shown below:

Title Page, in the Description, Line 2 following the description of Fig. 6.

“the FIGS. 1-5 and or rear mounting” should read --the FIGS. 1-5 and of rear mounting--.

Signed and Sealed this

Eighteenth Day of December, 2007

A handwritten signature in black ink on a light gray dotted background. The signature reads "Jon W. Dudas" in a cursive style.

JON W. DUDAS

Director of the United States Patent and Trademark Office