



US00D541056S

(12) **United States Design Patent**
Magwood

(10) **Patent No.:** **US D541,056 S**

(45) **Date of Patent:** **** Apr. 24, 2007**

(54) **BELT HANGER**

(76) Inventor: **John H. Magwood**, 1030 NW. 182nd Ave., Miami, FL (US) 33169-4248

(**) Term: **14 Years**

(21) Appl. No.: **29/261,868**

(22) Filed: **Jun. 21, 2006**

(51) **LOC (8) Cl.** **06-08**

(52) **U.S. Cl.** **D6/315**

(58) **Field of Classification Search** D6/315,
D6/316, 318, 323, 326, 328; 211/13.1, 85.3;
223/85-98

See application file for complete search history.

(56) **References Cited**

U.S. PATENT DOCUMENTS

D179,677 S	*	2/1957	Crill	D6/326
D275,437 S	*	9/1984	Mize	D6/315
D318,378 S	*	7/1991	Baekgaard, Sr.	D6/315
D321,795 S	*	11/1991	Winston	D6/328
D357,777 S	*	4/1995	Bray	D32/58
D360,533 S	*	7/1995	Williams	D6/315

5,642,841 A	*	7/1997	Beaty	223/85
D394,557 S	*	5/1998	Wilcox	D6/318
D411,373 S	*	6/1999	McKinney	D6/315
5,950,884 A	*	9/1999	Payne	223/85

* cited by examiner

Primary Examiner—Stella Reid

Assistant Examiner—Sandra C. Hill

(74) *Attorney, Agent, or Firm*—McHale & Slavin PA

(57) **CLAIM**

The ornamental design for a belt hanger, as shown and described.

DESCRIPTION

FIG. 1 is a front perspective view of the belt hanger of the instant invention;

FIG. 2 is a front plan view of the instant invention;

FIG. 3 is a rear plan view of the instant invention;

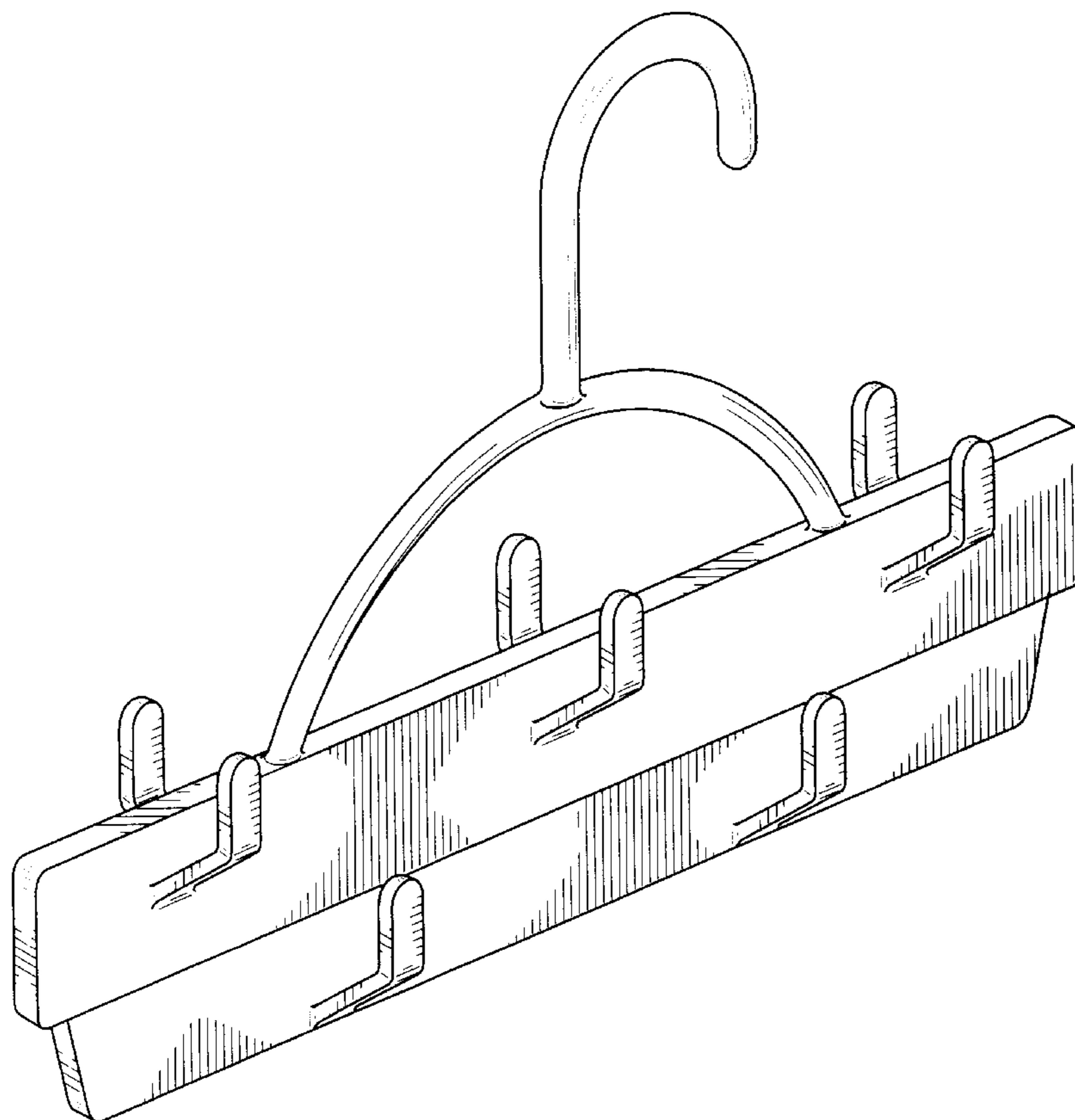
FIG. 4 is a right end view of the instant invention;

FIG. 5 is a left end view of the instant invention;

FIG. 6 is a top view of the instant invention; and,

FIG. 7 is bottom view of the instant invention.

1 Claim, 5 Drawing Sheets



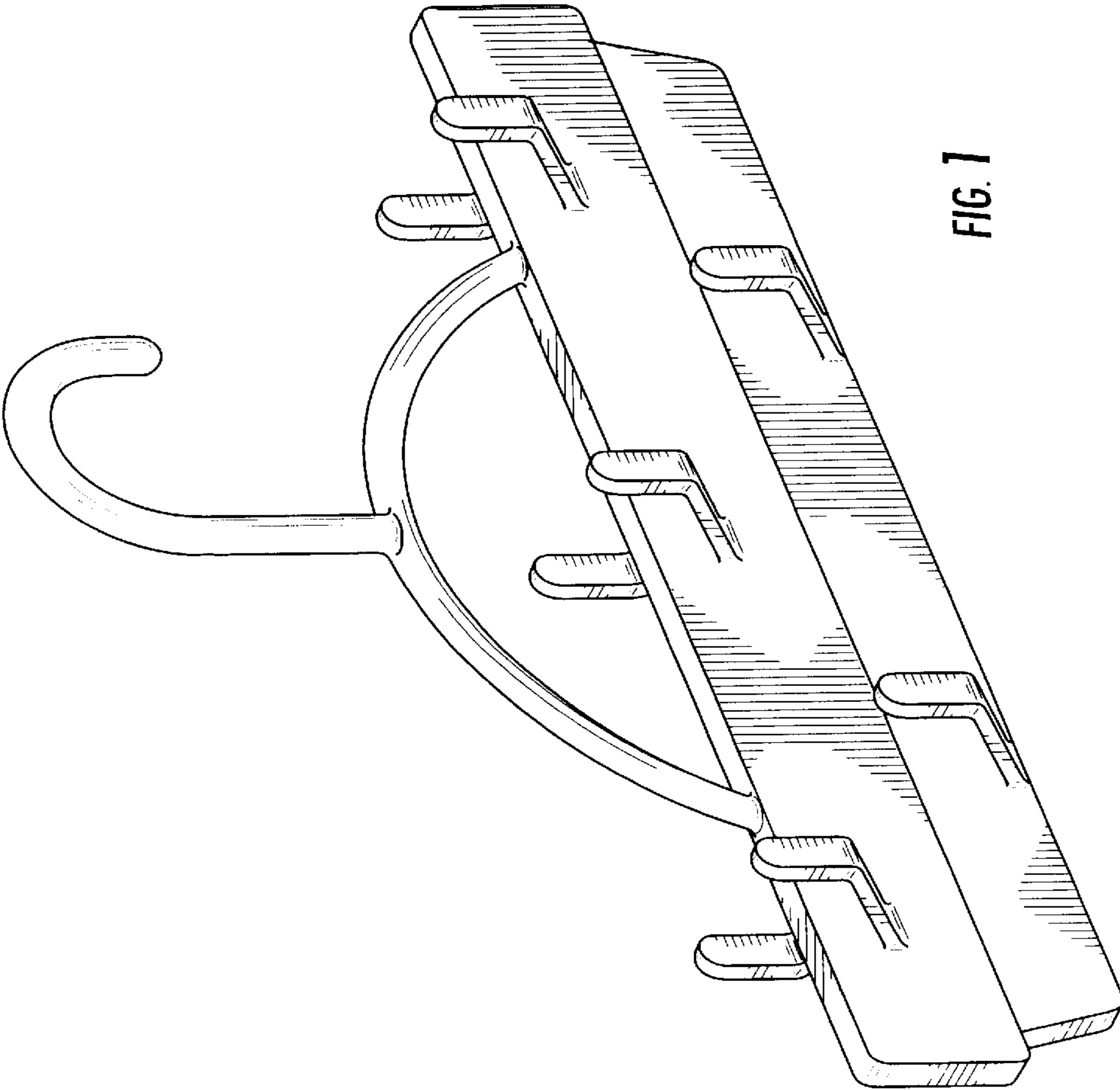


FIG. 1

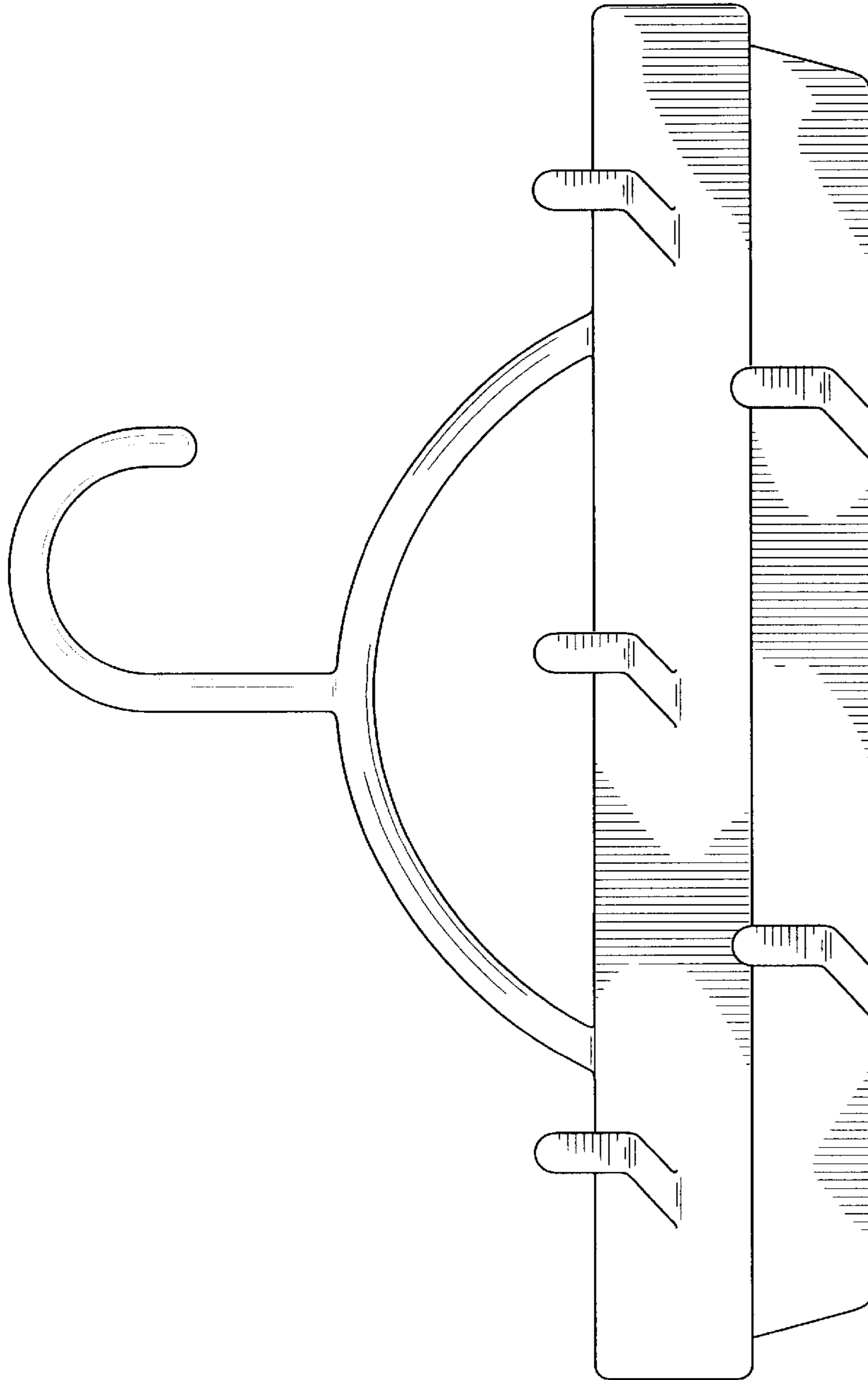


FIG. 2

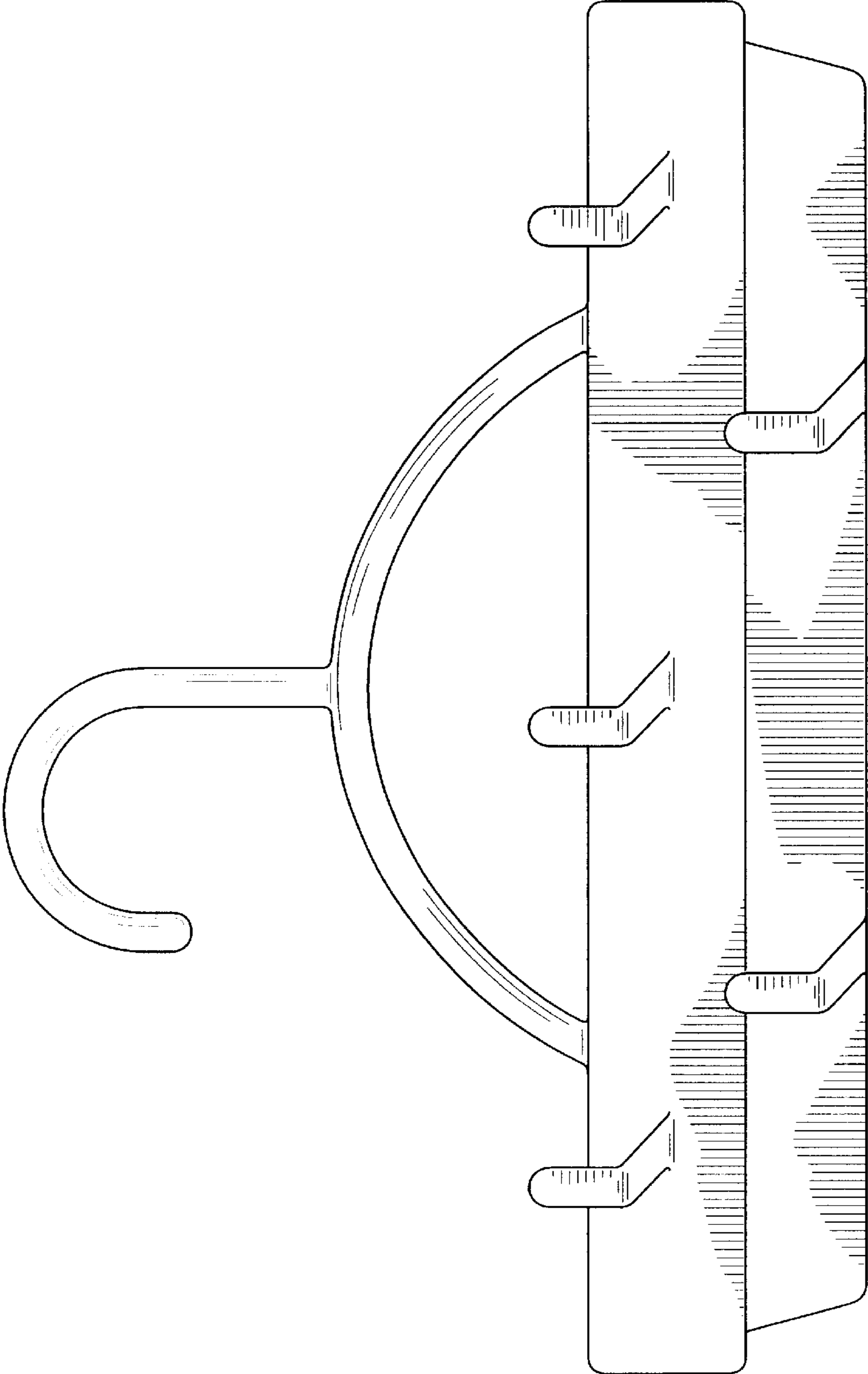


FIG. 3

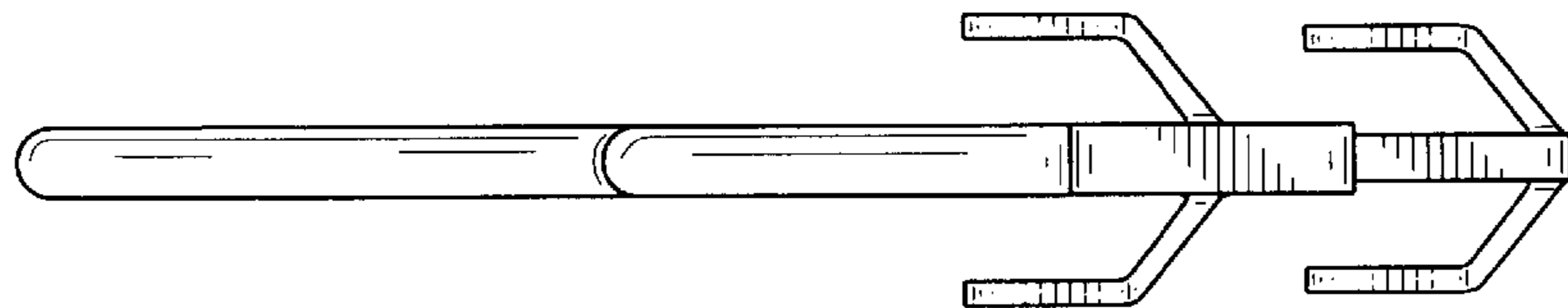


FIG. 5

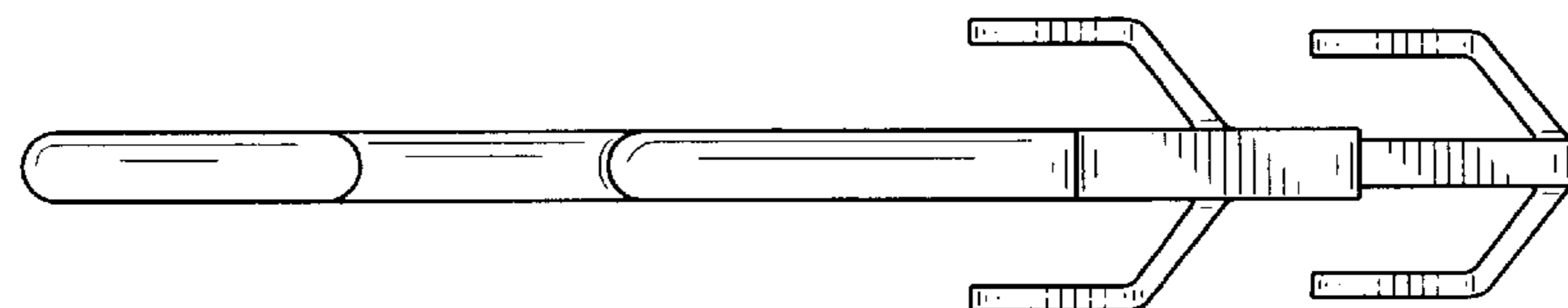


FIG. 4

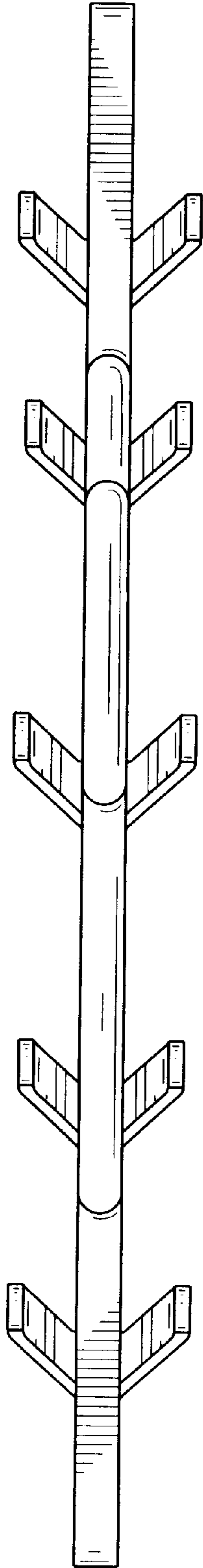


FIG. 6

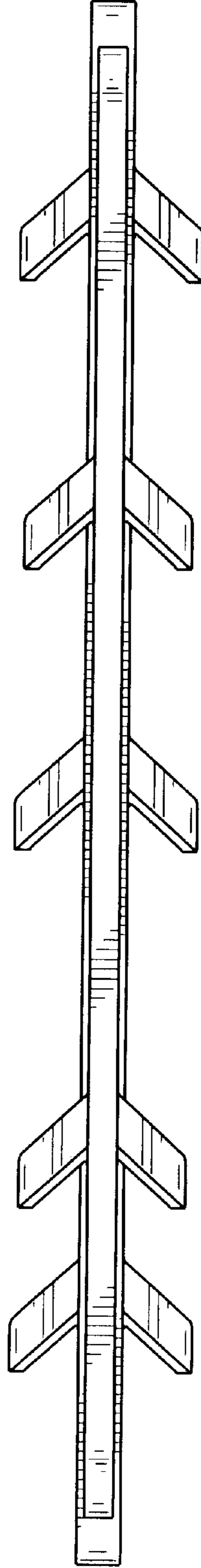


FIG. 7