



US00D541050S

(12) **United States Design Patent**
Leung

(10) **Patent No.:** **US D541,050 S**

(45) **Date of Patent:** **** Apr. 24, 2007**

(54) **HAIR BRUSH**

D467,738 S * 12/2002 Yu D4/133
D498,059 S * 11/2004 Cheung D4/133

(75) Inventor: **Anthony Kit Lun Leung**, North Point
(HK)

FOREIGN PATENT DOCUMENTS

(73) Assignee: **Conair Corporation**, Stamford, CT
(US)

KR 156333-1 S * 4/1998

(**) Term: **14 Years**

* cited by examiner

(21) Appl. No.: **29/263,851**

Primary Examiner—Alan P. Douglas
Assistant Examiner—Lavone D. Tabor

(22) Filed: **Jul. 31, 2006**

(74) *Attorney, Agent, or Firm*—Lawrence Cruz; Steven A. Garner

(51) **LOC (8) Cl.** **04-02**

(57) **CLAIM**

(52) **U.S. Cl.** **D4/133; D4/136**

The ornamental design for a hair brush, as shown.

(58) **Field of Classification Search** D4/132–134,
D4/136, 138; D28/10, 28, 35, 37; 15/159.1,
15/160, 186–188, 191.1, 192, 193; 132/120,
132/121, 271, 313

DESCRIPTION

See application file for complete search history.

FIG. 1 is a perspective view of a hair brush showing my new design;

FIG. 2 is a front view thereof;

FIG. 3 is a rear view thereof;

FIG. 4 is a right side view thereof;

FIG. 5 is a left side view thereof;

FIG. 6 is a bottom view thereof; and,

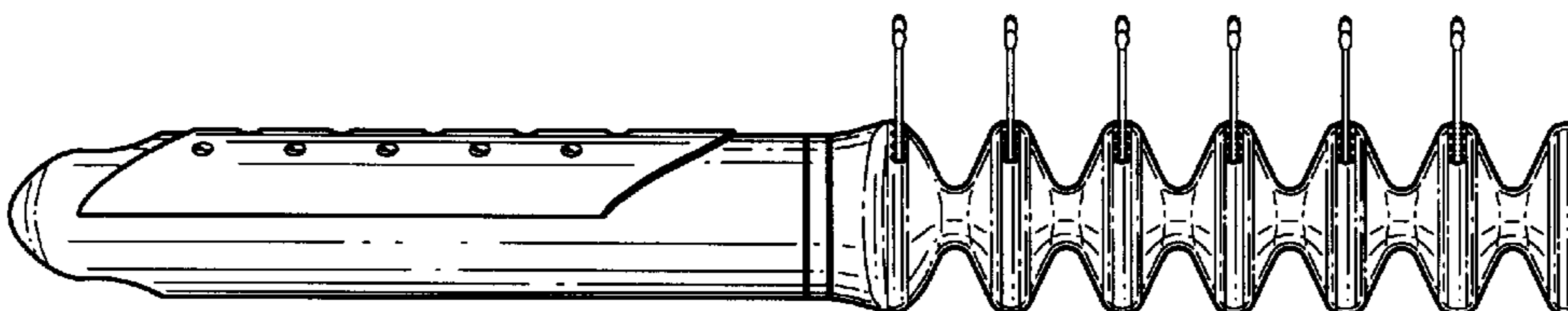
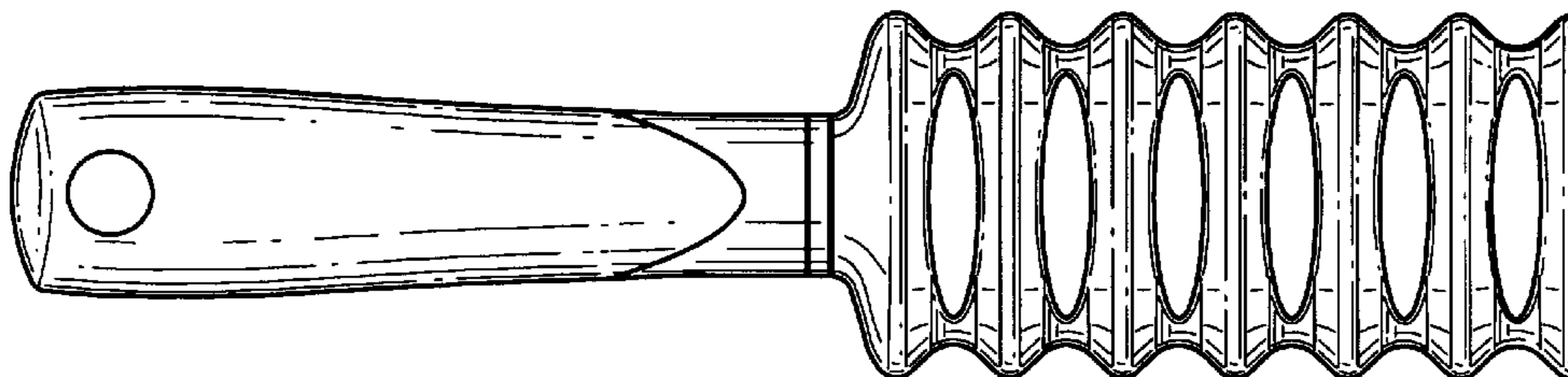
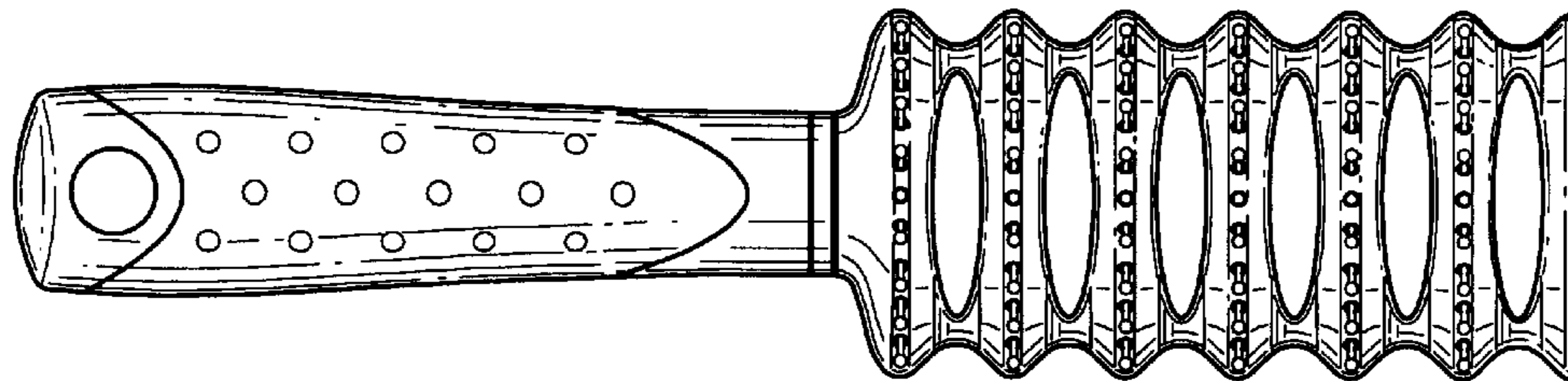
FIG. 7 is a top view.

(56) **References Cited**

U.S. PATENT DOCUMENTS

4,566,145 A * 1/1986 Wachtel 15/187 X
D290,910 S * 7/1987 Steadman et al. D4/136

1 Claim, 2 Drawing Sheets



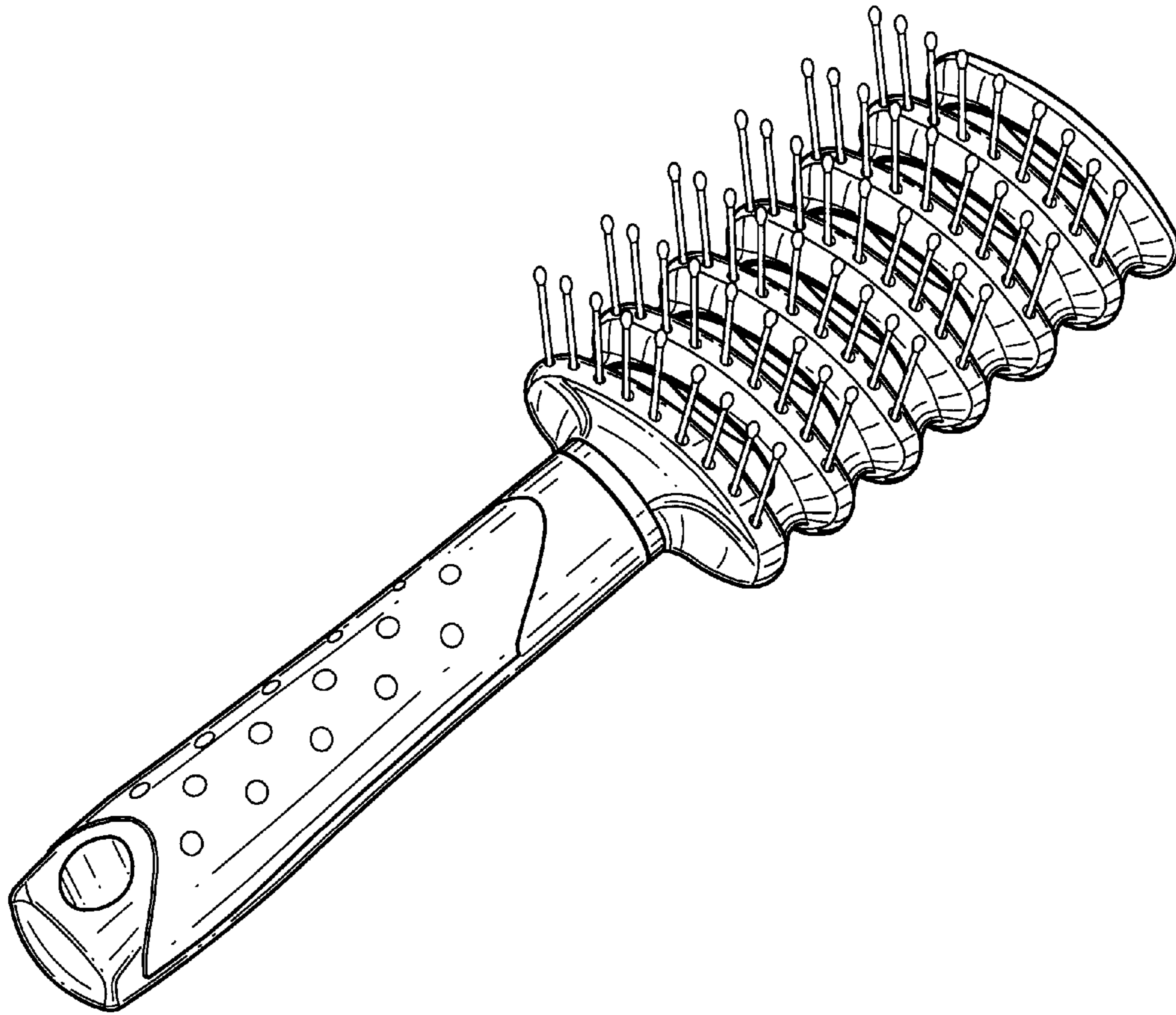


FIG. 1

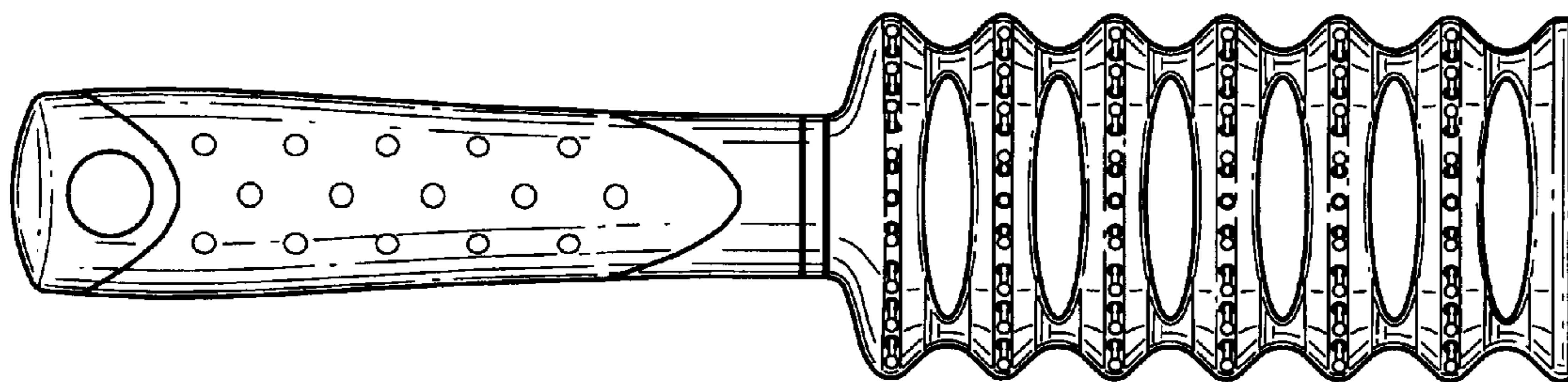


FIG. 2

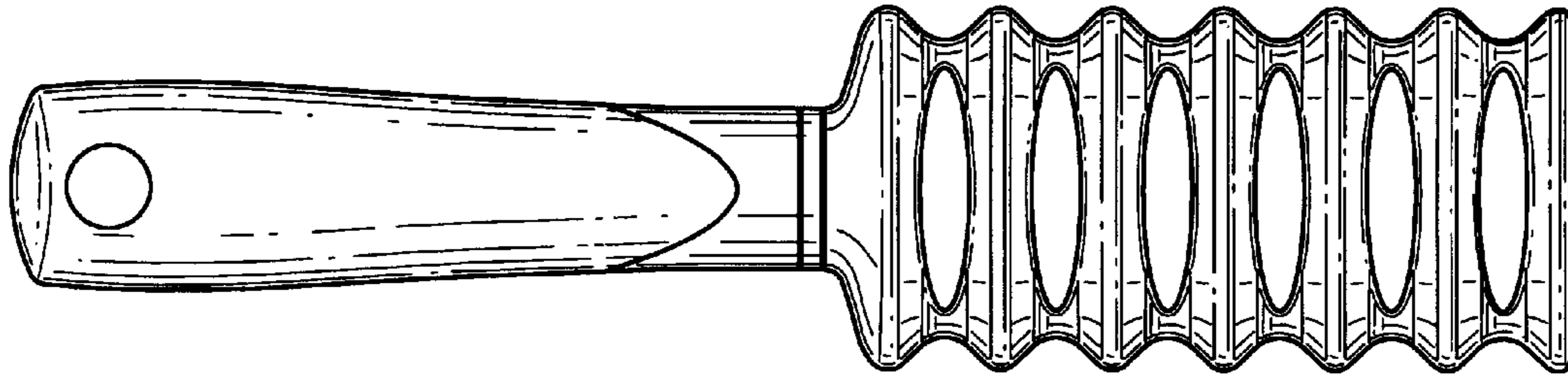


FIG. 3

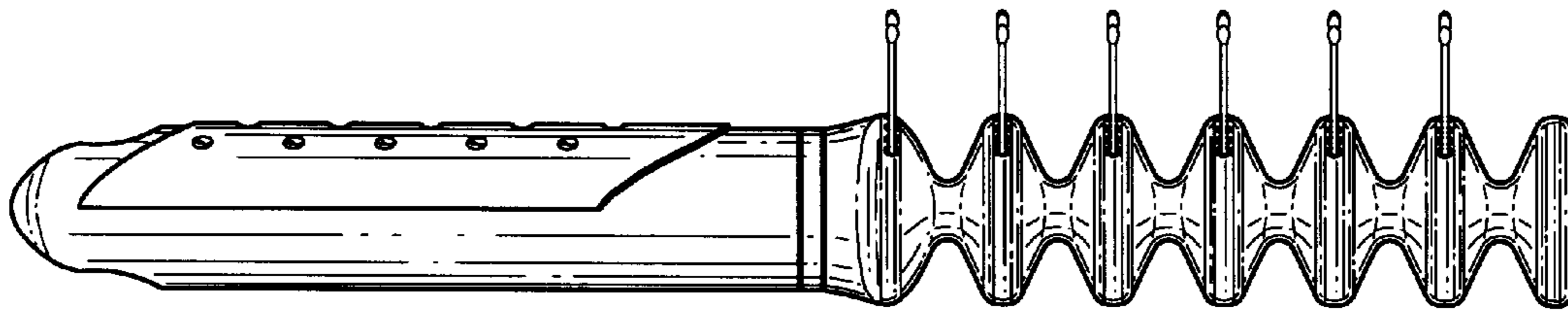


FIG. 4

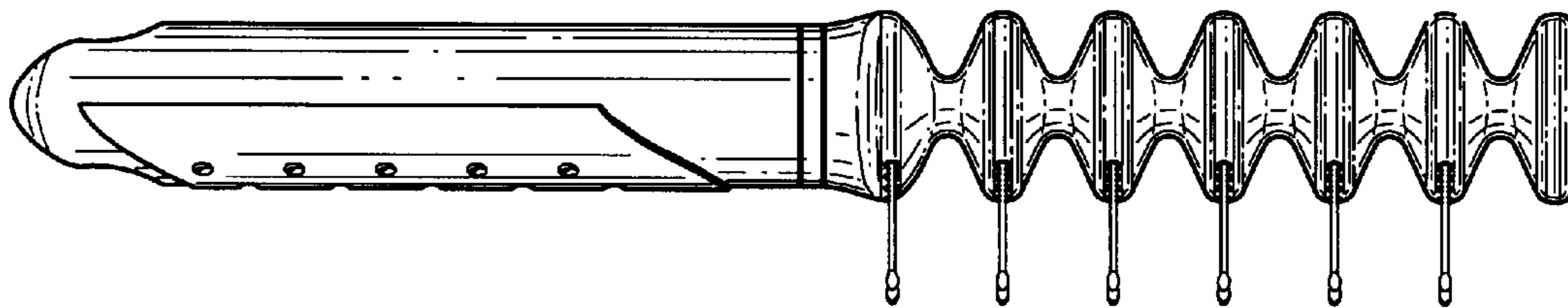


FIG. 5

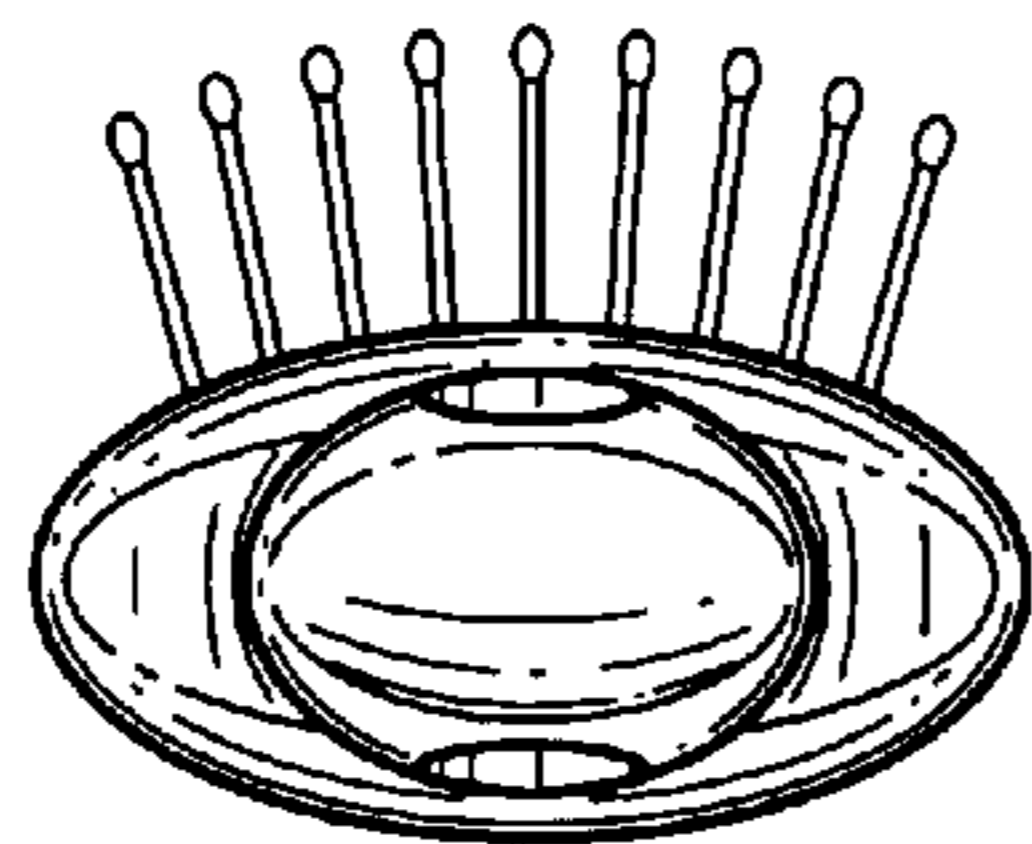


FIG. 6

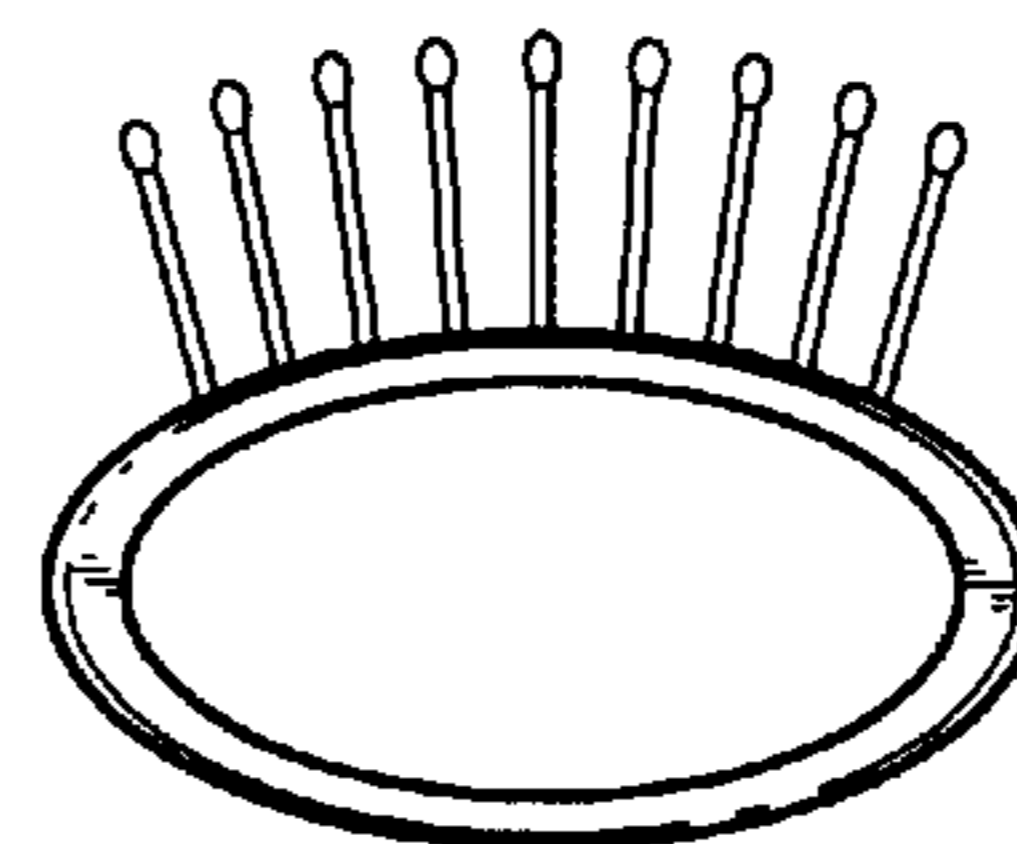


FIG. 7