

US00D541045S

(12) **United States Design Patent** (10) **Patent No.:** **US D541,045 S**
Peart et al. (45) **Date of Patent:** **** Apr. 24, 2007**

(54) **CASH BOX/SECURITY CASE**
(75) Inventors: **Roger Peart**, Hickory Hills, IL (US);
Dale Eick, Mundelein, IL (US); **Brett Vladika**, Milwaukee, WI (US); **Steven G. Melnyk**, Caledonia, WI (US);
Joshua J. Nelson, Milwaukee, WI (US)

(73) Assignee: **Block and Company, Inc.**, Wheeling, IL (US)

(**) Term: **14 Years**

(21) Appl. No.: **29/229,187**

(22) Filed: **May 4, 2005**

(51) **LOC (8) Cl.** **03-01**
(52) **U.S. Cl.** **D3/291; D3/294; D99/28**
(58) **Field of Classification Search** **D3/273, D3/276, 281, 291, 295, 900, 901, 903, 905; D99/28, 35, 43; 70/63, 231; 109/1 R, 22, 109/44-45; 206/0.81-0.82, 308.2, 349, 372-373, 206/387.11**

See application file for complete search history.

(56) **References Cited**

U.S. PATENT DOCUMENTS

2,106,911	A	*	2/1938	Garfinkel	16/405
2,544,118	A		3/1951	Went		
2,962,138	A	*	11/1960	Finkelstein	16/405
2,987,150	A	*	6/1961	Szabo	16/405
2,987,151	A	*	6/1961	Frambes	16/405
D257,800	S		1/1981	Pedersen		
4,611,711	A	*	9/1986	Warwicker	206/0.81
D291,139	S	*	7/1987	Warwicker	D99/28
D307,354	S		4/1990	Knotter et al.		
D330,913	S		11/1992	Hiomori		
5,168,987	A	*	12/1992	Warwicker	206/0.81
D333,727	S		3/1993	Schurman		
D341,935	S		12/1993	Peersmann		
D367,211	S		2/1996	Cautereels		
D367,558	S		3/1996	Lai		
D371,906	S		7/1996	Peters		
D373,901	S		9/1996	Bergstedt		
D376,691	S	*	12/1996	Naas et al.	D3/294

D386,307	S	*	11/1997	Naas et al.	D3/294
D393,526	S	*	4/1998	Robey et al.	D99/28
D399,632	S	*	10/1998	Davis et al.	D99/28
D412,786	S		8/1999	Killinger		
6,006,558	A	*	12/1999	Peters	70/63
D437,685	S		2/2001	Liu		
D440,401	S		4/2001	Pauser et al.		
D447,633	S		9/2001	Demsien et al.		
D448,931	S		10/2001	Gutierrez et al.		

(Continued)

OTHER PUBLICATIONS

Echelon cash box—MMF217701292. Downloaded Oct. 24, 2006 at http://www.shoplet.com/MMF217701292_Office_Supply_Echelon_cash_box.html.*

Primary Examiner—Philip S. Hyder
Assistant Examiner—RoseLynne (Ulm) Cody
(74) *Attorney, Agent, or Firm*—Cook, Alex, McFarron, Manzo, Cummings & Mehler, Ltd.

(57) **CLAIM**

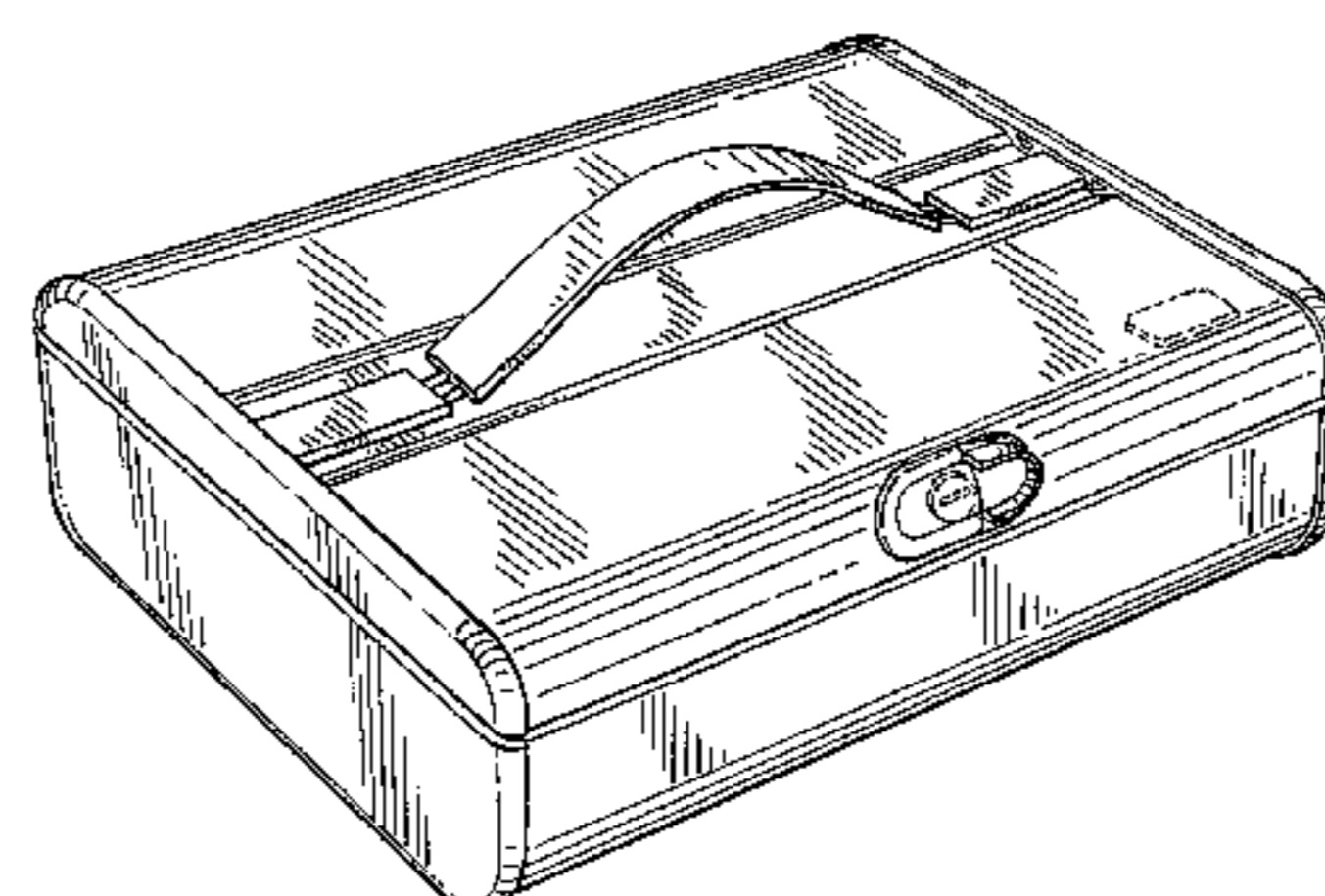
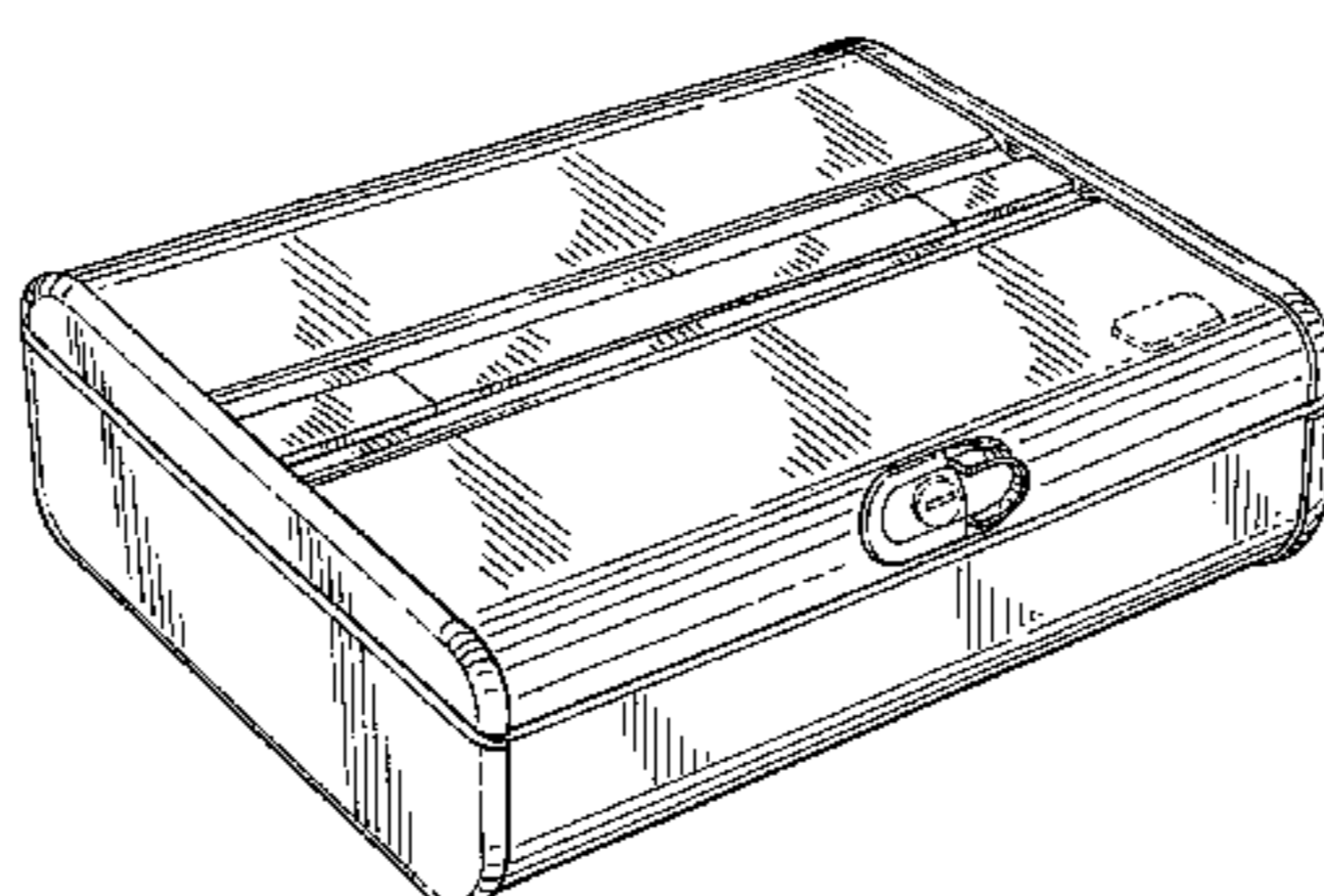
The ornamental design for a cash box/security case, as shown and described.

DESCRIPTION

FIG. 1 is a perspective view of a cash box/security case with the handle strap in its collapsed position showing our design; FIG. 2 is a top plan thereof; FIG. 3 is an elevational view of the front side thereof; FIG. 4 is an elevational view of one side thereof; FIG. 5 is an elevational view of the opposite side thereof; FIG. 6 is an elevational view of the back side thereof; FIG. 7 is a bottom plan view thereof; FIG. 8 is a perspective view of the cash box/security case with the handle strap in its extended position; and, FIG. 9 is a top plan view of the cash box/security case as shown in FIG. 8.

The circular slotted feature and the rectangular top-side feature—one or both of which are shown in phantom lines in FIGS. 1, 2, 3, 6, 8, and 9—represent portions of the design that form no part of the claim.

1 Claim, 4 Drawing Sheets



US D541,045 S

Page 2

U.S. PATENT DOCUMENTS

D449,165 S	10/2001	van der Hulst	D469,955 S	*	2/2003	Lauer	D3/294
D454,429 S	3/2002	Hussaini et al.	D474,599 S		5/2003	Shamoon	
D454,689 S	3/2002	Gonda et al.	D476,810 S		7/2003	Liebe	
D458,127 S	6/2002	de Groote	D487,192 S		3/2004	Farnham et al.	
D459,857 S	7/2002	Stoneberg	D496,585 S		9/2004	McBride et al.	
D459,886 S	7/2002	Jones	D503,503 S	*	3/2005	Perella et al.	D99/28
D469,607 S	2/2003	Wolff	2001/0034202 A1		10/2001	Nottingham et al.	

* cited by examiner

FIG. 1

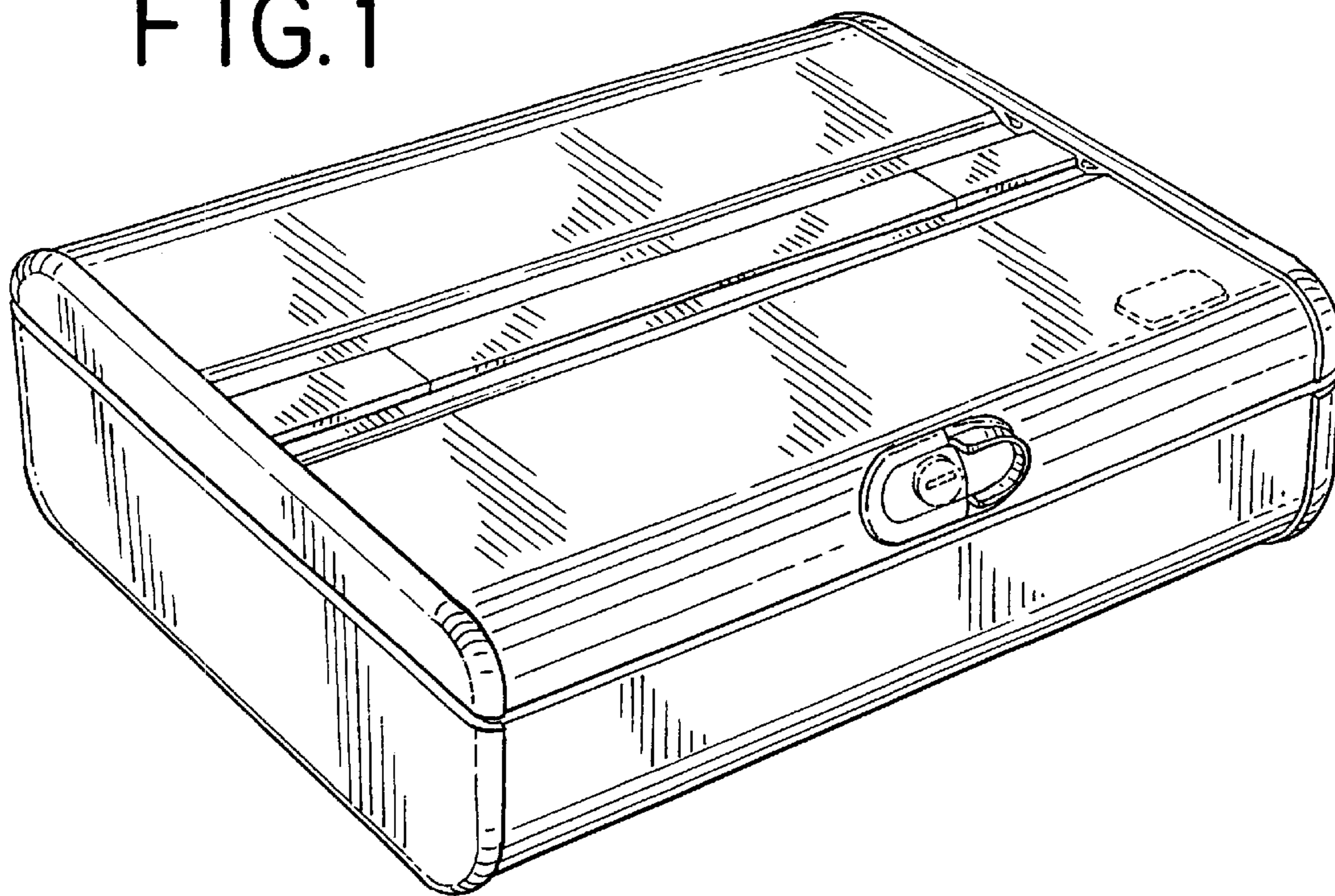


FIG. 2

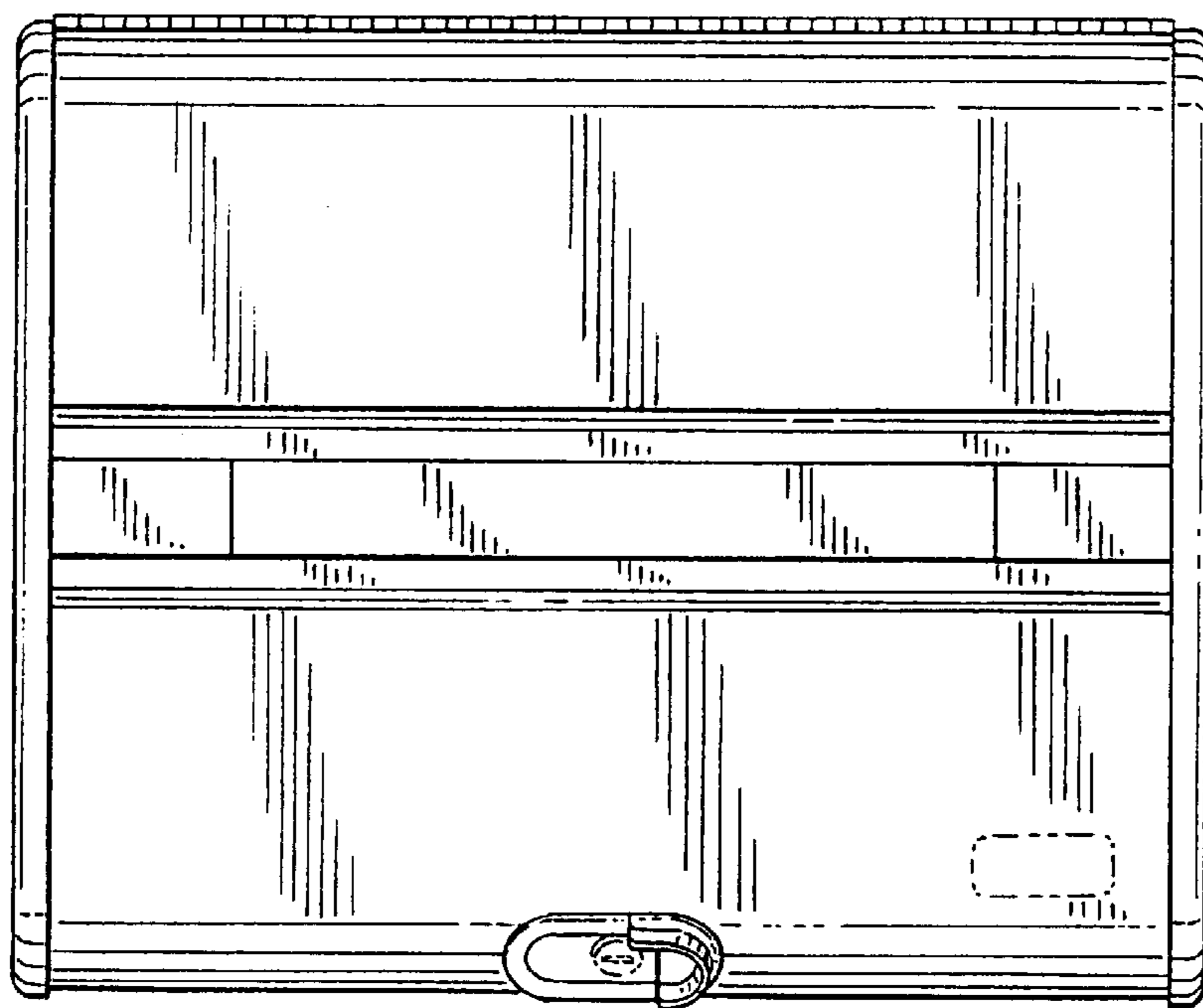


FIG. 3

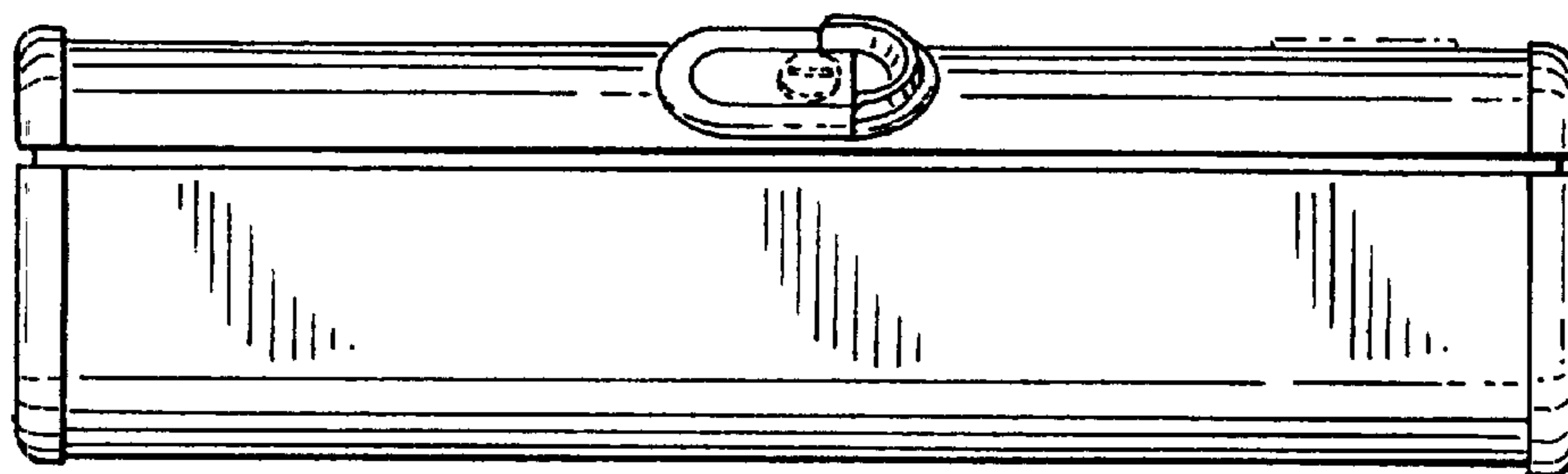


FIG. 4

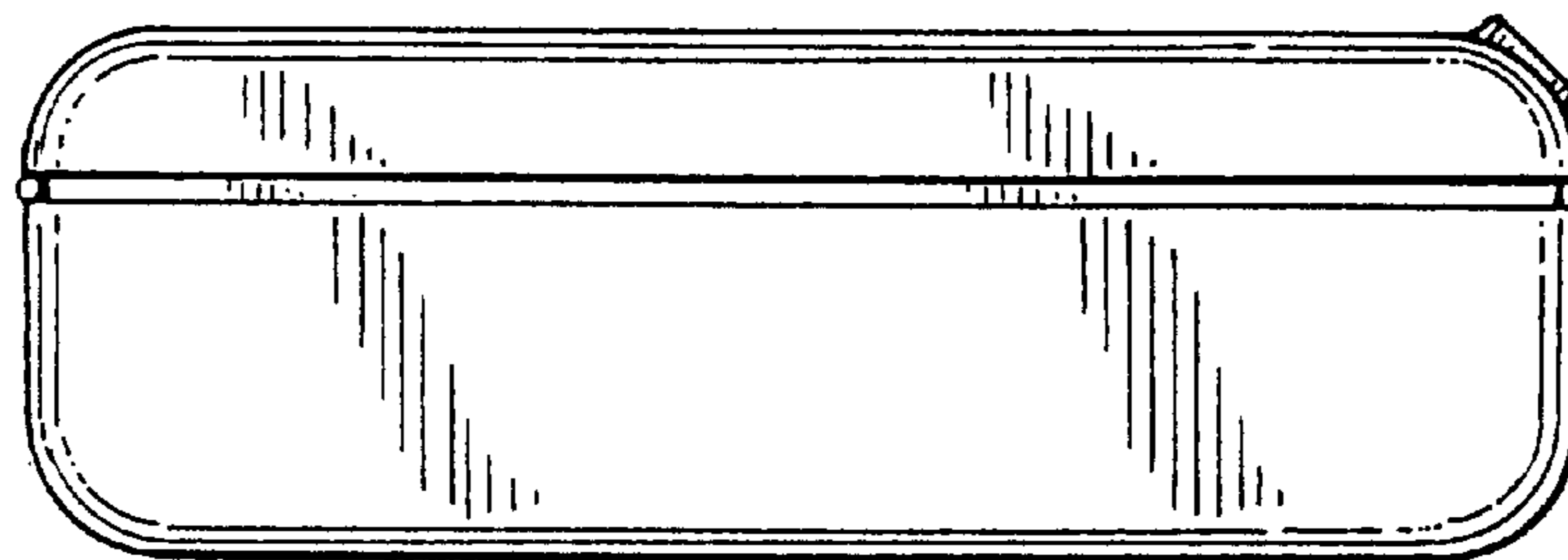


FIG. 5

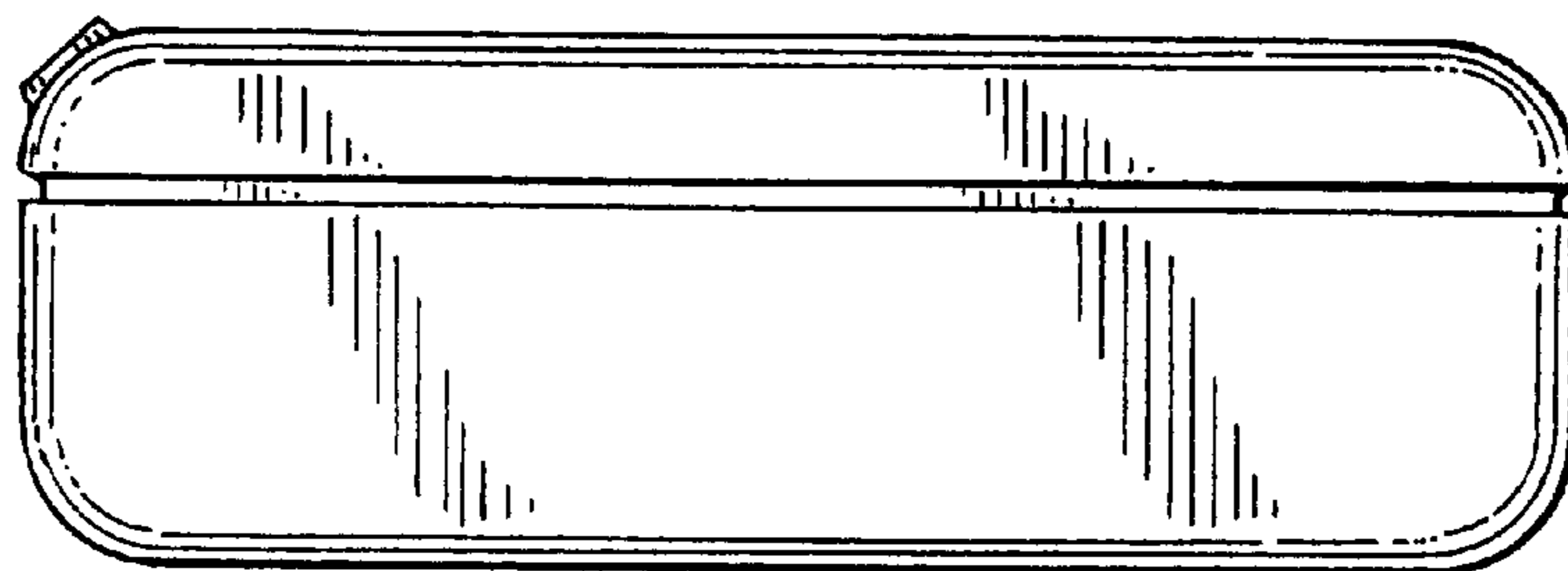


FIG. 6

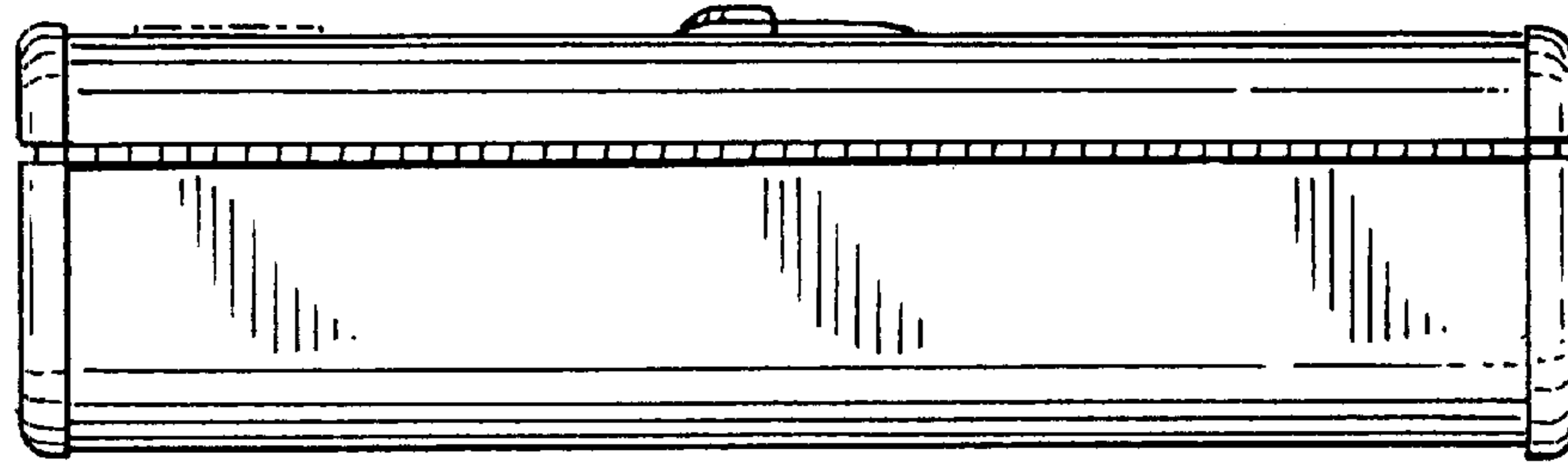


FIG. 7

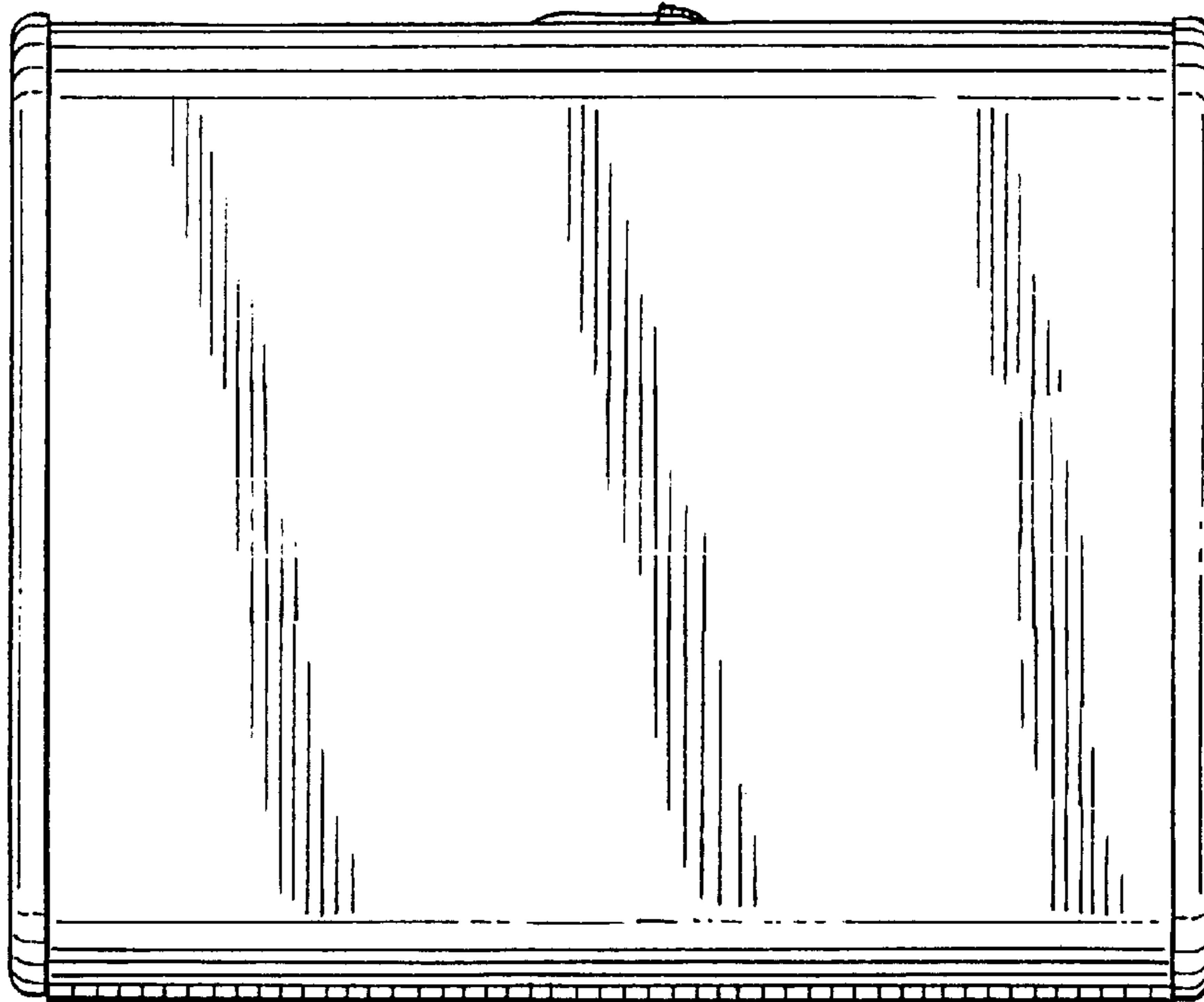


FIG. 8

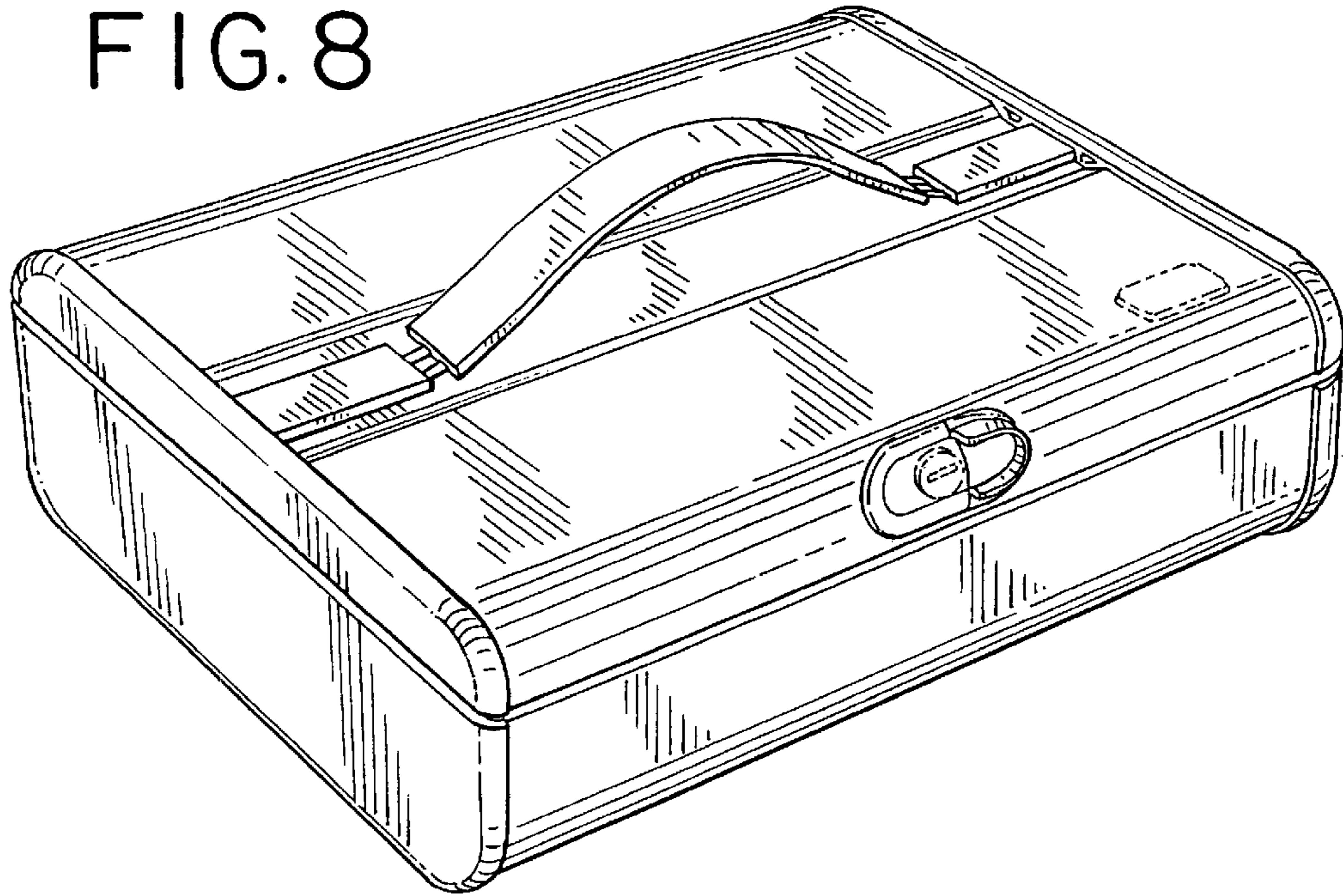


FIG. 9

