



US00D541042S

(12) **United States Design Patent**
Andre et al.

(10) **Patent No.:** **US D541,042 S**
(45) **Date of Patent:** **** Apr. 24, 2007**

(54) **ELECTRONIC DEVICE HOLDER**

(75) Inventors: **Bartley K. Andre**, Menlo Park, CA (US); **Daniel J. Coster**, San Francisco, CA (US); **Daniele De Iuliis**, San Francisco, CA (US); **Richard P. Howarth**, San Francisco, CA (US); **Jonathan P. Ive**, San Francisco, CA (US); **Duncan Robert Kerr**, San Francisco, CA (US); **Shin Nishibori**, San Francisco, CA (US); **Matthew Dean Rohrbach**, San Francisco, CA (US); **Douglas B. Satzger**, Menlo Park, CA (US); **Calvin Q. Seid**, Palo Alto, CA (US); **Christopher J. Stringer**, Portola Valley, CA (US); **Eugene Antony Whang**, San Francisco, CA (US); **Rico Zorkendorfer**, San Francisco, CA (US)

(73) Assignee: **Apple Computer, Inc.**, Cupertino, CA (US)

(**) Term: **14 Years**

(21) Appl. No.: **29/237,689**

(22) Filed: **Sep. 2, 2005**

(51) **LOC (8) Cl.** **03-01**

(52) **U.S. Cl.** **D3/218**

(58) **Field of Classification Search** D3/218,
D3/215, 219, 220–223; 224/219, 221–222,
224/267, 231, 246

See application file for complete search history.

(56) **References Cited**

U.S. PATENT DOCUMENTS

D306,654 S	3/1990	Brown	D3/218
4,913,326 A *	4/1990	Echelson	224/222
5,511,702 A *	4/1996	Yang	224/219
D370,120 S *	5/1996	Teraoka	D3/220
D375,197 S	11/1996	Laherty	D3/218
D426,701 S	6/2000	Edwards et al.	D3/218
D431,250 S	9/2000	Richter	D14/447

6,321,957 B1 *	11/2001	Rossi	224/221
D455,255 S	4/2002	Zeigler	D3/218
D474,594 S *	5/2003	Casparian	D3/218
D476,149 S	6/2003	Andre et al.	D3/218
D503,038 S	3/2005	Tabata	D3/218

(Continued)

Primary Examiner—Catherine R. Oliver

(74) *Attorney, Agent, or Firm*—Beyer Weaver LLP

(57) **CLAIM**

We claim the ornamental design for an electronic device holder, substantially as shown and described.

DESCRIPTION

FIG. 1 is a perspective view of an electronic device holder in accordance with the present design. The electronic device holder can, for example, be an electronic device holder for a handheld electronic device such as media player, media storage device, cell phone, PDA and/or the like.

FIG. 2 is a front view for the electronic device holder shown broken away;

FIG. 3 is a rear view for the electronic device holder shown broken away;

FIG. 4 is a top view for the electronic device holder shown broken away;

FIG. 5 is a bottom view for the electronic device holder shown broken away;

FIG. 6 is a right side view for the electronic device holder.

FIG. 7 is a left side view for the electronic device holder.

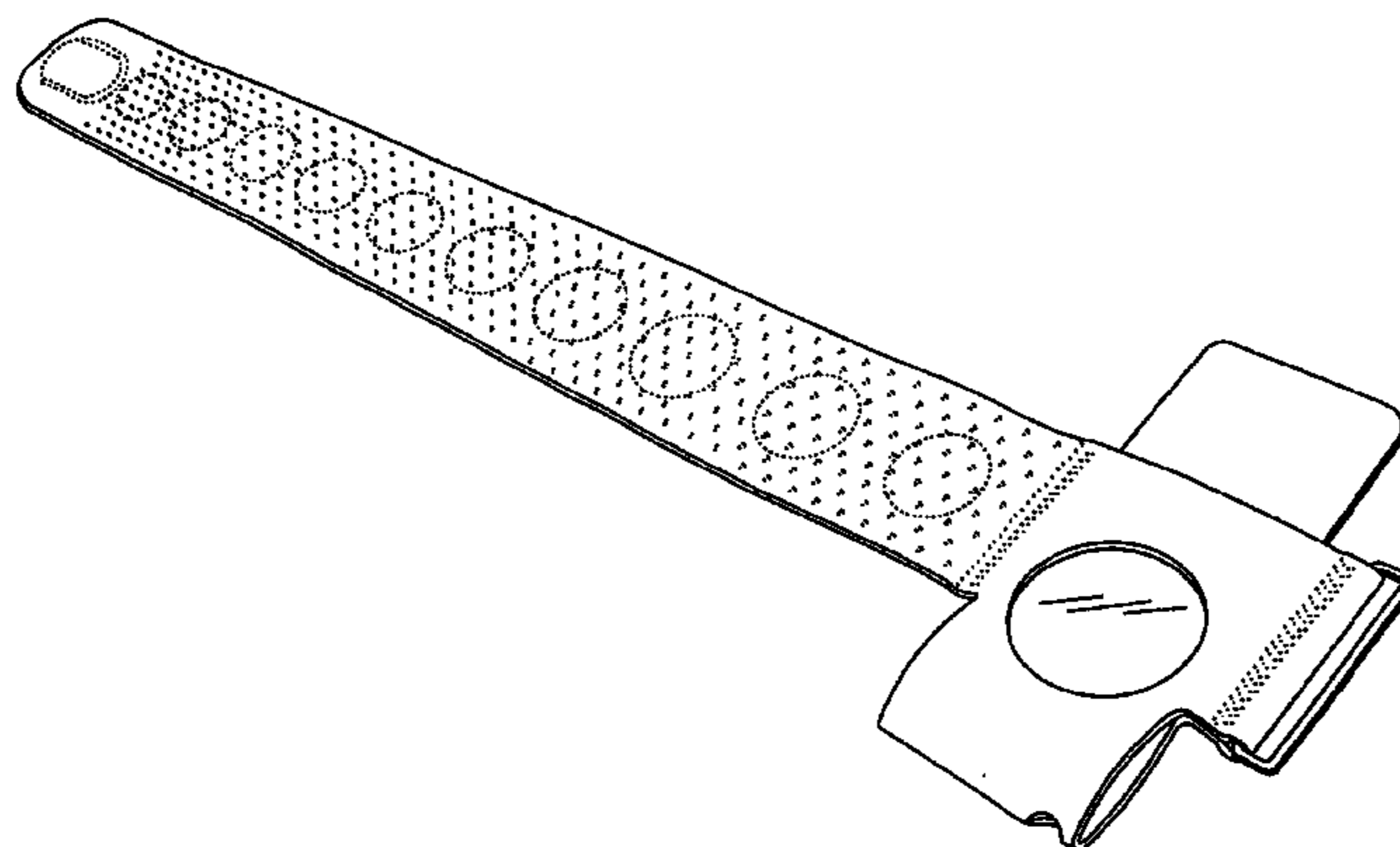
FIG. 8 is a partial front view of the electronic device holder with an electronic device being inserted therein; and,

FIG. 9 is a partial front view of the electronic device holder with the electronic device inserted therein.

The electronic device shown in FIGS. 8 and 9 may for example correspond to the media device shown and described in U.S. Design patent application No.: 29/237,090, titled “Media Device,” filed Aug. 24, 2005, which is herein incorporated by reference.

The broken line showing of environment in the drawing figures is for illustrative purposes only and forms no part of the claimed design.

1 Claim, 5 Drawing Sheets



US D541,042 S

Page 2

U.S. PATENT DOCUMENTS		2003/0019894 A1	1/2003	Caldana	224/165		
D504,224 S	4/2005	Sexson	D3/228	2006/0076375 A1 *	4/2006	Bhakta	224/222
D506,058 S	6/2005	Sexson	D3/218	* cited by examiner			

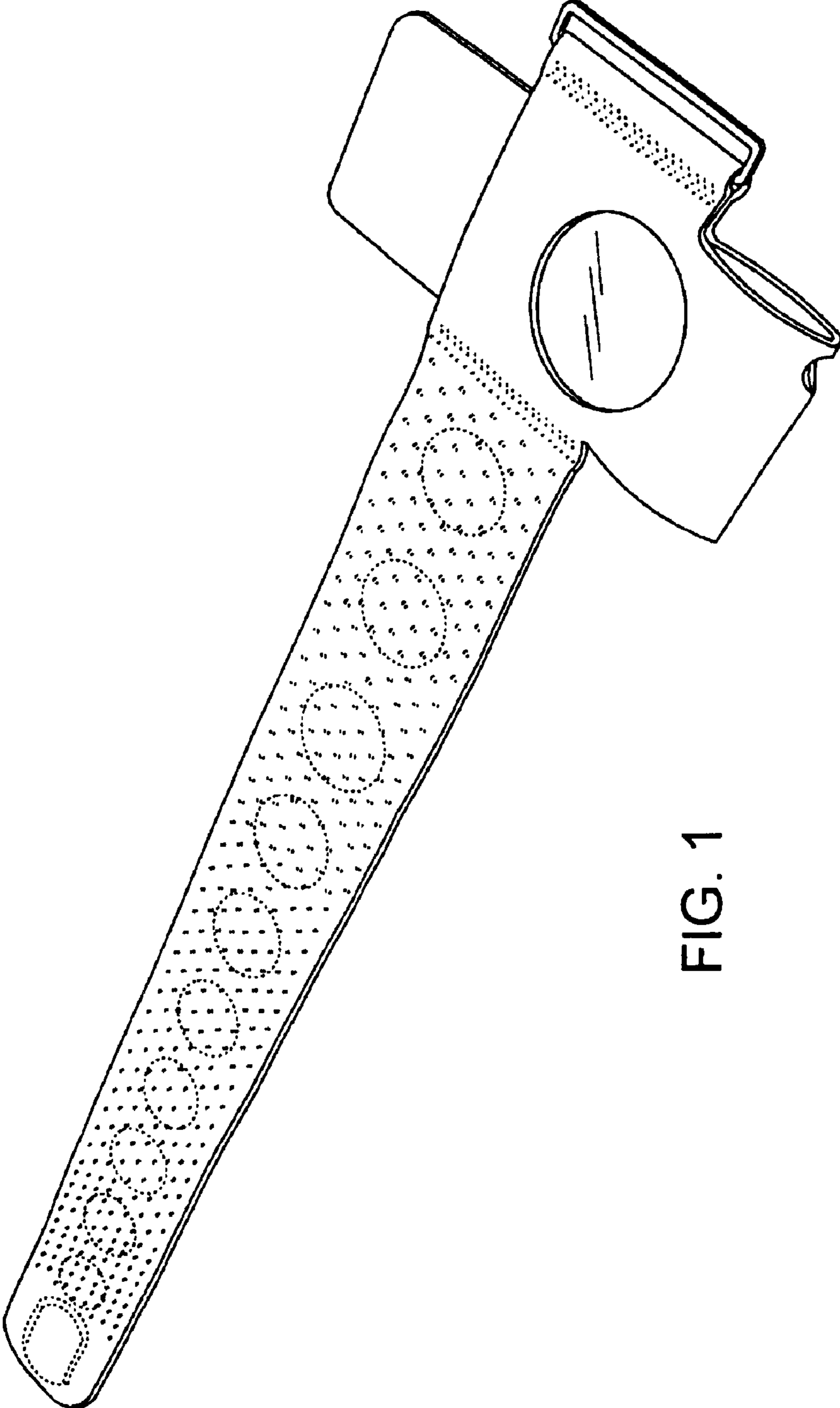


FIG. 1

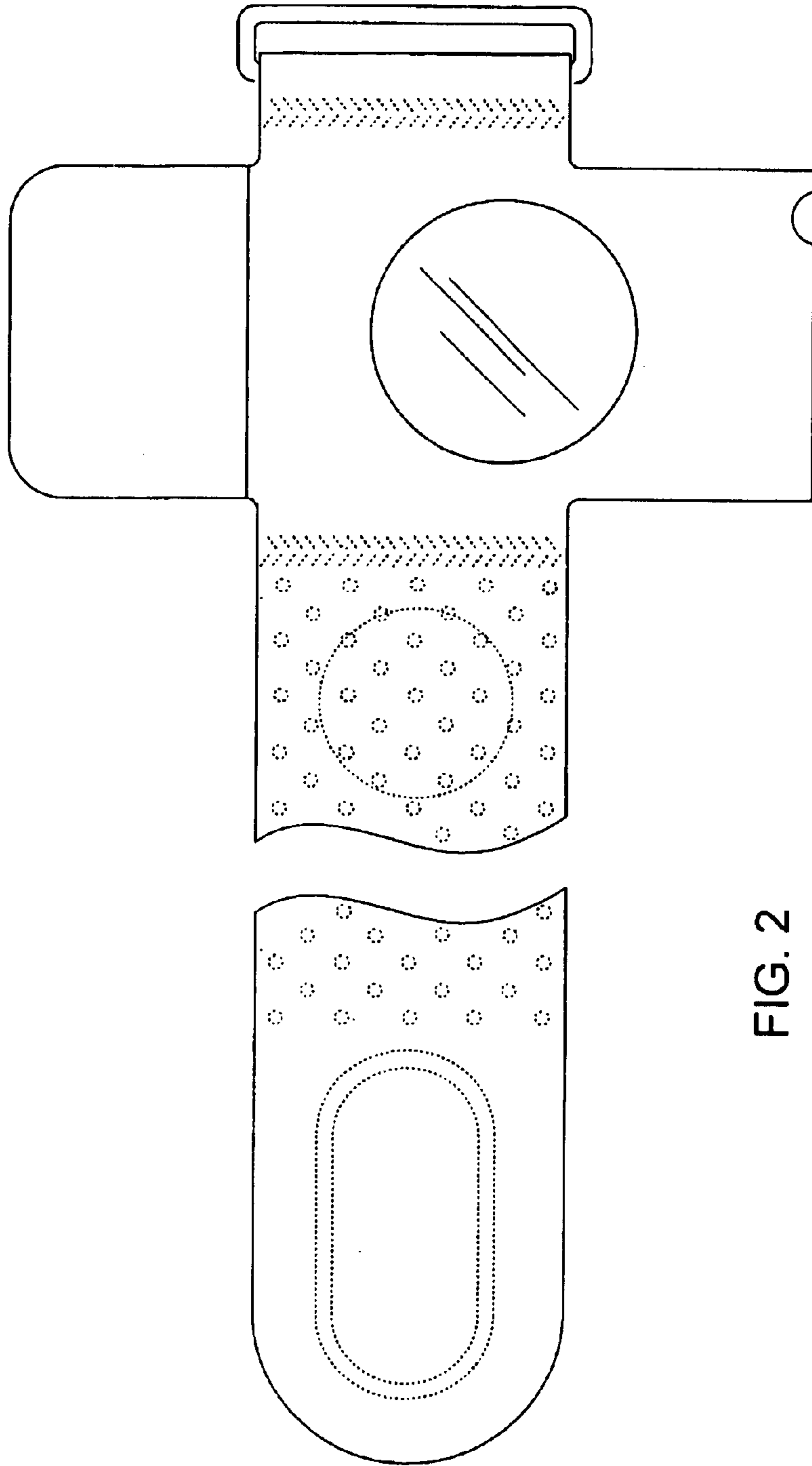


FIG. 2

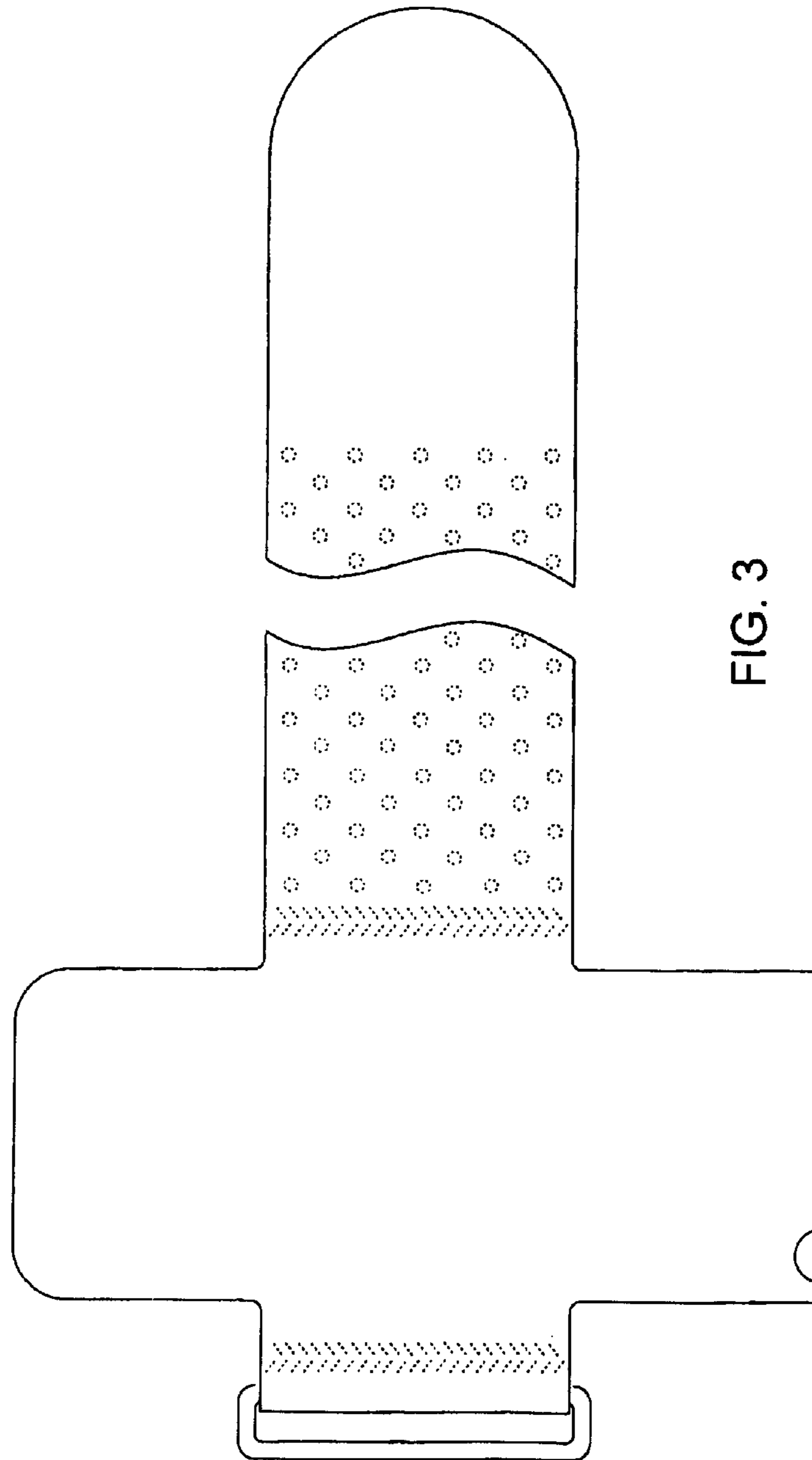


FIG. 3

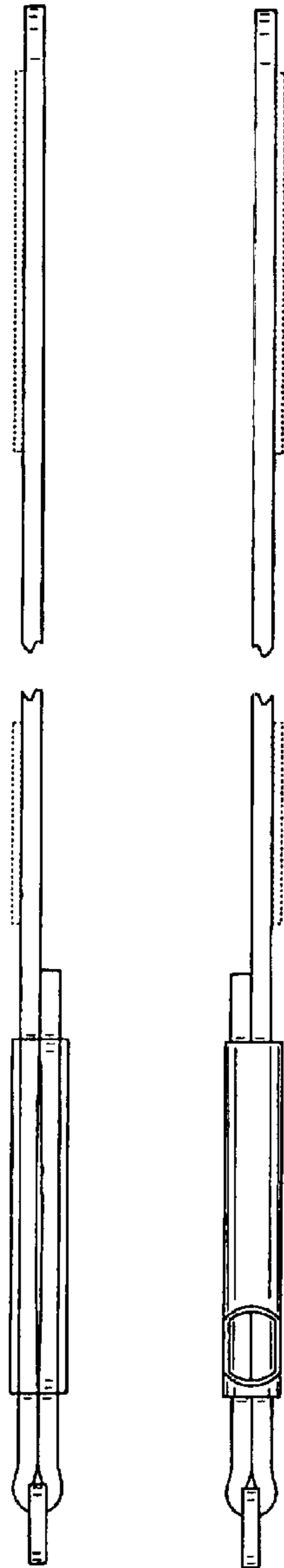


FIG. 4 FIG. 5



FIG. 6



FIG. 7

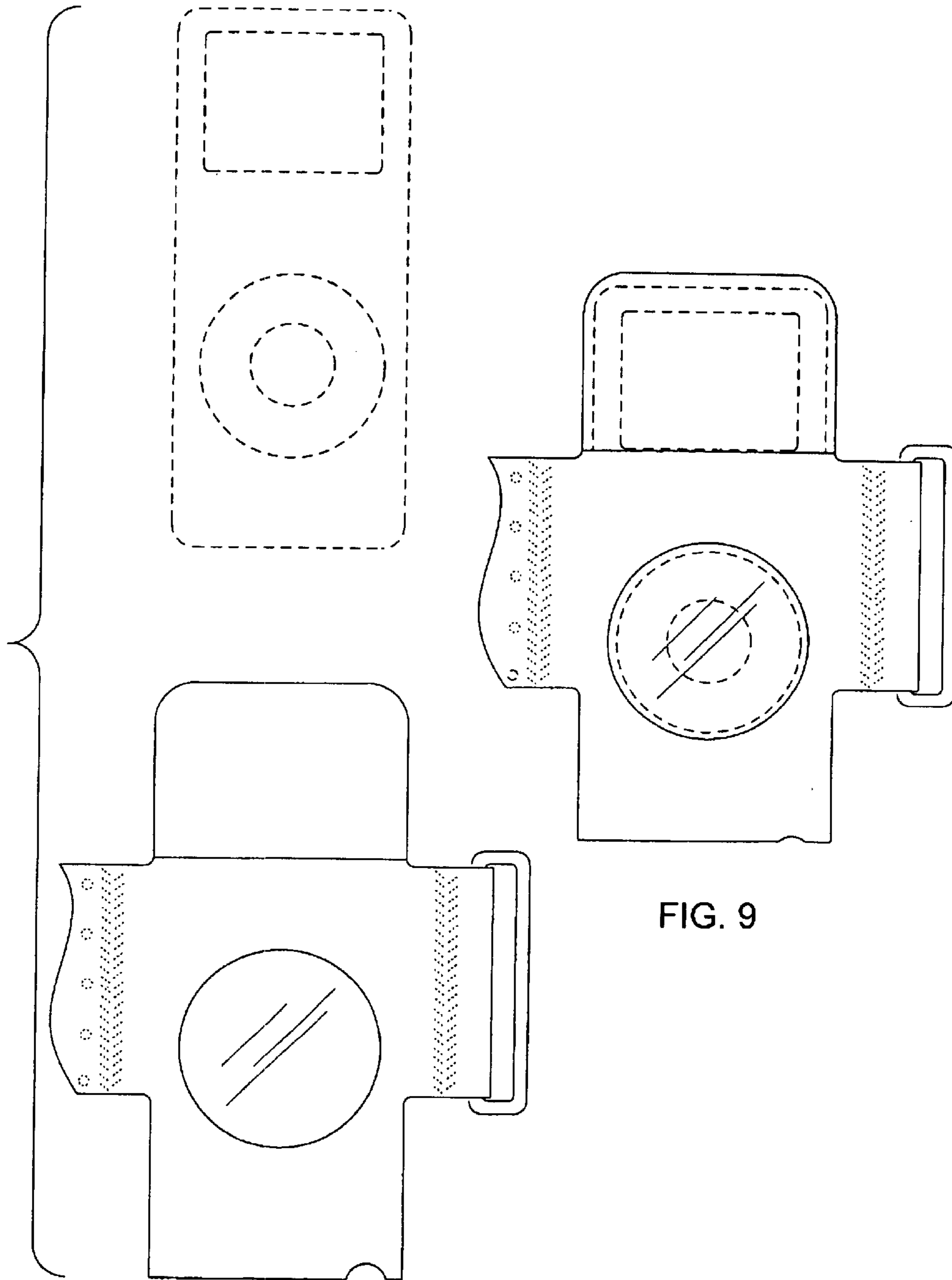


FIG. 8

FIG. 9