



US00D541041S

(12) **United States Design Patent**
Rich

(10) **Patent No.:** **US D541,041 S**

(45) **Date of Patent:** **** Apr. 24, 2007**

(54) **COMBINATION KEY HOLDER, CIGARETTE LIGHTER AND MIRROR**

6,293,783 B1 * 9/2001 Lee 431/253
D529,225 S * 9/2006 Rich D27/142

(76) Inventor: **Robert L. Rich**, P.O. Box 3913, Costa Mesa, CA (US) 92628

* cited by examiner

Primary Examiner—Ralf Seifert

(**) Term: **14 Years**

(57) **CLAIM**

(21) Appl. No.: **29/256,289**

The ornamental design for a combination key holder, cigarette lighter and mirror, as shown and described.

(22) Filed: **Mar. 20, 2006**

DESCRIPTION

(51) **LOC (8) Cl.** **03-01**

FIG. 1 is front perspective view of a combination key holder, cigarette lighter and mirror according to the present invention.

(52) **U.S. Cl.** **D3/208**

FIG. 2 is a front elevation view thereof.

(58) **Field of Classification Search** D3/207–212;

FIG. 3 is a rear elevation view thereof.

206/37.1, 38.1; 150/147; 70/456 R, 456 B,

FIG. 4 is a left side elevation view thereof.

70/458–459; 24/3 K, 3.6, 100; D11/44, 48

FIG. 5 is a right side elevation view thereof.

See application file for complete search history.

FIG. 6 is an upper plan view thereof; and,

FIG. 7 is a lower plan view thereof.

(56) **References Cited**

U.S. PATENT DOCUMENTS

D358,251 S * 5/1995 Bettis D3/208

1 Claim, 3 Drawing Sheets

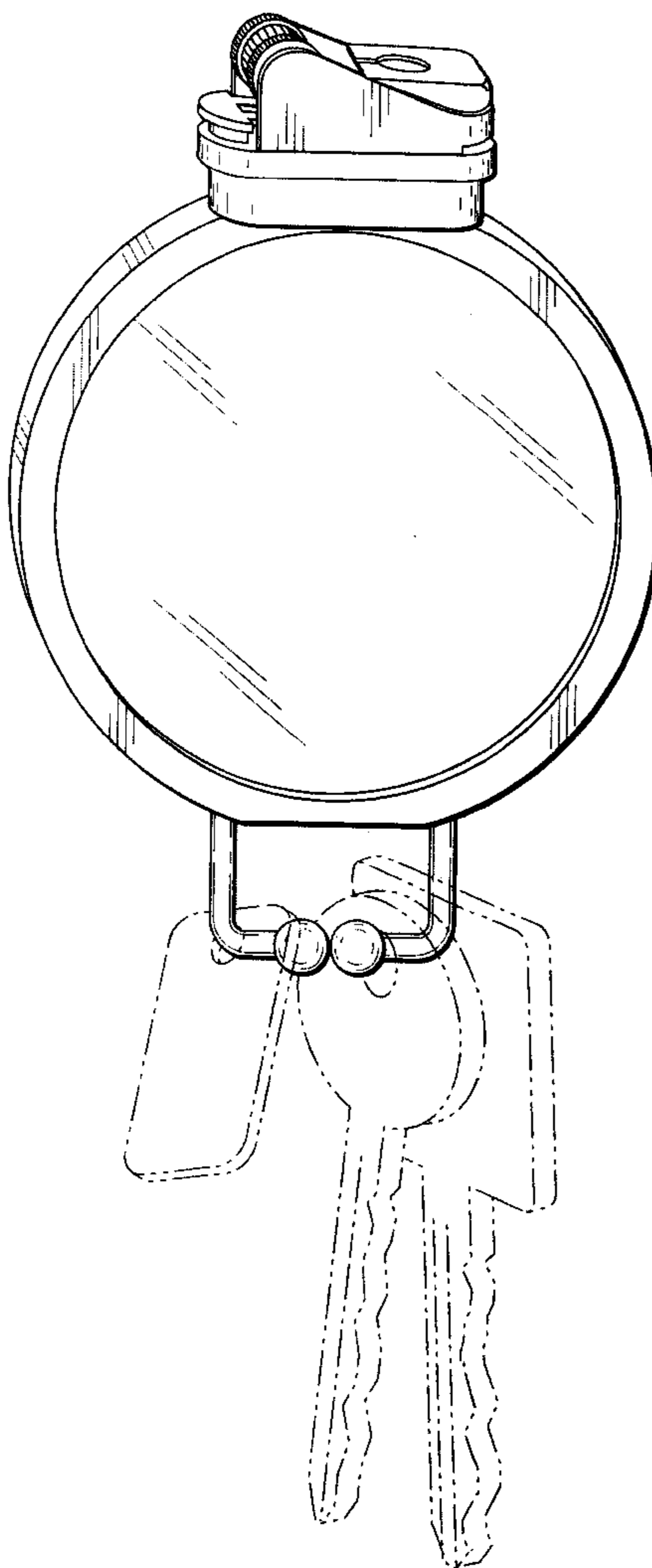
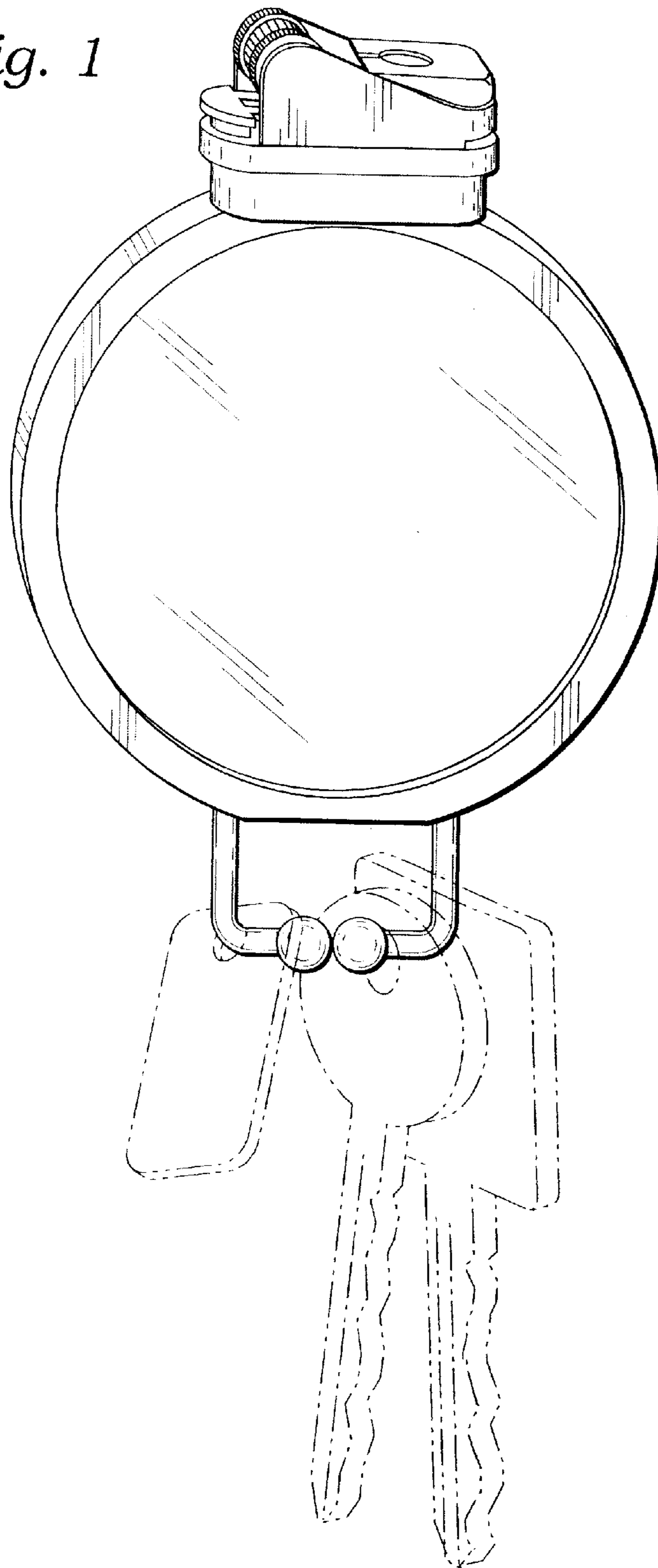


Fig. 1



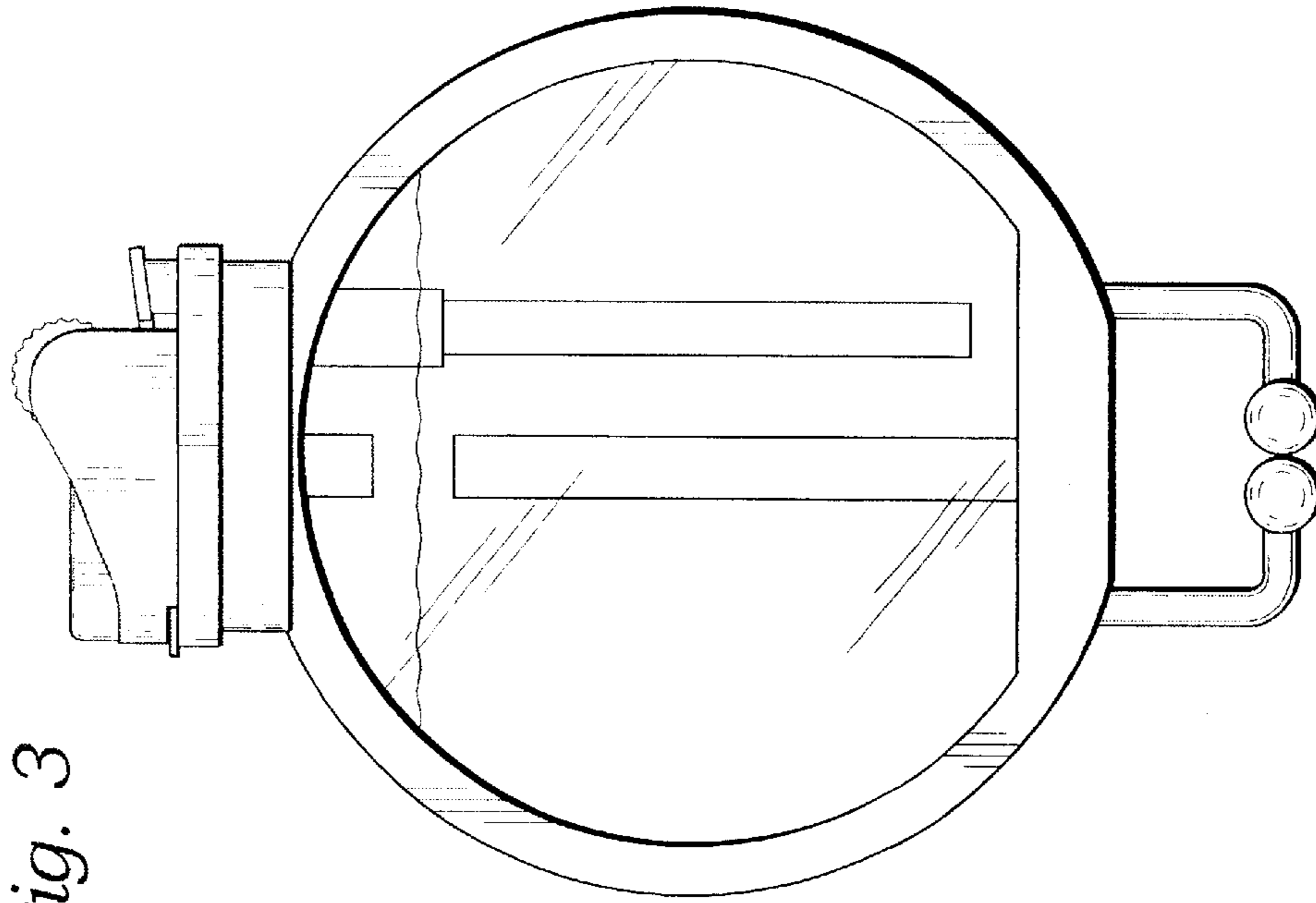


Fig. 3

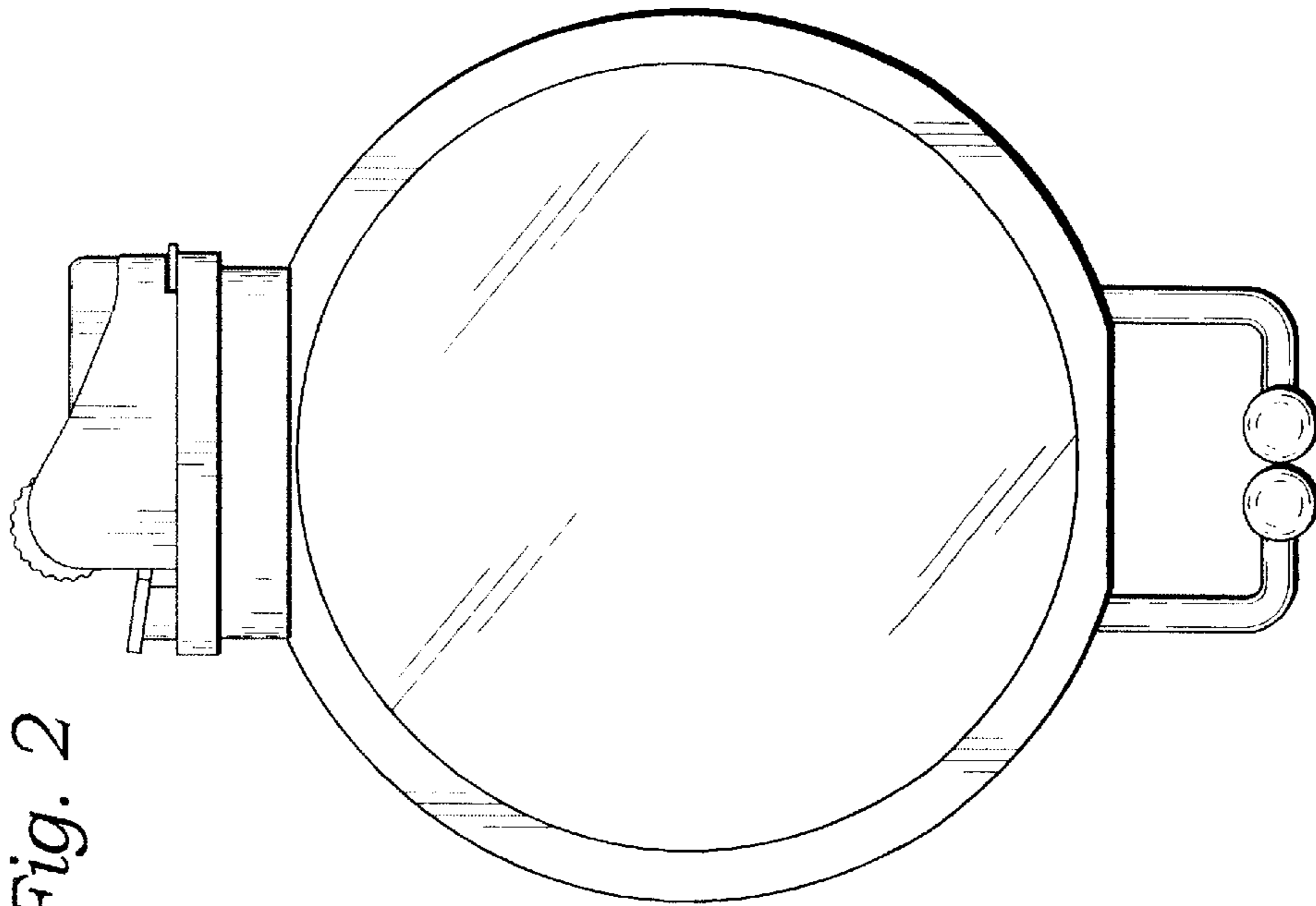


Fig. 2

Fig. 4

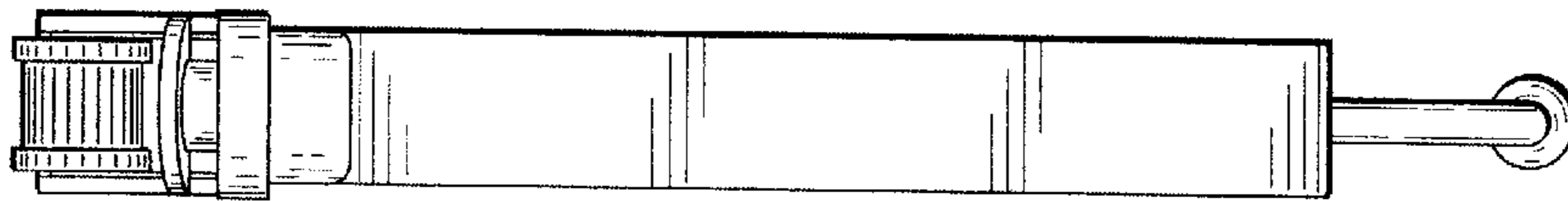


Fig. 5

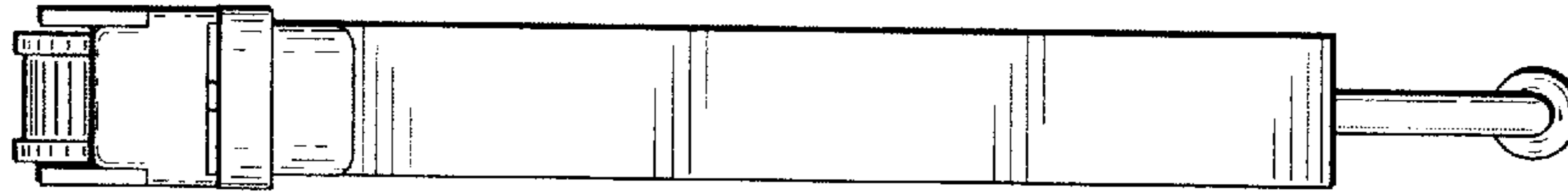


Fig. 6

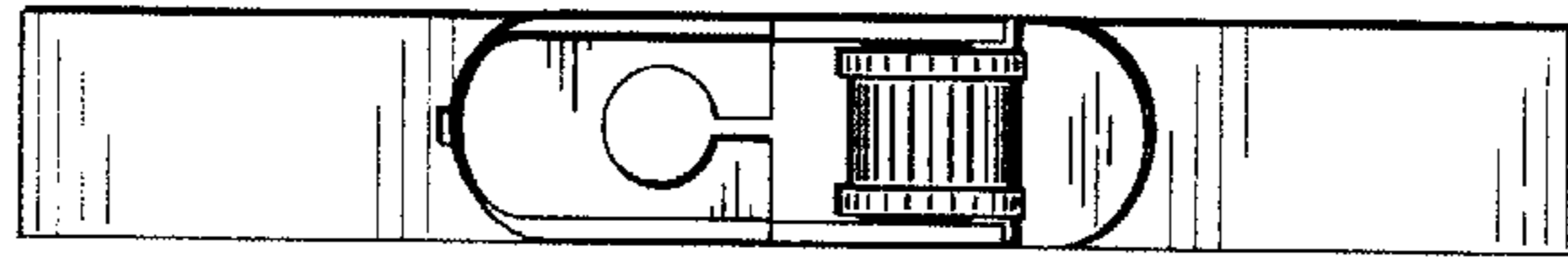


Fig. 7

