

US00D541002S

(12) **United States Design Patent**  
**Biggar**

(10) **Patent No.:** **US D541,002 S**

(45) **Date of Patent:** **\*\* Apr. 17, 2007**

(54) **COLUMBARIUM MEMORIAL**

(76) Inventor: **Curtis L. Biggar**, 4400 W. Pine St.,  
Appleton, WI (US) 54914

(\*\*) Term: **14 Years**

(21) Appl. No.: **29/206,982**

(22) Filed: **Jun. 7, 2004**

(51) **LOC (8) Cl.** ..... **99-00**

(52) **U.S. Cl.** ..... **D99/17**

(58) **Field of Classification Search** ..... D99/1,  
D99/5, 8, 15, 17; 27/1, 26; 52/128, 132, 133,  
52/134, 136, 745.01; 312/111

See application file for complete search history.

(56) **References Cited**

**U.S. PATENT DOCUMENTS**

2,513,951 A	7/1950	McClellen	
3,726,052 A	4/1973	Thompson	
3,754,805 A *	8/1973	Pangbum et al. ....	312/111
3,898,718 A	8/1975	Eubank	
3,925,944 A	12/1975	Pickel	
3,940,894 A	3/1976	Nunes	
D272,577 S	2/1984	Dercks et al.	
4,893,385 A	1/1990	Schrag	
5,287,603 A	2/1994	Schorman	
5,379,499 A	1/1995	Jackson	
5,408,786 A	4/1995	Konno	
5,622,014 A	4/1997	Weiss	
5,625,933 A	5/1997	Neuberger et al.	
5,729,921 A	3/1998	Rojas	
5,740,637 A	4/1998	Snow	
D395,121 S *	6/1998	Eickhof .....	D99/5
5,765,269 A *	6/1998	Zarth .....	27/26
D398,132 S	9/1998	Thesken	
5,815,897 A	10/1998	Longstreth	
5,832,575 A	11/1998	Sturino	
5,899,045 A *	5/1999	Giannarelli .....	52/745.01

6,023,822 A	2/2000	Luebke	
6,161,268 A	12/2000	Joseph	
6,167,600 B1	1/2001	Williams et al.	
D451,258 S *	11/2001	Carrier .....	D99/17
6,421,890 B1 *	7/2002	Biggar .....	27/1
D467,700 S	12/2002	Spencer	
D471,341 S *	3/2003	Spencer .....	D99/17
D471,342 S	3/2003	Spencer	
D471,690 S *	3/2003	Spencer .....	D99/17
6,553,727 B2 *	4/2003	Thomas et al. ....	52/136

**FOREIGN PATENT DOCUMENTS**

CA	958243	11/1974
CA	2030813	5/1992

\* cited by examiner

*Primary Examiner*—Paula A. Greene

(74) *Attorney, Agent, or Firm*—Joseph W. Byrne

(57) **CLAIM**

The ornamental design for a columbarium memorial, as shown and described.

**DESCRIPTION**

FIG. 1 is a front perspective view of a columbarium memorial showing my new design;

FIG. 2 is an exploded front perspective view thereof;

FIG. 3 is a front elevational view thereof;

FIG. 4 is a rear elevational view thereof;

FIG. 5 is a top plan view thereof, the undisclosed bottom is not part of the claimed design;

FIG. 6 is a side elevational view thereof; and,

FIG. 7 is an opposite side elevational view thereof.

The bottom of the columbarium memorial of FIG. 1 does not comprise any portion of the invention, and hence is not shown in the drawings.

The broken line showings in the drawings are for illustrative purposes only and form no part of the claimed design.

**1 Claim, 7 Drawing Sheets**

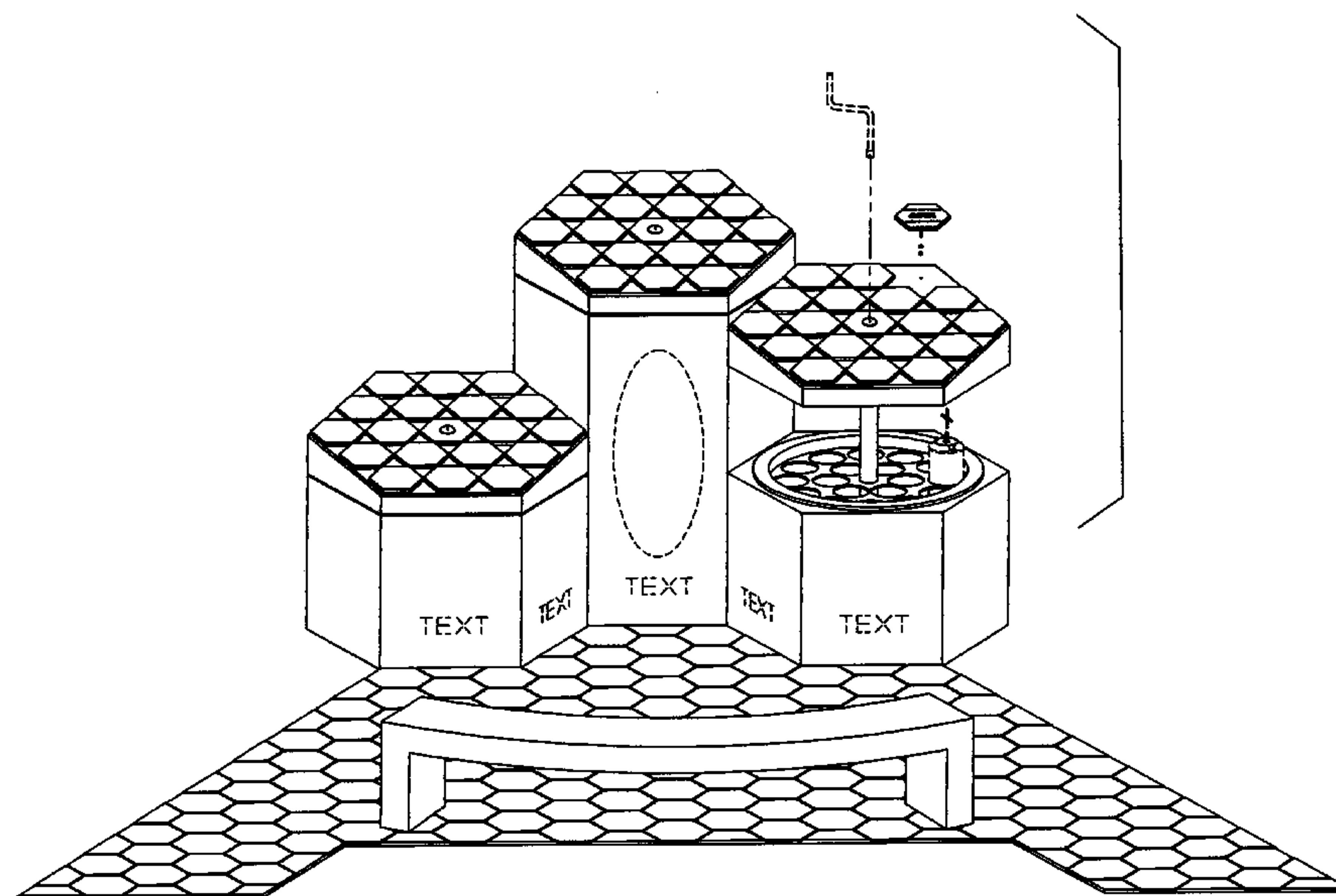


FIG. 1

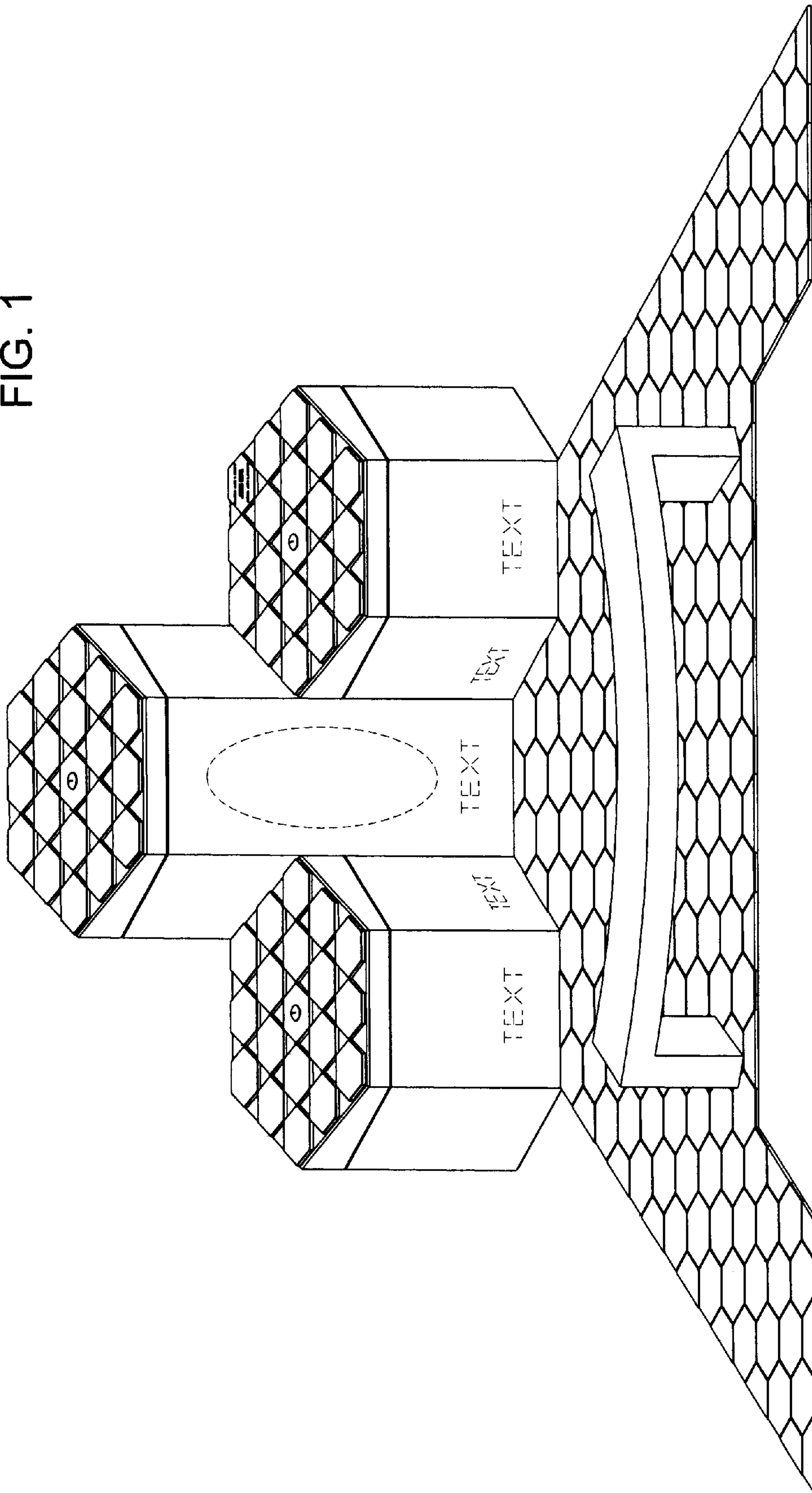


FIG. 2

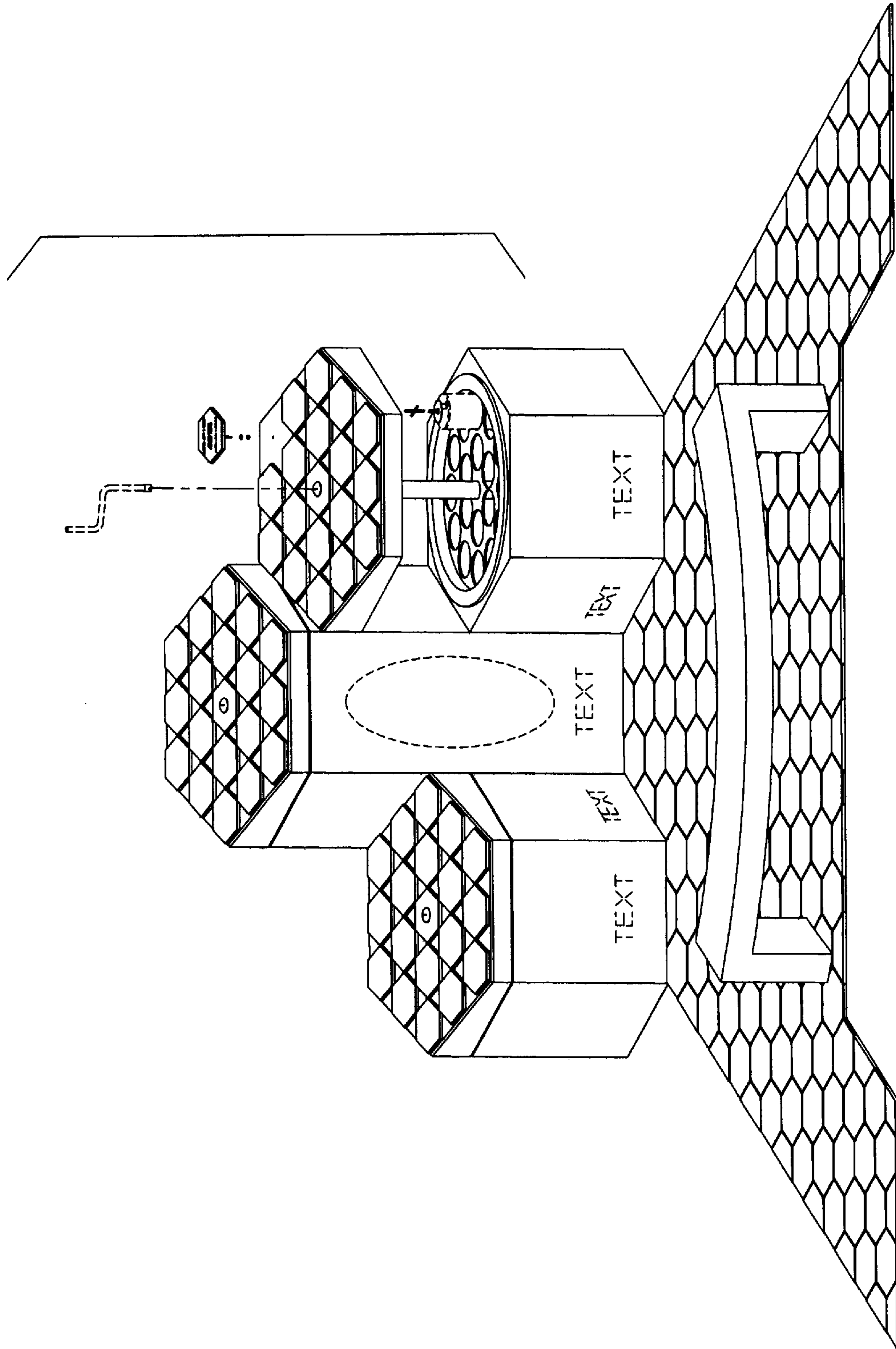


FIG. 3

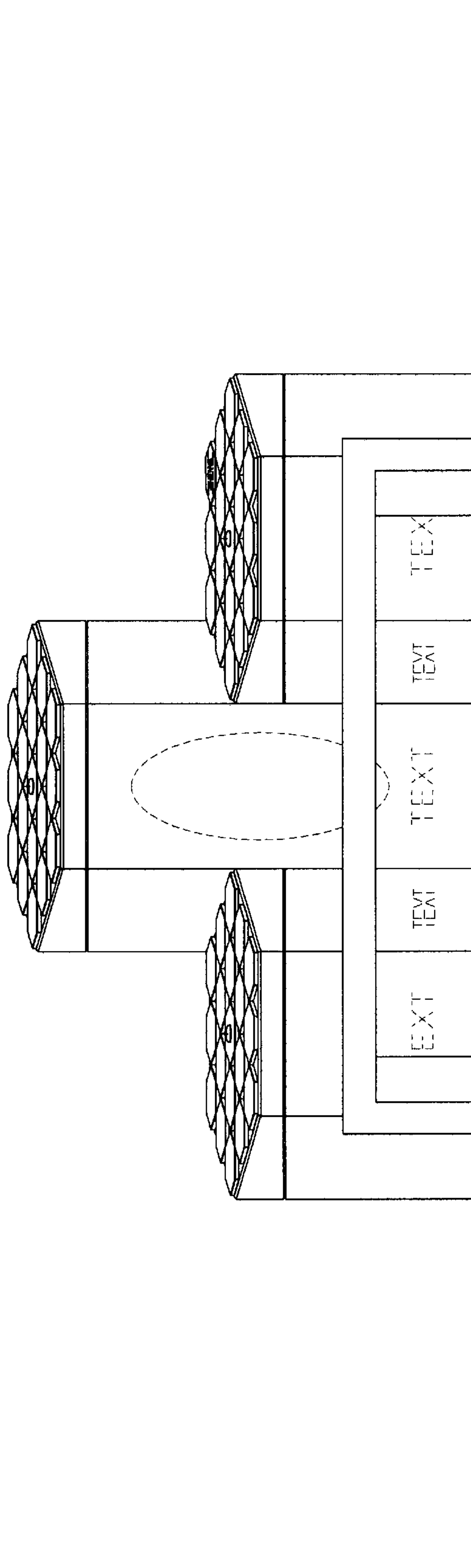


FIG. 4

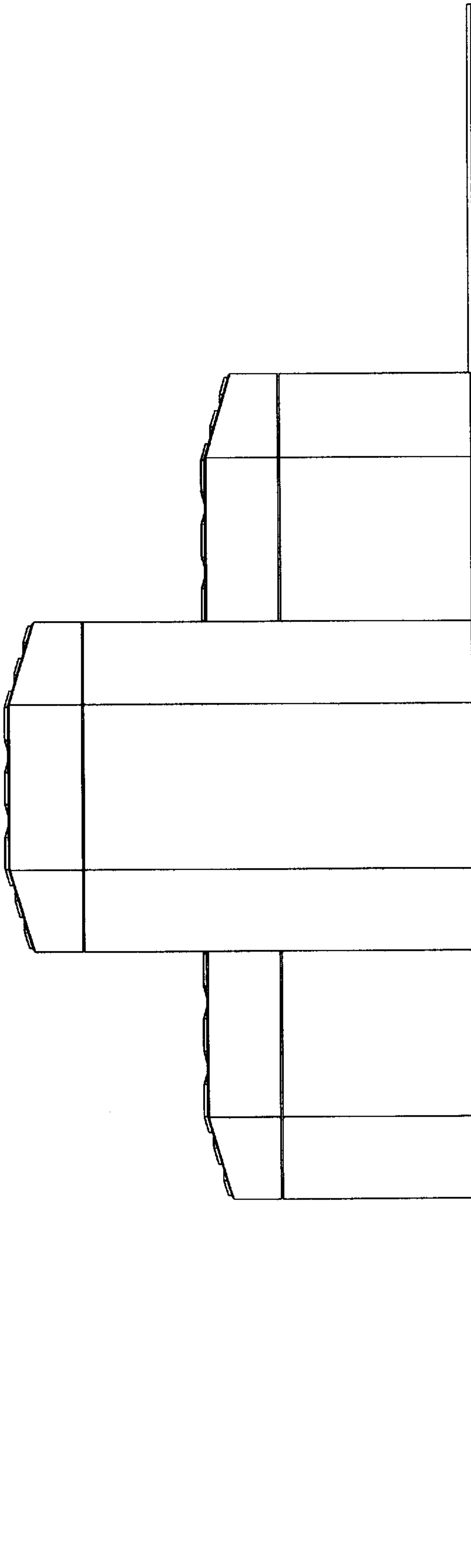




FIG. 5

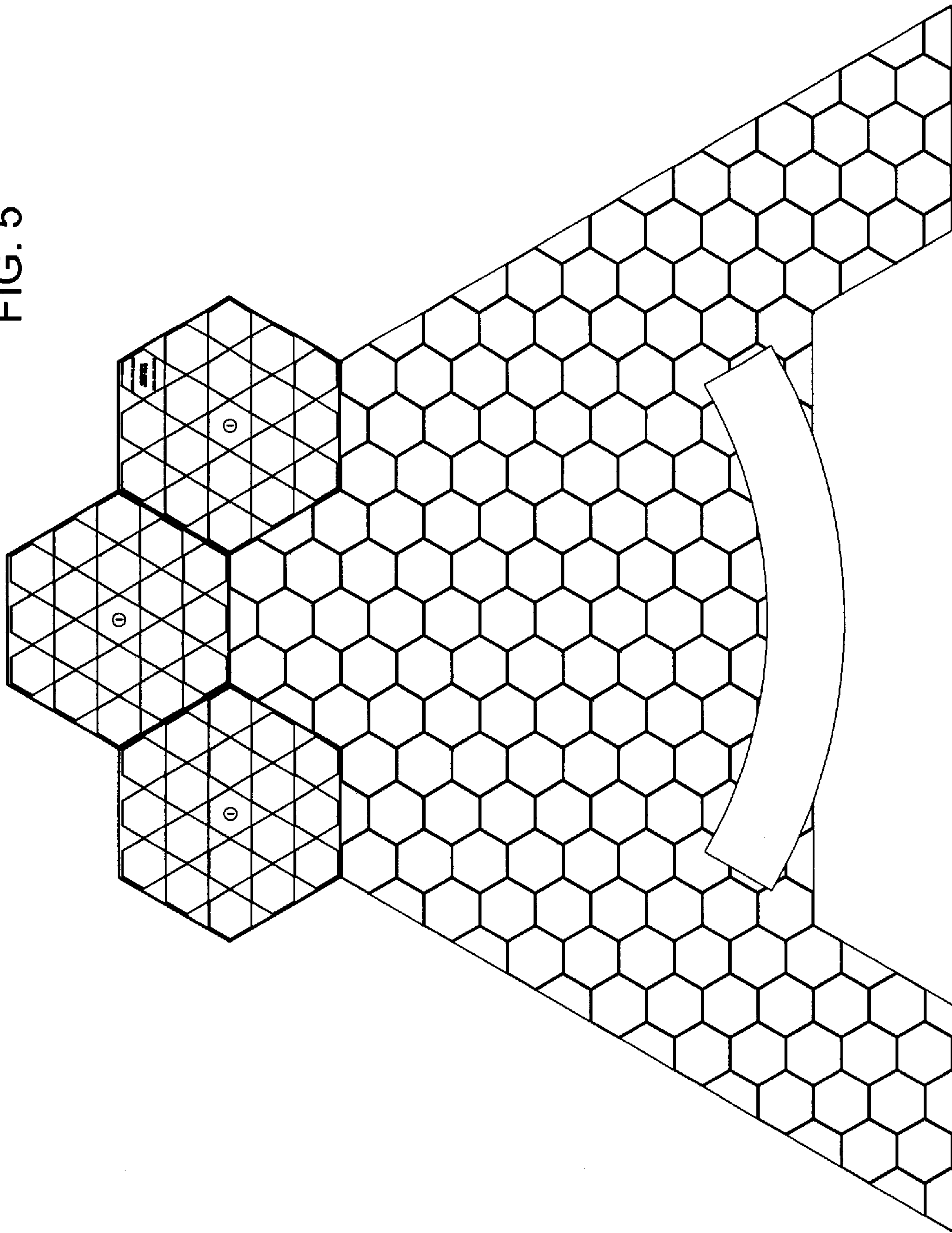


FIG. 6

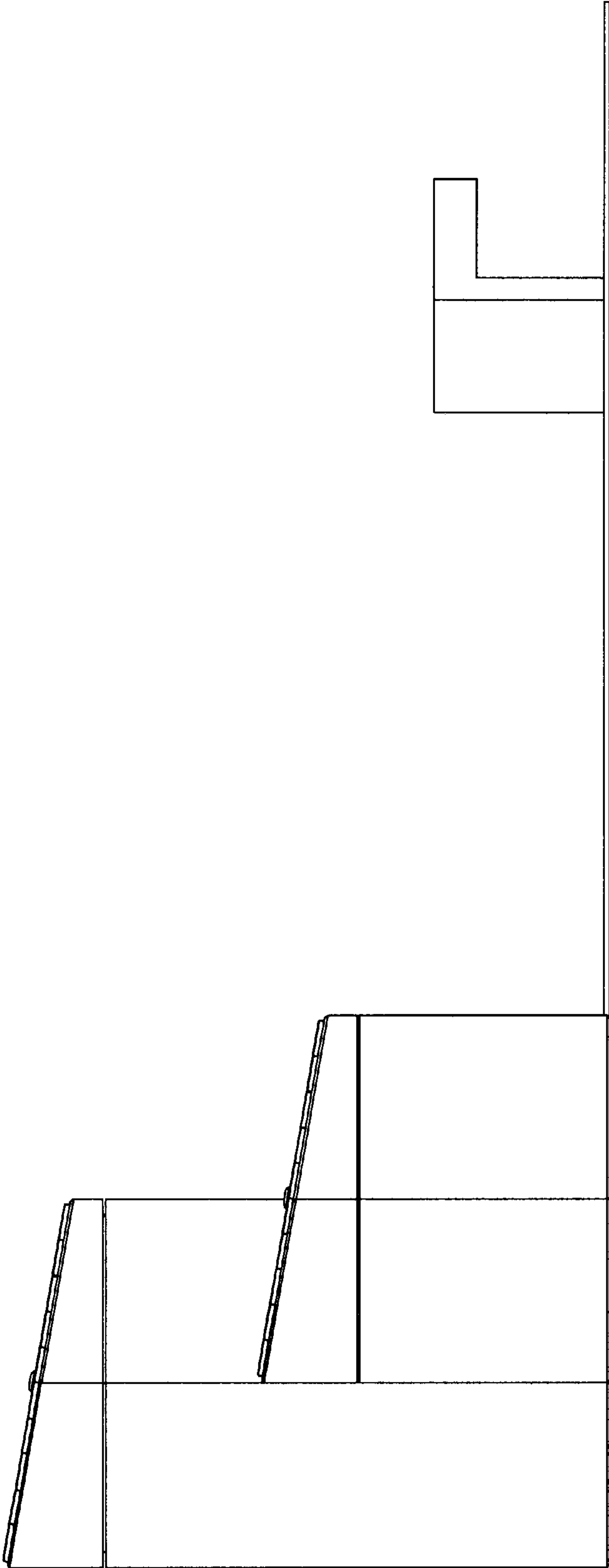


FIG. 7

