



US00D541000S

(12) **United States Design Patent**
Xia et al.

(10) **Patent No.:** **US D541,000 S**

(45) **Date of Patent:** **** Apr. 17, 2007**

(54) **HOIST**

(75) Inventors: **Desheng Xia**, Yamanashi (JP); **Koji Koyama**, Yamanashi (JP); **Michio Fukasawa**, Yamanashi (JP)

(73) Assignee: **Kito Corporation**, Yamanashi (JP)

(**) Term: **14 Years**

(21) Appl. No.: **29/243,687**

(22) Filed: **Nov. 30, 2005**

(30) **Foreign Application Priority Data**

Jun. 3, 2005 (JP) 2005-16249

(51) **LOC (8) Cl.** **12-05**

(52) **U.S. Cl.** **D34/33**

(58) **Field of Classification Search** D34/33,
D34/28, 35; 254/362, 356, 372, 380, 901,
254/382, 374, 316

See application file for complete search history.

(56) **References Cited**

U.S. PATENT DOCUMENTS

2,503,682 A * 4/1950 Parker 254/372

D309,969 S * 8/1990 Tamura D34/33
6,032,928 A * 3/2000 Okamoto et al. 254/372
D438,358 S * 2/2001 Huang D34/33

* cited by examiner

Primary Examiner—Cynthia E. Ramirez

(74) *Attorney, Agent, or Firm*—Staas & Halsey LLP

(57) **CLAIM**

The ornamental design for a hoist, as shown and described.

DESCRIPTION

FIG. 1 is a perspective view of a hoist showing our new design;

FIG. 2 is a front elevational view of FIG. 1;

FIG. 3 is a rear elevational view of FIG. 1;

FIG. 4 is a left side elevational view of FIG. 1;

FIG. 5 is a right side elevational view of FIG. 1;

FIG. 6 is a top plan view of FIG. 1; and,

FIG. 7 is a bottom plan view of FIG. 1.

The broken line showing in the figures is for illustrative purposes only and forms no part of the claimed design.

1 Claim, 4 Drawing Sheets

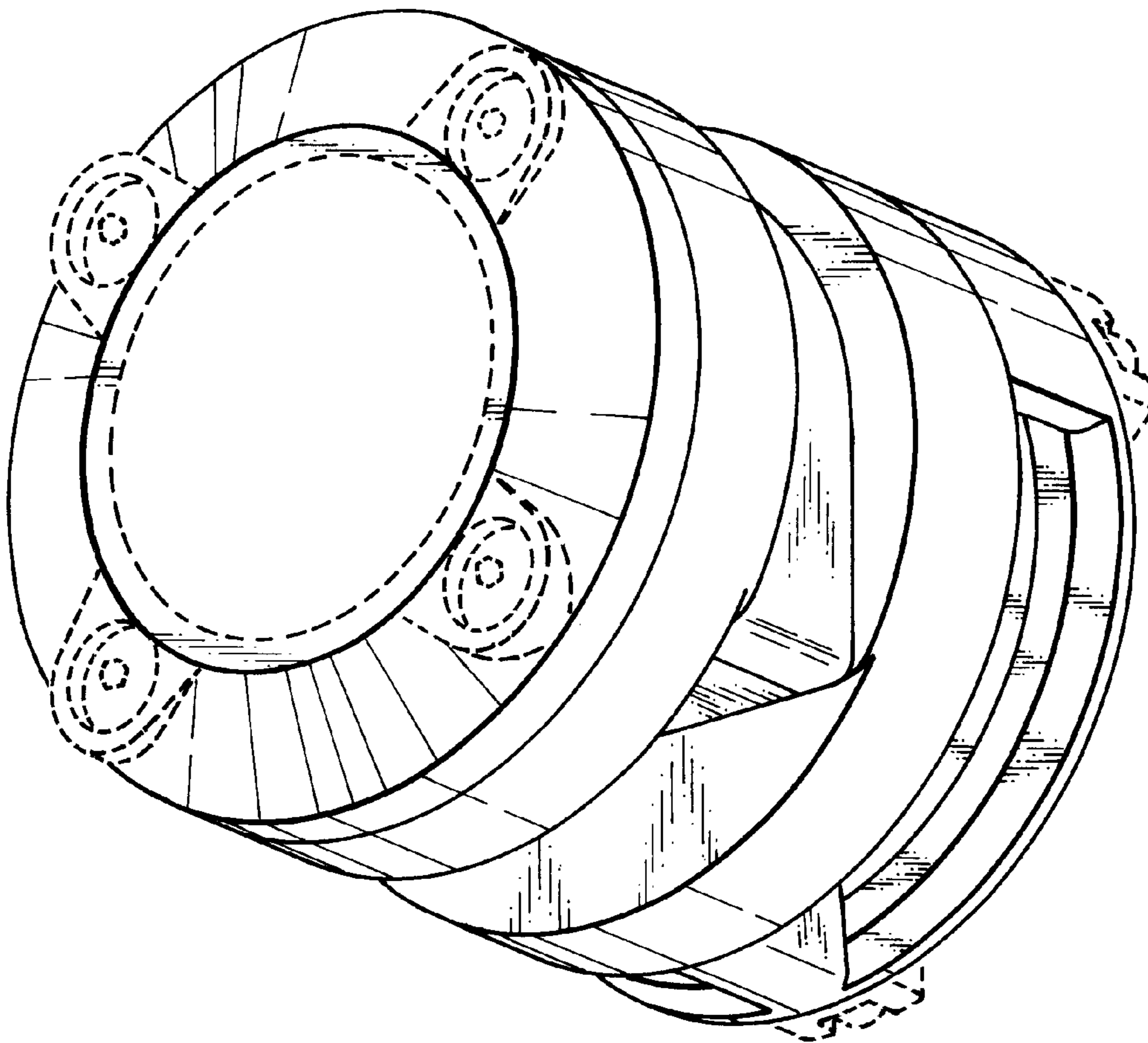


Fig.1

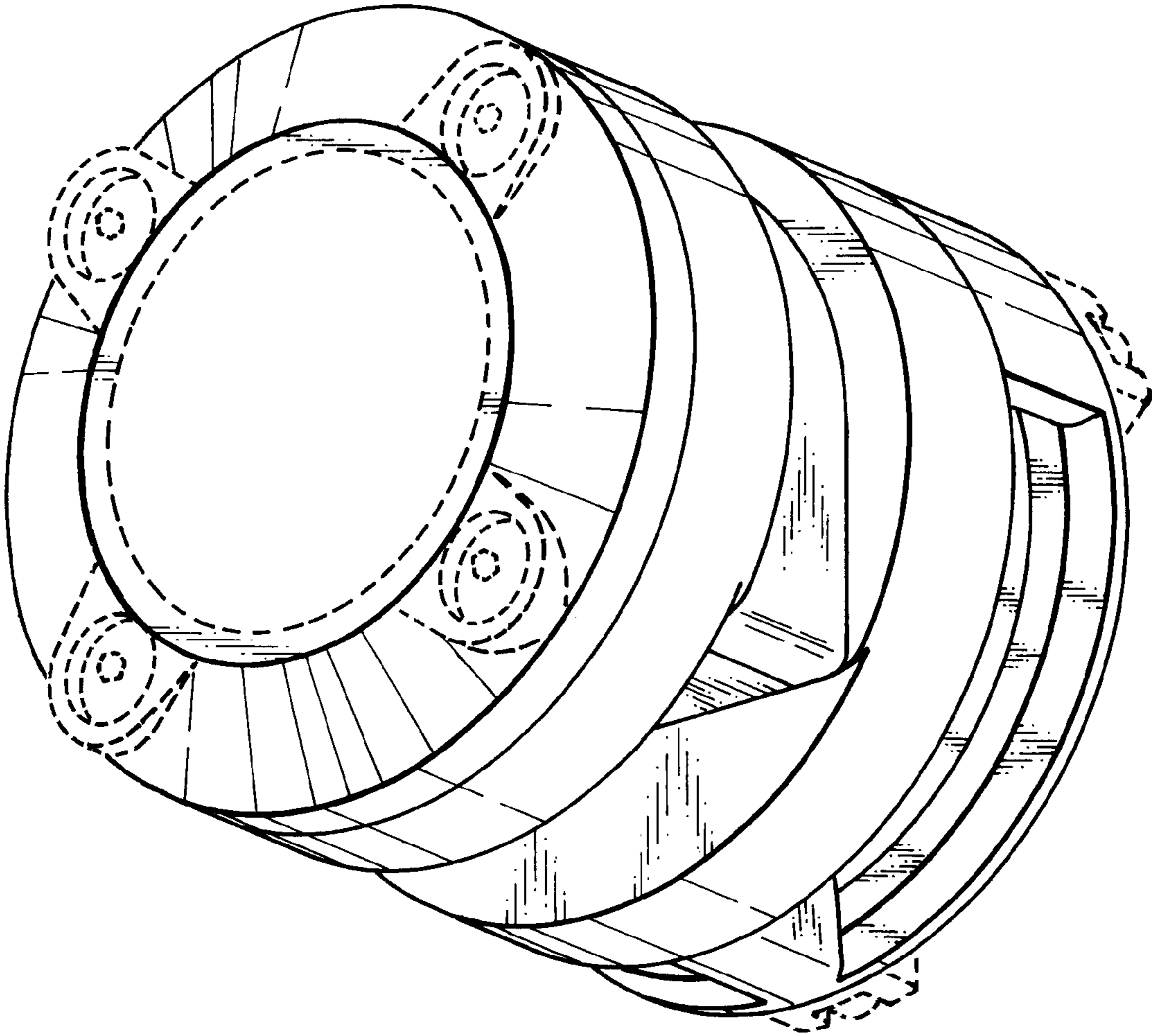


Fig.2

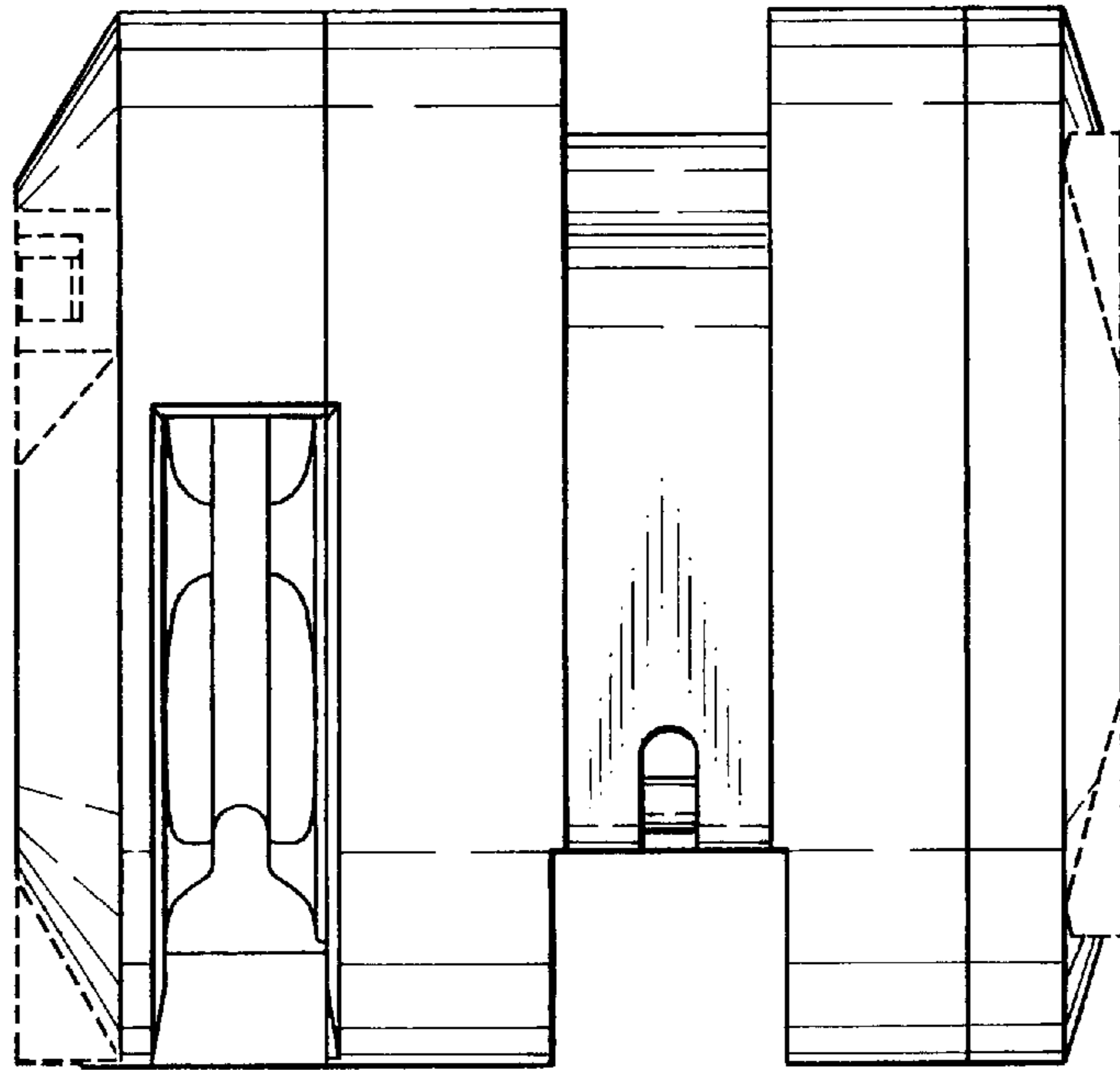


Fig.3

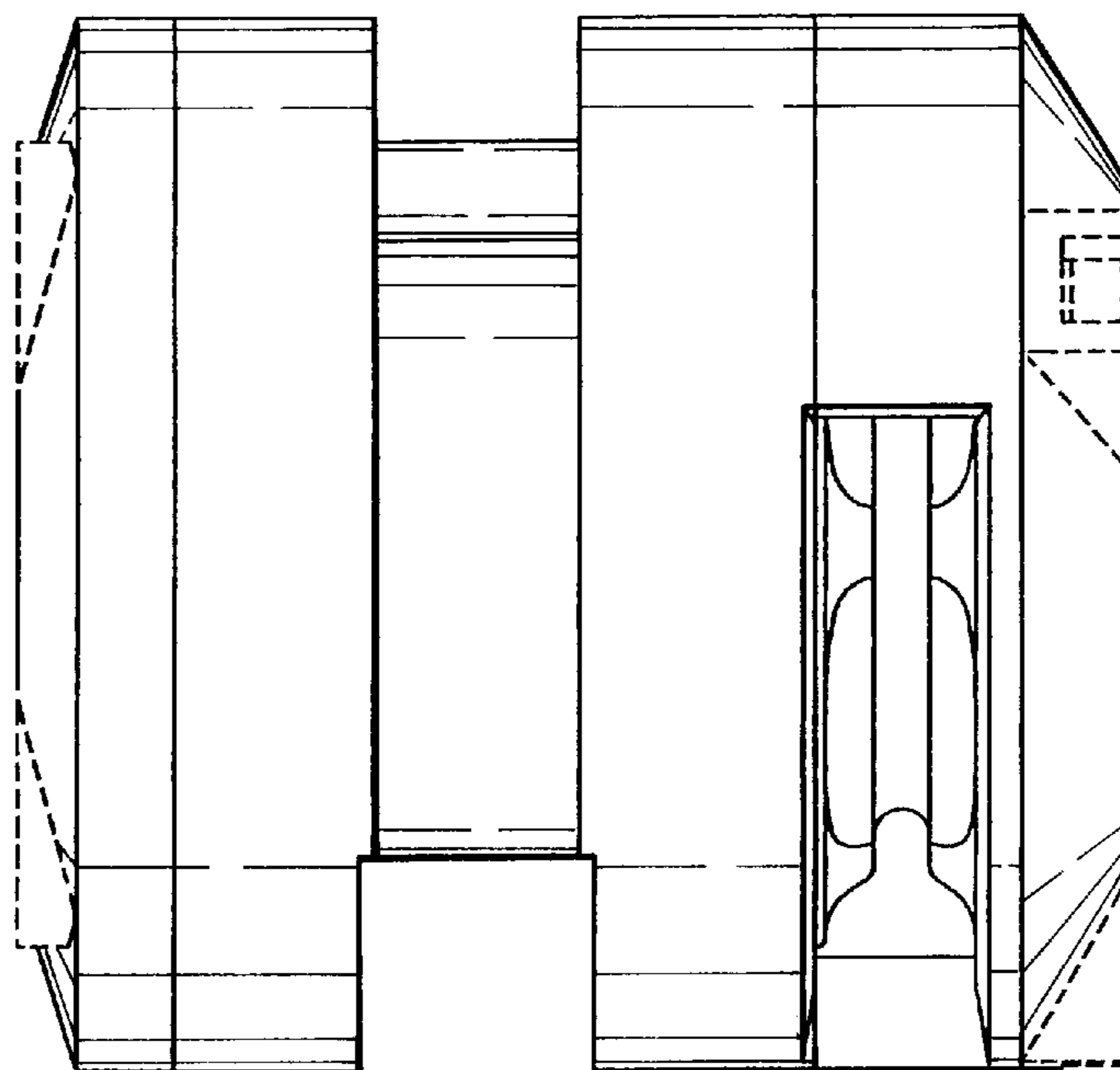


Fig.4

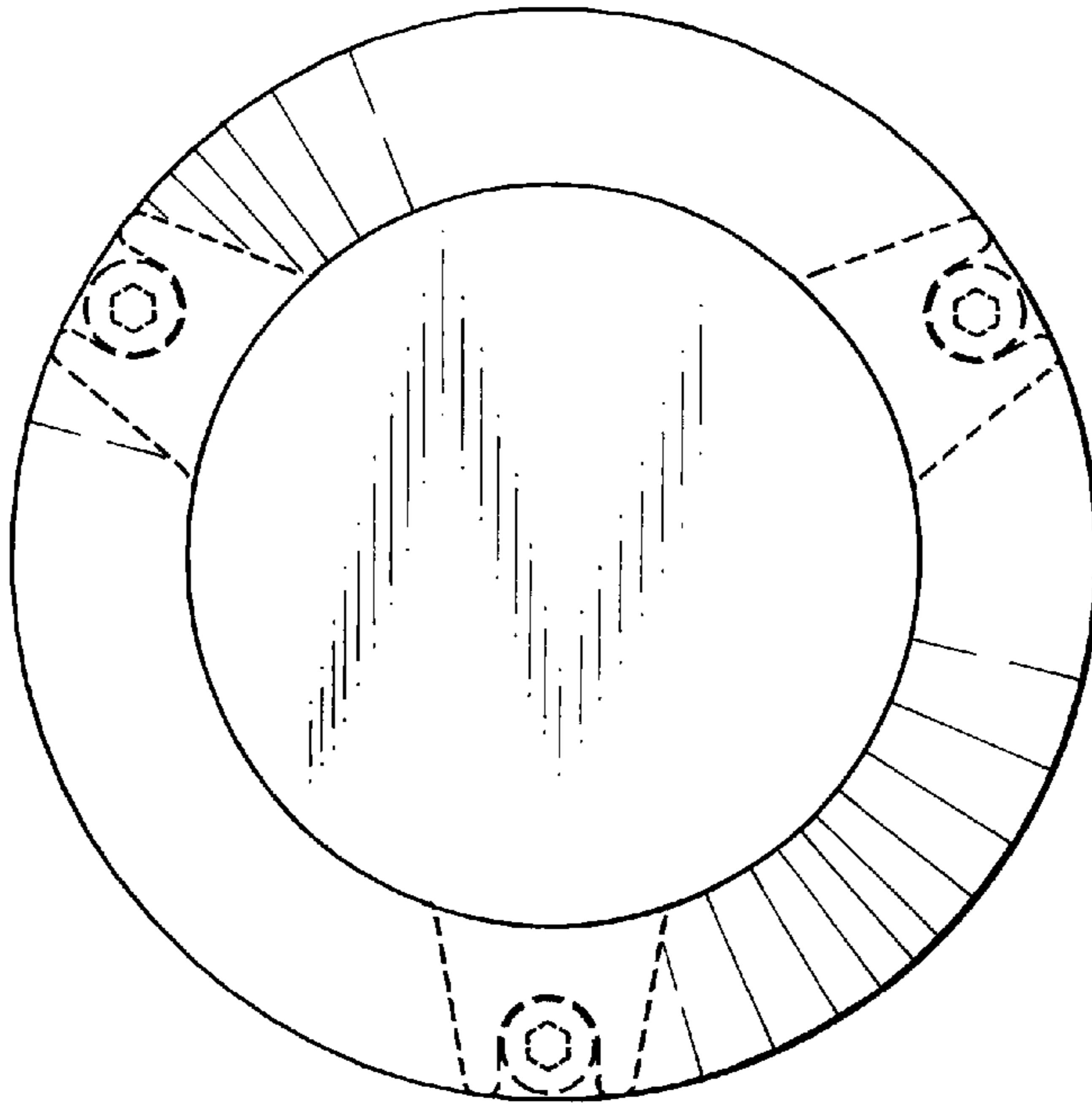


Fig.5

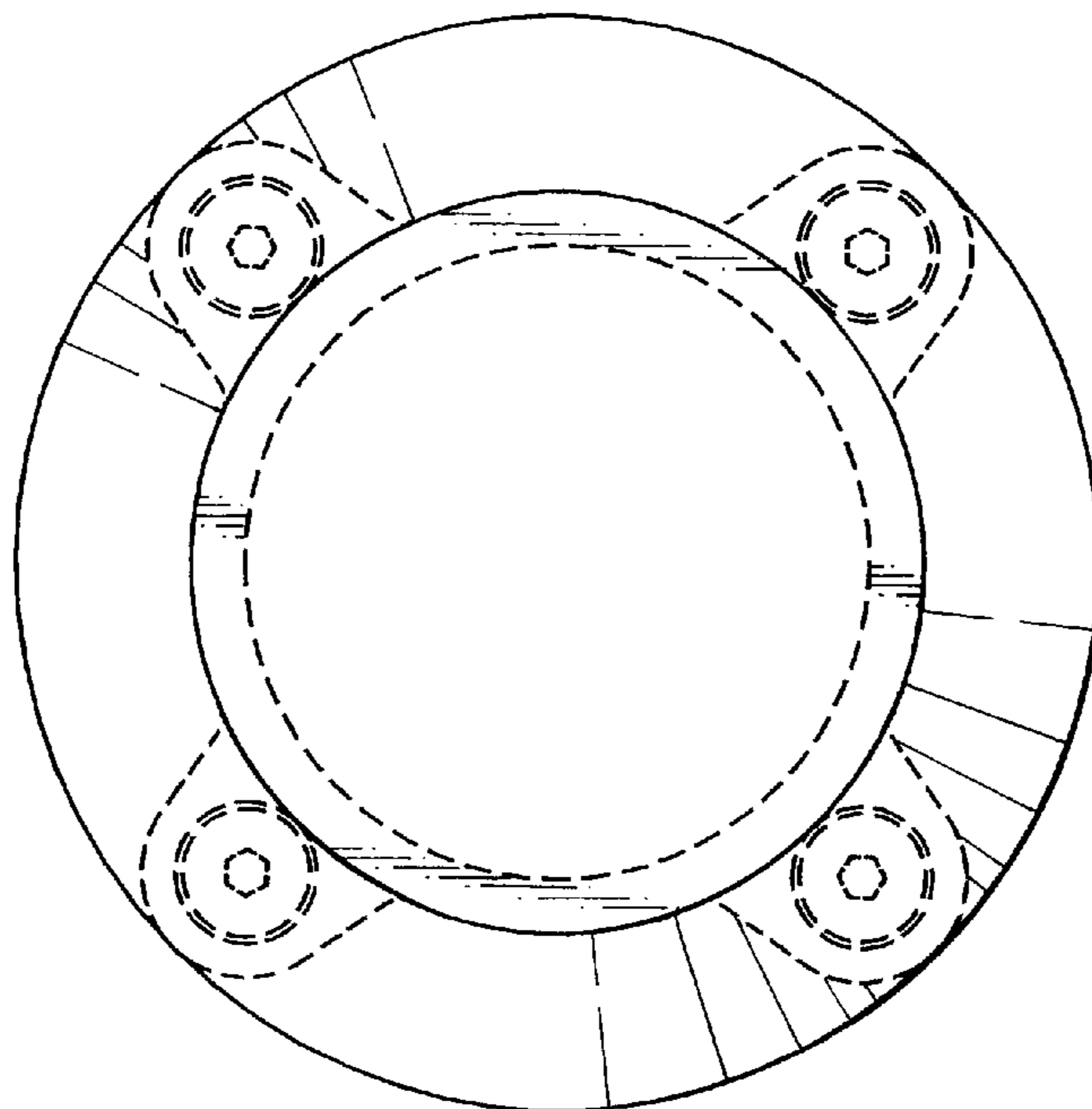


Fig.6

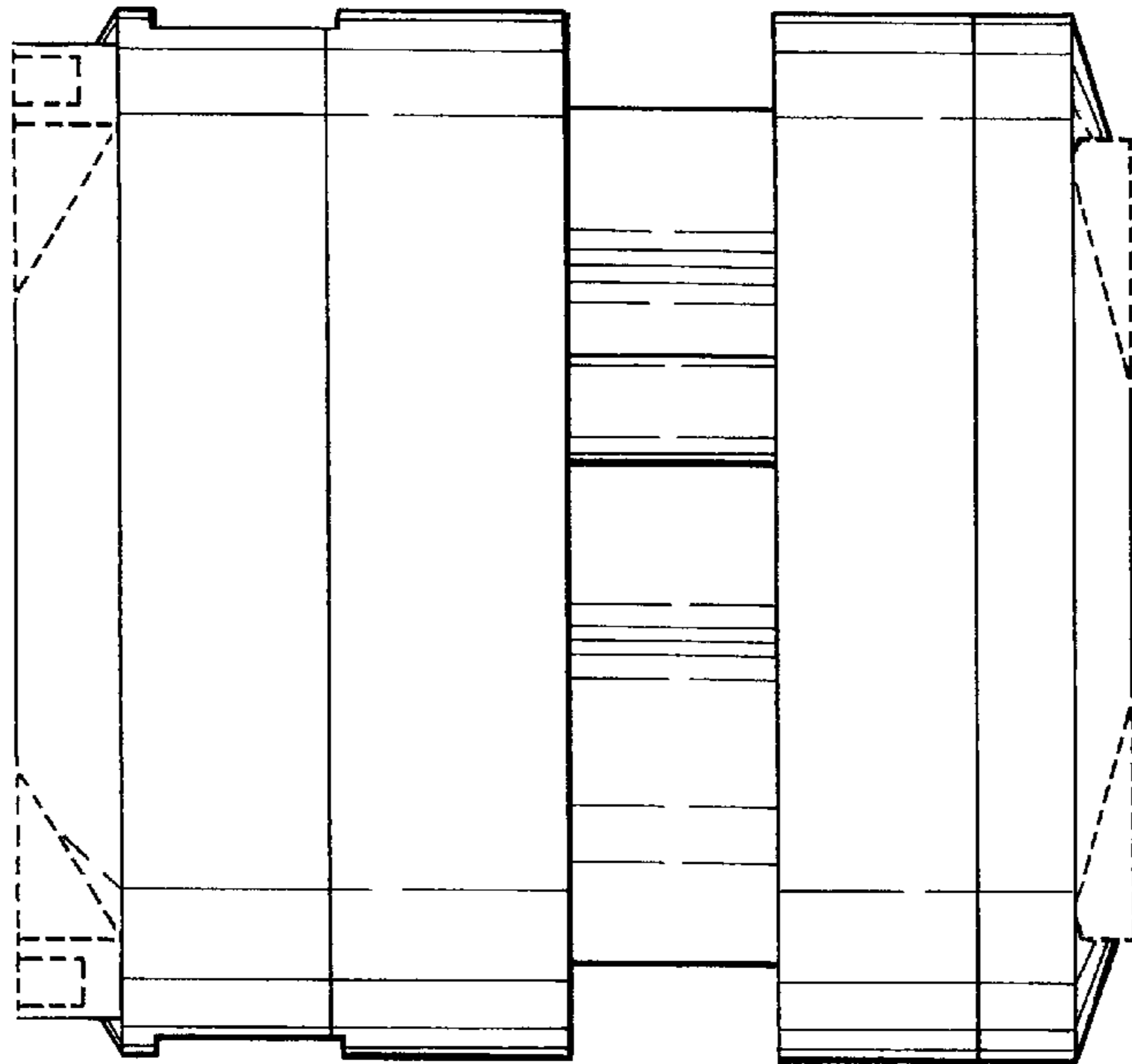


Fig.7

