



US00D540997S

(12) **United States Design Patent**
Richards

(10) **Patent No.:** **US D540,997 S**

(45) **Date of Patent:** **** Apr. 17, 2007**

(54) **DEVICE FOR ANCHORING A PAIR OF GARBAGE CONTAINERS**

(76) Inventor: **Richard A. Richards**, 16151 S. George Ct., Plainfield, IL (US) 60544

(**) Term: **14 Years**

(21) Appl. No.: **29/239,593**

(22) Filed: **Oct. 3, 2005**

(51) **LOC (8) Cl.** **09-09**

(52) **U.S. Cl.** **D34/10**

(58) **Field of Classification Search** D34/1,
D34/10, 11; 220/908-913; 248/146, 346.01,
248/154; 211/85.19

See application file for complete search history.

(56) **References Cited**

U.S. PATENT DOCUMENTS

D170,695 S	*	10/1953	Kane	D34/6
2,772,560 A		12/1956	Neptune		
3,105,594 A	*	10/1963	Ewers	211/72
3,201,075 A	*	8/1965	Sievers	248/147
3,224,595 A	*	12/1965	Sherley	211/83
3,520,419 A		7/1970	Kennedy et al.		
3,520,505 A	*	7/1970	Allen	248/146
D219,210 S	*	11/1970	Hall	D34/38
3,589,658 A		6/1971	Kopfman		
3,642,239 A	*	2/1972	Zeiler, Jr.	248/210
3,655,158 A		4/1972	Smith, Jr.		
3,679,161 A		7/1972	Husting		

4,084,701 A	*	4/1978	White	211/81
D252,441 S		7/1979	Allen		
4,741,494 A		5/1988	Voornas		
4,905,945 A	*	3/1990	Peterson	248/146
5,398,897 A	*	3/1995	Sverdlik	248/154

* cited by examiner

Primary Examiner—Cynthia E. Ramirez

(74) *Attorney, Agent, or Firm*—Donald R. Schoonover

(57) **CLAIM**

I claim the ornamental design for a device for anchoring a pair of garbage containers, as shown and described.

DESCRIPTION

FIG. 1 is a perspective view of a device for anchoring a pair of garbage containers showing my new design;

FIG. 2 is a top plan view thereof;

FIG. 3 is a rear elevational view thereof;

FIG. 4 is a side elevational view thereof, the elevational view of the opposing side being a mirror image thereof;

FIG. 5 is a bottom plan view thereof;

FIG. 6 is a front elevational view thereof; and,

FIG. 7 is a front elevational view showing the device for anchoring a pair of garbage containers in use; the broken lines depict environmental structure for illustrative purposes only and form no part of the claimed design.

The straps are shown broken away in FIGS. 1,3,4 and 6 for convenience of illustration.

1 Claim, 3 Drawing Sheets

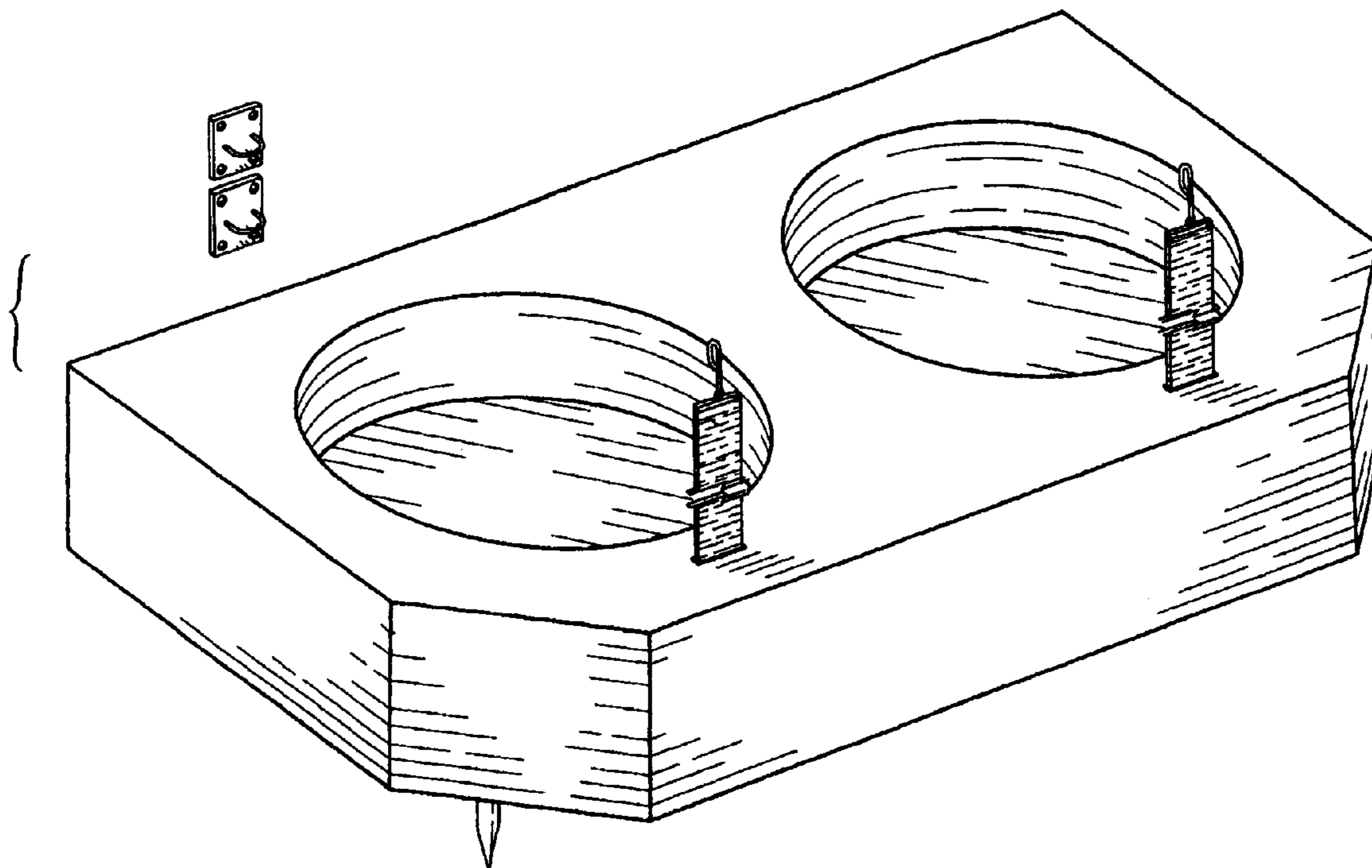


Fig. 1

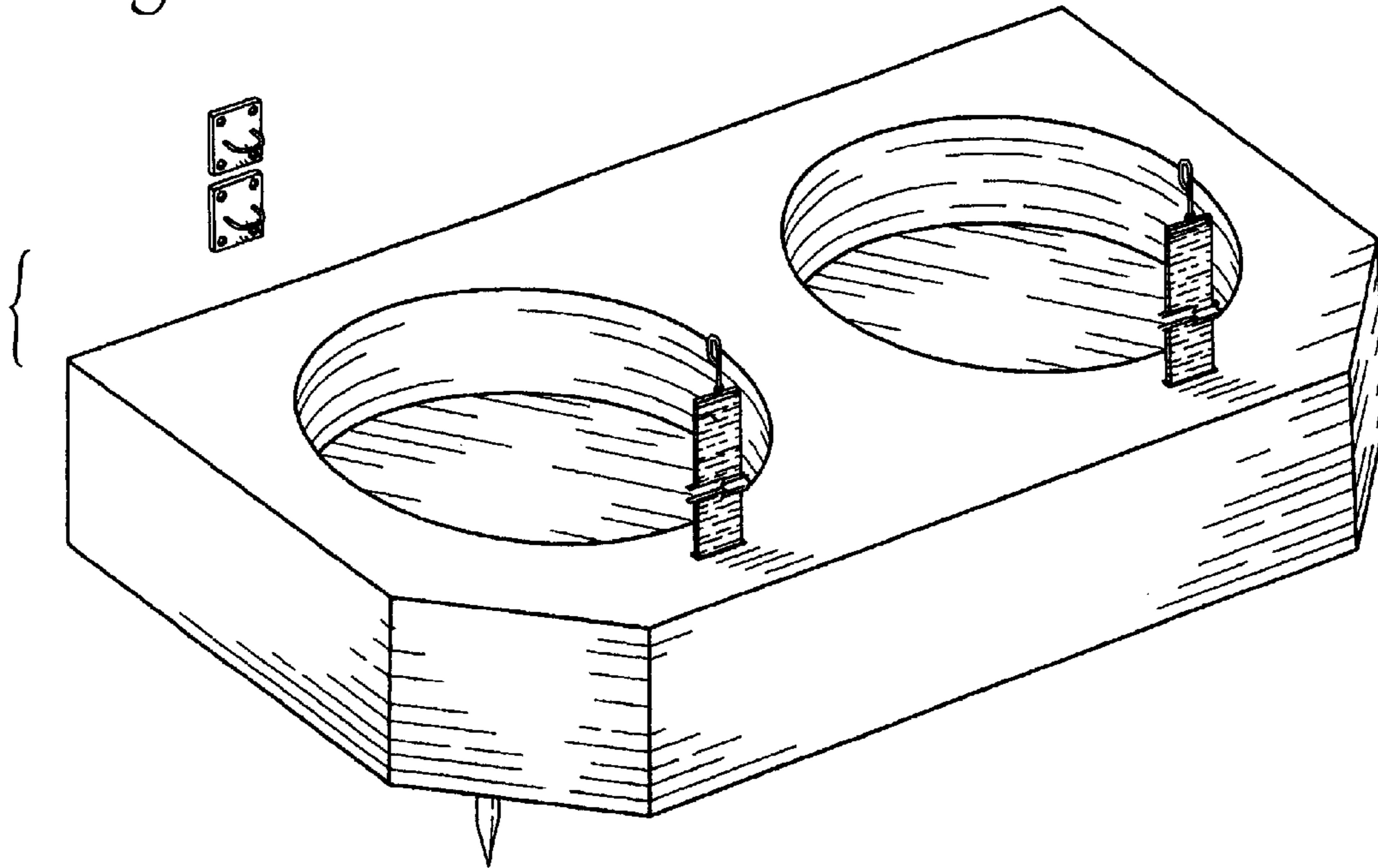
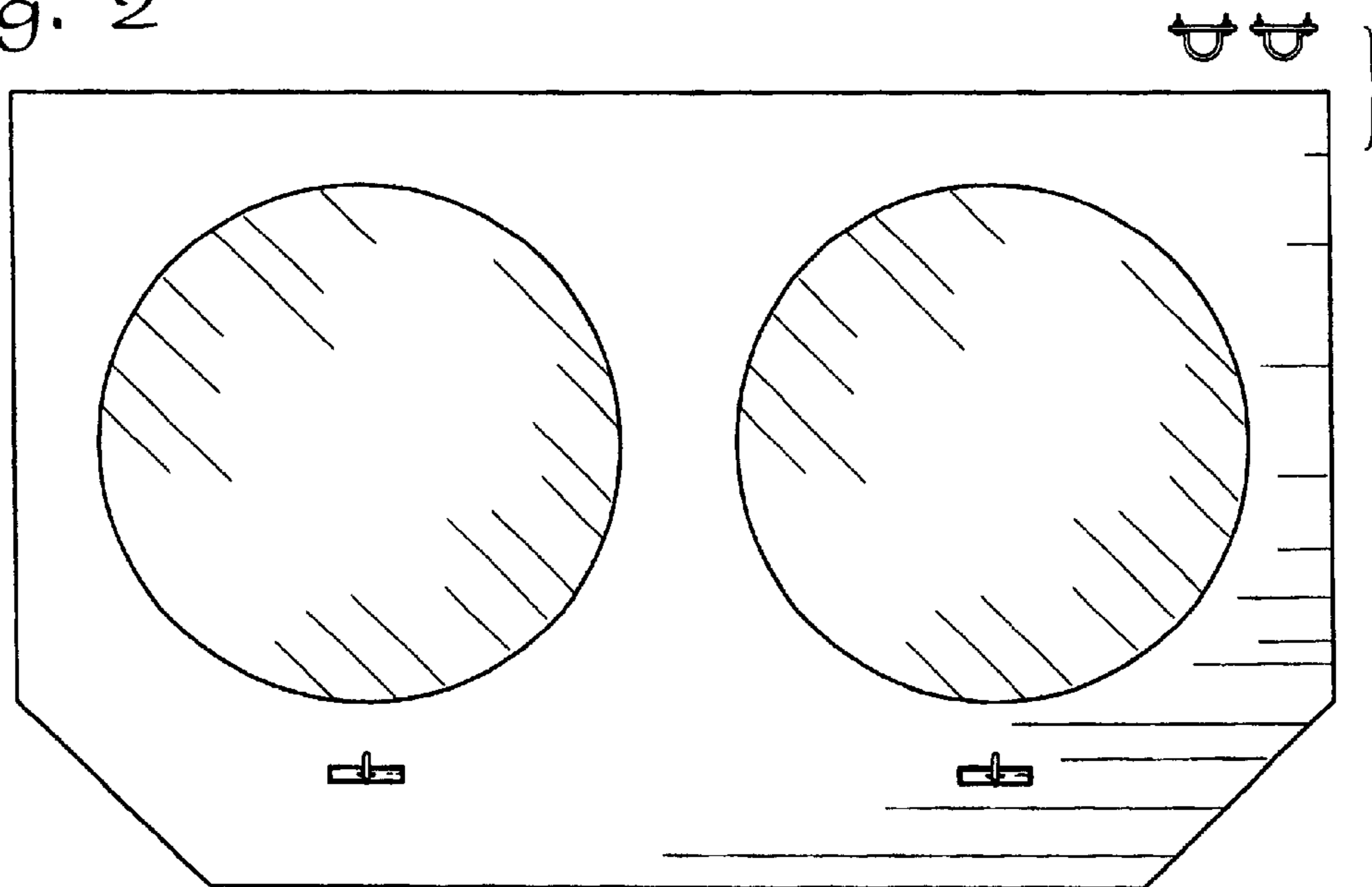


Fig. 2



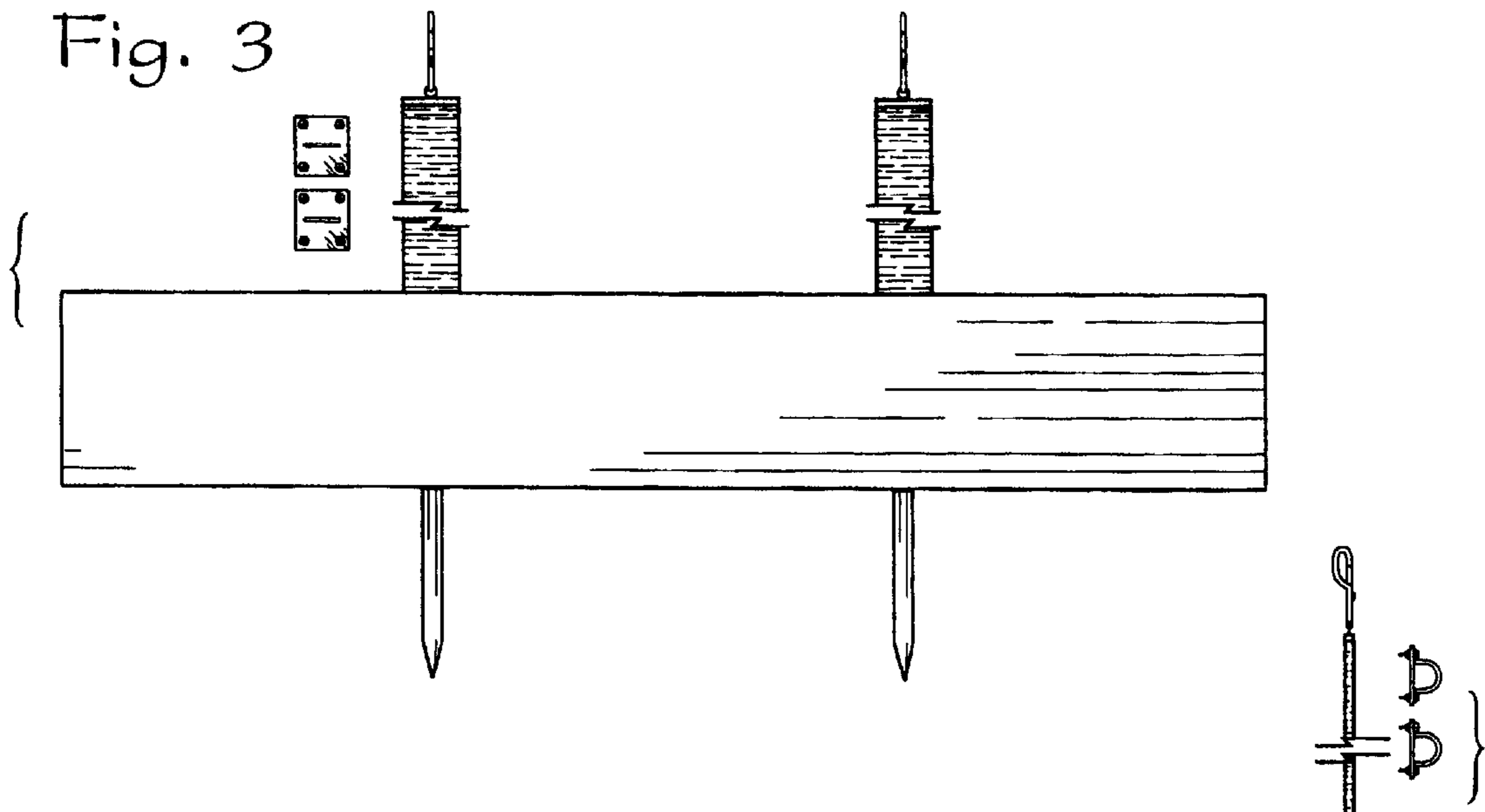


Fig. 4

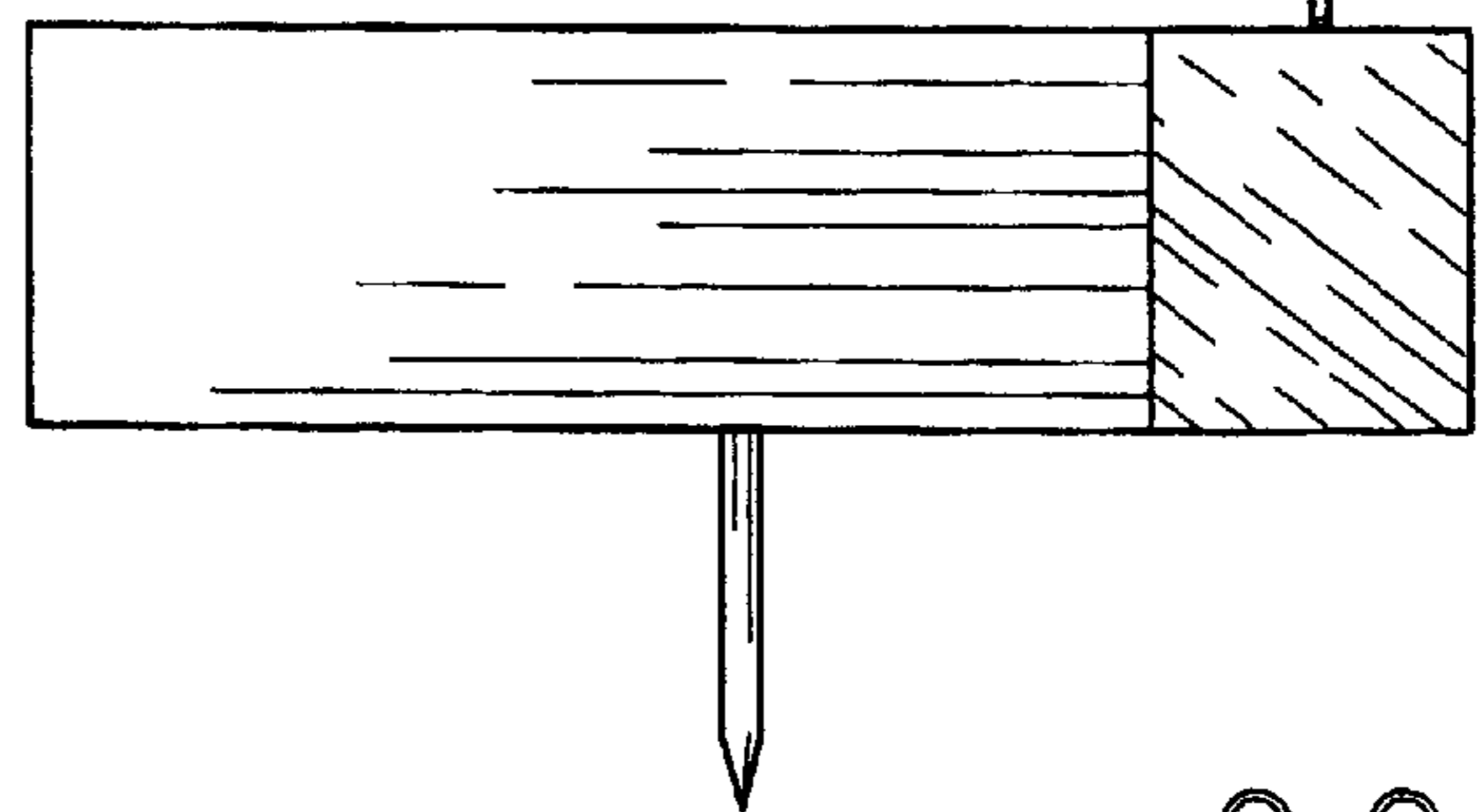


Fig. 5

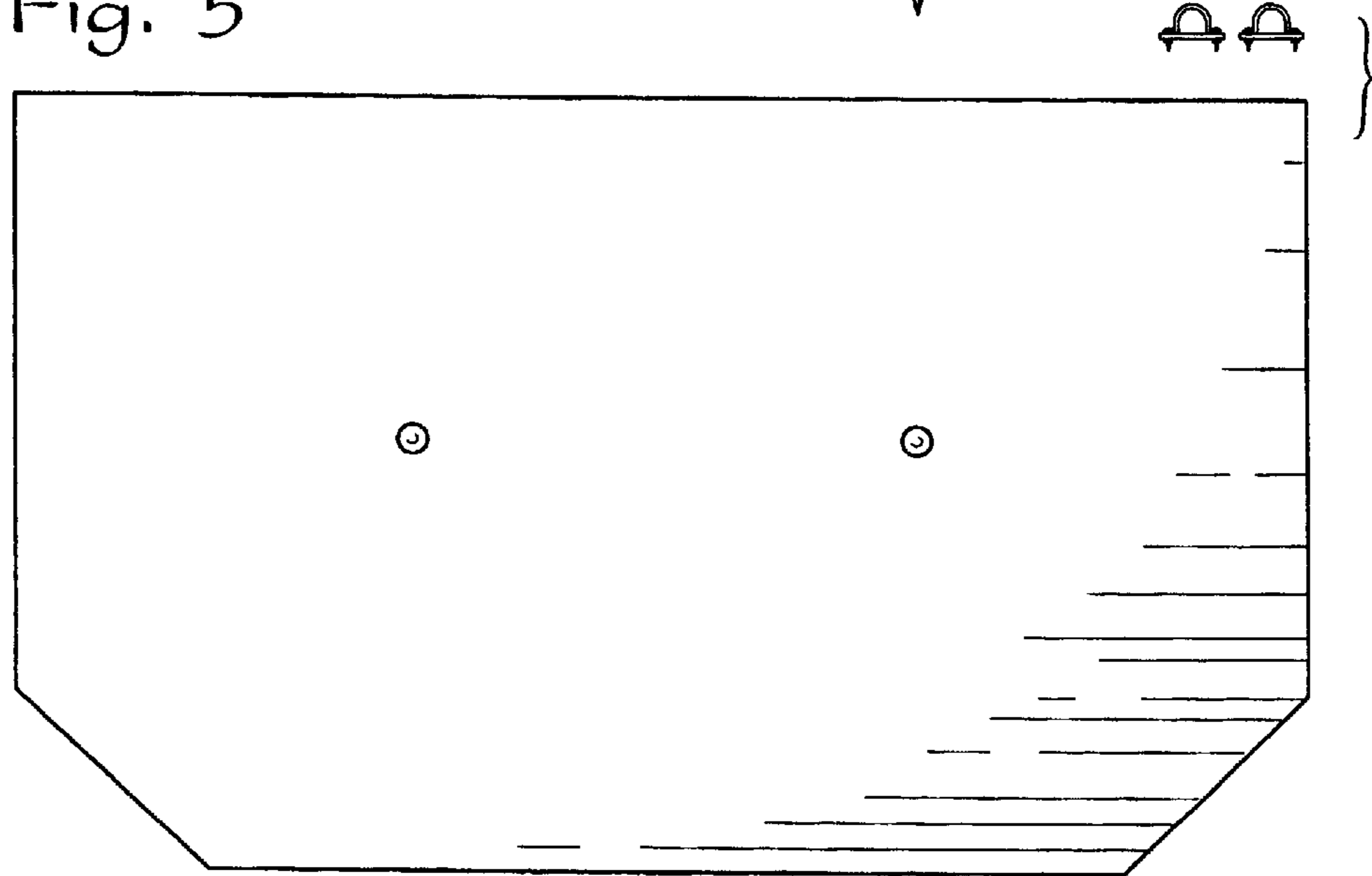


Fig. 6

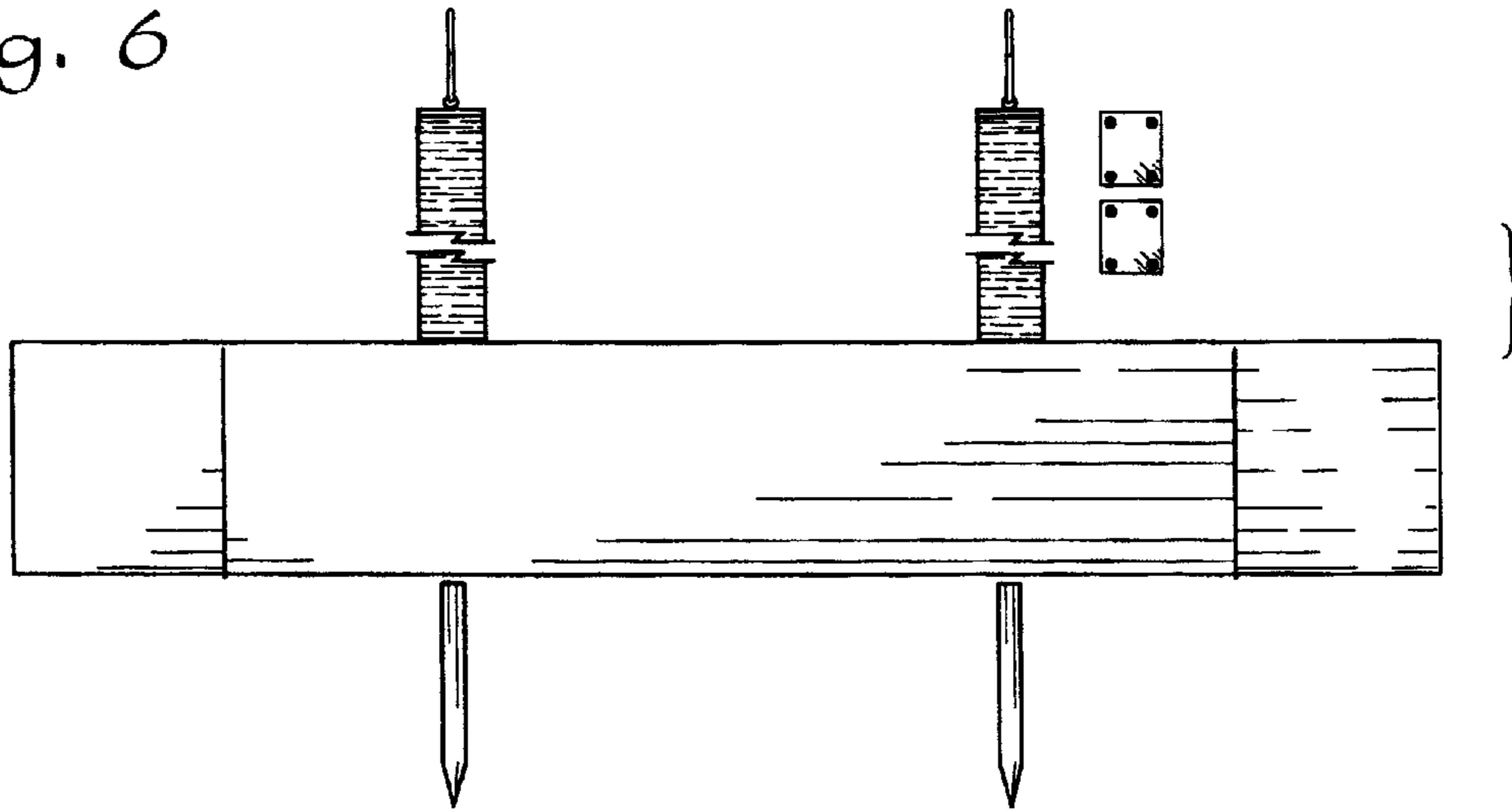


Fig. 7

