



US00D540994S

(12) **United States Design Patent**
Borges

(10) **Patent No.:** **US D540,994 S**

(45) **Date of Patent:** **** Apr. 17, 2007**

(54) **COMBINATION SCRAPER VACUUM TOOL**

2003/0159241 A1 * 8/2003 Calzolari 15/401
2005/0144753 A1 * 7/2005 Pulliam 15/401

(76) Inventor: **James M Borges**, 81 Martin Ave.,
Barrington, RI (US) 02806

* cited by examiner

(**) Term: **14 Years**

Primary Examiner—Ruth McInroy

(74) *Attorney, Agent, or Firm*—Robert J Doherty

(21) Appl. No.: **29/236,603**

(57) **CLAIM**

(22) Filed: **Aug. 19, 2005**

The ornamental design for a combination scraper vacuum tool, as shown and described.

(51) **LOC (8) Cl.** **15-05**

(52) **U.S. Cl.** **D32/33**

(58) **Field of Classification Search** D32/18,
D32/31–33, 46, 48; D8/90, 92–93; 15/401,
15/402, 246.2, 236.01, 415.1–422, 422.1,
15/322, 344; D30/158

DESCRIPTION

See application file for complete search history.

FIG. 1 is a side perspective view of a combination scraper vacuum tool in use showing my new design; FIG. 2 is an enlarged scale side perspective view thereof; FIG. 3 is a left side elevational view thereof; FIG. 4 is a right side elevational view thereof; FIG. 5 is a top plan view thereof; FIG. 6 is a bottom plan view thereof; FIG. 7 is a front elevational view thereof; and, FIG. 8 is a rear elevational view thereof.

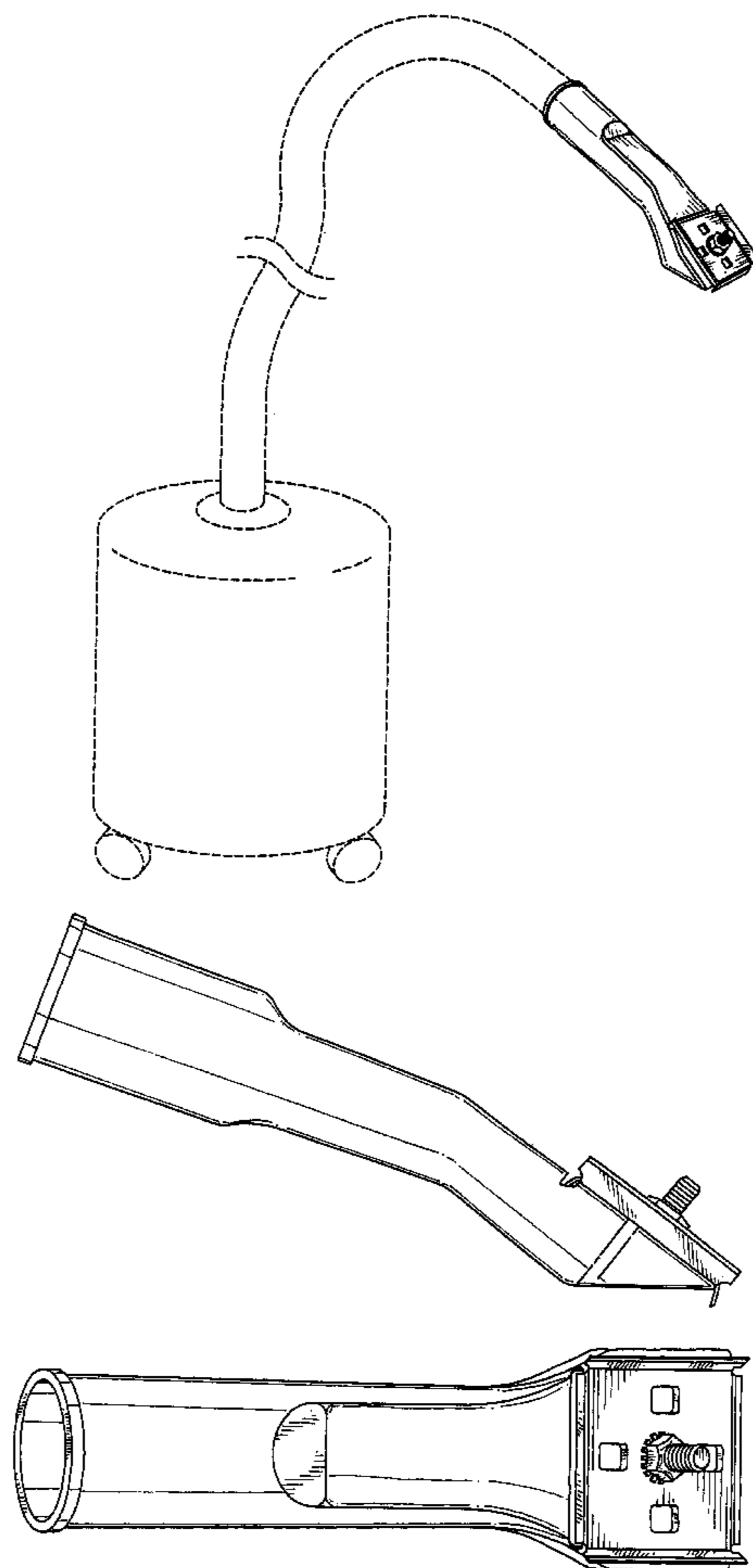
The dotted line representation of a vacuum system is for information only and forms no part of the claimed design.

(56) **References Cited**

U.S. PATENT DOCUMENTS

4,947,515 A * 8/1990 Ivarsson 15/401
D383,260 S * 9/1997 Laube D30/158
5,960,515 A * 10/1999 Lu 15/415.1
6,070,292 A * 6/2000 Langelaan 15/401
6,086,682 A * 7/2000 Anderson 134/6

1 Claim, 4 Drawing Sheets



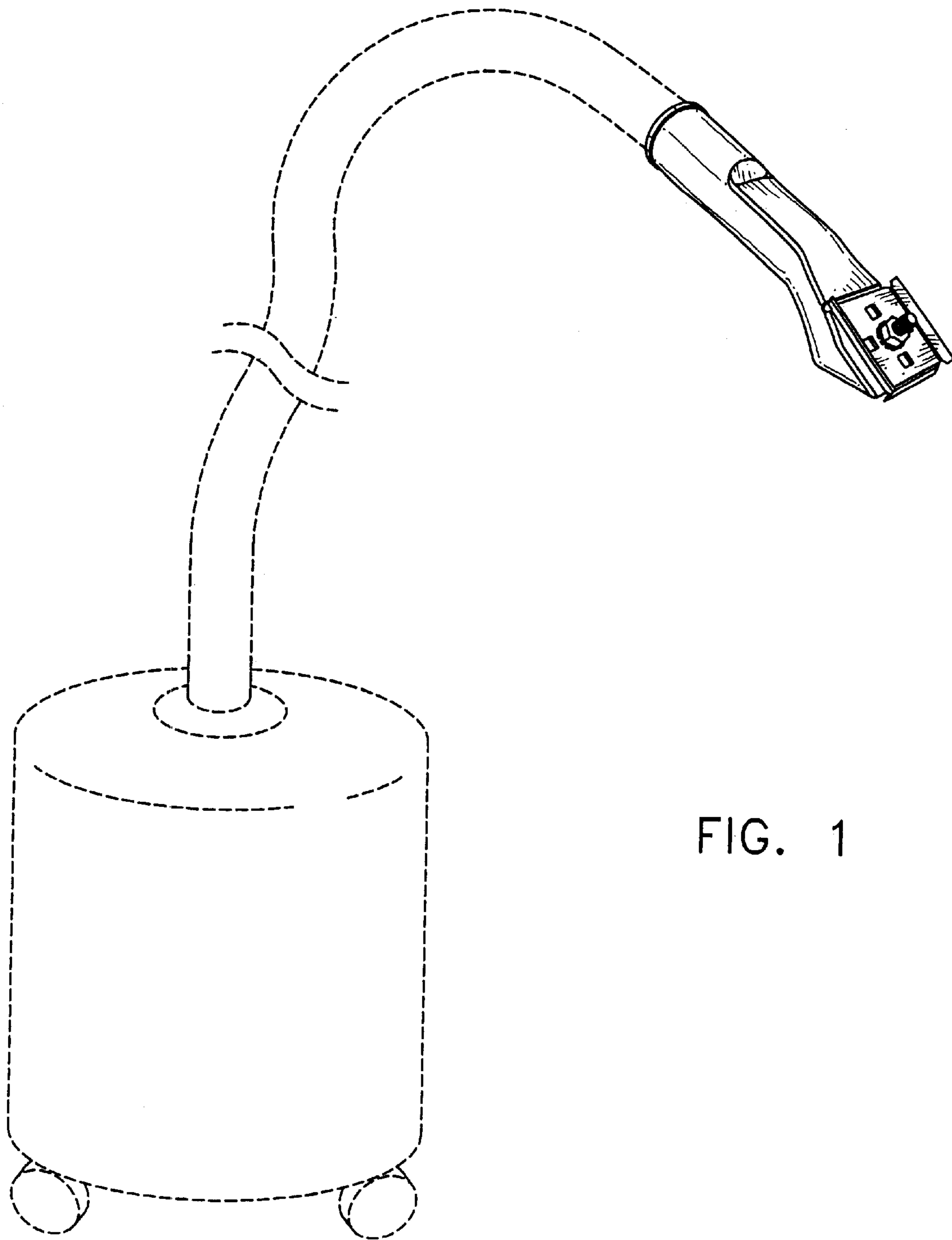


FIG. 1

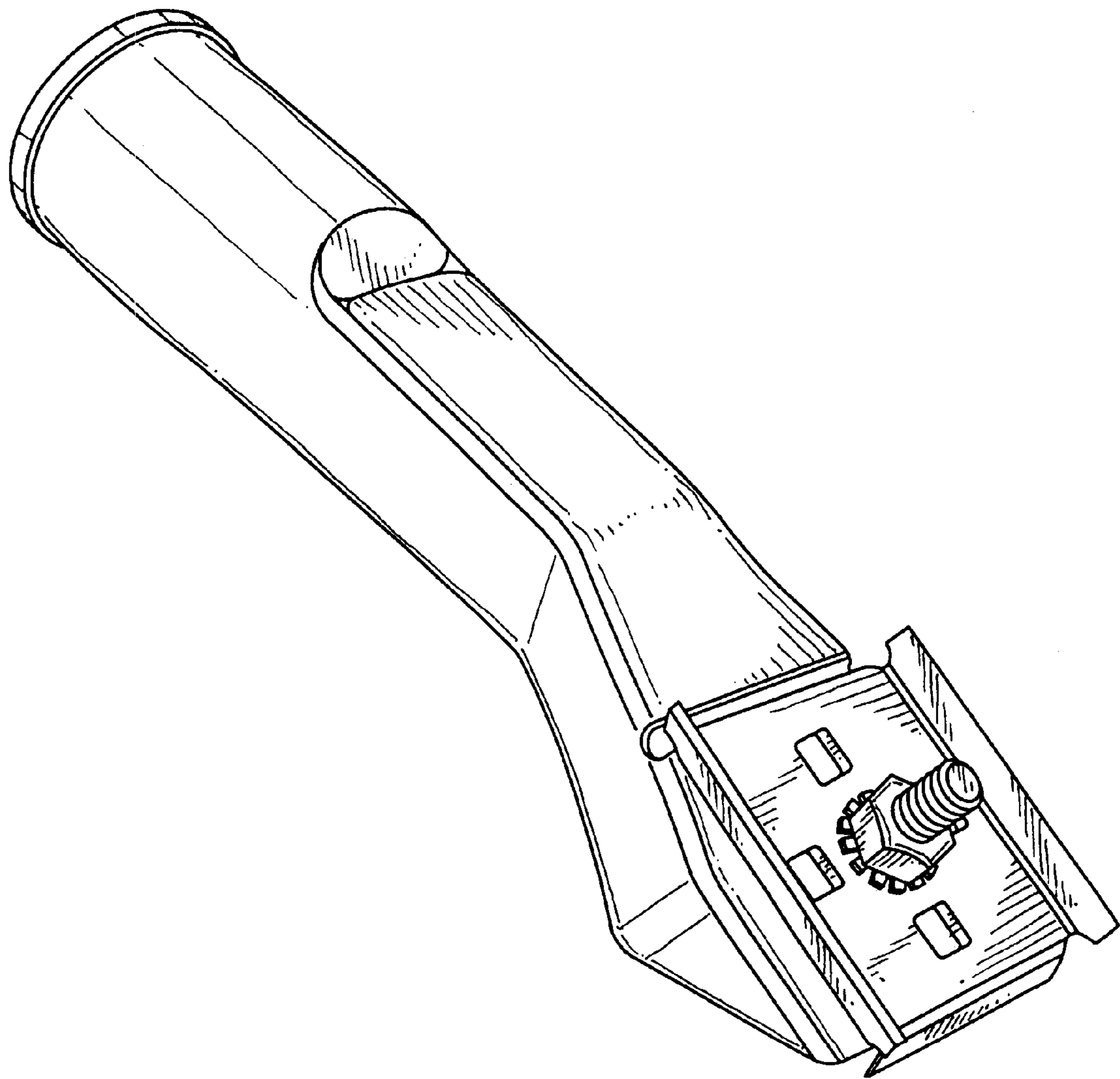


FIG. 2

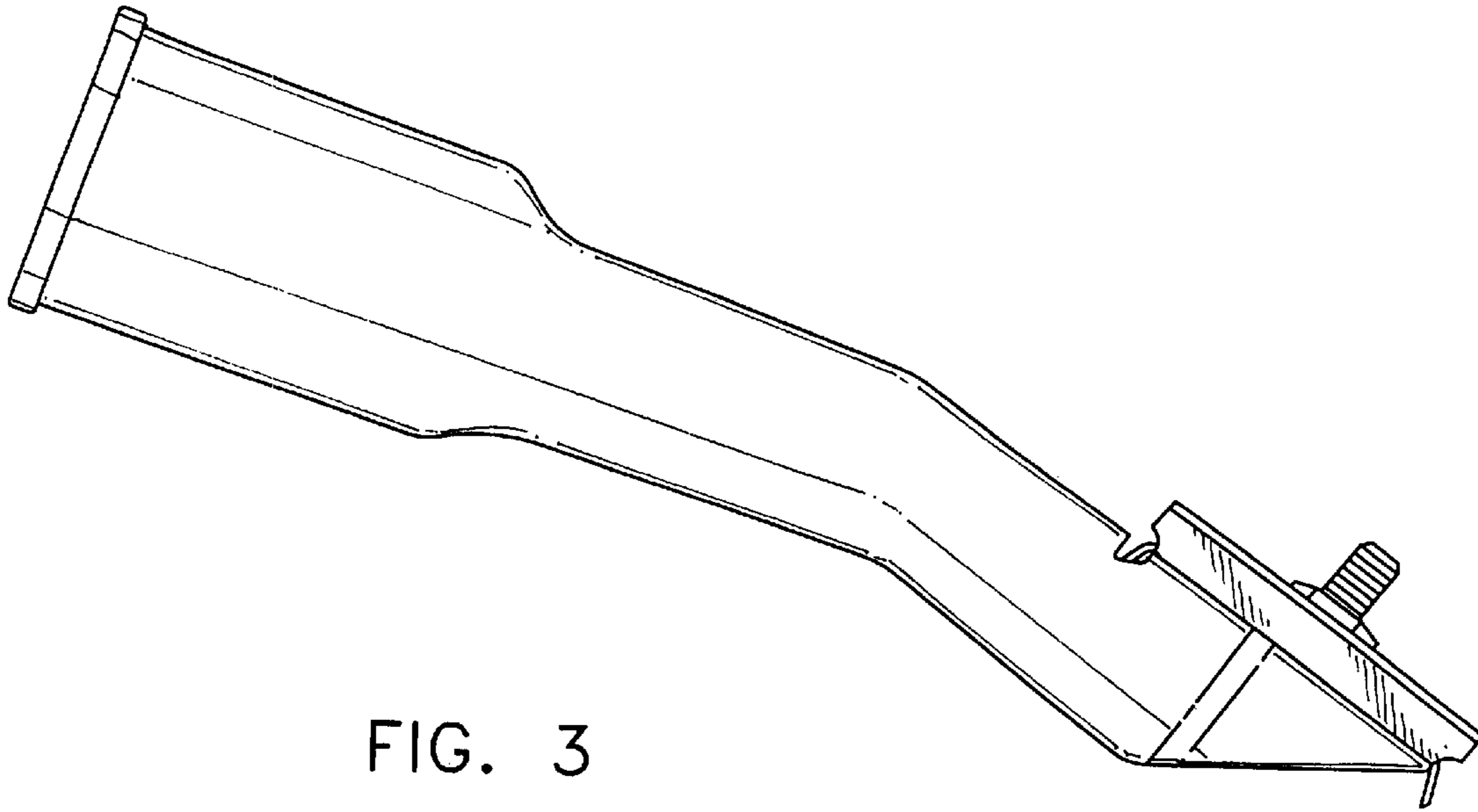


FIG. 3

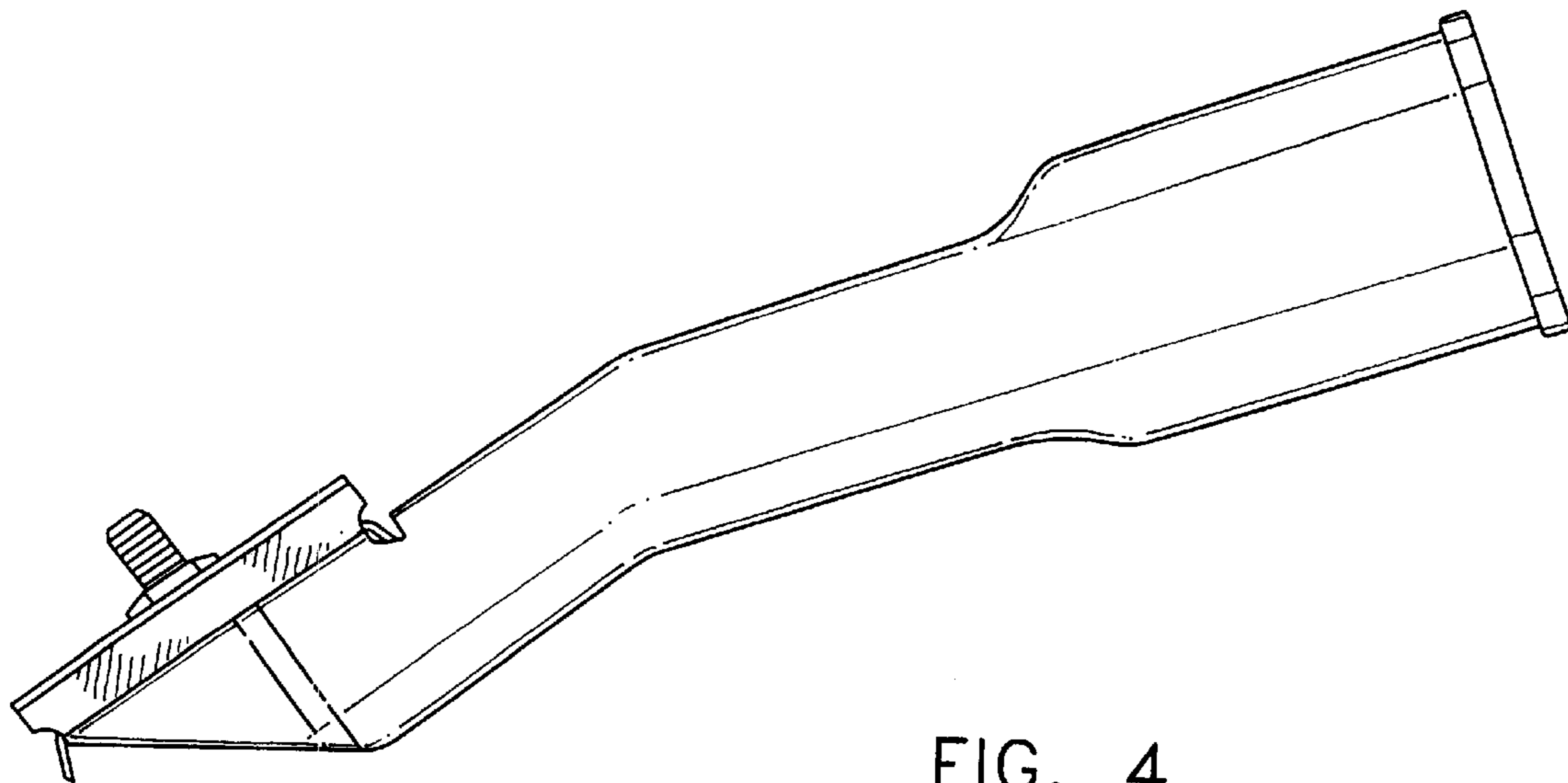


FIG. 4

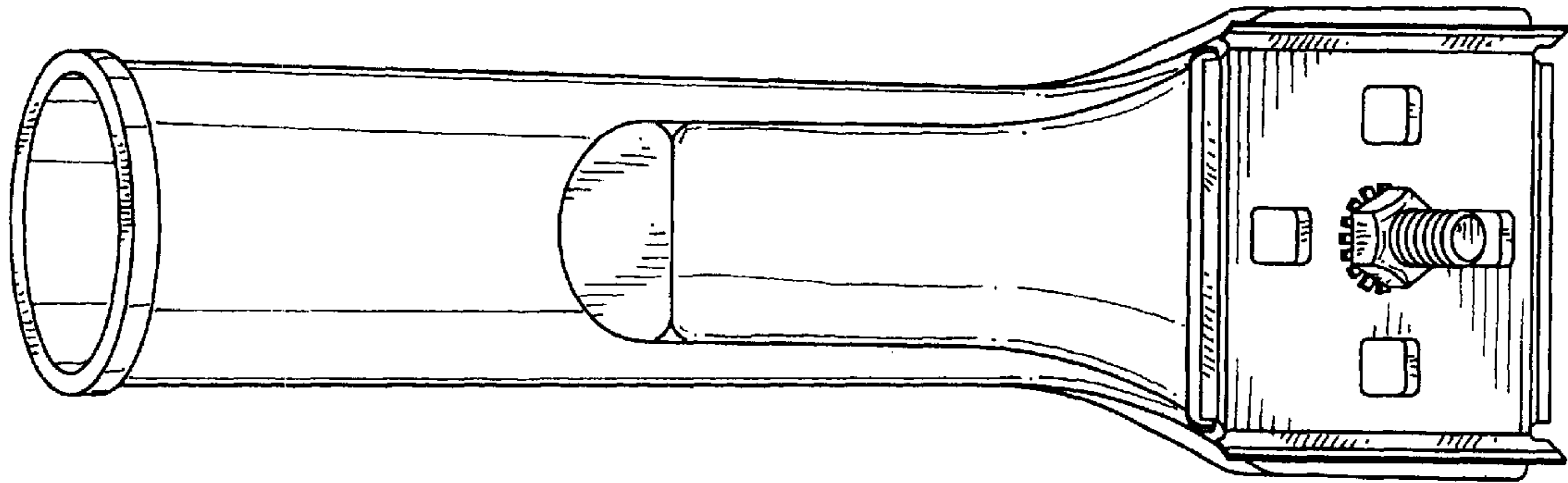


FIG. 5

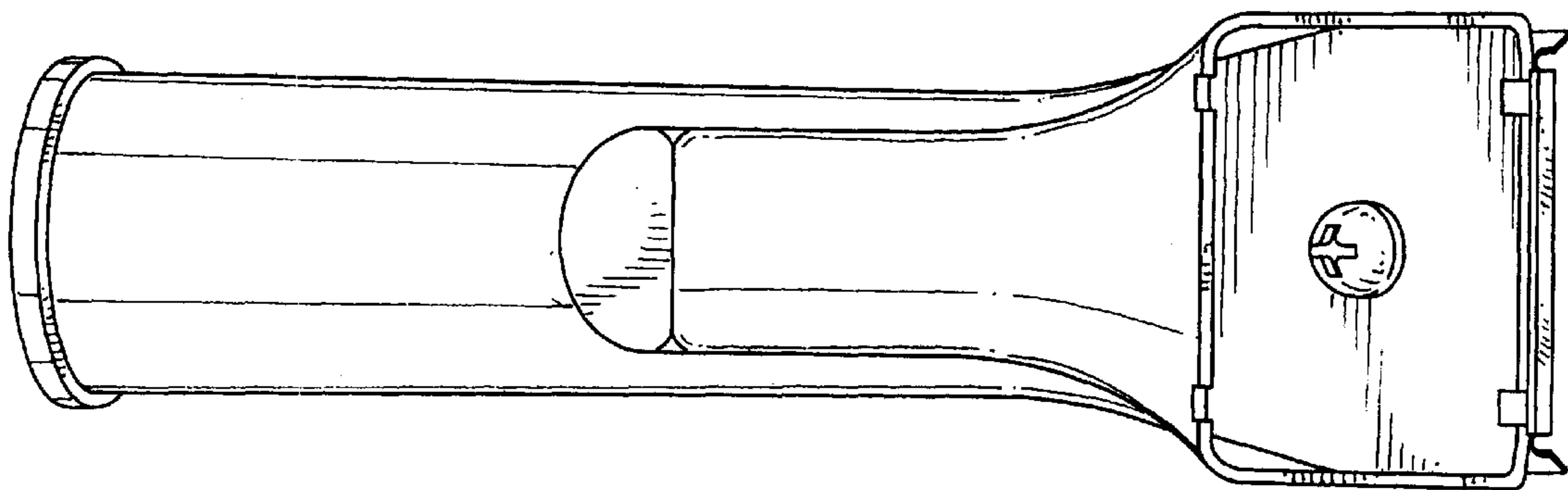


FIG. 6

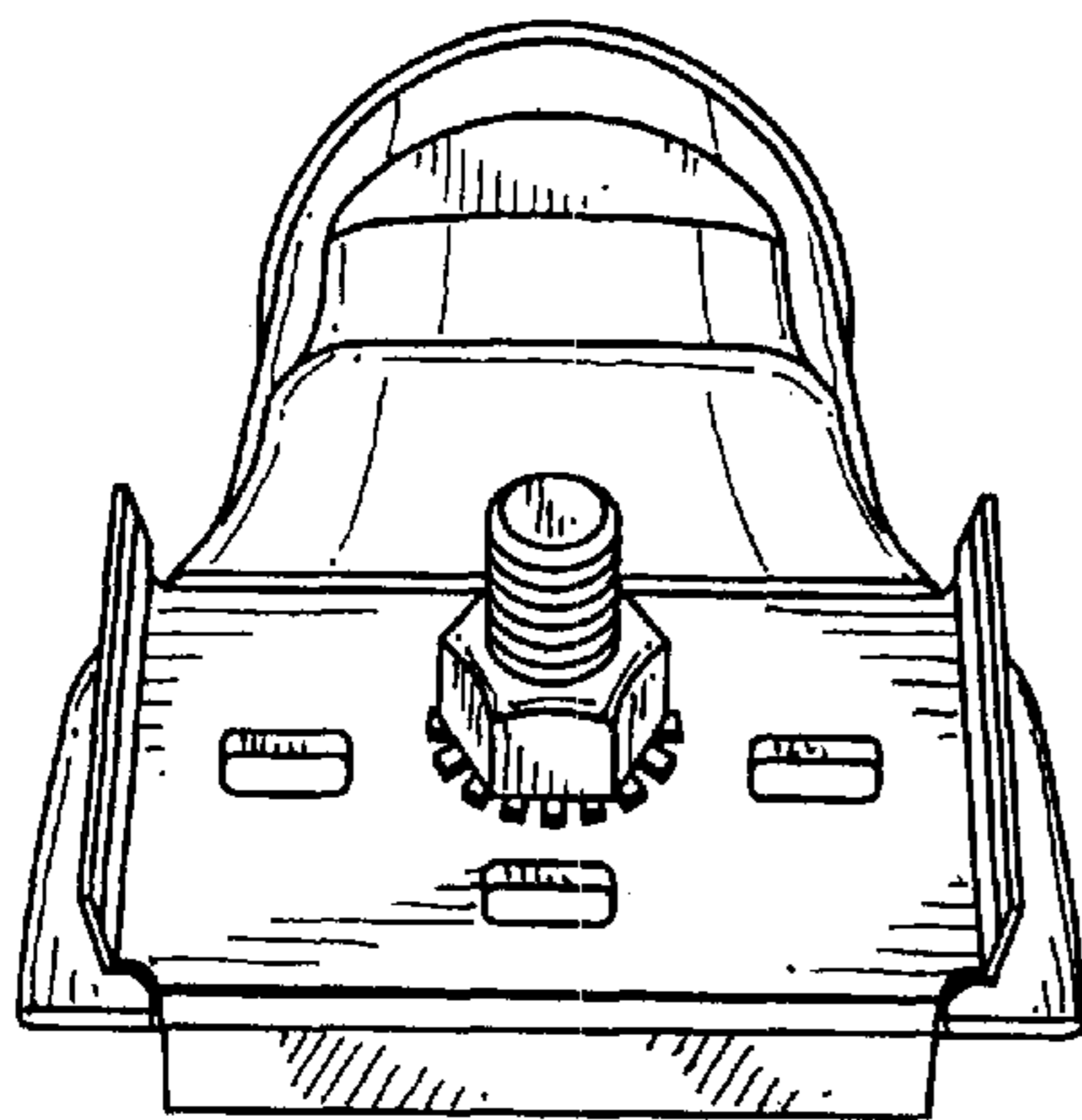


FIG. 7

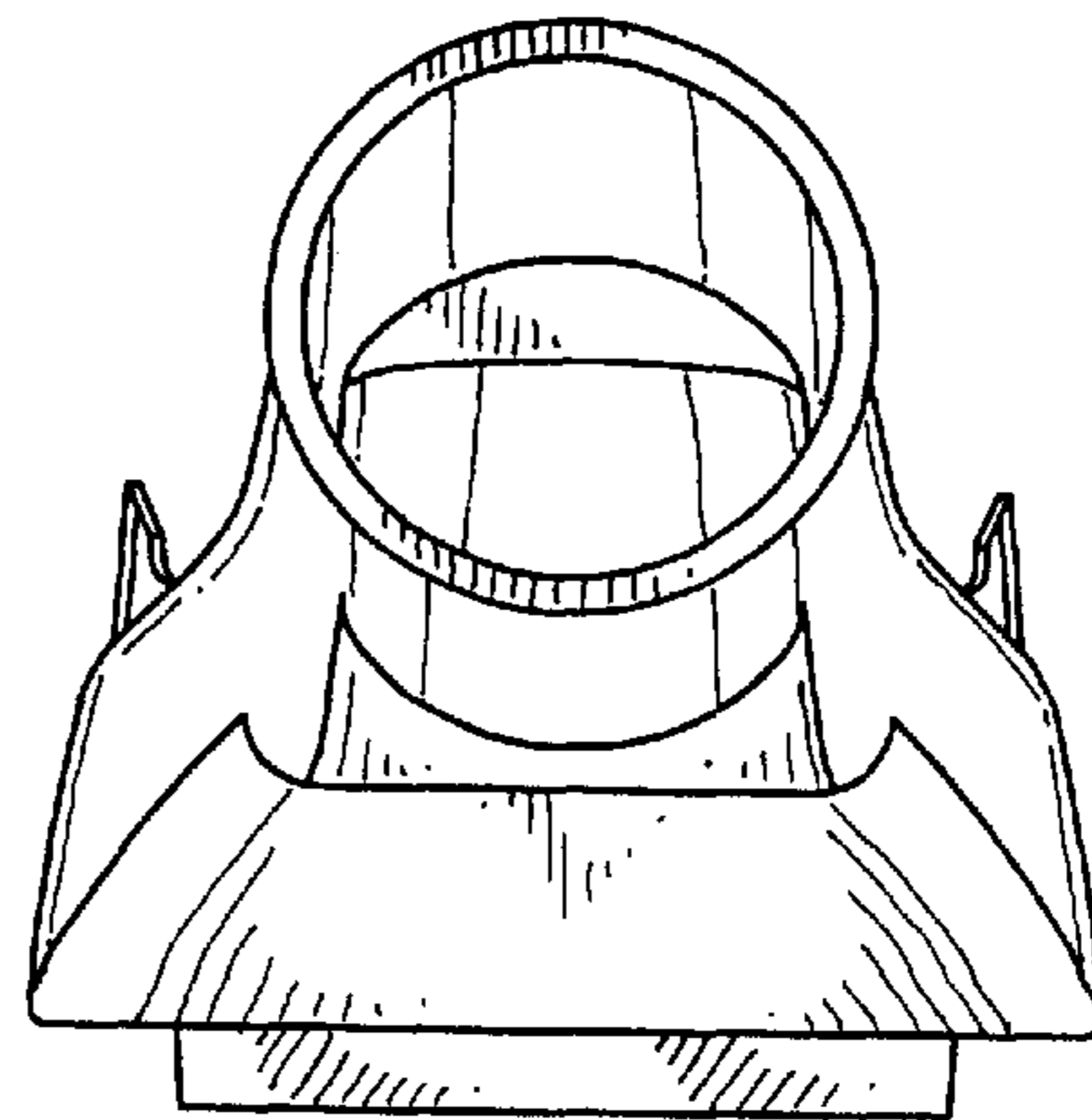


FIG. 8