



US00D540993S

(12) **United States Design Patent**  
**Beyaz**

(10) **Patent No.:** **US D540,993 S**

(45) **Date of Patent:** **\*\* Apr. 17, 2007**

(54) **PET COLLAR**

(75) Inventor: **Adrian Beyaz**, Inglewood, CA (US)

(73) Assignee: **Chrome Bones, Inc.**, Sun Valley, CA (US)

(\*\*) Term: **14 Years**

(21) Appl. No.: **29/231,942**

(22) Filed: **Jun. 9, 2005**

(51) **LOC (8) Cl.** ..... **30-04**

(52) **U.S. Cl.** ..... **D30/152**

(58) **Field of Classification Search** ..... 119/850,  
119/855-59, 862-65, 654, 712, 714, 720,  
119/725, 760, 762, 763-75, 792-94, 815,  
119/821; D30/151, 152; 24/188, 662; D11/3,  
D11/12, 200; D2/609, 627, 624, 632  
See application file for complete search history.

(56) **References Cited**

**U.S. PATENT DOCUMENTS**

2,205,711	A	*	6/1940	Banks	.....	119/654
D126,823	S	*	4/1941	Cohen	.....	D2/632
D155,430	S	*	10/1949	Krasnow	.....	D2/632
D214,736	S	*	7/1969	Anderson	.....	D30/152
4,151,936	A	*	5/1979	Hawkes	.....	224/676
D417,040	S	*	11/1999	Weick	.....	D30/152
D428,218	S	*	7/2000	Dehart	.....	D30/152
6,557,498	B1	*	5/2003	Smierciak et al.	.....	119/858
D498,336	S	*	11/2004	Hong	.....	D30/152

**OTHER PUBLICATIONS**

In the Company of Dogs Catalogue Summer 2001, p. 35  
“Wild Side Collars”.\*

Care-a-Lot Catalogue Spring 2002, pp. 68, 64—“Spike an  
Leather” Collars.\*

\* cited by examiner

*Primary Examiner*—M. H. Tung

*Assistant Examiner*—Susan Moon Lee

(74) *Attorney, Agent, or Firm*—Christie, Parker & Hale,  
LLP.

(57) **CLAIM**

I claim the ornamental design for a pet collar, as shown and  
described.

**DESCRIPTION**

FIG. 1 is an enlarged perspective view of the pet collar  
according to the present invention;

FIG. 2 is a top plan view of the pet collar according to the  
present invention;

FIG. 3 is a side view of the pet collar according to the present  
invention;

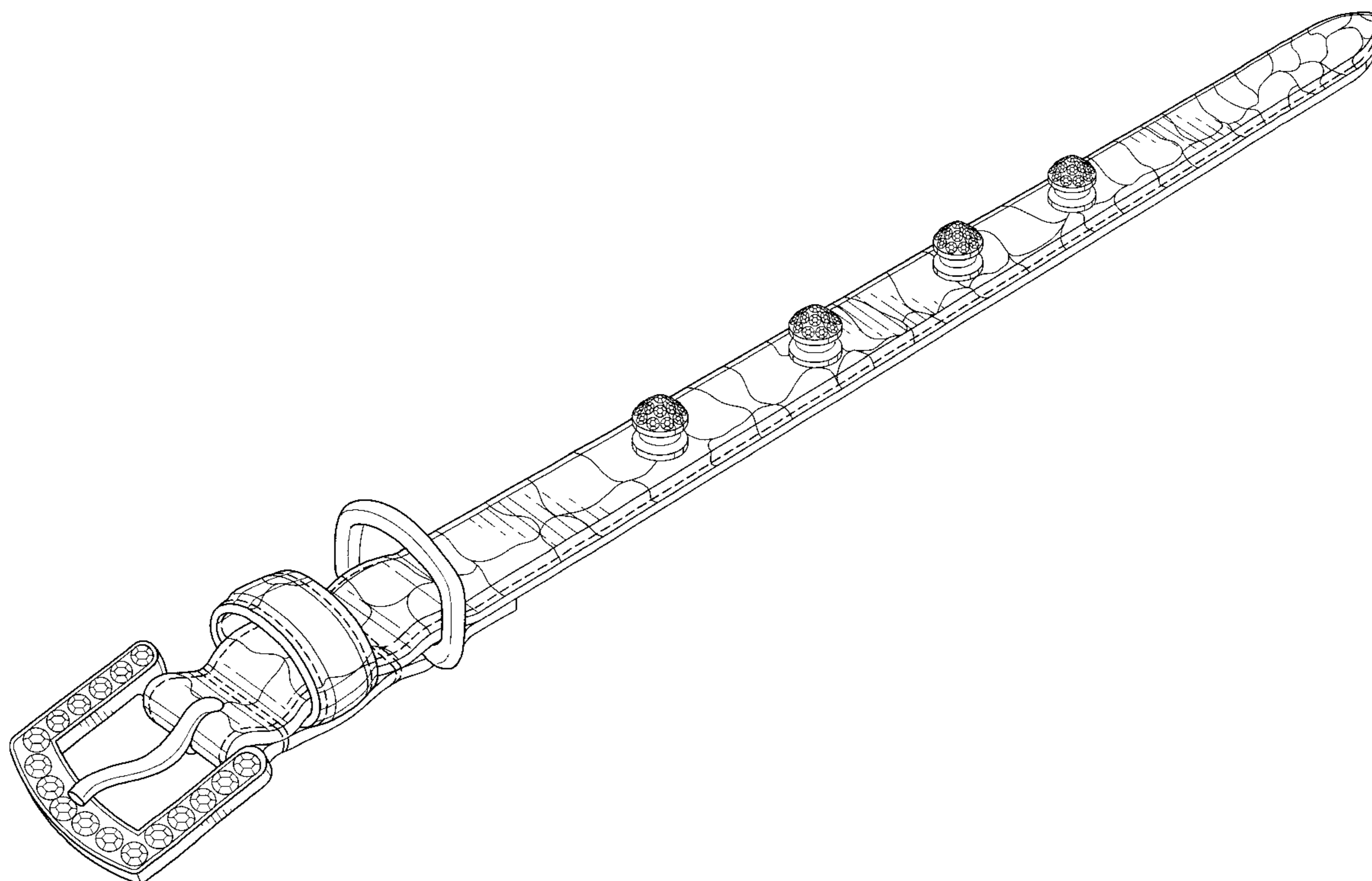
FIG. 4 is a bottom plan view of the pet collar according to  
the present invention;

FIG. 5 is an enlarged front view of the pet collar according  
to the present invention; and,

FIG. 6 is an enlarged rear view of the pet collar according  
to the present invention.

The dashed lines represent stitching.

**1 Claim, 2 Drawing Sheets**



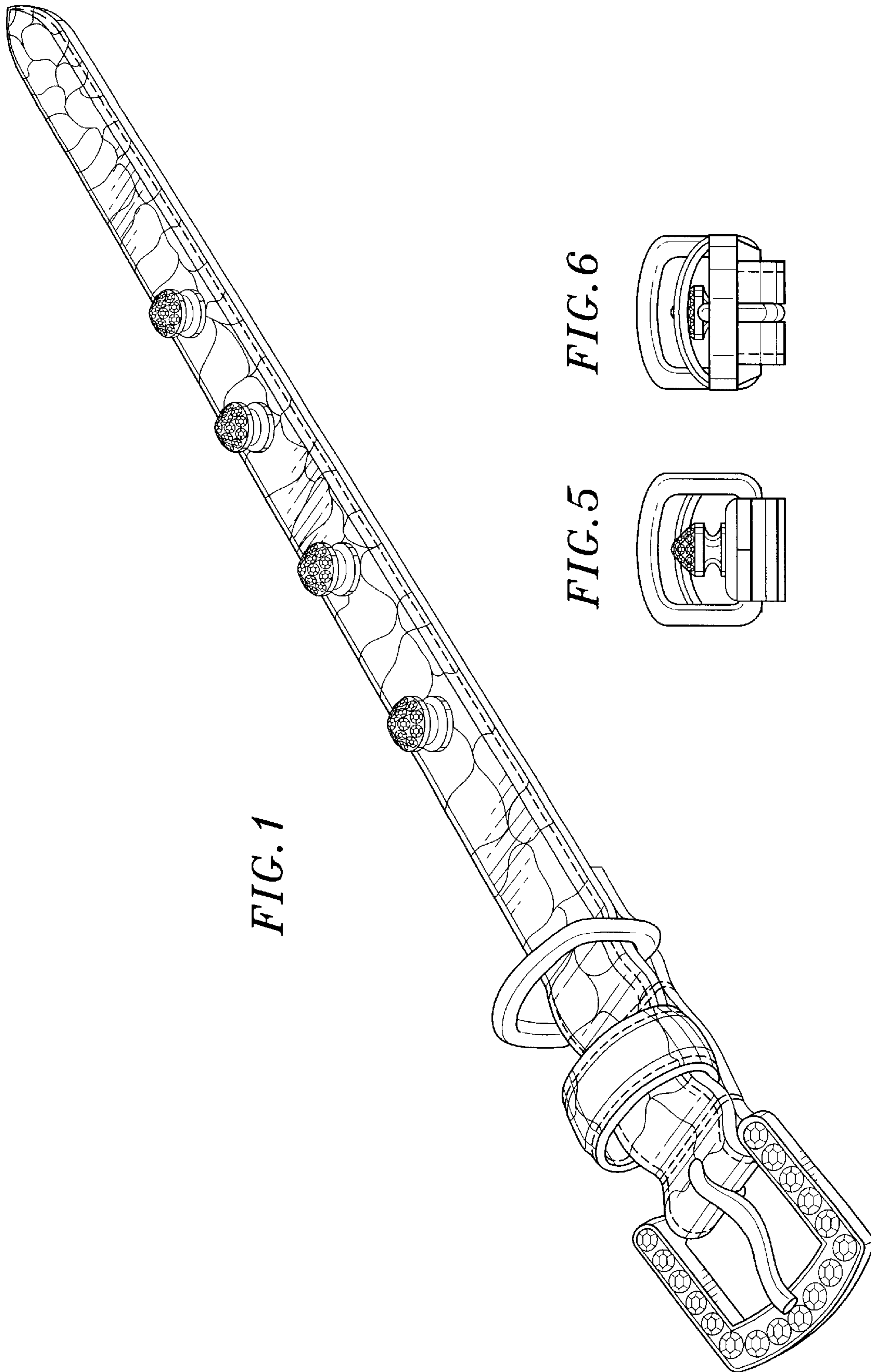


FIG. 1

FIG. 5

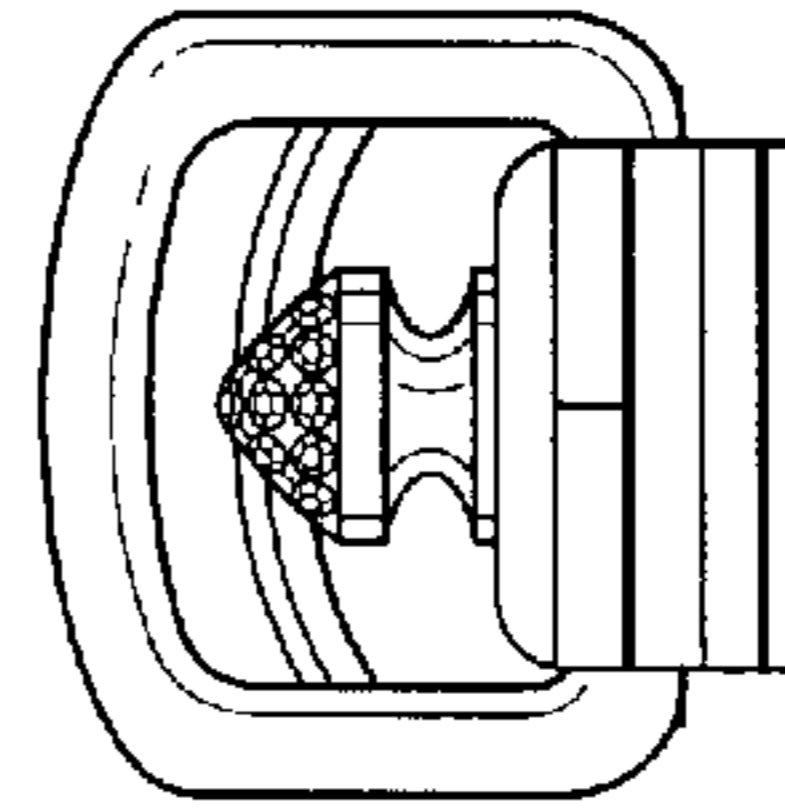


FIG. 6

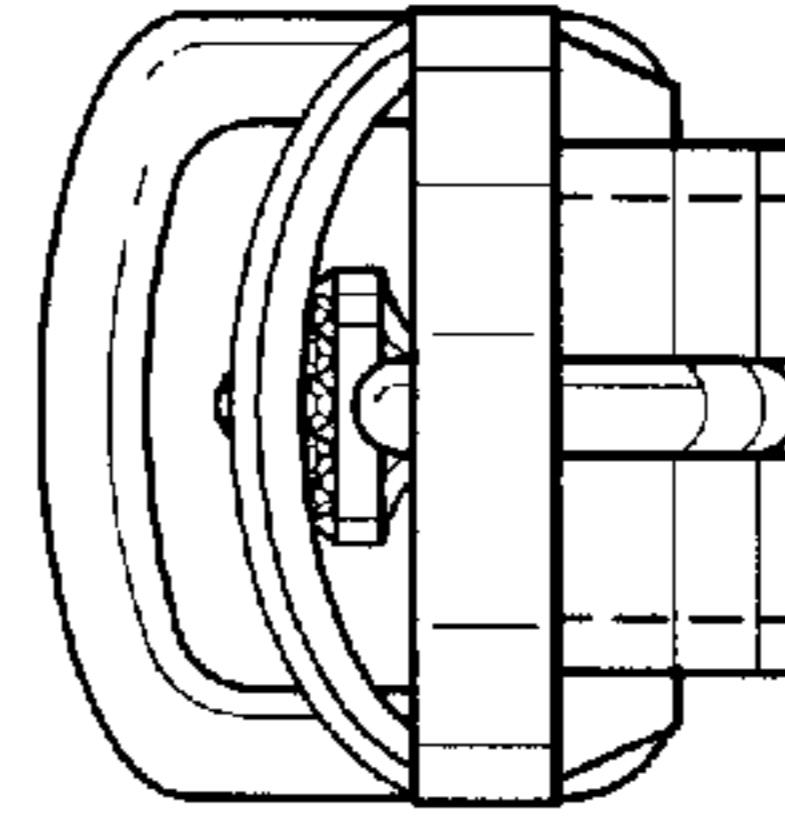


FIG. 2

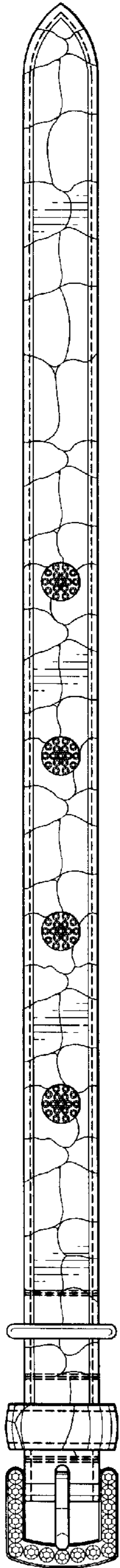


FIG. 3

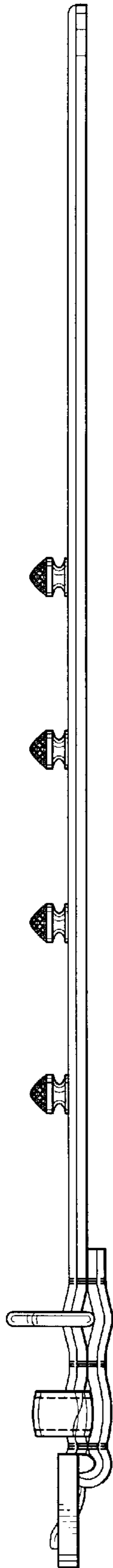


FIG. 4

