



US00D540992S

(12) **United States Design Patent**  
**Fick**

(10) **Patent No.:** **US D540,992 S**

(45) **Date of Patent:** **\*\* Apr. 17, 2007**

(54) **LARGE PET FOOD STORAGE CONTAINER**

(74) *Attorney, Agent, or Firm*—Hovey Williams LLP

(75) Inventor: **Orval Lee Fick**, Miami, OK (US)

(57) **CLAIM**

(73) Assignee: **Blitz U.S.A., Inc.**, Miami, OK (US)

The ornamental design for a large pet food storage container, as shown and described.

(\*\*) Term: **14 Years**

**DESCRIPTION**

(21) Appl. No.: **29/228,765**

FIG. 1 is a perspective view of a large pet food storage container embodying my design, with the feet and lower margin of the basin, the hinge assembly for the primary lid, the latch assemblies for releasably securing the primary lid in the closed position, a number of sections along the primary lid, the auxiliary lid, the hinge assembly for the auxiliary lid, the recessed portion of the front wall for receiving the auxiliary lid of a lower stacked container (not shown), and the corrugations spaced about the sidewall of the basin being shown in broken lines for illustrative purposes only and forming no part of the claimed design;

(22) Filed: **Apr. 28, 2005**

(51) **LOC (8) Cl.** ..... **30-03**

(52) **U.S. Cl.** ..... **D30/133; D3/294; D7/629**

(58) **Field of Classification Search** ..... D30/121, D30/122, 129–133; D3/272, 273, 294; D7/629, D7/612–615; D9/430–432; 119/52.1, 51.11, 119/51.12, 77; 220/780–815, 832, 836, 913  
See application file for complete search history.

FIG. 2 is a front elevation view of the large pet food storage container shown in FIG. 1;

(56) **References Cited**

**U.S. PATENT DOCUMENTS**

4,260,069	A	*	4/1981	Juergens	.....	220/812
D284,728	S	*	7/1986	Trivison	.....	D7/629
D311,665	S	*	10/1990	Carlson	.....	D7/629
D378,636	S		4/1997	Chrisco		
5,673,811	A	*	10/1997	Dickinson et al.	.....	220/812
D405,560	S		2/1999	Chrisco		
D438,066	S	*	2/2001	Beach et al.	.....	D7/629
D469,011	S	*	1/2003	Miller	.....	D9/432

FIG. 3 is a side elevation view of the large pet food storage container depicted in FIGS. 1 and 2, with the opposite side elevation being a mirror image thereof;

FIG. 4 is a rear elevation view of the large pet food storage container depicted in FIGS. 1–3;

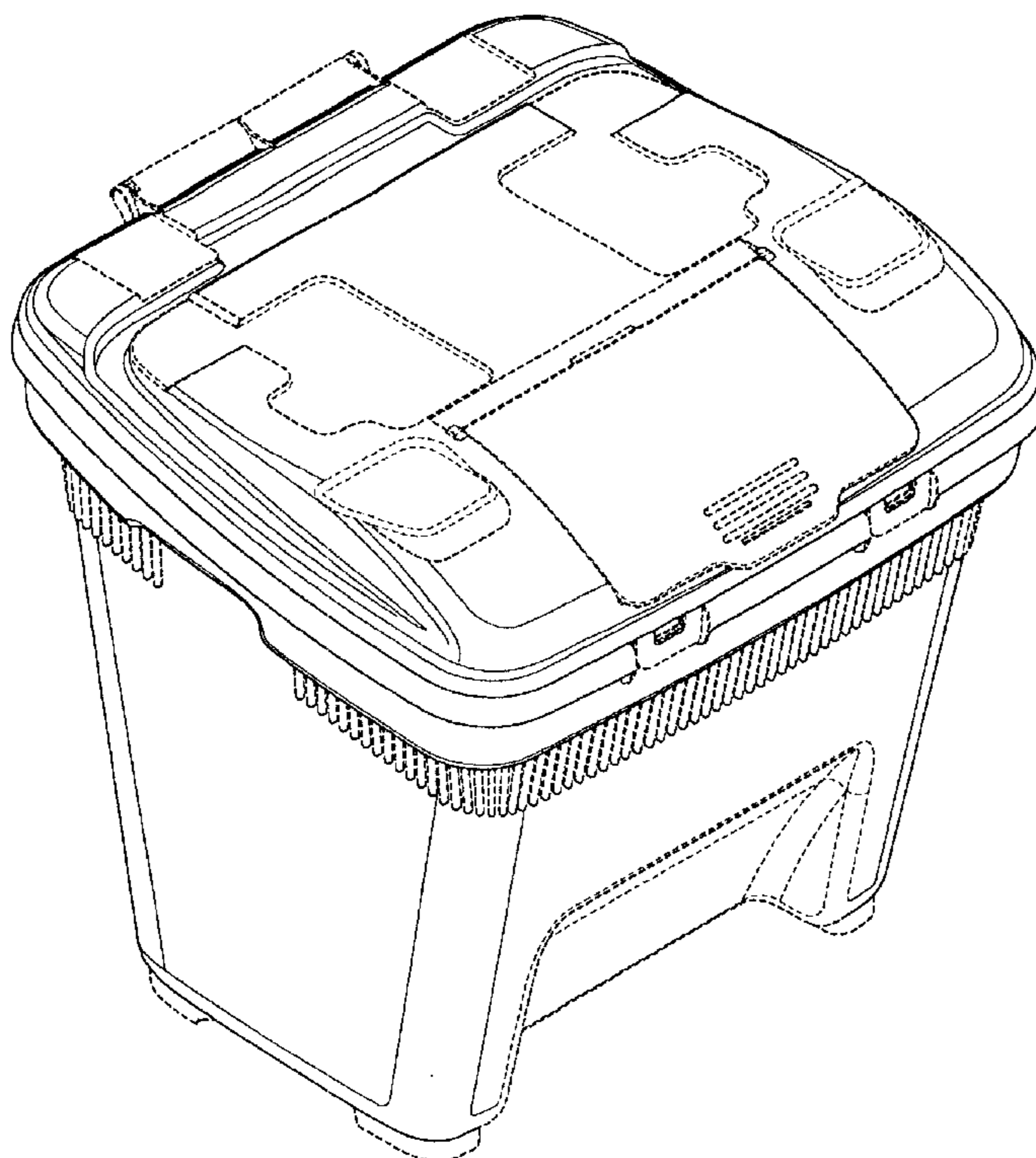
FIG. 5 is a plan view of the large pet food storage container depicted in FIGS. 1–4; and,

FIG. 6 is a bottom elevation view of the large pet food storage container depicted in FIGS. 1–5.

\* cited by examiner

*Primary Examiner*—Terry A. Wallace

**1 Claim, 3 Drawing Sheets**



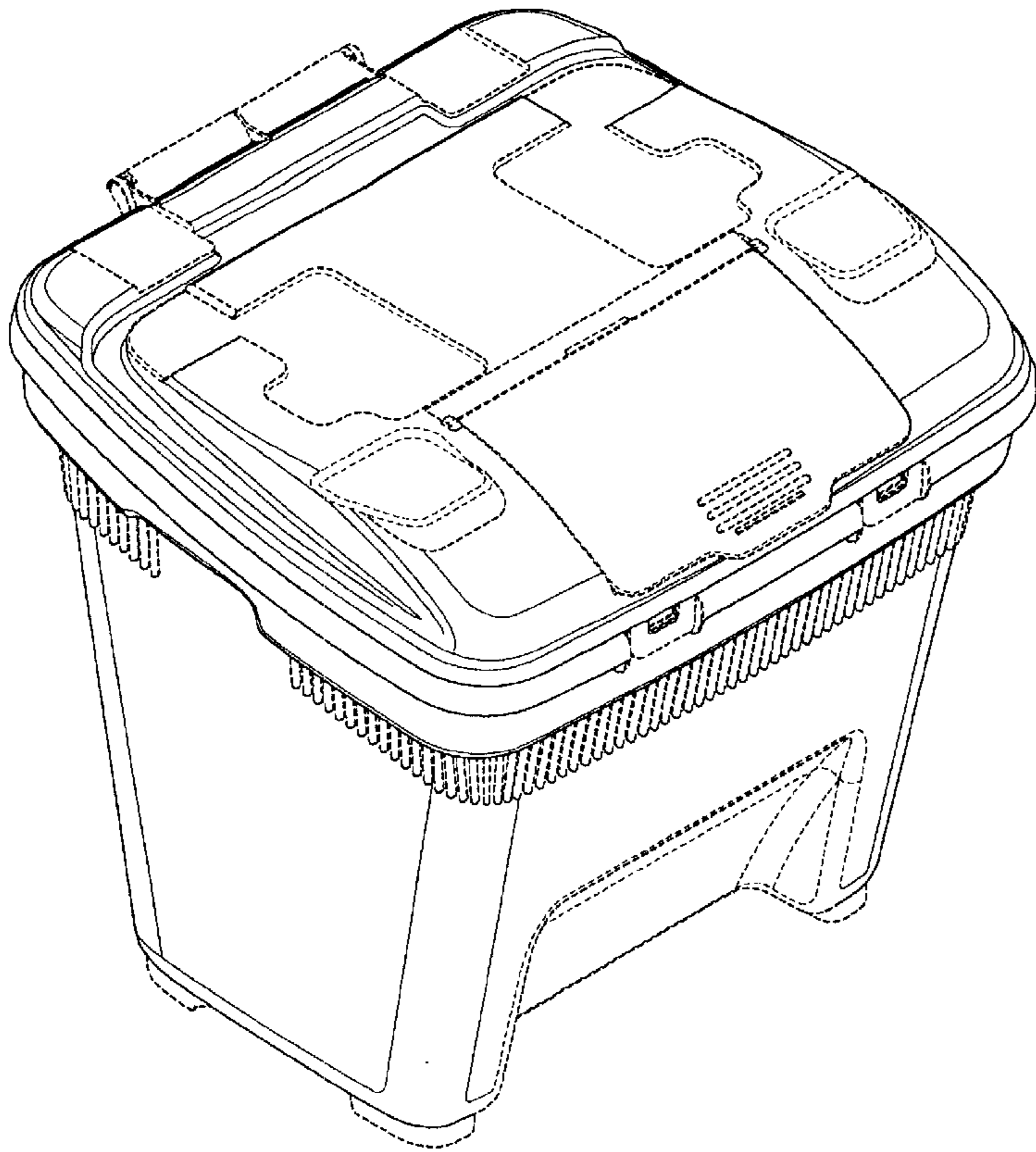


FIG. 1

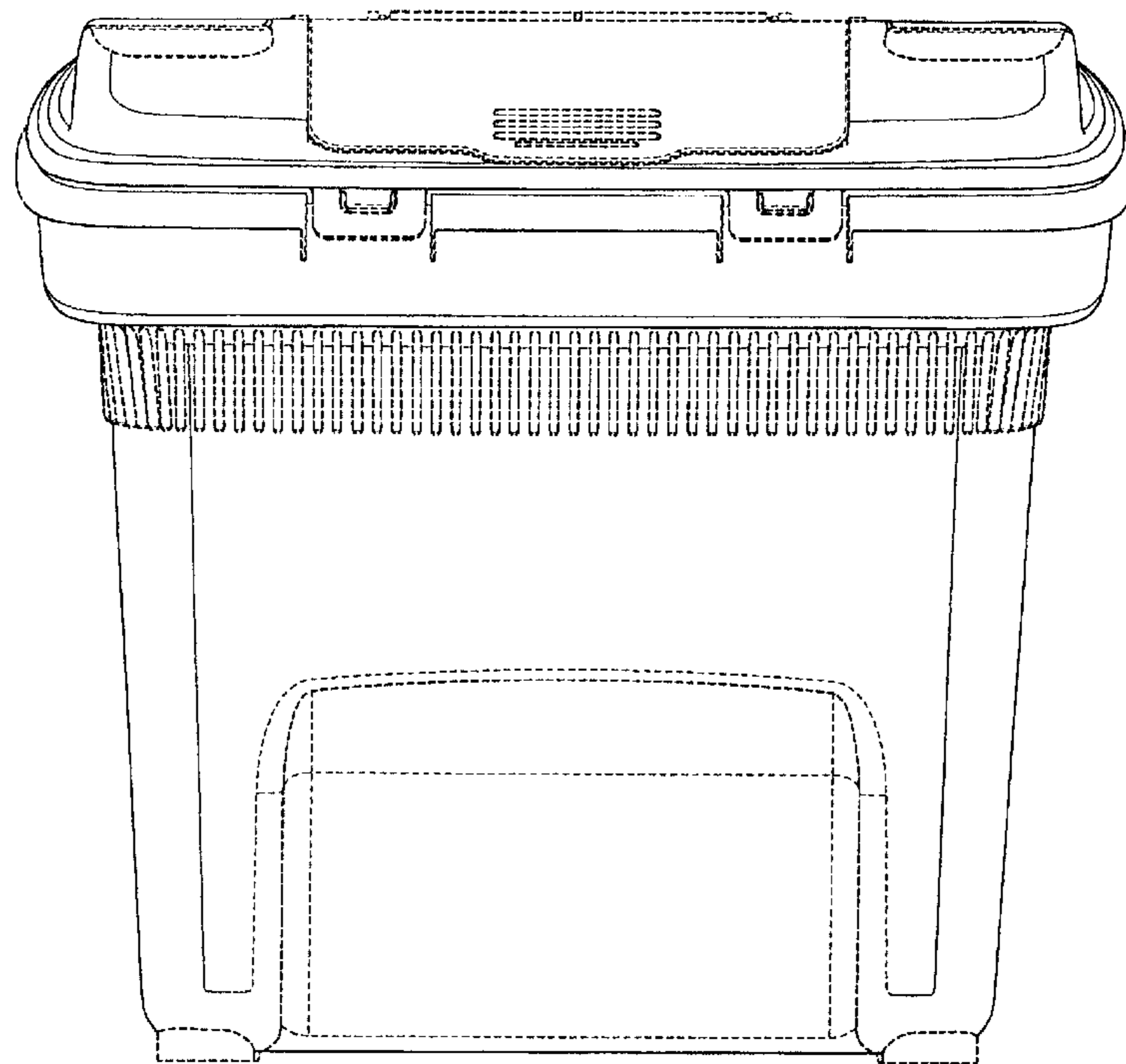


FIG. 2

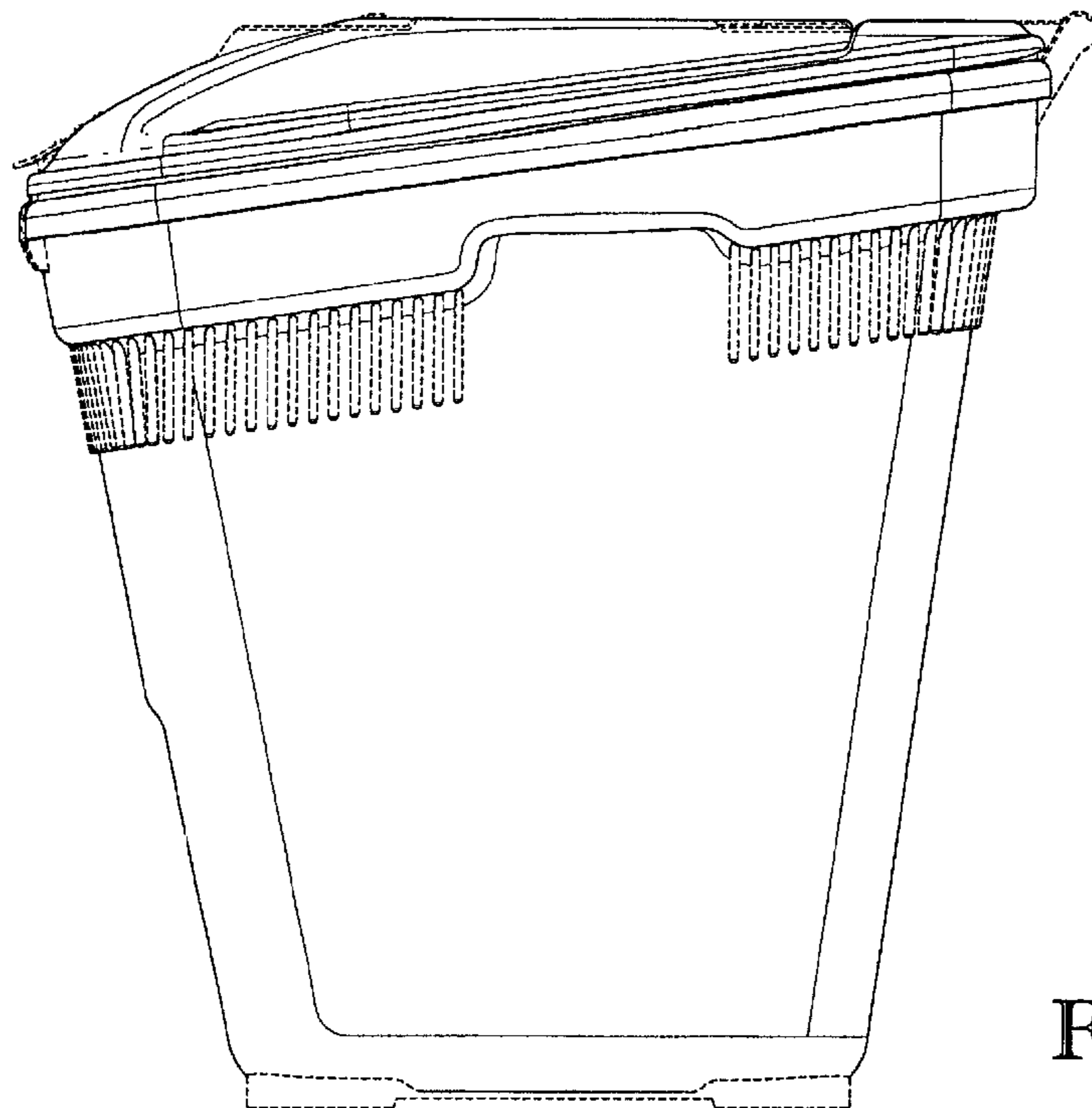


FIG. 3

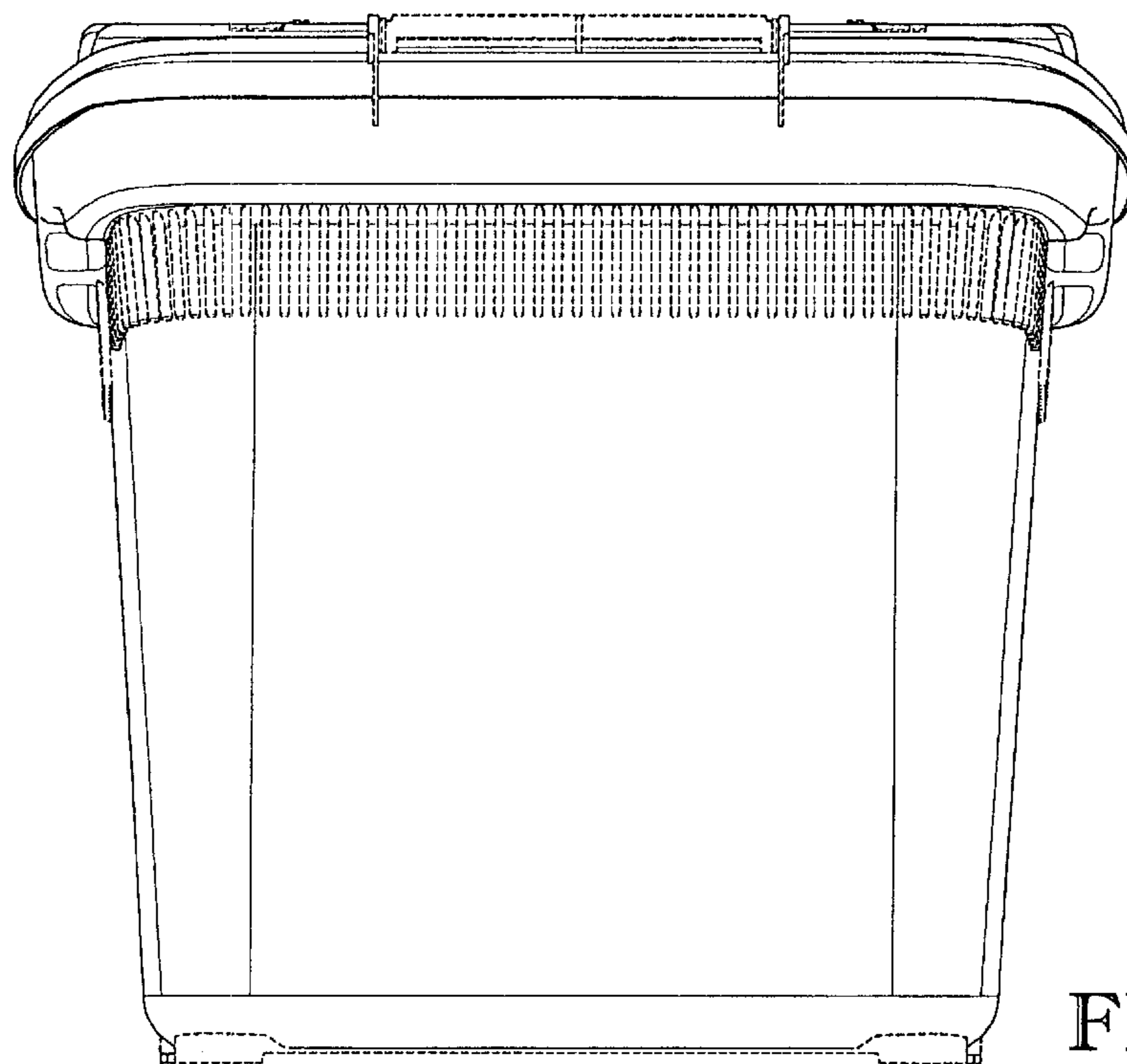


FIG. 4



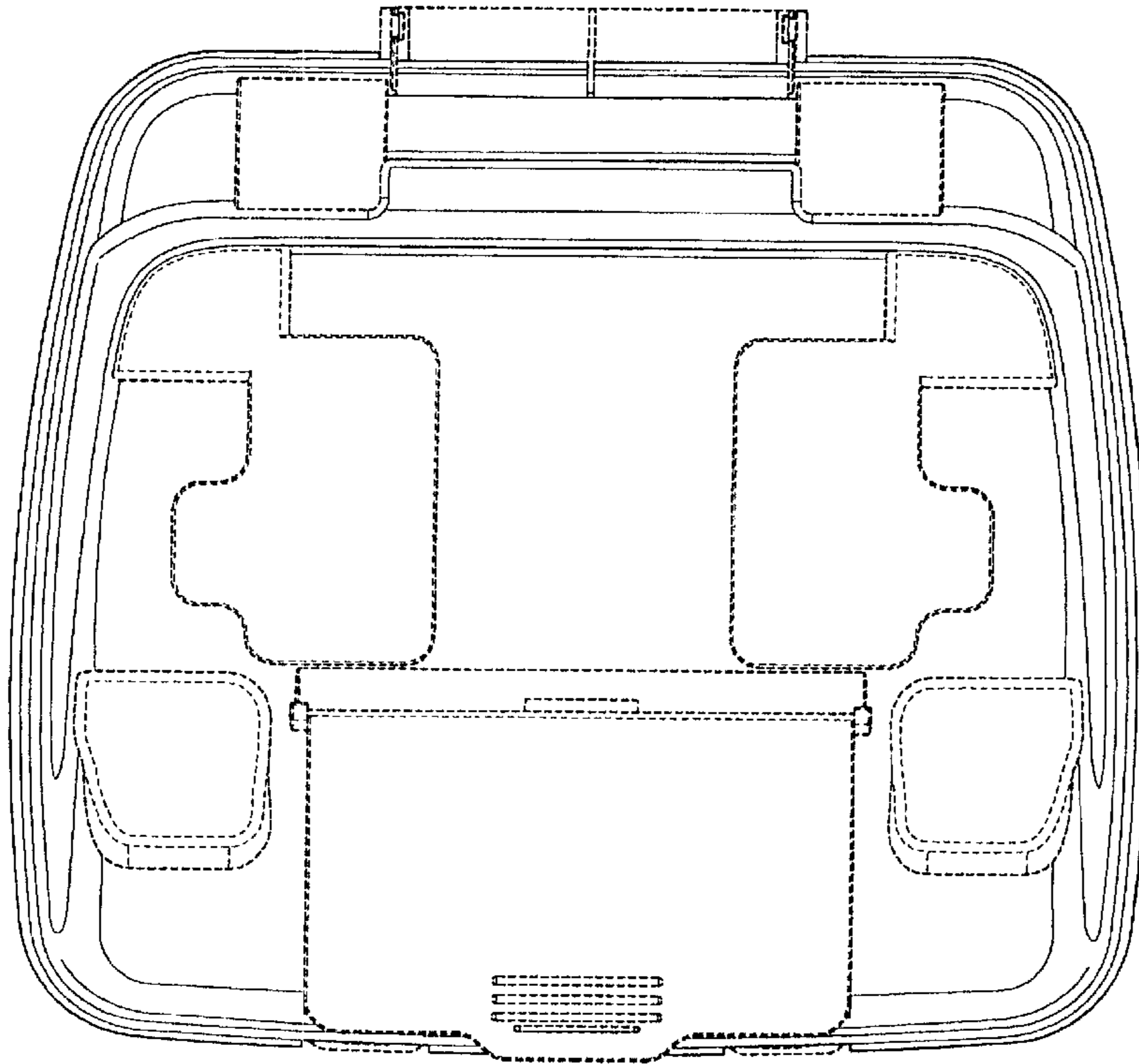


FIG. 5

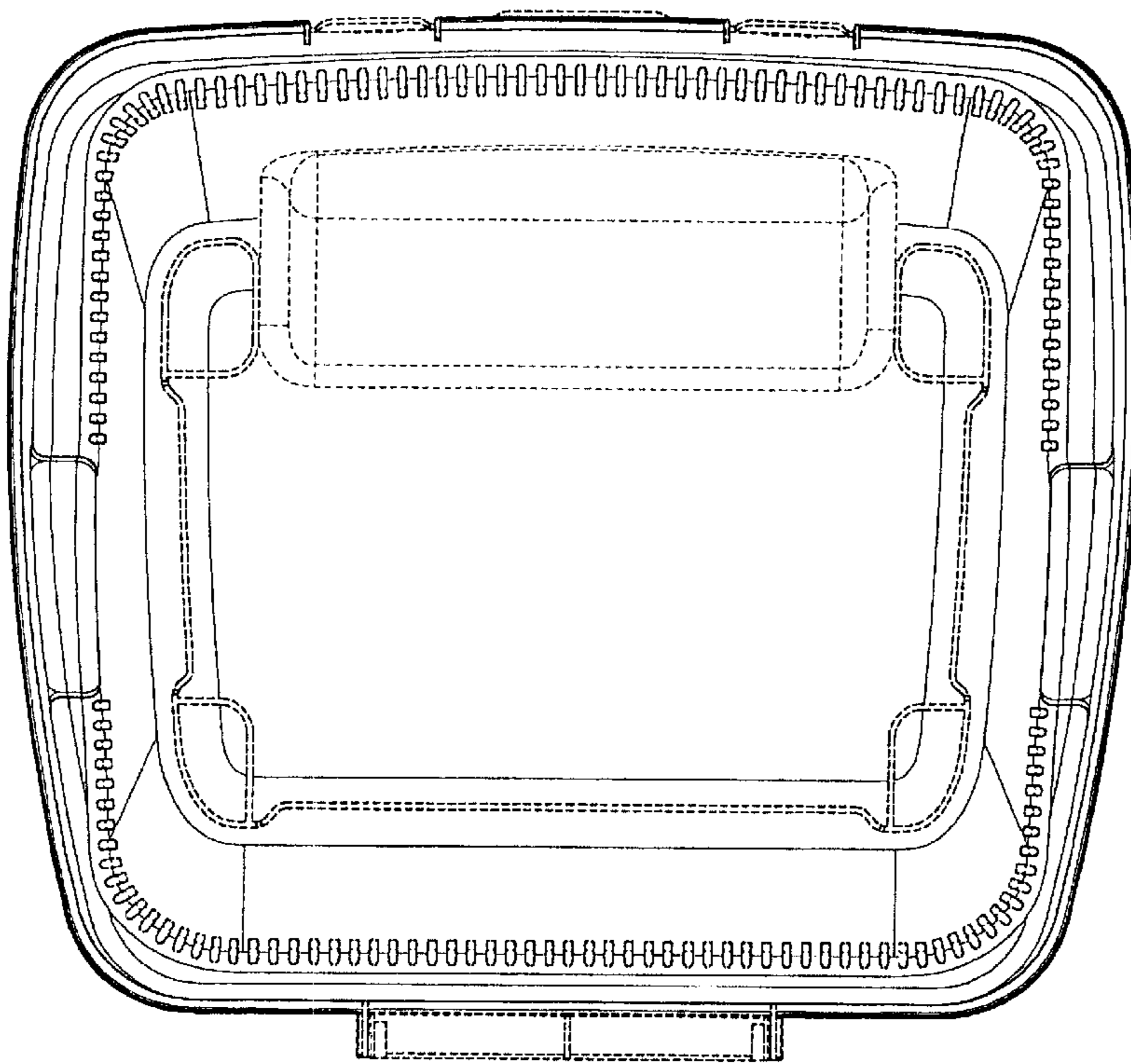


FIG. 6