

US00D540989S

(12) **United States Design Patent**  
**Huh**

(10) **Patent No.:** **US D540,989 S**

(45) **Date of Patent:** **\*\* Apr. 17, 2007**

(54) **WELDING MASK**

(75) Inventor: **Moon Young Huh**, Seoul (KR)

(73) Assignee: **Otos Tech Co., Ltd.**, Seoul (KR)

(\*\*) Term: **14 Years**

(21) Appl. No.: **29/237,554**

(22) Filed: **Aug. 31, 2005**

(51) **LOC (8) Cl.** ..... **29-02**

(52) **U.S. Cl.** ..... **D29/110**

(58) **Field of Classification Search** ..... D29/102-110,  
D29/122; 2/6.3, 6.5, 6.7, 424, 15, 426-427,  
2/431-432, 9, 206, 7, 8.1-8.8; 128/201.24,  
128/857

See application file for complete search history.

(56) **References Cited**

**U.S. PATENT DOCUMENTS**

D393,933 S 4/1998 Huh

D446,887 S 8/2001 Huh

D481,832 S 11/2003 Huh

D482,502 S 11/2003 Huh

D482,503 S 11/2003 Huh

D527,849 S \* 9/2006 Huh ..... D29/110

\* cited by examiner

*Primary Examiner*—Ruth McInroy

(74) *Attorney, Agent, or Firm*—Jordan and Hamburg LLP

(57) **CLAIM**

The ornamental design for a welding mask, as shown.

**DESCRIPTION**

FIG. 1 is a perspective view showing my new design;  
FIG. 2 is a front elevation view;  
FIG. 3 is a rear elevation view;  
FIG. 4 is a left elevation view, the right side elevation view  
being a mirror image thereof;  
FIG. 5 is a top plan view; and,  
FIG. 6 is a bottom plan view.

**1 Claim, 6 Drawing Sheets**

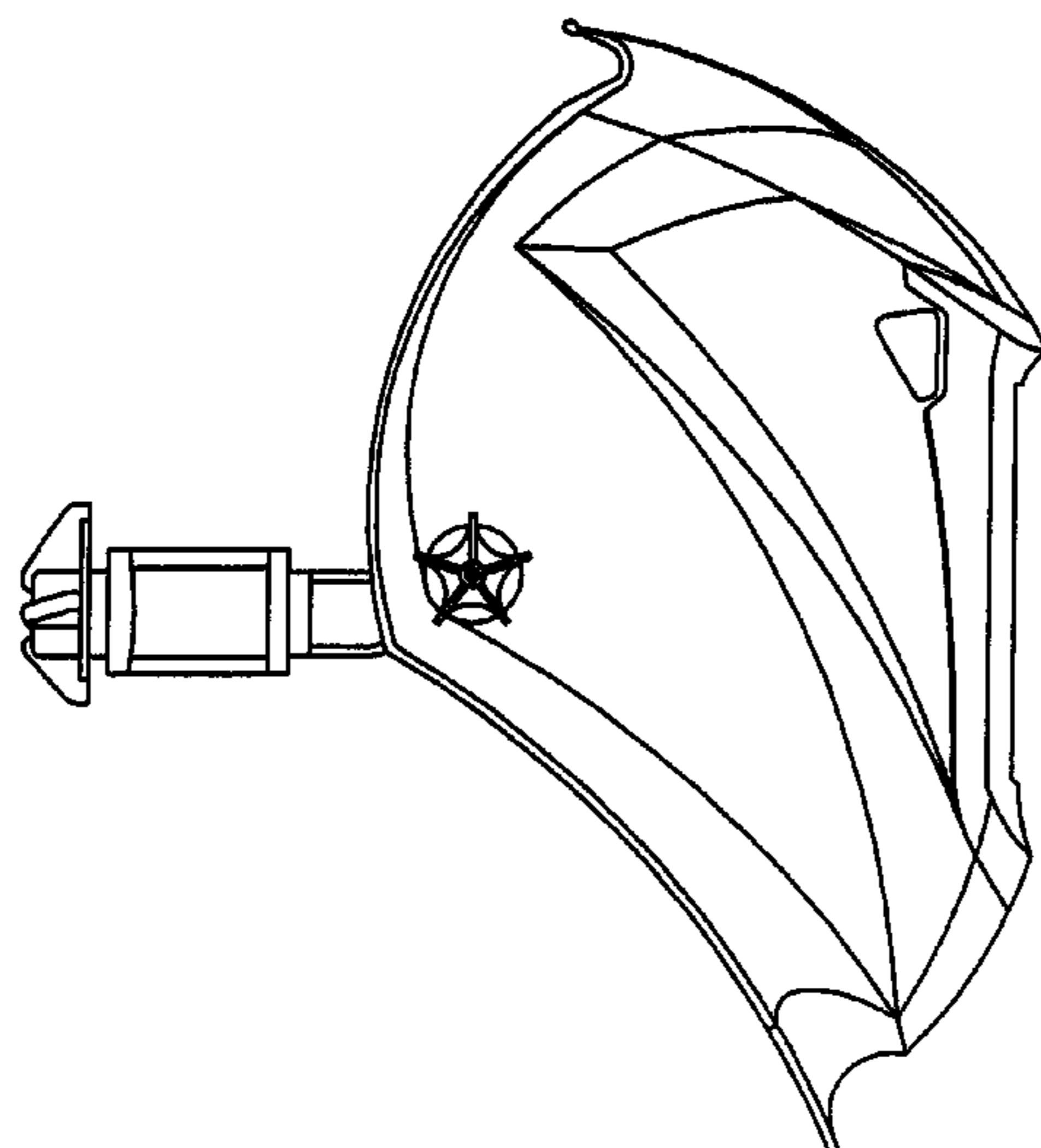
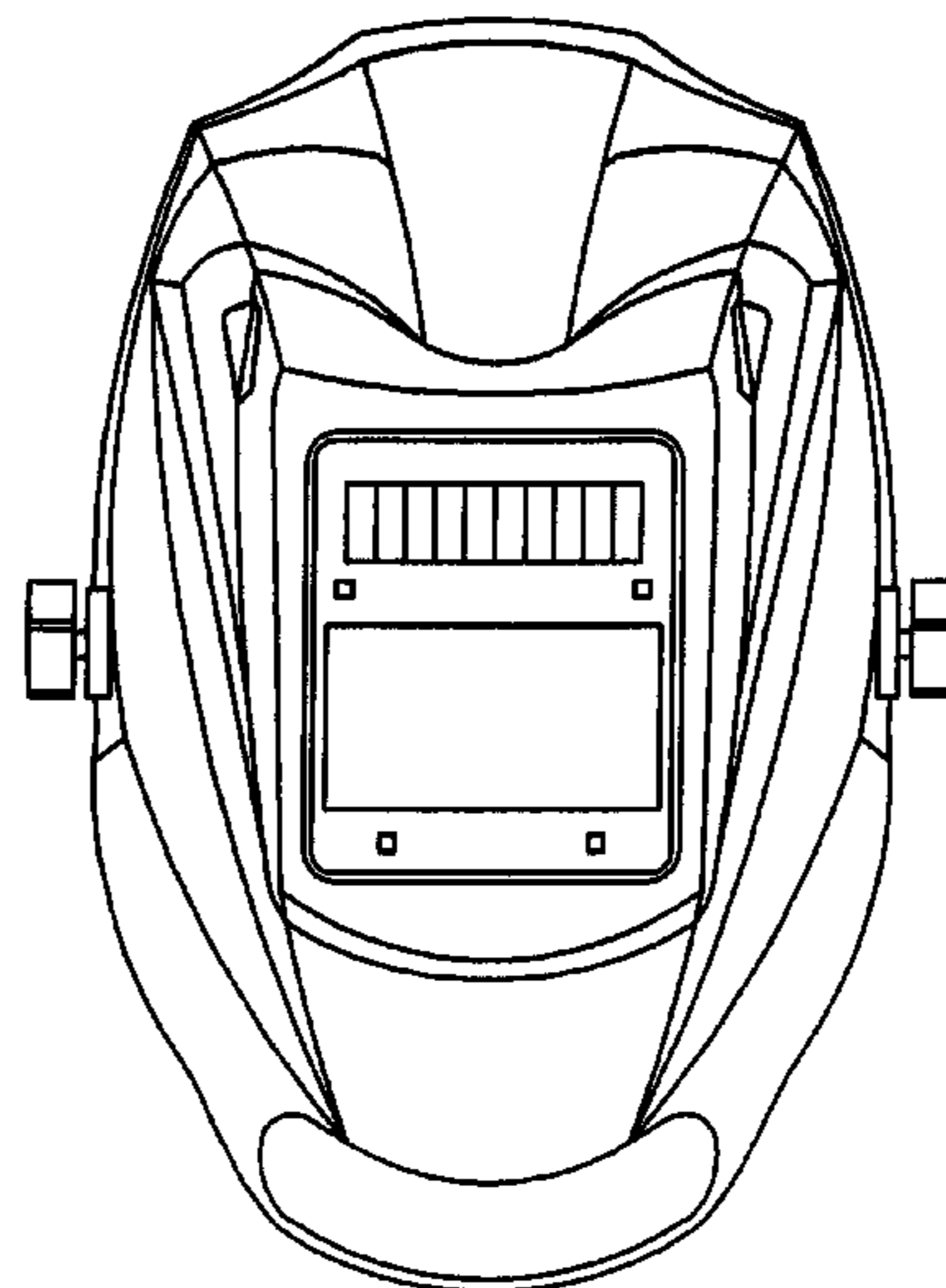
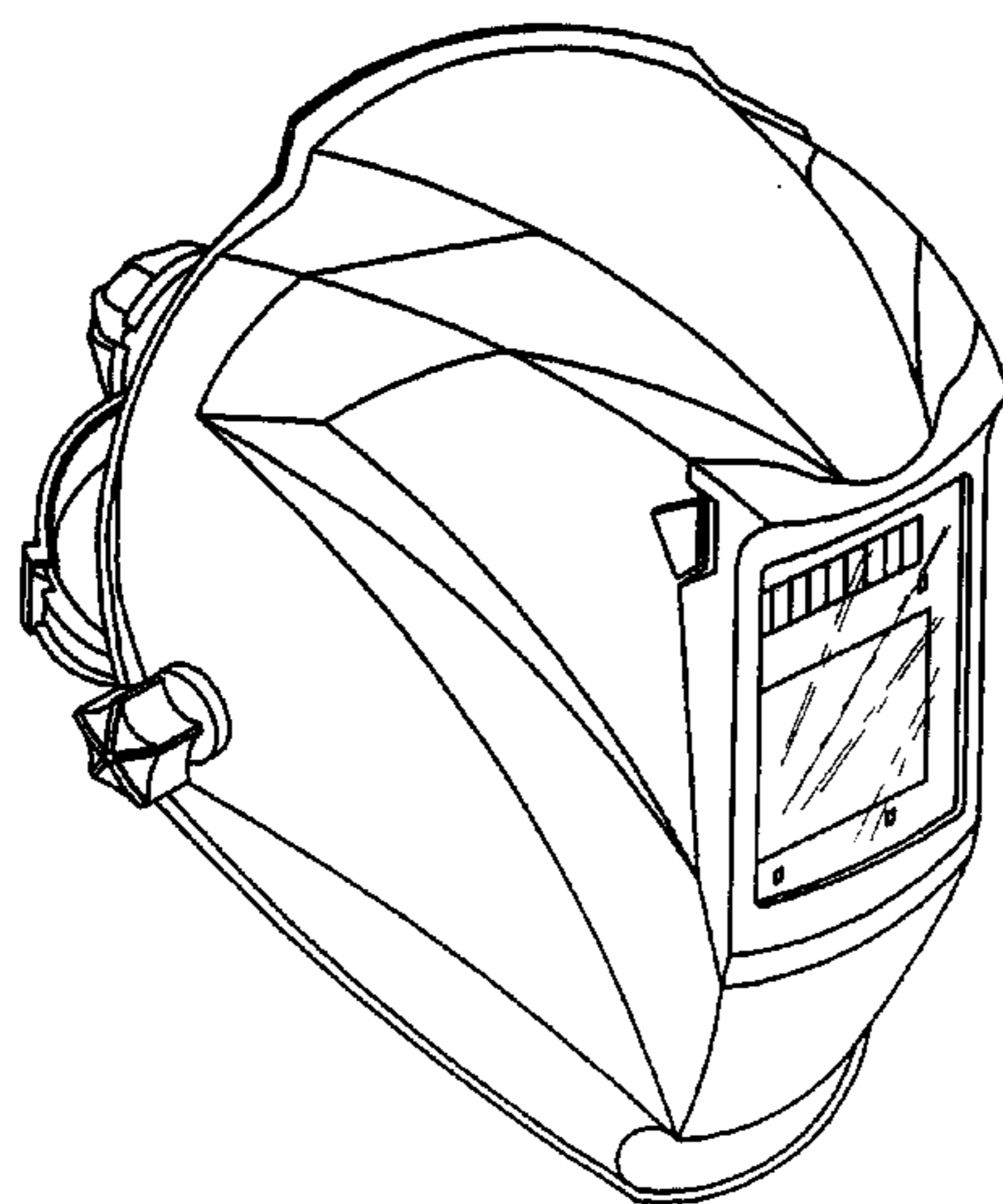


FIG. 1

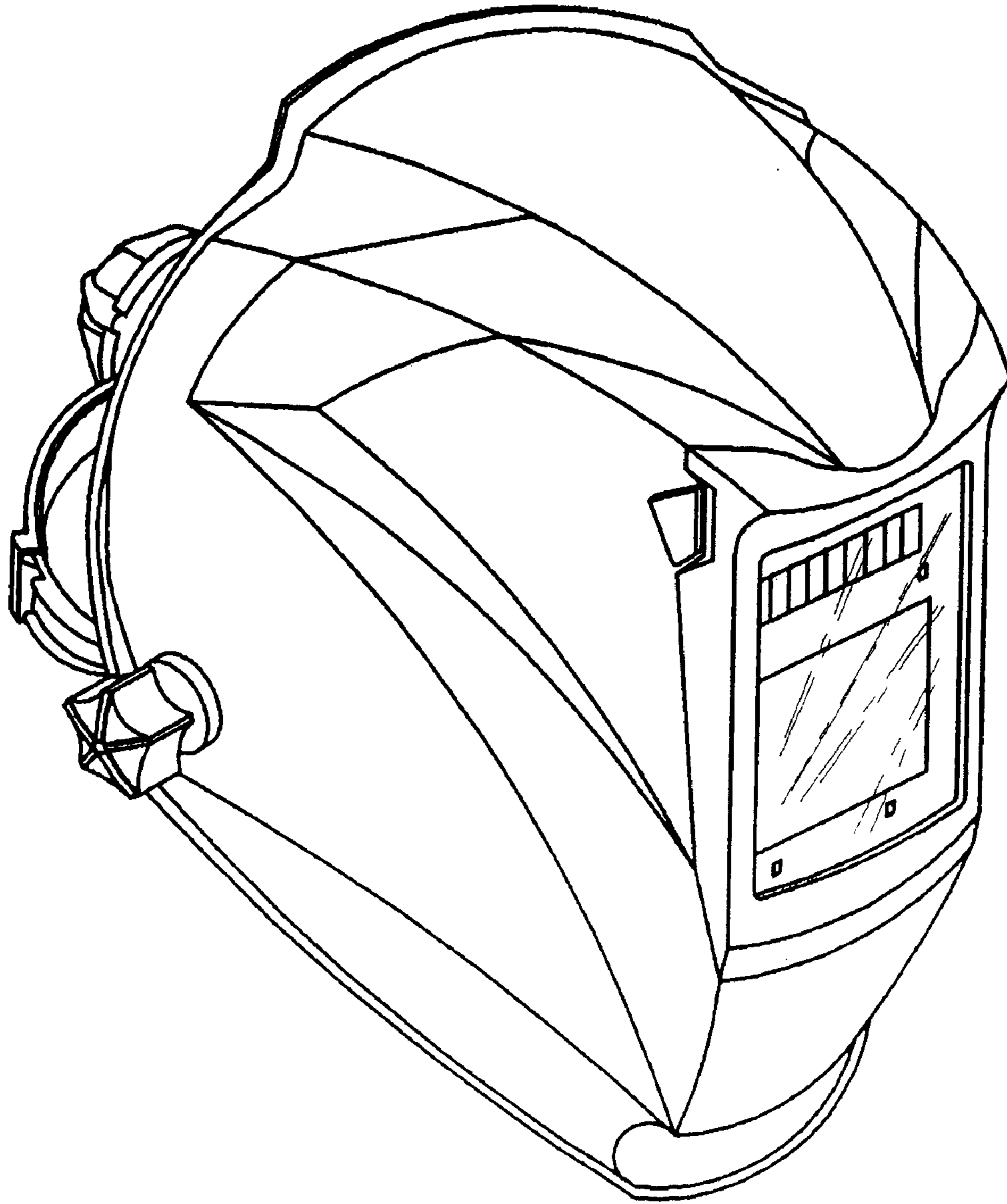


FIG. 2

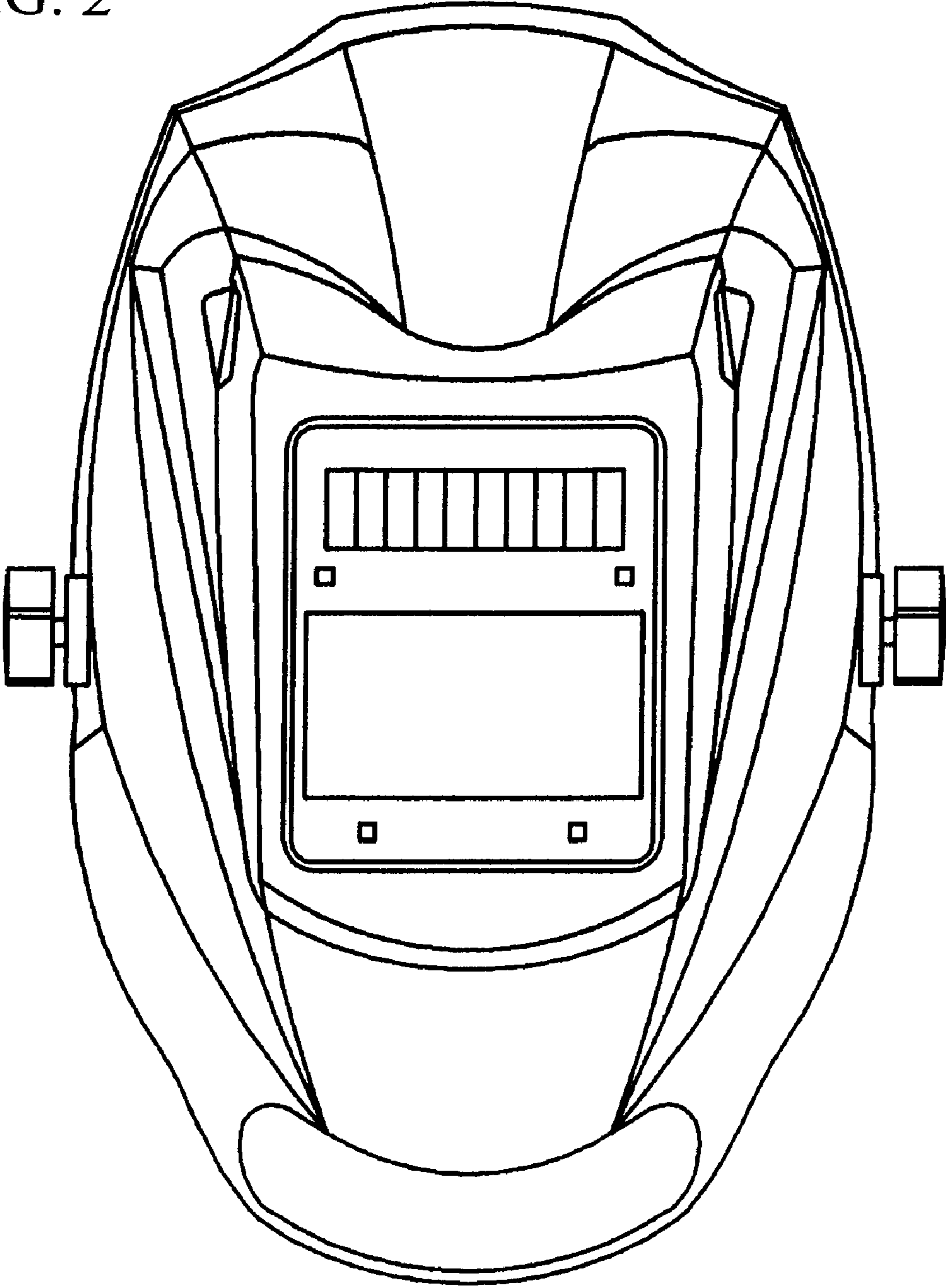


FIG. 3

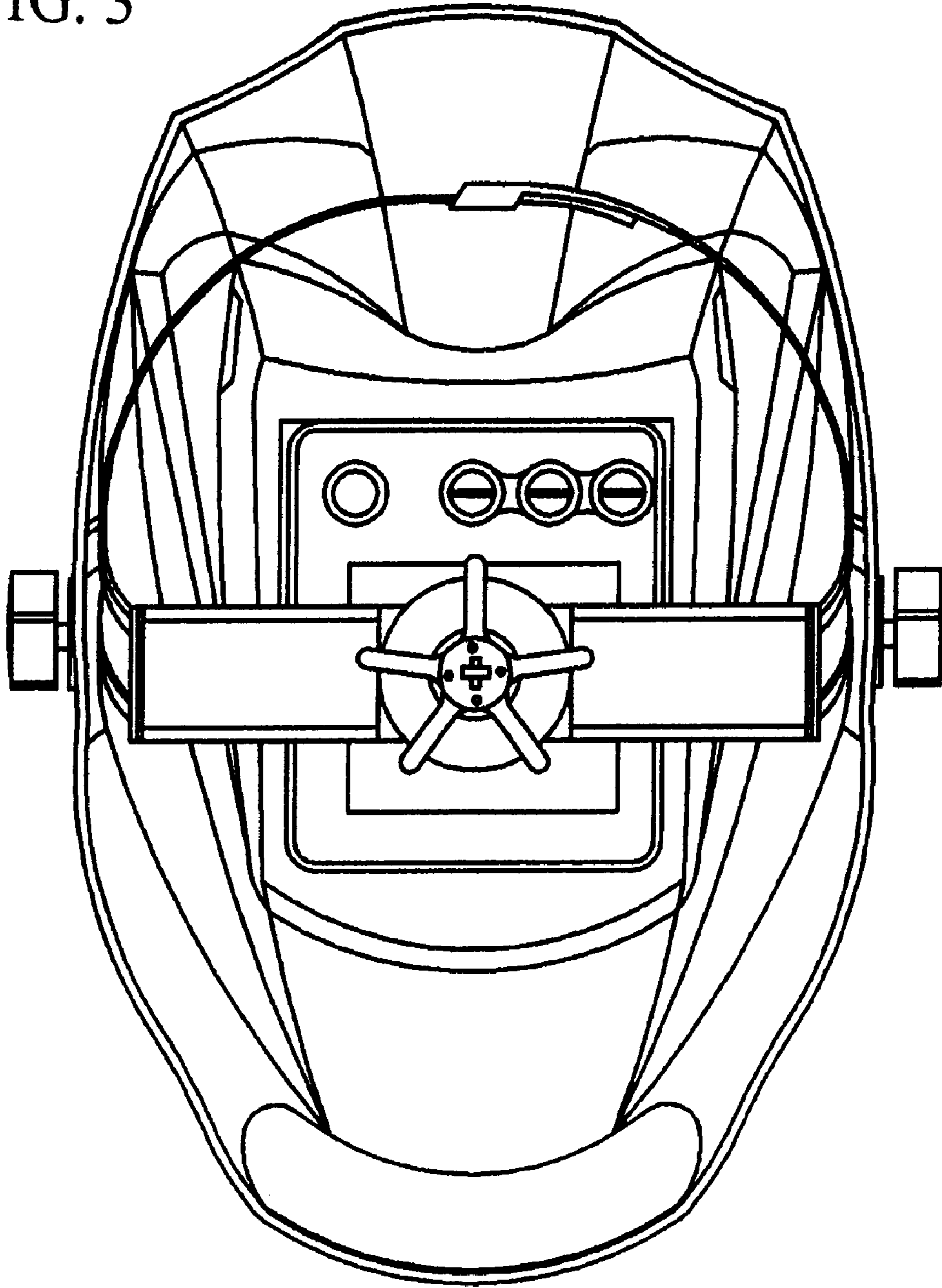


FIG. 4

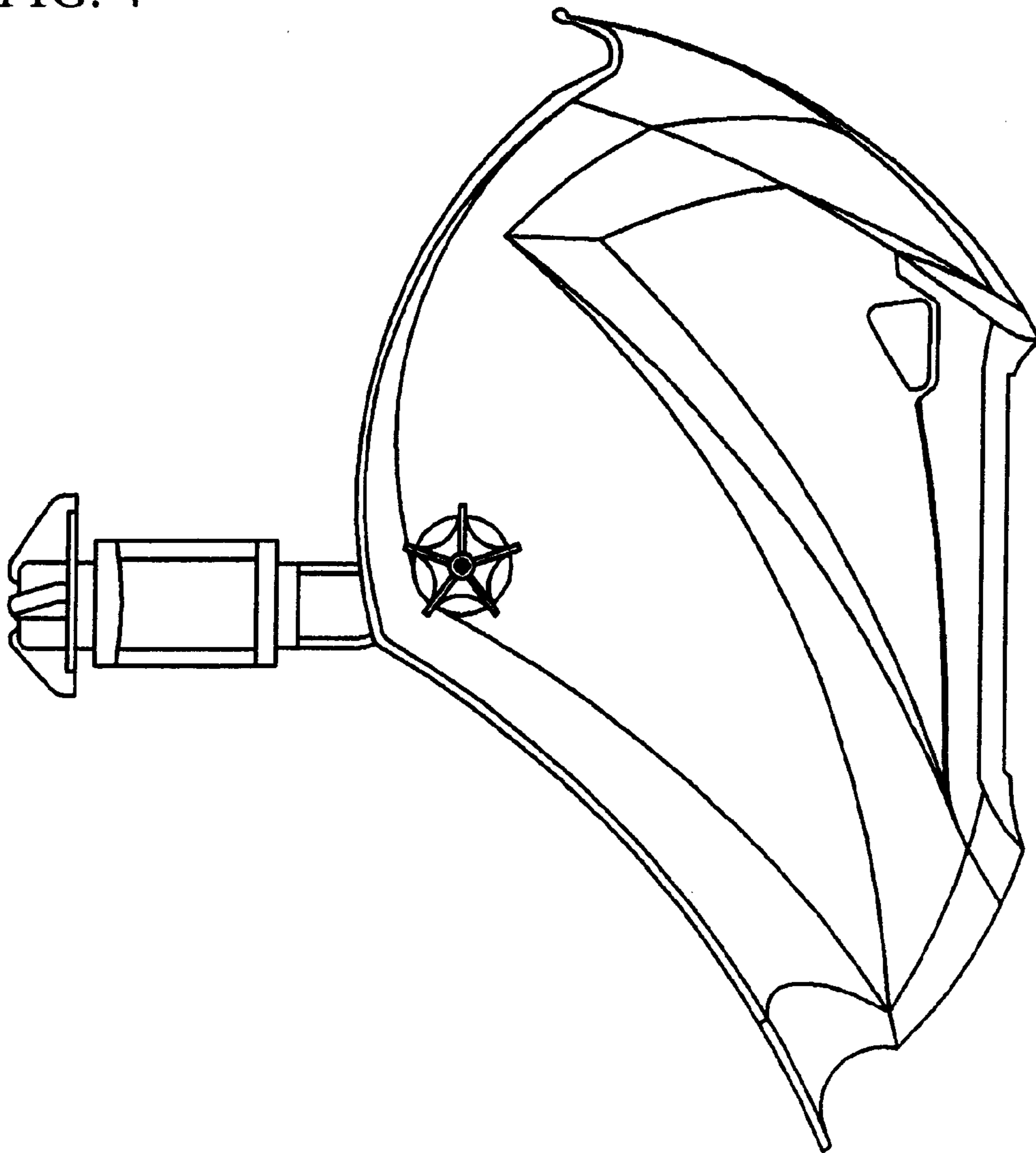


FIG. 5

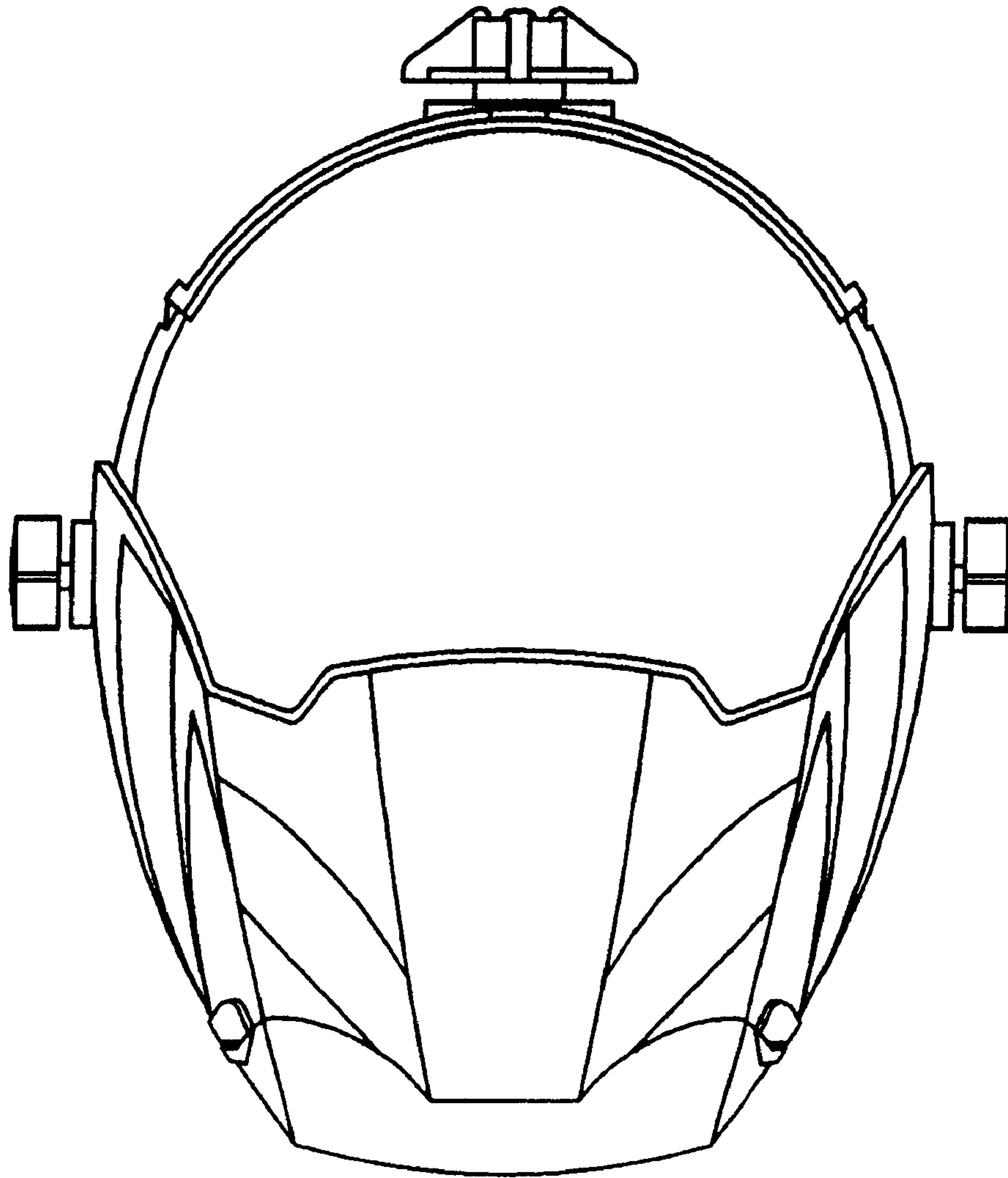


FIG. 6

