

US00D540988S

(12) **United States Design Patent**  
**Stephen et al.**

(10) **Patent No.: US D540,988 S**

(45) **Date of Patent: \*\* Apr. 17, 2007**

(54) **CHILD SAFETY WALKER**

(75) Inventors: **Elaine Stephen**, Aberdeenshire (GB);  
**Peter Ford**, Leicestershire (GB); **Mike Henville**, Leicestershire (GB)

(73) Assignee: **Red Island Limited, Inc.**,  
Aberdeenshire (GB)

(\*\*) Term: **14 Years**

(21) Appl. No.: **29/245,409**

(22) Filed: **Dec. 22, 2005**

(30) **Foreign Application Priority Data**

Jul. 1, 2005 (EM) ..... 000367420-0001

(51) **LOC (8) Cl.** ..... **29-99**

(52) **U.S. Cl.** ..... **D29/100**

(58) **Field of Classification Search** ..... D29/100,  
D29/101.1, 101.2, 101.3, 101.4, 101.5, 120.1,  
D29/120.2, 121.1, 121.2, 122; D12/130;  
119/712, 769, 770; 273/453; 54/52; 428/99;  
D30/152, 153

See application file for complete search history.

(56) **References Cited**

**U.S. PATENT DOCUMENTS**

3,563,208 A \* 2/1971 Nero ..... 119/770  
5,423,292 A \* 6/1995 Hall ..... 119/770  
5,447,121 A \* 9/1995 Spence ..... 119/770  
6,047,665 A \* 4/2000 Deveaux ..... 119/770

6,422,176 B1 \* 7/2002 Tonuzi ..... 119/770  
6,474,270 B1 \* 11/2002 Imes ..... 119/770  
D491,114 S \* 6/2004 Stephen et al. .... D12/130  
2004/0194733 A1 \* 10/2004 Bremm ..... 119/770  
2005/0255286 A1 \* 11/2005 Stephen ..... 428/99

\* cited by examiner

*Primary Examiner*—T. Chase Nelson

(74) *Attorney, Agent, or Firm*—Drinker Biddle & Reath  
LLP

(57) **CLAIM**

The ornamental design for a child safety walker, as shown  
and described.

**DESCRIPTION**

FIG. 1 is an isometric view of a child safety walker showing  
our new design.

FIG. 2 is a top view of the child safety walker shown in FIG.  
1.

FIG. 3 is a bottom view of the child safety walker shown in  
FIG. 1.

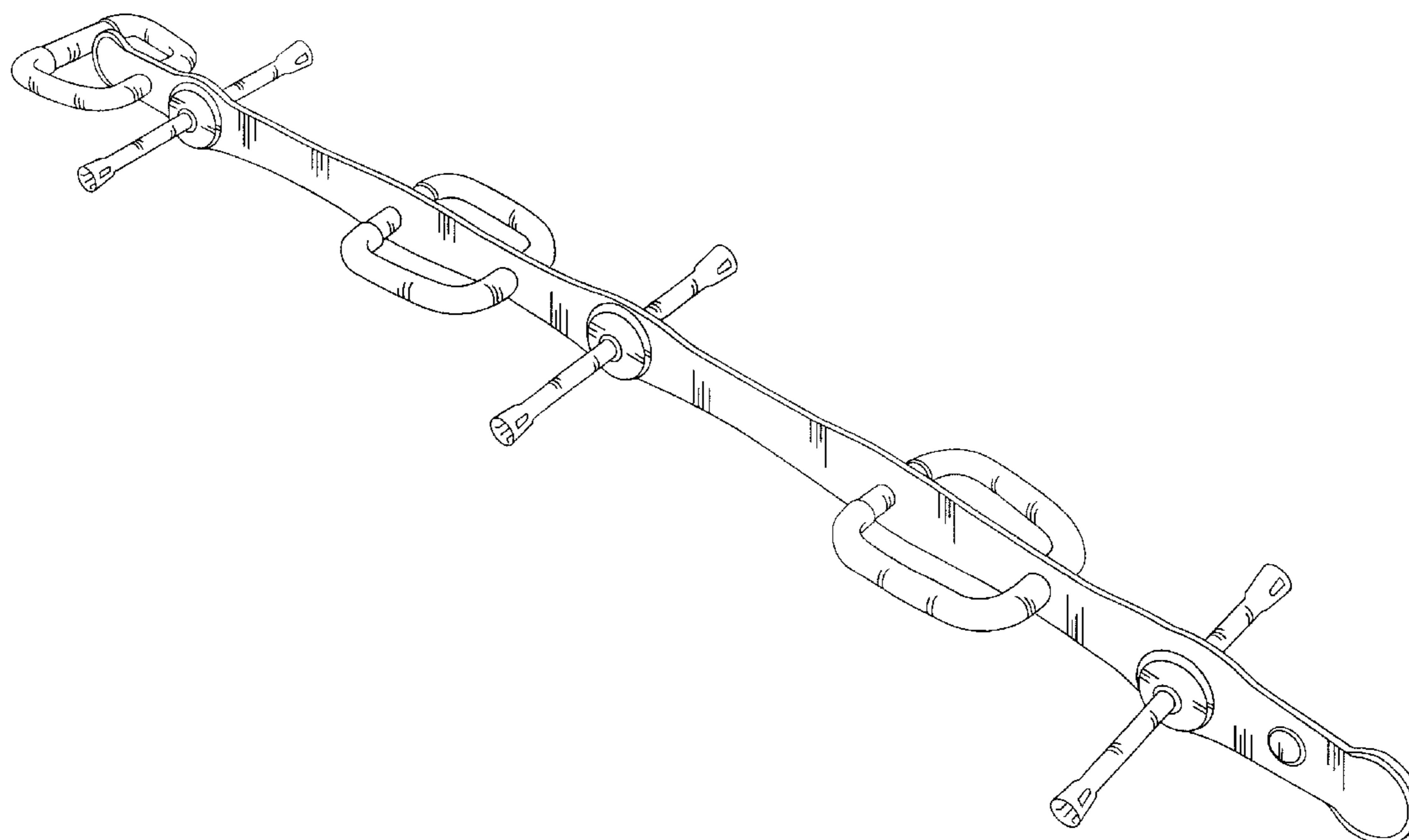
FIG. 4 is a left side view of the child safety walker shown  
in FIG. 1, the right side view is a mirror image.

FIG. 5 is a front view of the child safety walker shown in  
FIG. 1; and,

FIG. 6 is a rear view of the child safety walker shown in FIG.  
1.

The surface on which the child safety walker is shown  
resting forms no part of the claimed design.

**1 Claim, 6 Drawing Sheets**



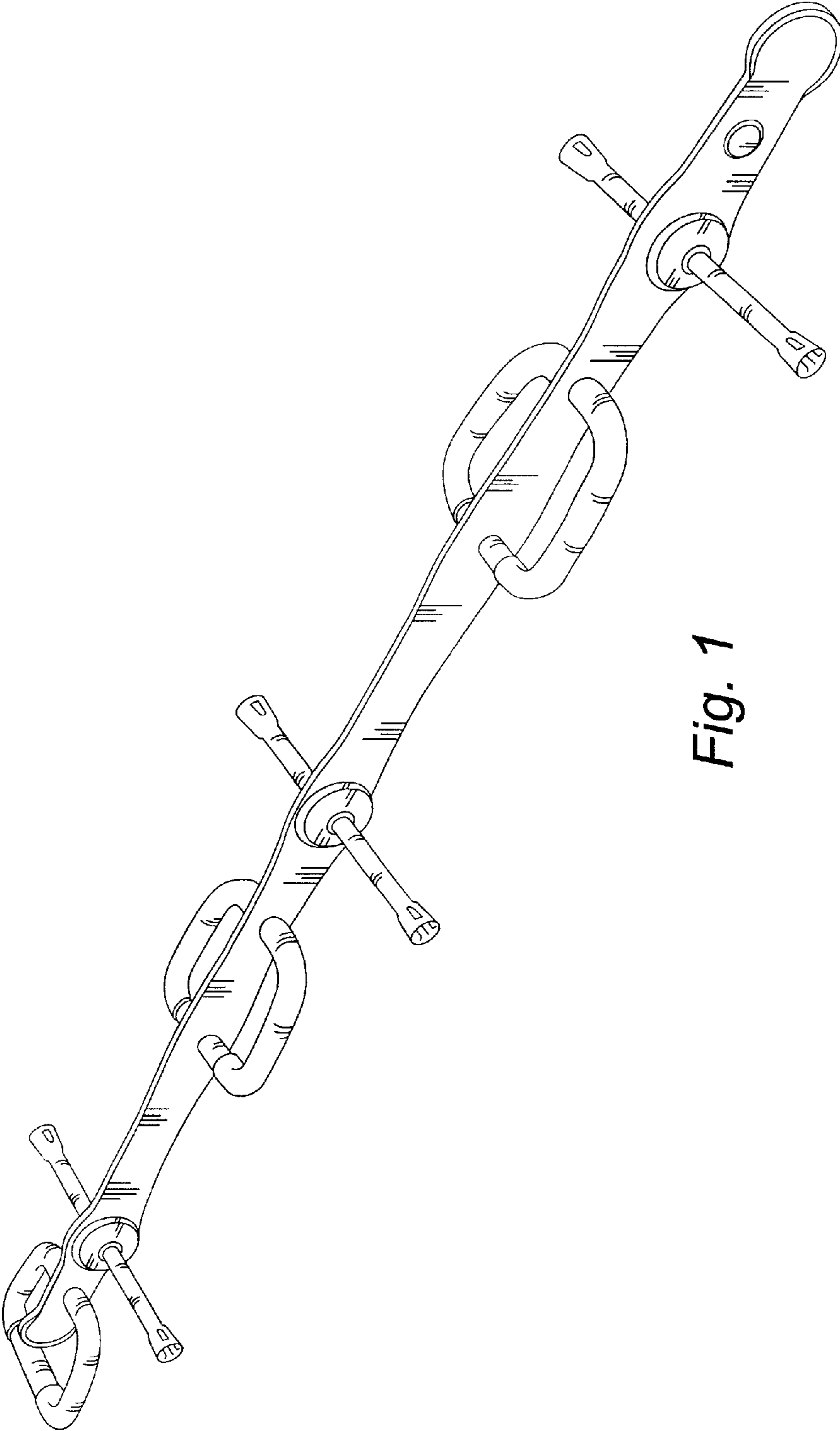


Fig. 1

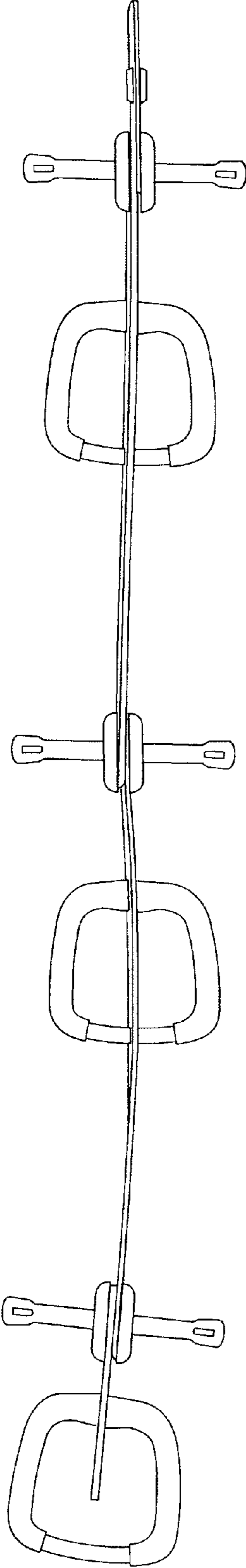


Fig. 2

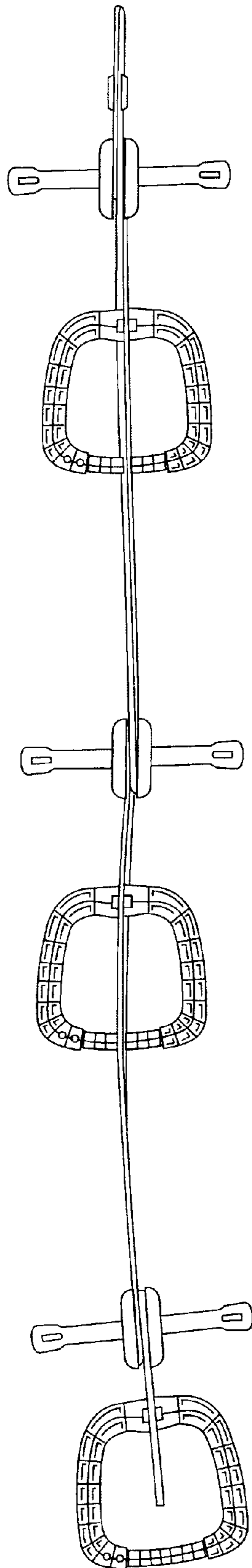


Fig. 3

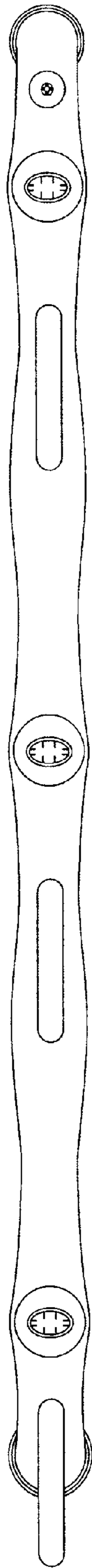
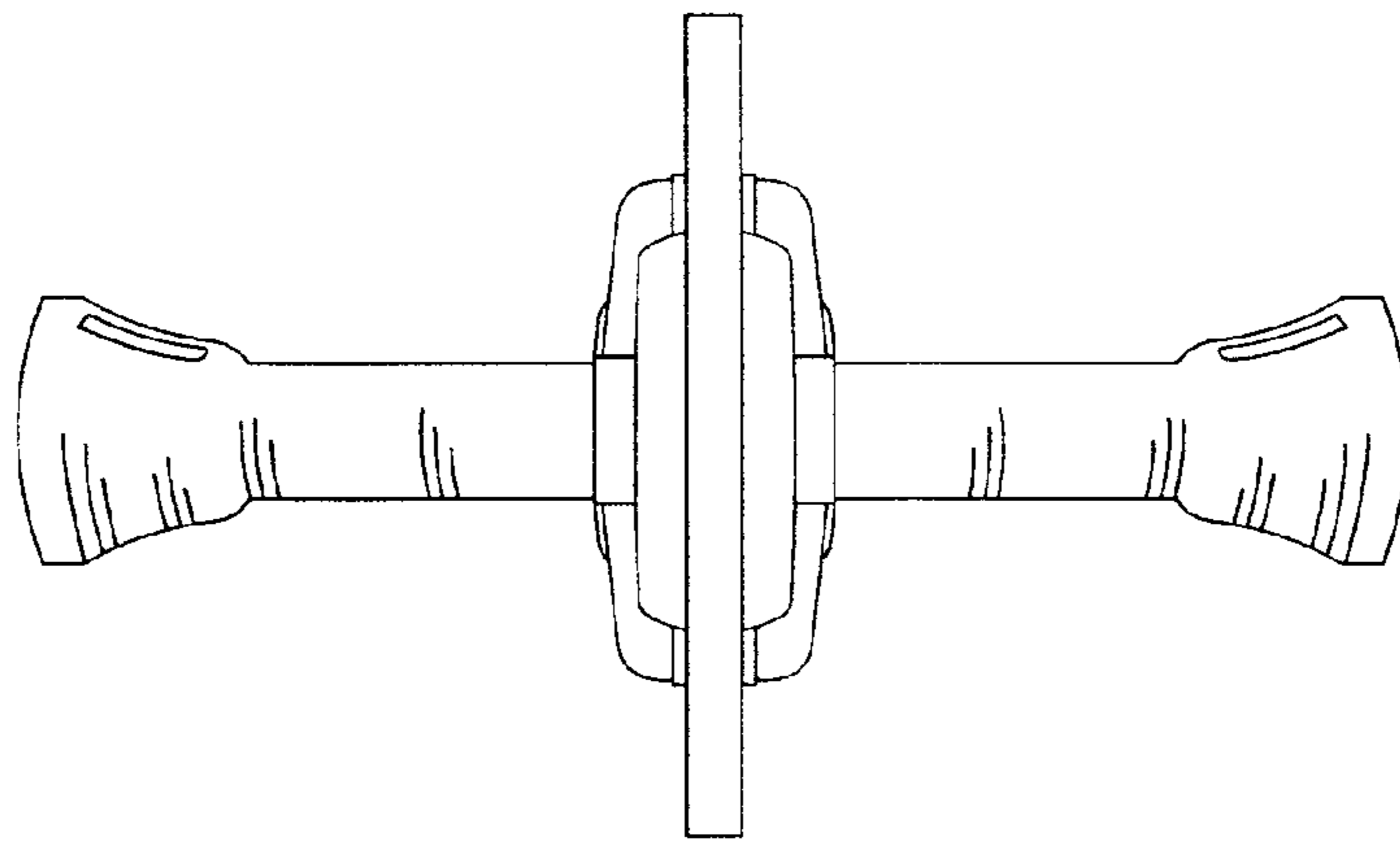
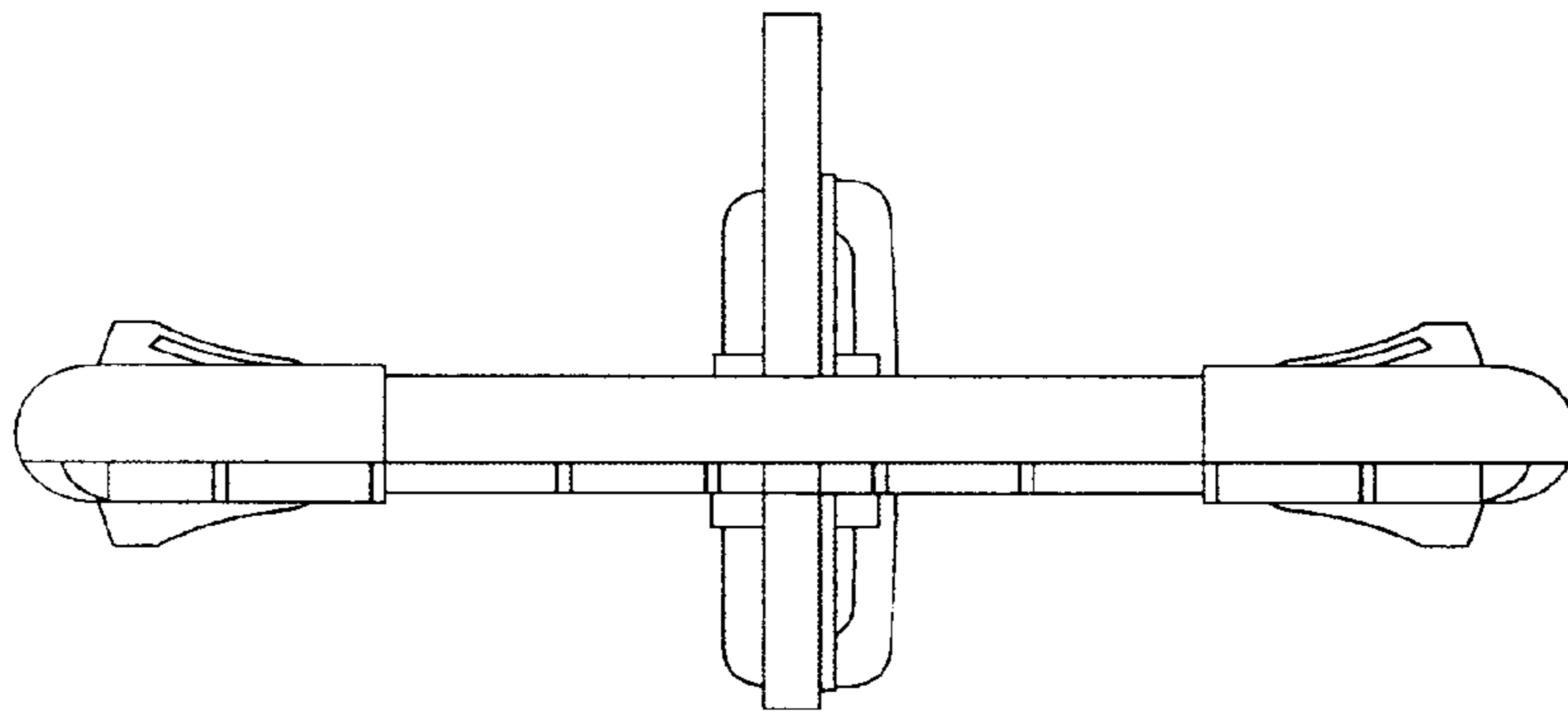


Fig. 4



*Fig. 5*



*Fig. 6*