

US00D540981S

(12) **United States Design Patent**
Rosdal

(10) **Patent No.:** **US D540,981 S**

(45) **Date of Patent:** **** Apr. 17, 2007**

(54) **CASE FOR HEATED APPLIANCES**

(76) Inventor: **Aundrea Rosdal**, 19475 E. Maplewood Pl., Aurora, CO (US) 80016

(**) Term: **14 Years**

(21) Appl. No.: **29/247,312**

(22) Filed: **Jun. 9, 2006**

(51) **LOC (8) Cl.** **28-03**

(52) **U.S. Cl.** **D28/38**

(58) **Field of Classification Search** D28/38,
D28/35, 73; D3/205; 206/349; 132/268; 219/242
See application file for complete search history.

D348,542 S	7/1994	Cannella	
D350,230 S	9/1994	O'Brien	
5,562,209 A	10/1996	Jackson et al.	
5,568,809 A	10/1996	Ben-haim	
5,577,607 A	11/1996	Drake et al.	
D378,016 S	* 2/1997	Armbruster et al. D3/205
5,638,955 A	6/1997	Calciano	
5,798,500 A	8/1998	Stillwagon, Jr. et al.	
5,950,826 A	9/1999	Lykowski	
6,068,122 A	5/2000	Burns et al.	
6,109,446 A	8/2000	Foote	
D451,640 S	* 12/2001	Adams D28/38
D454,683 S	3/2002	Brown	
6,808,066 B2	10/2004	Bean	
D508,146 S	8/2005	LeBlanc	
2005/0161353 A1	7/2005	Devine	

* cited by examiner

(56) **References Cited**

U.S. PATENT DOCUMENTS

D184,010 S	* 12/1958	Greenblatt D28/73
3,066,847 A	12/1962	Fortune	
3,946,196 A	3/1976	Waters et al.	
4,159,773 A	7/1979	Losenzo	
D261,317 S	10/1981	Oberheim et al.	
D261,319 S	* 10/1981	Oberheim et al. D28/35
4,308,878 A	1/1982	Silva	
D269,299 S	6/1983	Oberheim	
4,570,792 A	2/1986	Conway	
D300,065 S	2/1989	Zaborowski et al.	
4,877,942 A	10/1989	Raab	
4,973,019 A	* 11/1990	Baird et al. D28/38
D313,089 S	12/1990	Schuler	
5,054,615 A	10/1991	Stillwagon et al.	
5,062,529 A	11/1991	Blair	
5,090,649 A	* 2/1992	Tipp 219/242
5,141,189 A	8/1992	Andrew	
5,169,102 A	12/1992	Bracken	
5,203,456 A	4/1993	Boswell	

Primary Examiner—Jennifer Rivard

(74) *Attorney, Agent, or Firm*—Starkweather & Associates; Michael W. Starkweather; Jason P. Webb

(57) **CLAIM**

I claim the ornamental design for a case for heated appliances, as shown and described.

DESCRIPTION

FIG. 1 is a left side plan view of a case showing my new design as used;

FIG. 2 is a front side plan view, thereof as used;

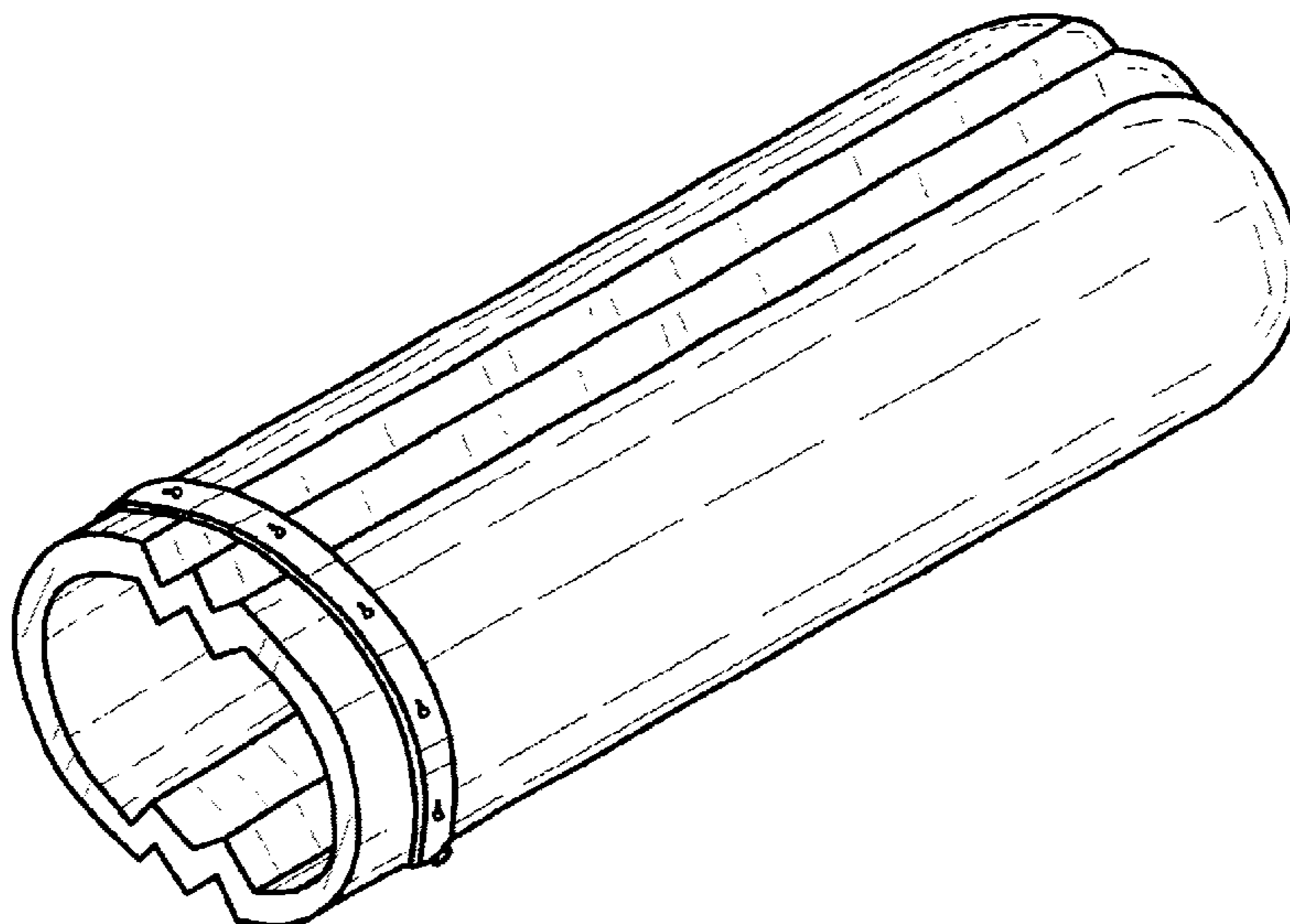
FIG. 3 is a bottom plan view thereof;

FIG. 4 is a top plan view thereof; and,

FIG. 5 is a perspective view thereof.

The curling iron is shown in broken lines for illustrative purposes only and forms no part of the claimed design.

1 Claim, 4 Drawing Sheets



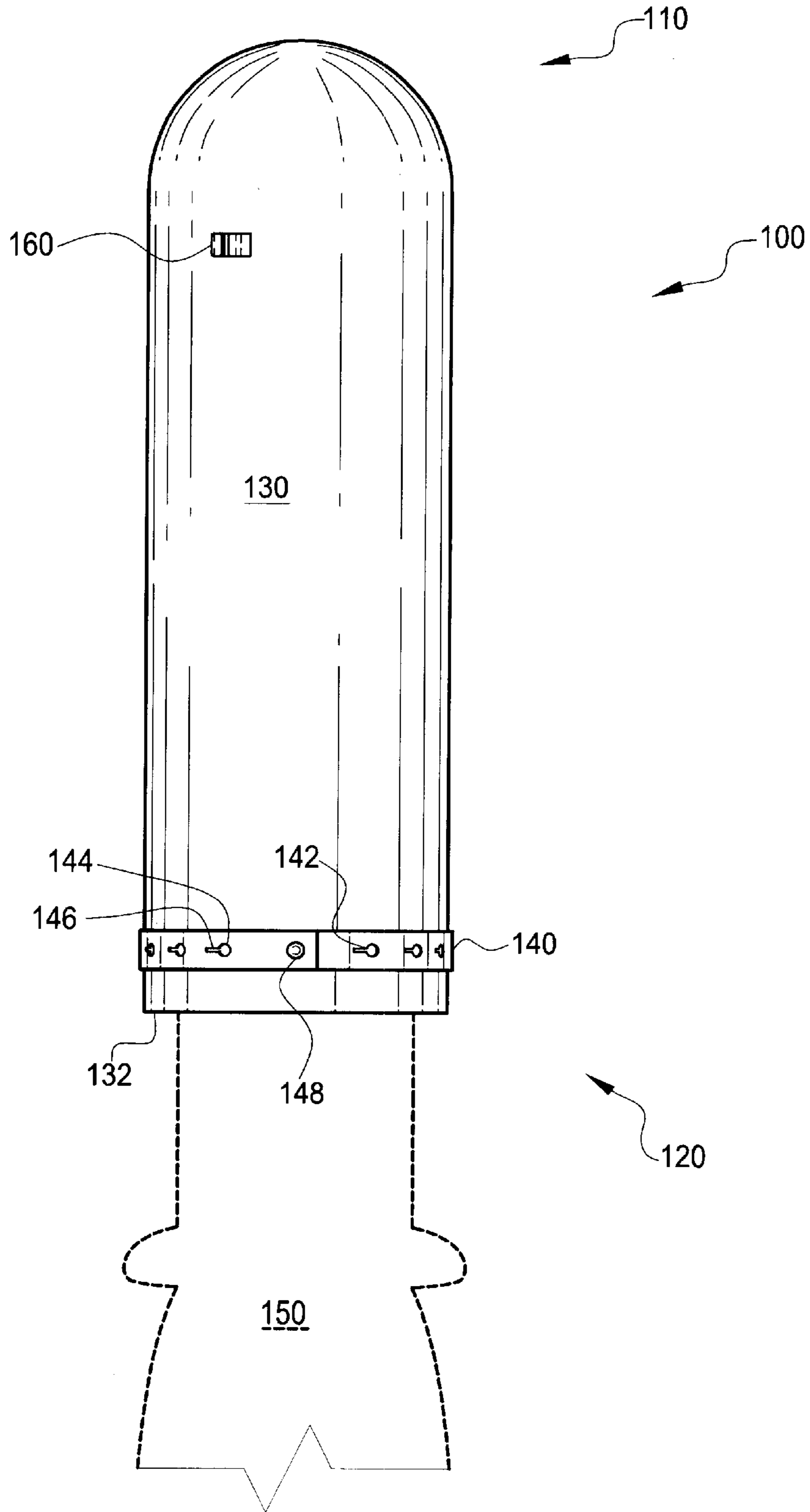


Fig. 1

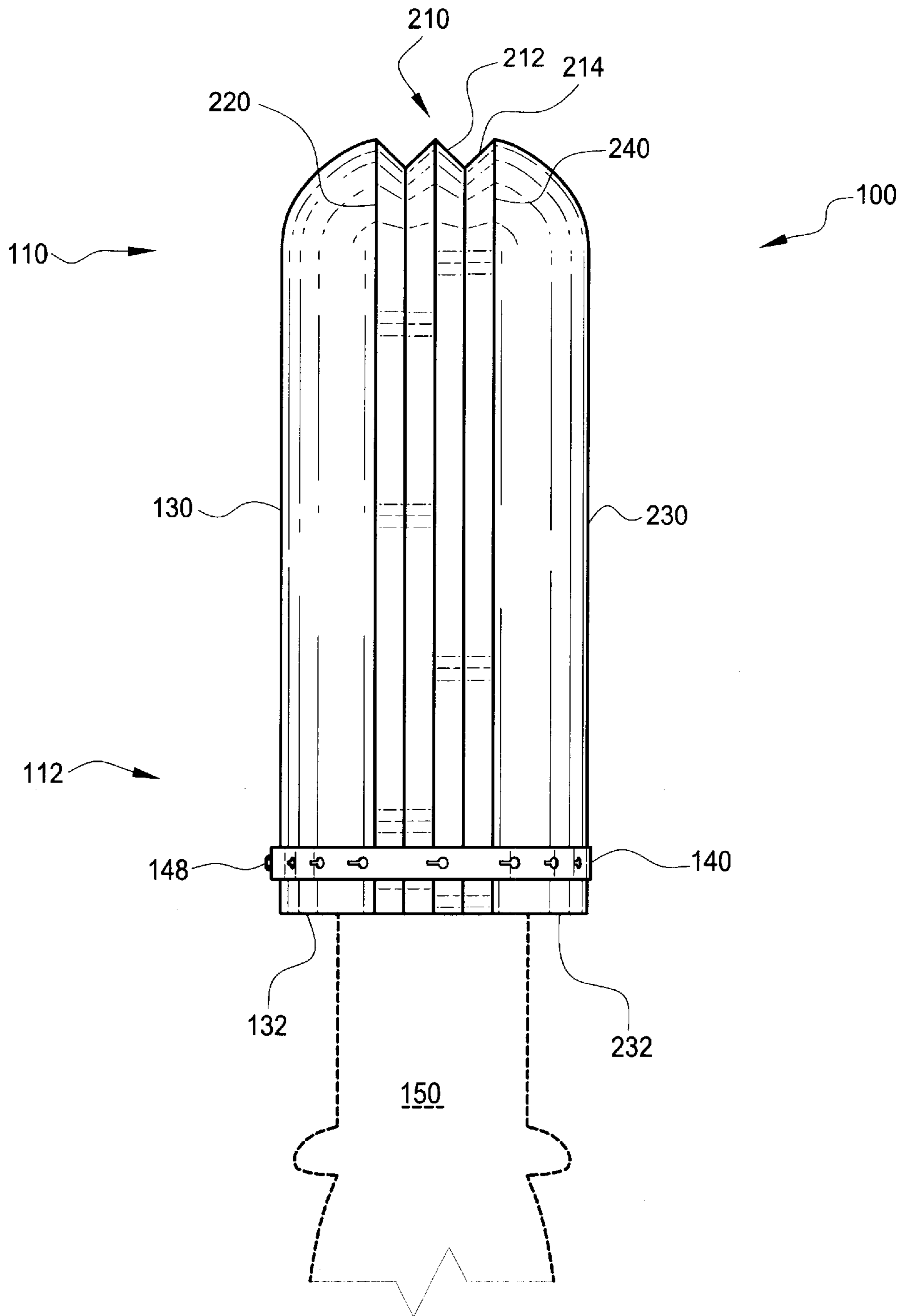


Fig. 2

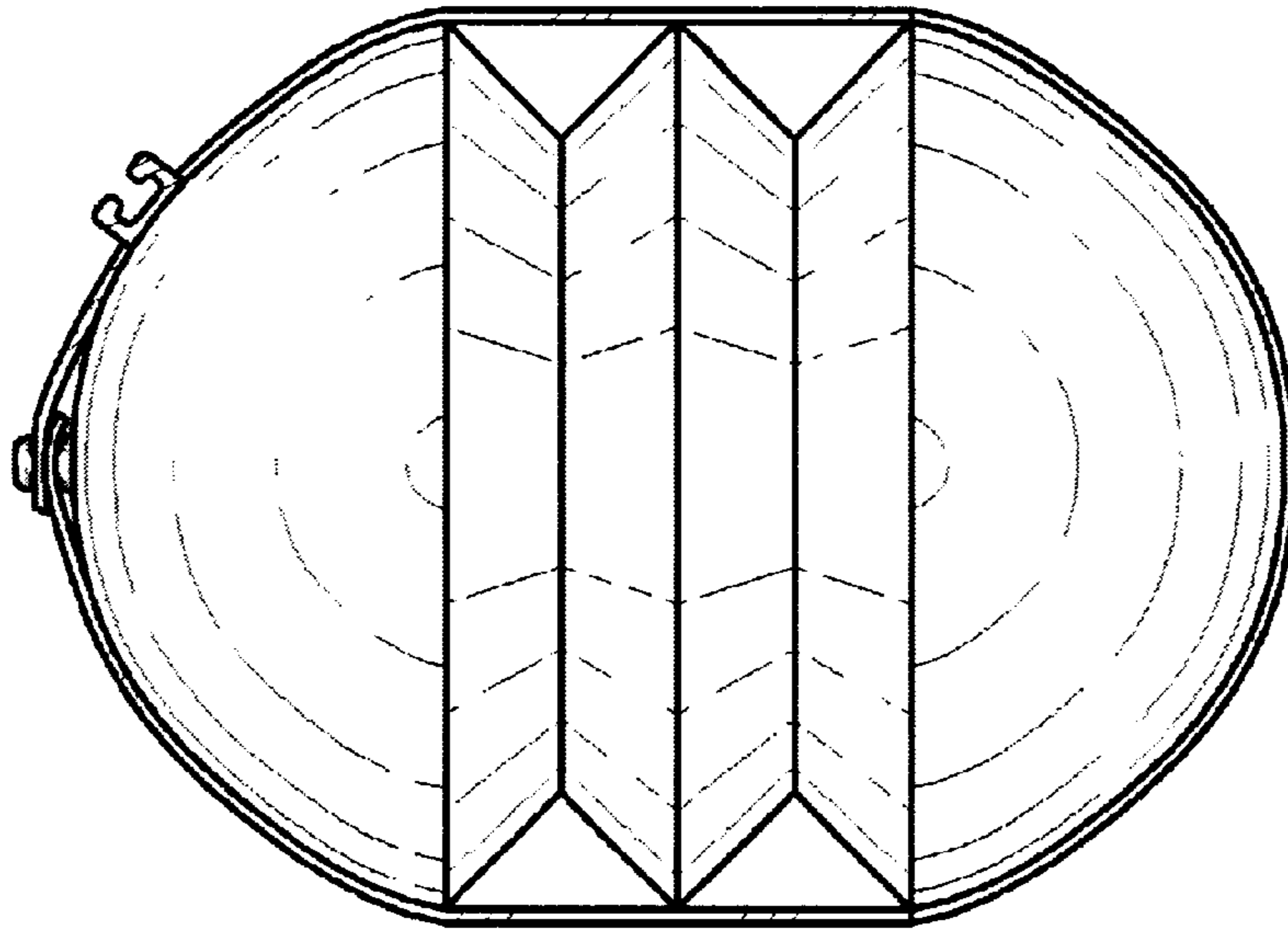


Fig. 3

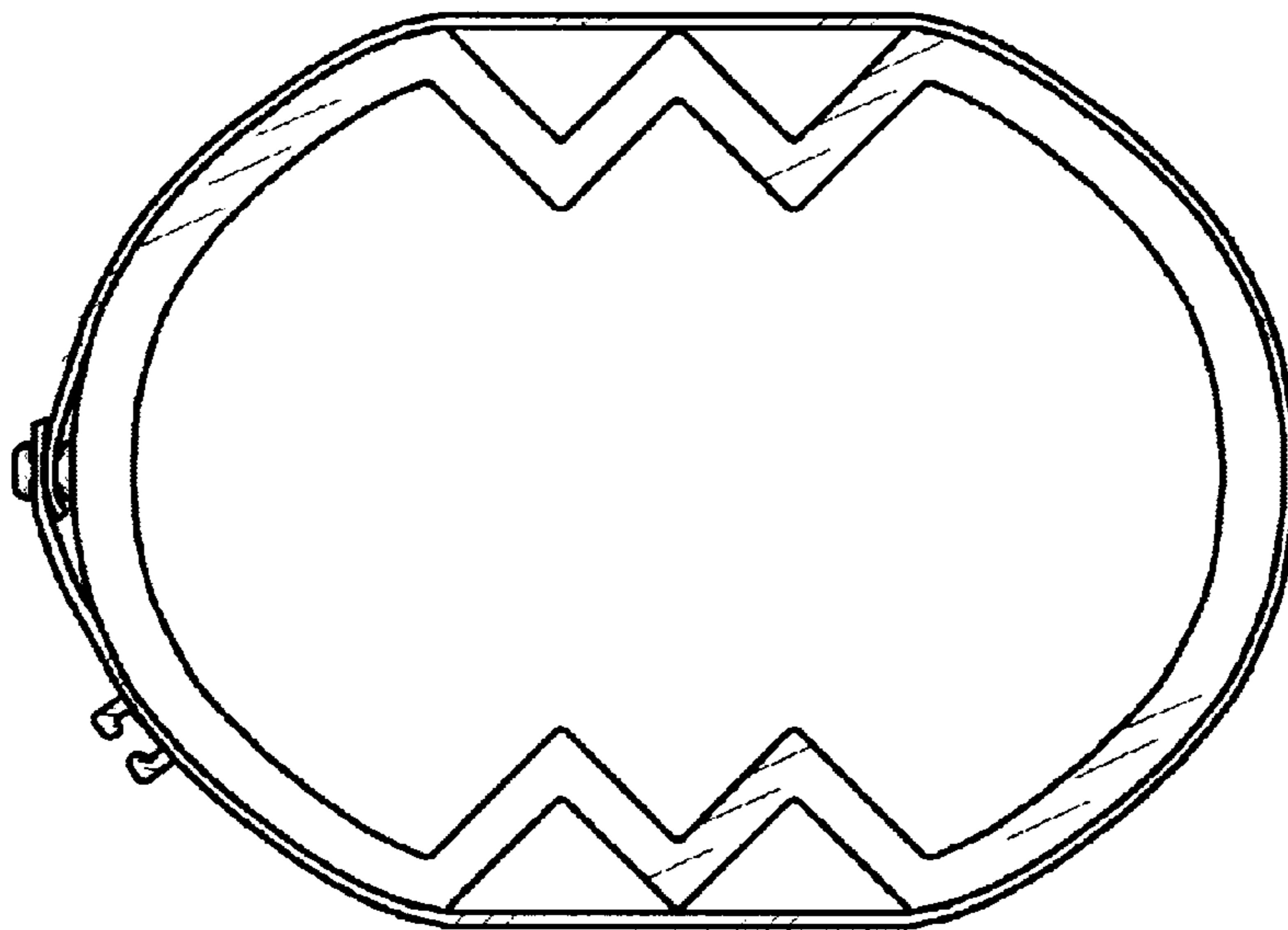


Fig. 4

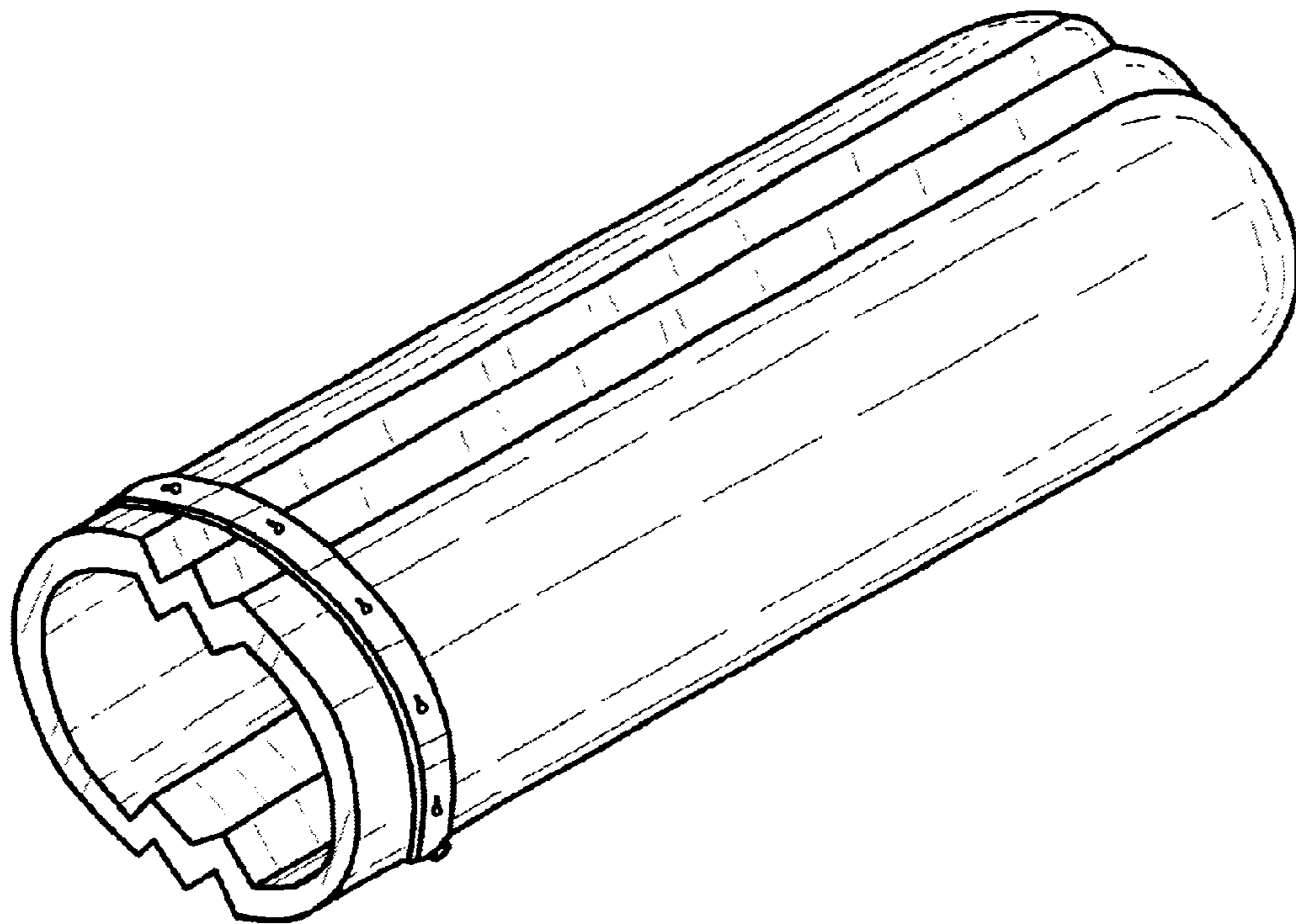


Fig. 5

UNITED STATES PATENT AND TRADEMARK OFFICE
CERTIFICATE OF CORRECTION

PATENT NO. : Des. 540,981 S
APPLICATION NO. : 29/247312
DATED : April 17, 2007
INVENTOR(S) : Aundrea Rosedal

Page 1 of 1

It is certified that error appears in the above-identified patent and that said Letters Patent is hereby corrected as shown below:

Title page, item [73] Assignee: should read

-- Hood, Inc.
19475 East Maplewood Place
Aurora, Colorado 80016 --

Signed and Sealed this

Thirty-first Day of July, 2007

A handwritten signature in black ink on a dotted background. The signature reads "Jon W. Dudas" in a cursive style.

JON W. DUDAS

Director of the United States Patent and Trademark Office

UNITED STATES PATENT AND TRADEMARK OFFICE
CERTIFICATE OF CORRECTION

PATENT NO. : Des. 540,981 S
APPLICATION NO. : 29/247312
DATED : April 17, 2007
INVENTOR(S) : Aundrea Rosedal

Page 1 of 1

It is certified that error appears in the above-identified patent and that said Letters Patent is hereby corrected as shown below:

Title Page, item [73] insert

-- Assignee:

Hood, Inc.
19475 East Maplewood Place
Aurora, Colorado 80016 --

Signed and Sealed this

Twenty-first Day of August, 2007

A handwritten signature in black ink on a dotted background. The signature reads "Jon W. Dudas" in a cursive style.

JON W. DUDAS

Director of the United States Patent and Trademark Office