



US00D540979S

(12) **United States Design Patent**  
**Chen**

(10) **Patent No.:** **US D540,979 S**

(45) **Date of Patent:** **\*\* Apr. 17, 2007**

(54) **COFFEE CUP LIGHTER**

(76) Inventor: **Peter Chen**, 148 S. 8<sup>th</sup> Ave., Unit B & C, La Puente, CA (US) 91746

(\*\*) Term: **14 Years**

(21) Appl. No.: **29/239,136**

(22) Filed: **Sep. 27, 2005**

(51) **LOC (8) Cl.** ..... **27-05**

(52) **U.S. Cl.** ..... **D27/148; D7/510**

(58) **Field of Classification Search** ..... D27/139,  
D27/141-161; D7/509, 510, 511, 523, 533,  
D7/535; 431/129, 143, 153, 253-256, 273-277  
See application file for complete search history.

(56) **References Cited**

**U.S. PATENT DOCUMENTS**

5,588,561 A	*	12/1996	Ness	.....	222/129
D438,298 S	*	2/2001	McNutt	.....	D7/511
D471,064 S	*	3/2003	Renz	.....	D7/523
D477,185 S	*	7/2003	Janky	.....	D7/511
D490,272 S	*	5/2004	Rohe	.....	D7/510
D502,844 S	*	3/2005	Rohe	.....	D7/510

**OTHER PUBLICATIONS**

Bottle lighter, The Legend of the lighter.\*

\* cited by examiner

*Primary Examiner*—Jennifer Rivard

(74) *Attorney, Agent, or Firm*—Raymond Y. Chan; David and Raymond Patent Group

(57) **CLAIM**

The ornamental design for a coffee cup lighter, as shown.

**DESCRIPTION**

FIG. 1 is a perspective view showing my new design.

FIG. 2 is a right view thereof.

FIG. 3 is a left view thereof.

FIG. 4 is a front view thereof.

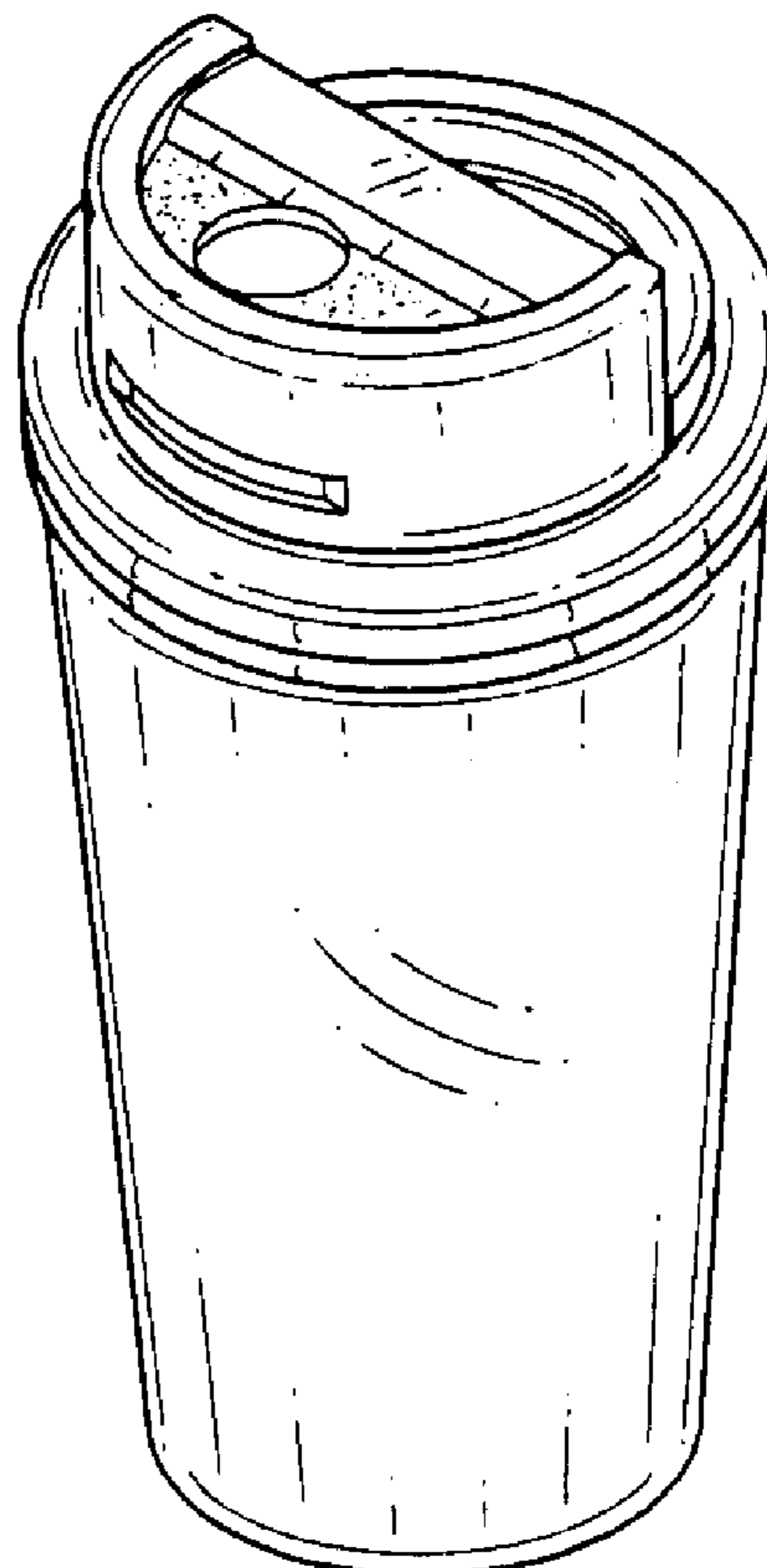
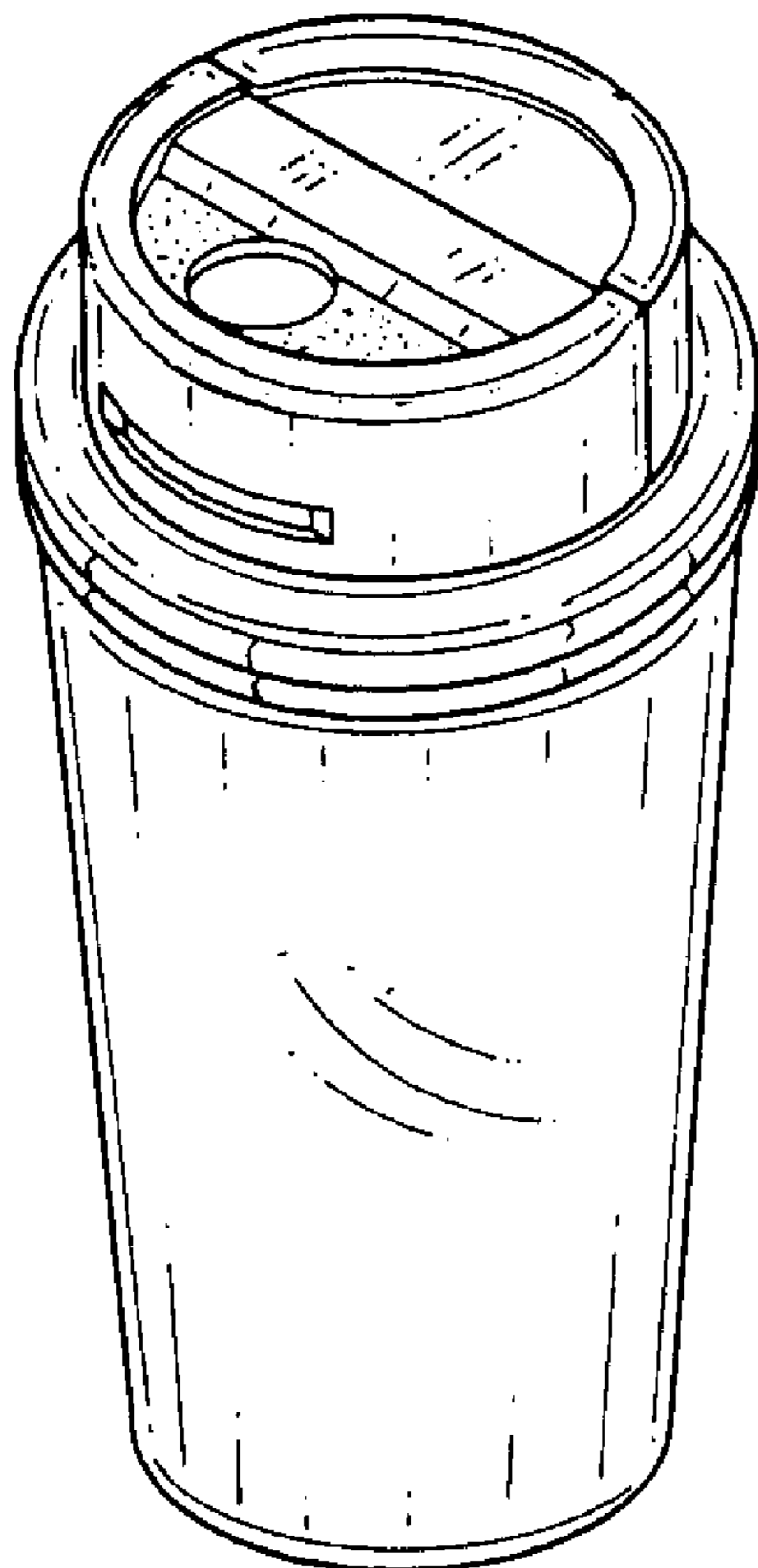
FIG. 5 is a rear view thereof.

FIG. 6 is a top view thereof.

FIG. 7 is a bottom view thereof; and,

FIG. 8 is a perspective view showing an open position thereof.

**1 Claim, 8 Drawing Sheets**



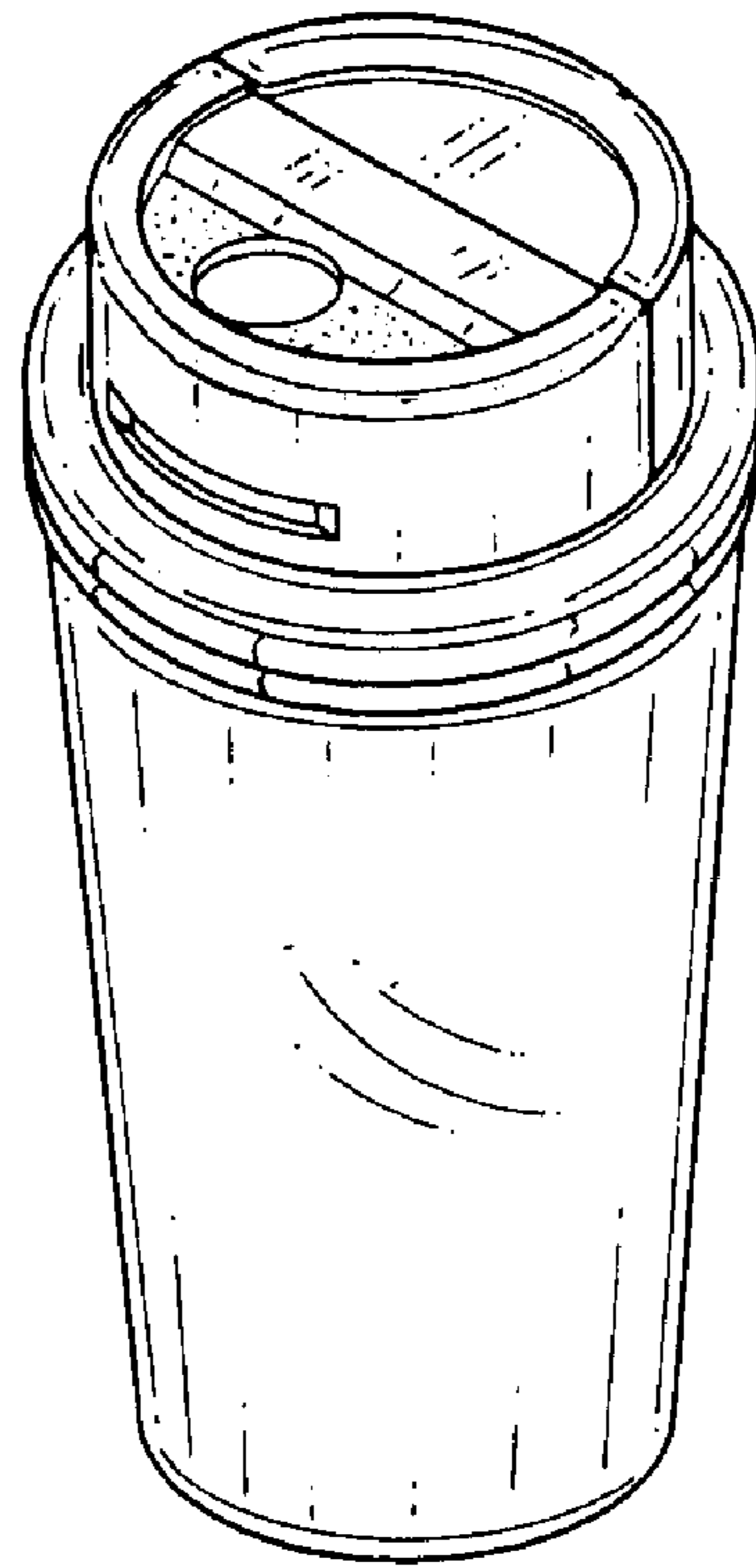


FIG. 1

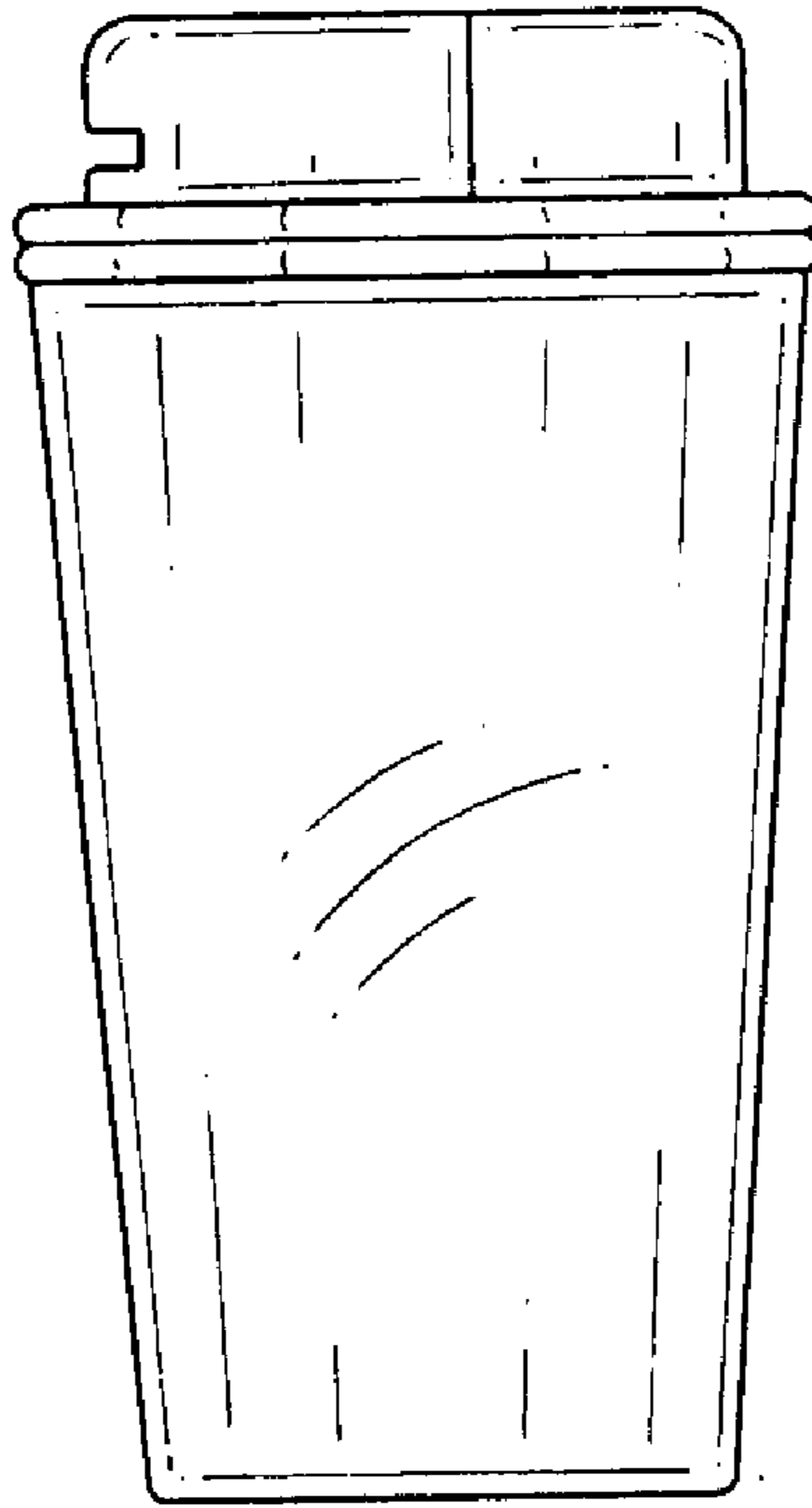


FIG. 2

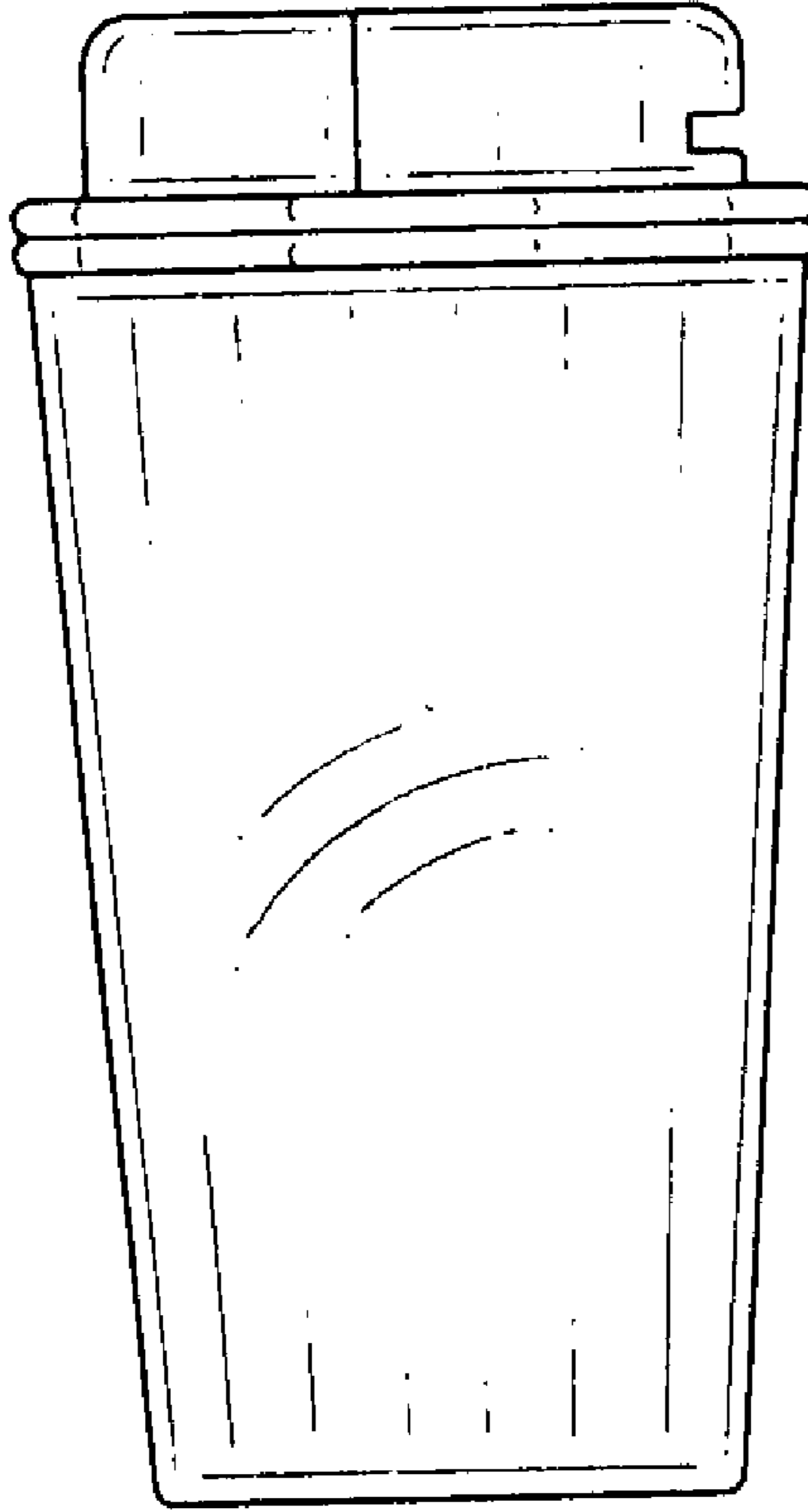


FIG. 3

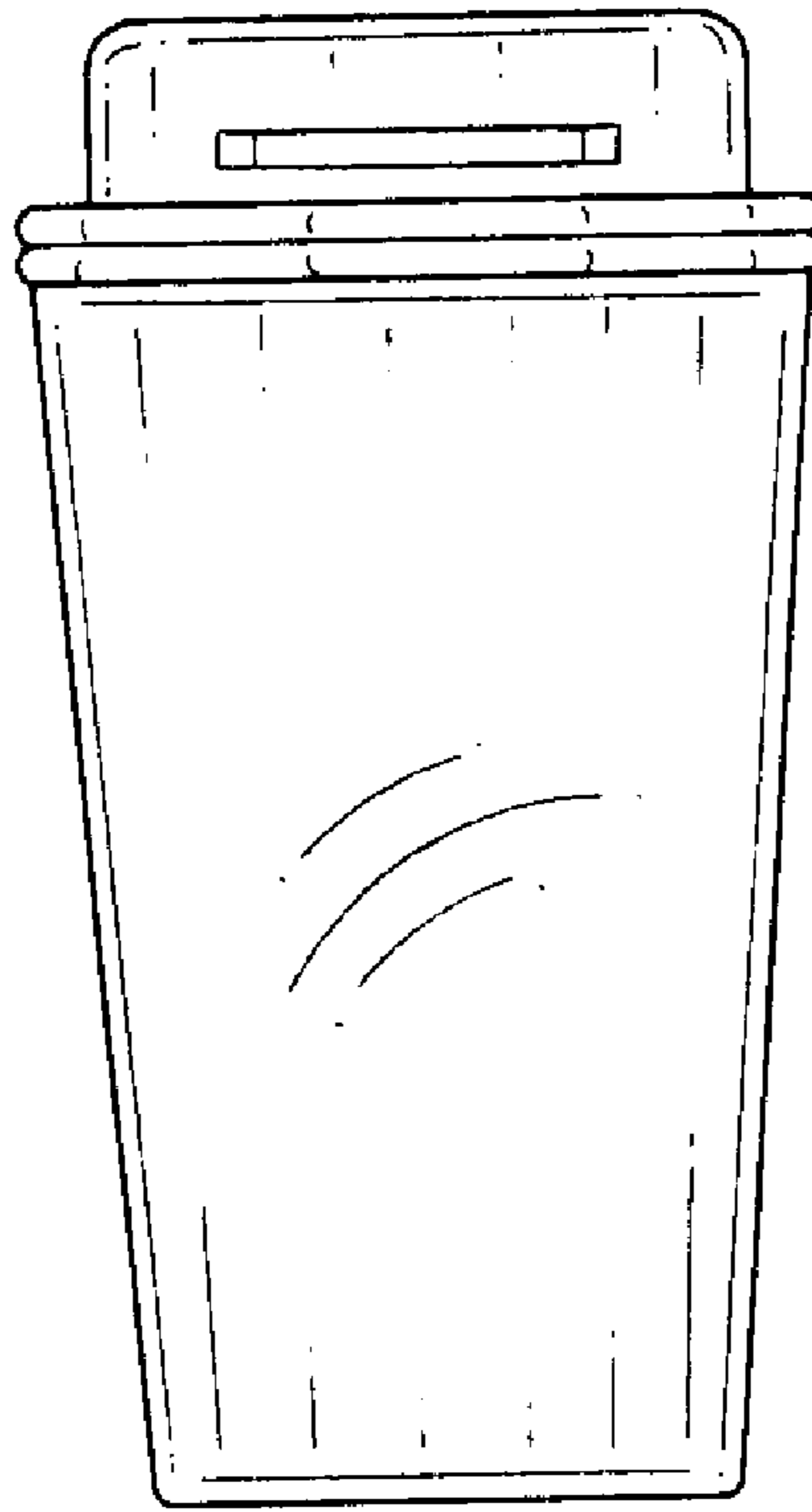


FIG. 4

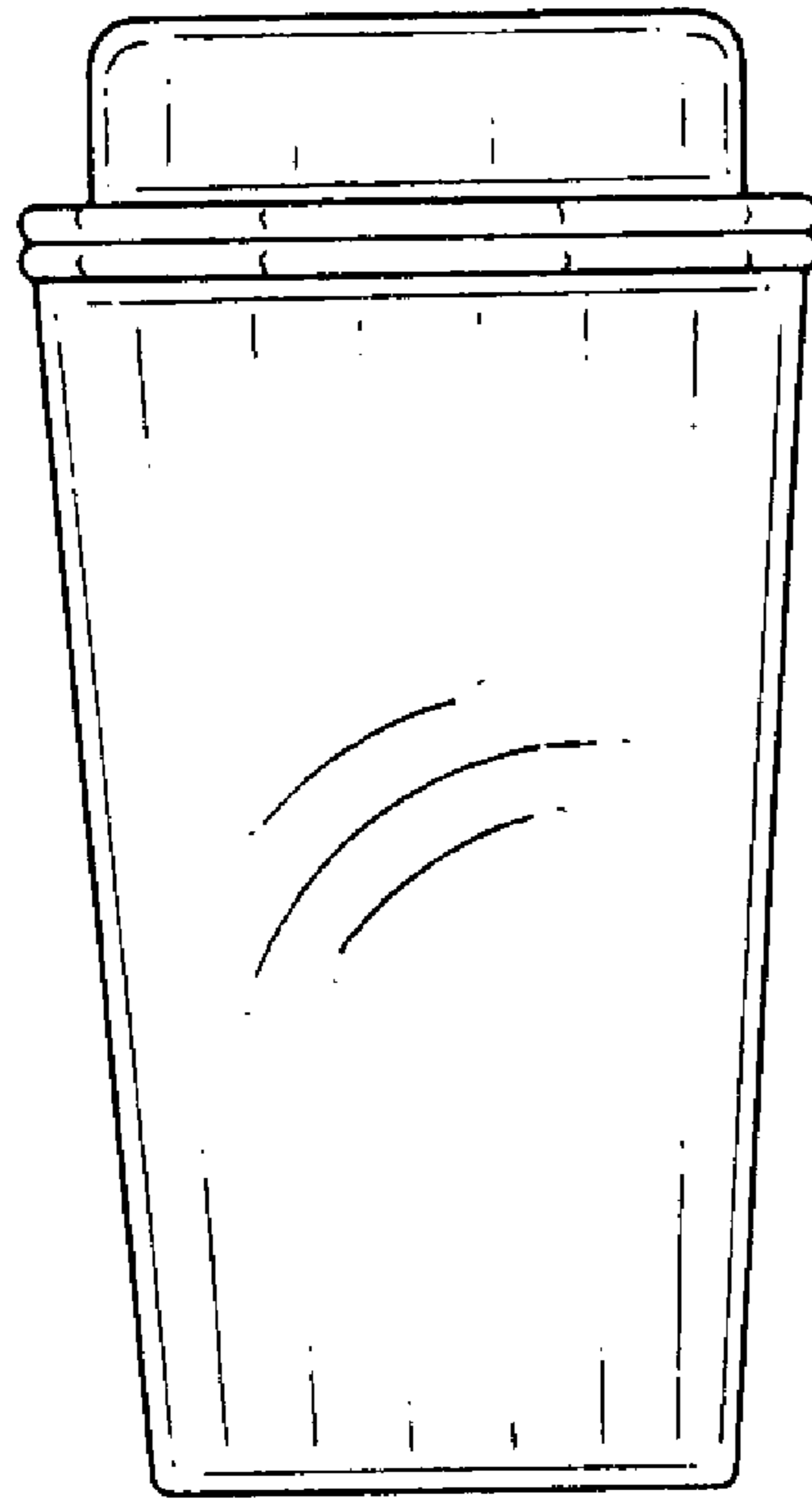


FIG. 5

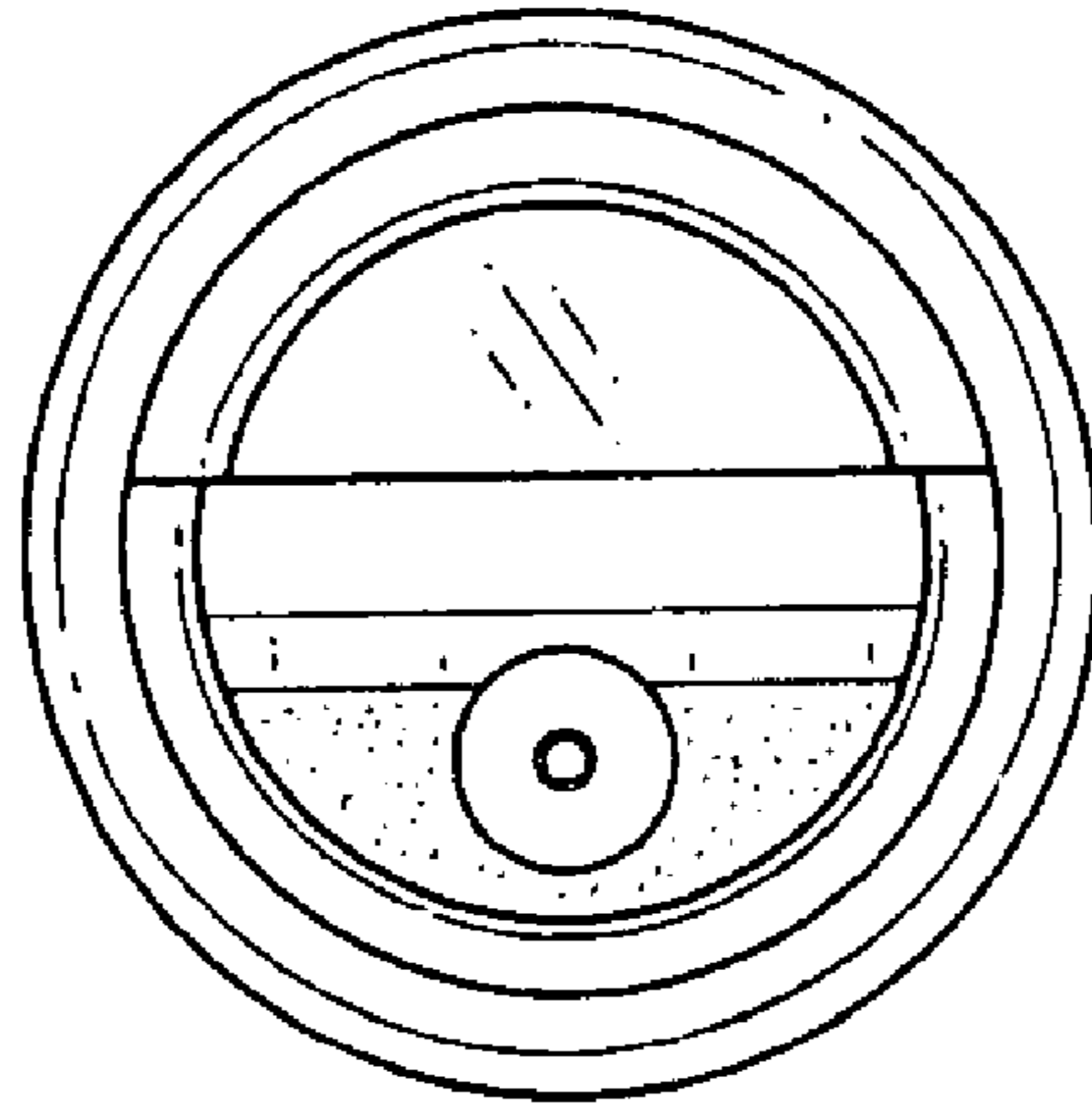


FIG. 6

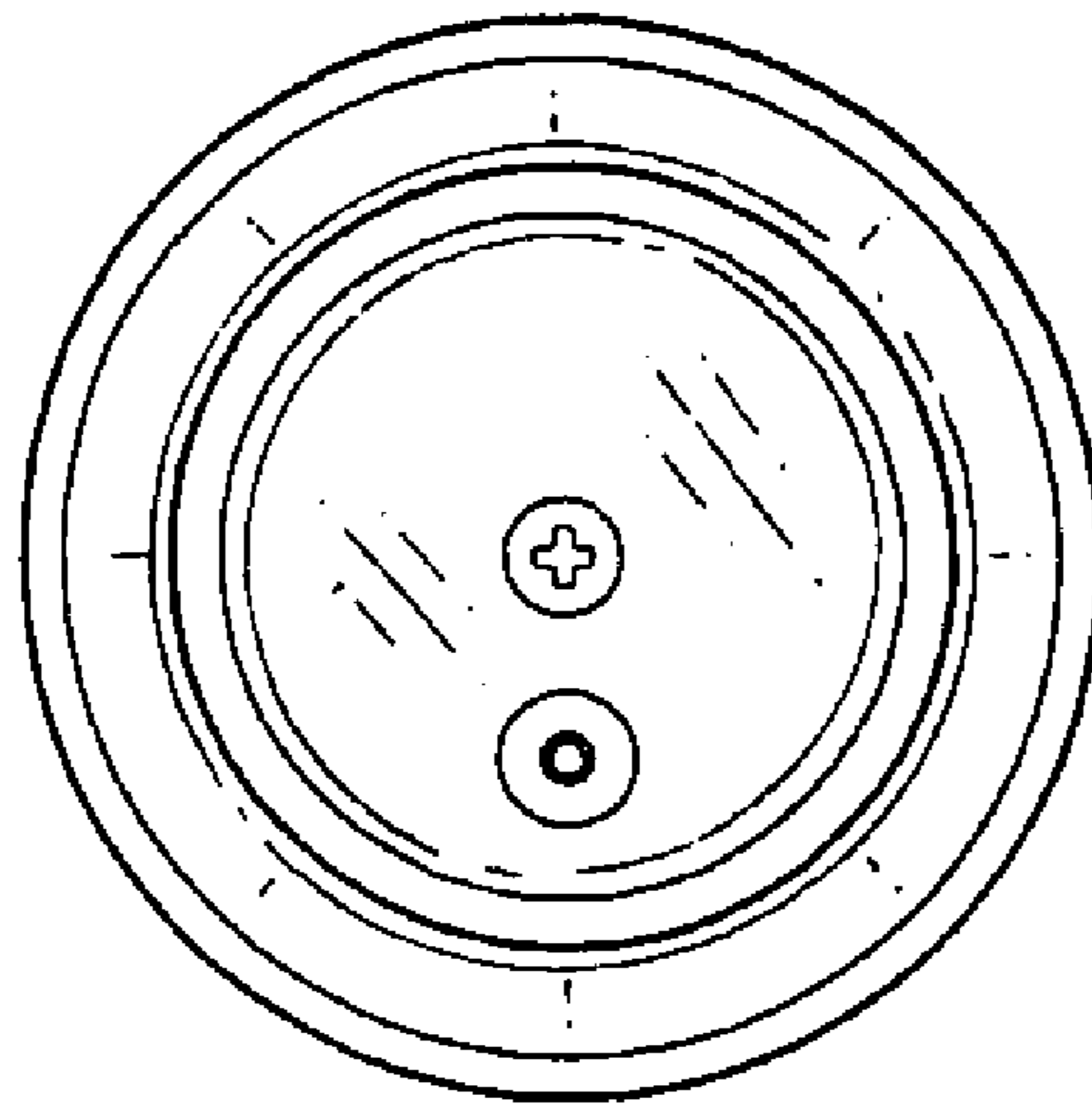


FIG. 7



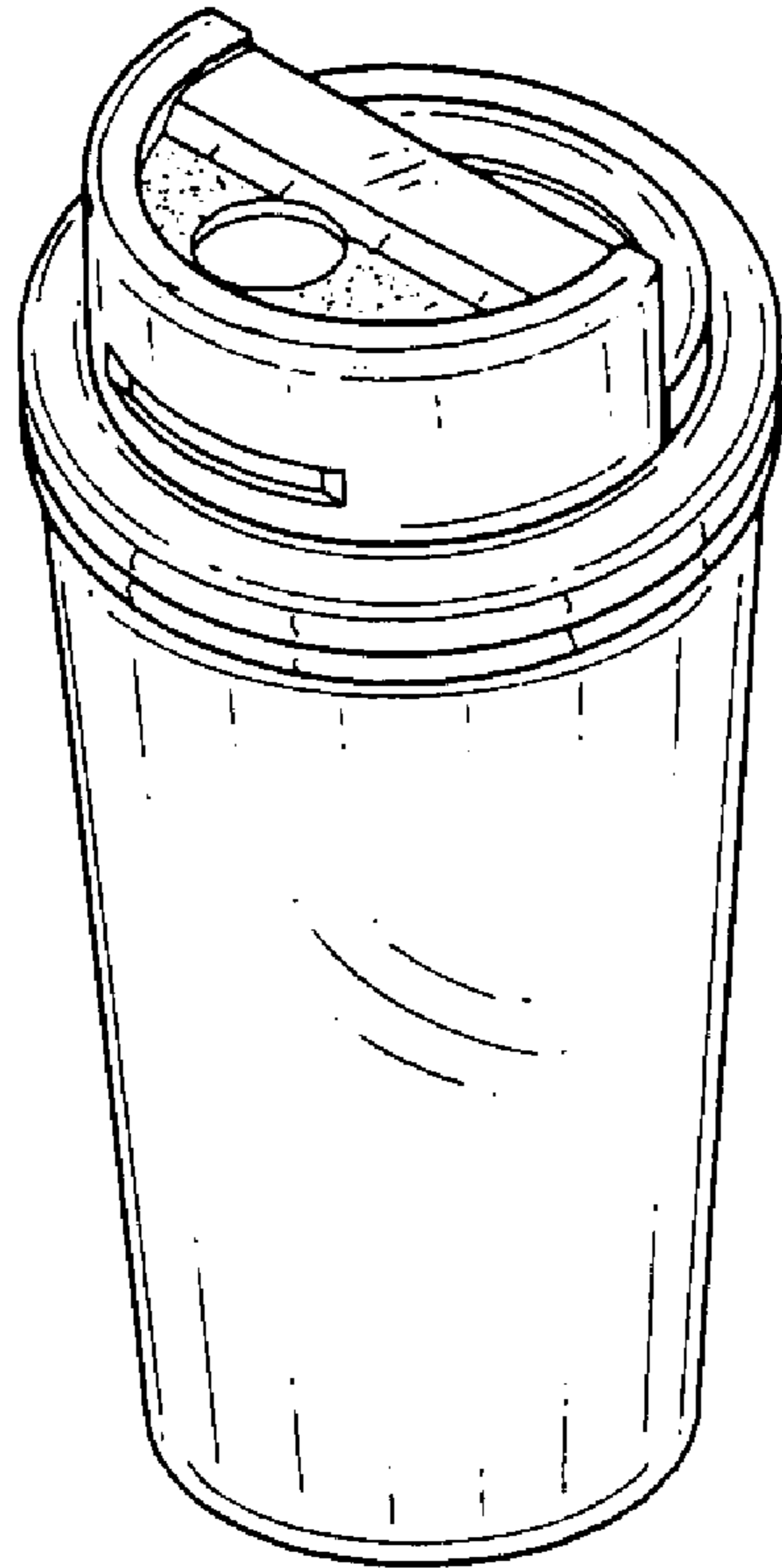


FIG. 8