

US00D540977S

(12) **United States Design Patent**
Hunkins

(10) **Patent No.:** **US D540,977 S**

(45) **Date of Patent:** **** Apr. 17, 2007**

(54) **SIDE MARKER LIGHT COVER**

(76) Inventor: **Brian Hunkins**, 603 Lairport St., El Segundo, CA (US) 90245

(**) Term: **14 Years**

(21) Appl. No.: **29/247,152**

(22) Filed: **Jun. 1, 2006**

(51) **LOC (8) Cl.** **26-99**

(52) **U.S. Cl.** **D26/119**

(58) **Field of Classification Search** D26/28-36,
D26/139; 362/61, 70, 73, 83, 329-340
See application file for complete search history.

(56) **References Cited**

U.S. PATENT DOCUMENTS

D282,687 S	2/1986	McMahon	
D364,704 S	* 11/1995	Alger	D26/139
D387,470 S	* 12/1997	Alger	D26/139
D387,471 S	* 12/1997	Alger	D26/139

D403,803 S	*	1/1999	Alger	D26/139
D412,214 S		7/1999	Hejtmanek	
D427,363 S		6/2000	Sacco et al.	
D432,064 S	*	10/2000	Hartog	D12/190

* cited by examiner

Primary Examiner—Marcus A. Jackson

(74) *Attorney, Agent, or Firm*—QuickPatents.com; Kevin Prince

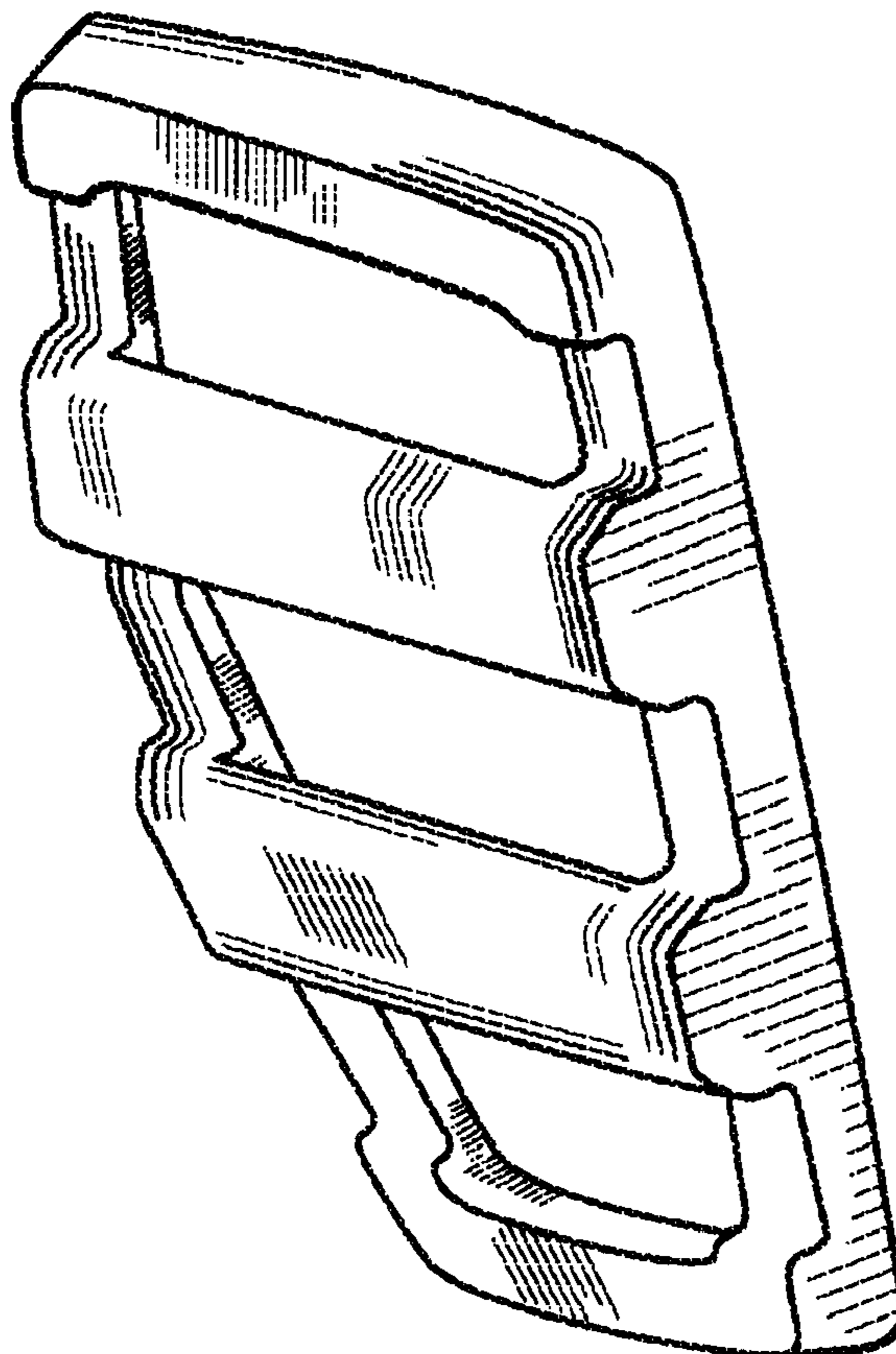
(57) **CLAIM**

The ornamental design for a side marker light cover, as shown and described.

DESCRIPTION

FIG. 1 is a perspective drawing of the invention; FIG. 2 is a left-side elevational view of the invention; FIG. 3 is a right-side elevational view of the invention; FIG. 4 is a front elevational view of the invention; FIG. 5 is a bottom plan view of the invention; and, FIG. 6 is a top plan view of the invention.

1 Claim, 1 Drawing Sheet



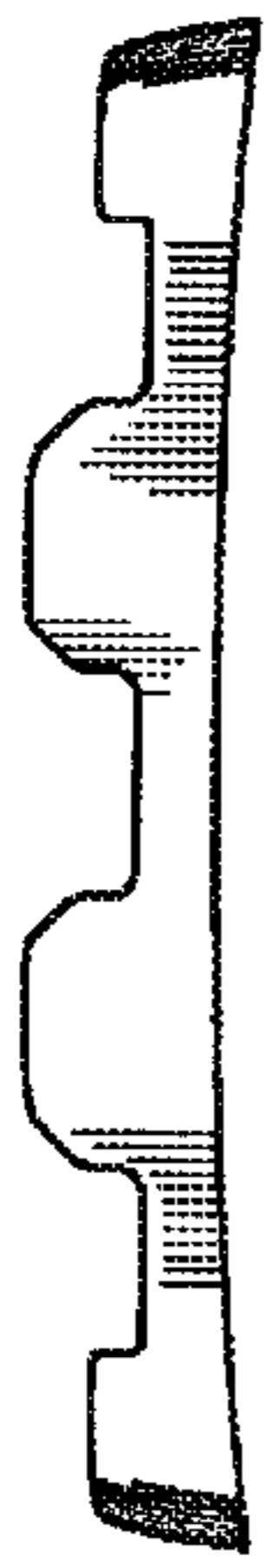


FIG. 2

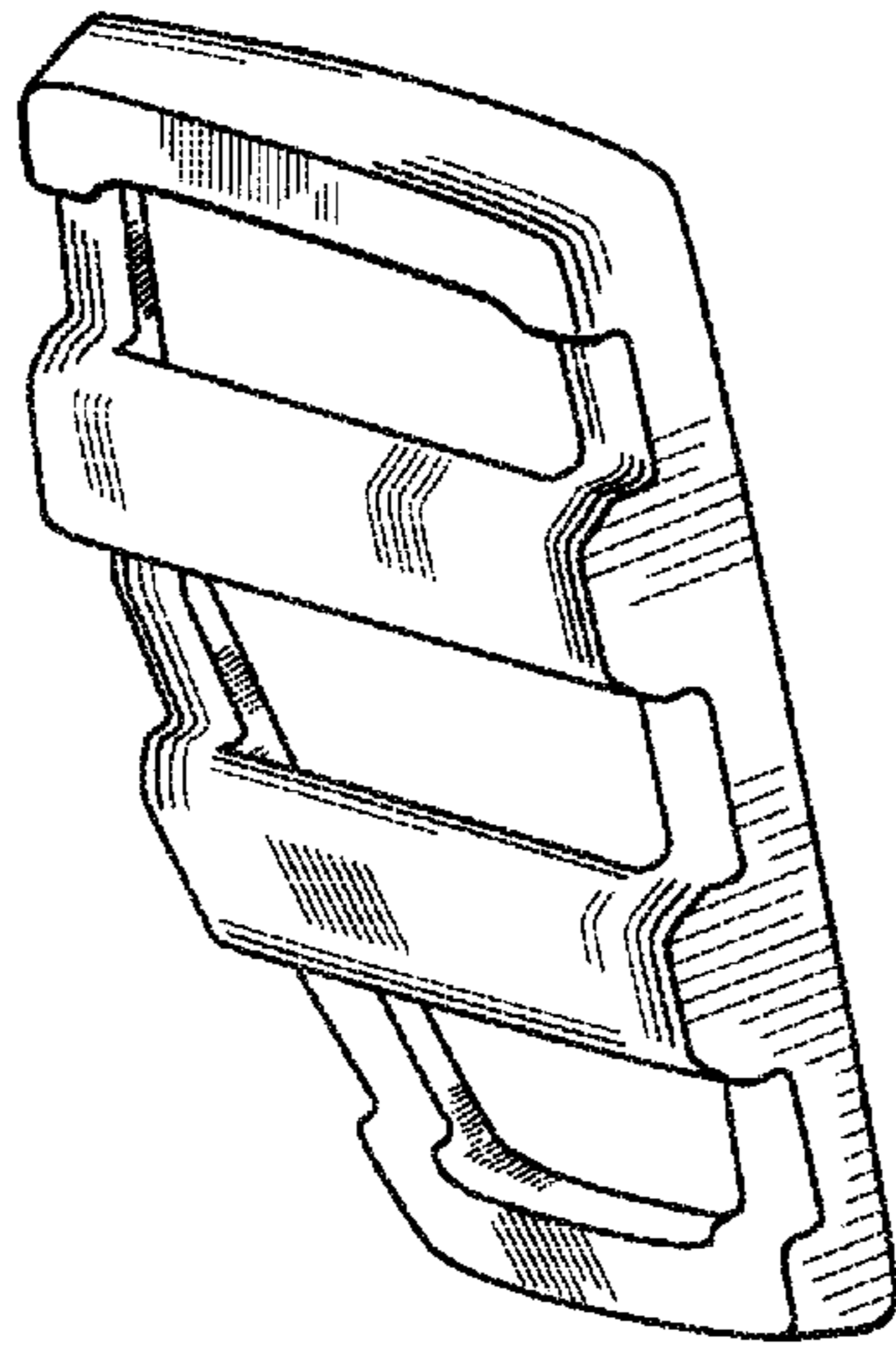


FIG. 1

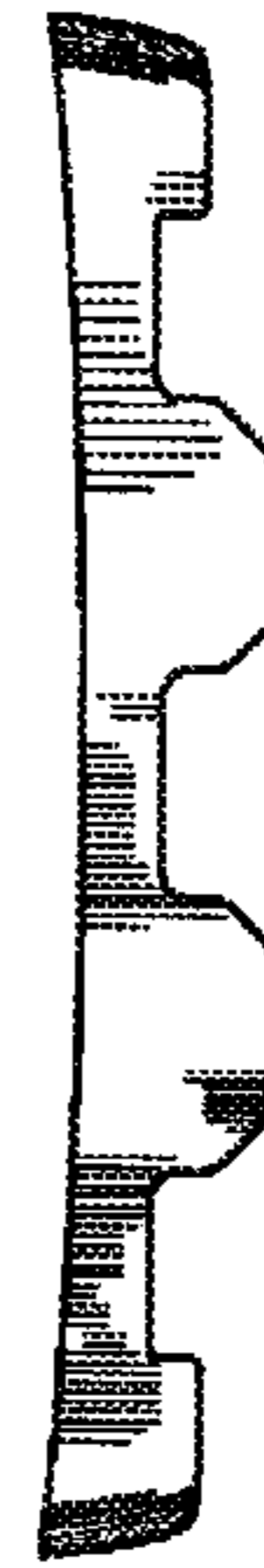


FIG. 3

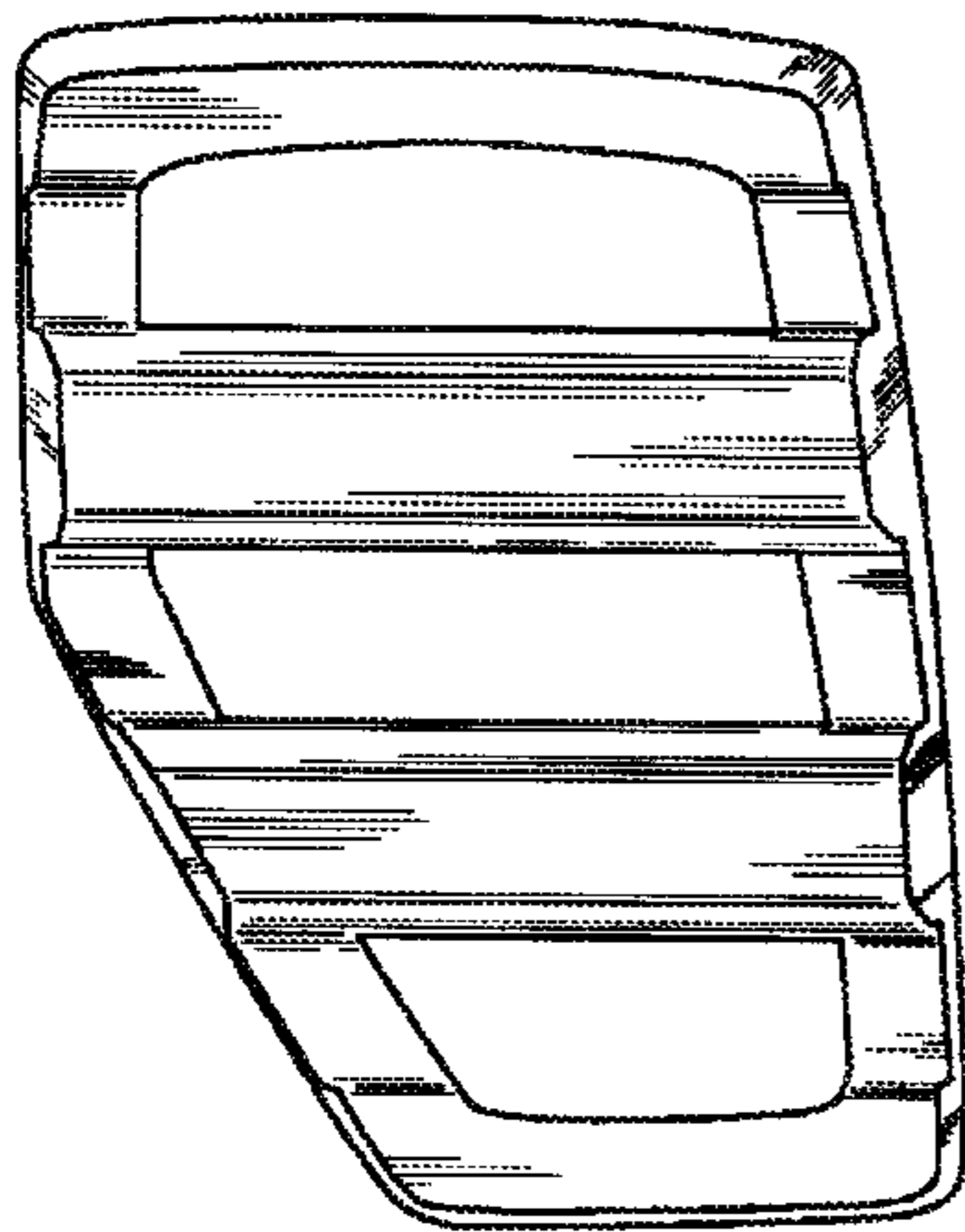


FIG. 4

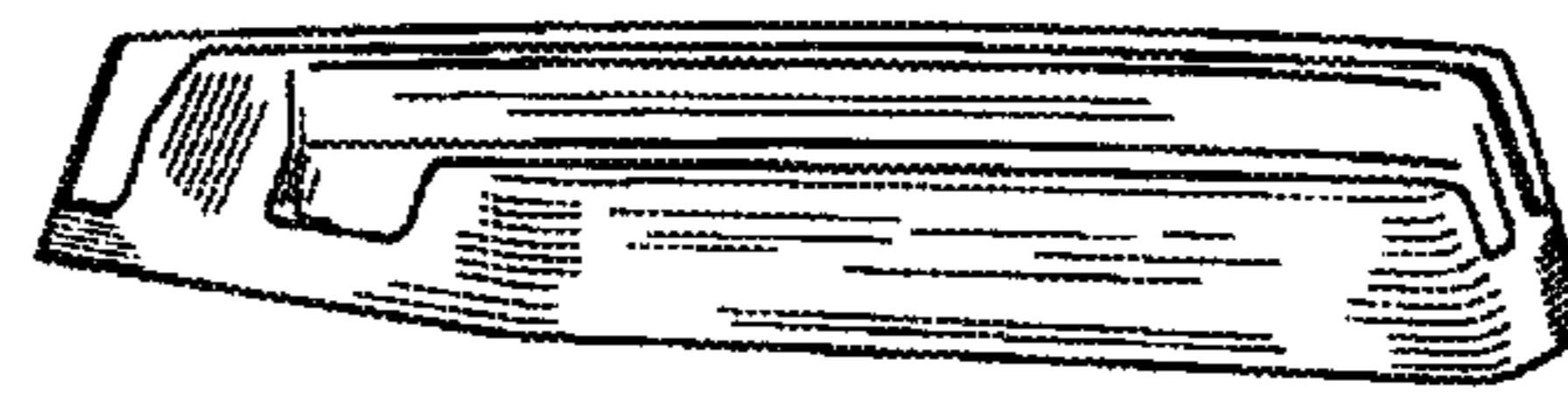


FIG. 5

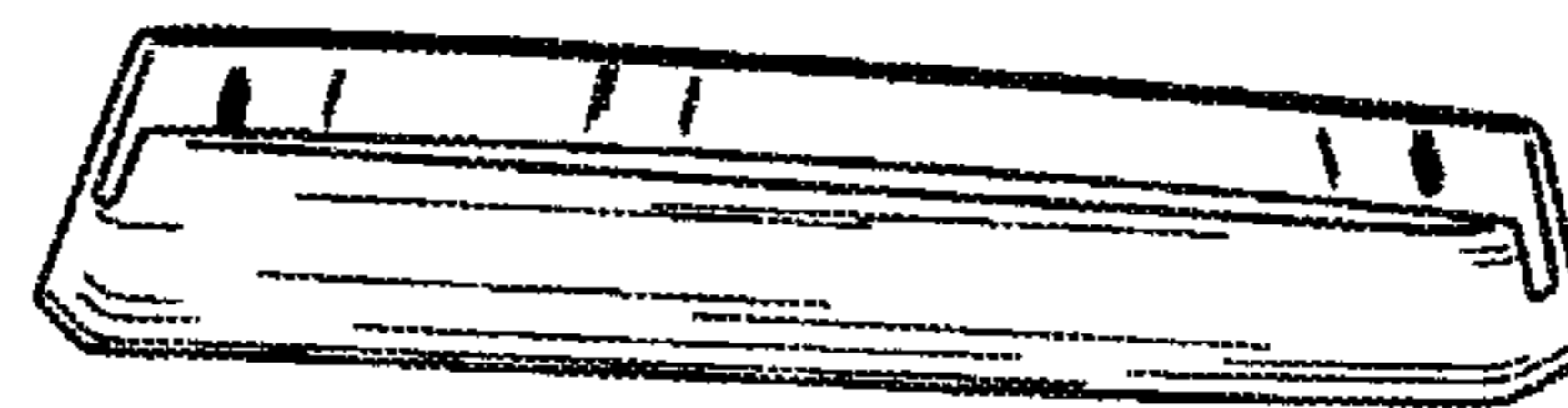


FIG. 6