



US00D540971S

(12) **United States Design Patent** (10) **Patent No.:** **US D540,971 S**  
**Bucher et al.** (45) **Date of Patent:** **\*\* Apr. 17, 2007**

(54) **OUTDOOR DECORATIVE LIGHT**

(75) Inventors: **John C. Bucher**, Hillsboro Beach, FL (US); **Scott Searle**, Wan Chai (HK); **Tien S. Lowe**, Pembroke Pines, FL (US)

(73) Assignee: **King of Fans, Inc.**, Fort Lauderdale, FL (US)

(\*\*) Term: **14 Years**

(21) Appl. No.: **29/258,467**

(22) Filed: **Apr. 21, 2006**

**Related U.S. Application Data**

(62) Division of application No. 29/233,312, filed on Jun. 30, 2005.

(51) **LOC (8) Cl.** ..... **26-05**

(52) **U.S. Cl.** ..... **D26/71; D26/68; D26/92**

(58) **Field of Classification Search** ..... D26/67, D26/87, 92, 68-71; 362/147, 404-408, 431  
See application file for complete search history.

(56) **References Cited**

**U.S. PATENT DOCUMENTS**

D38,832 S	*	9/1907	Lederer	.....	D26/71
D76,190 S	*	8/1928	Helvey	.....	D26/51
D170,152 S	*	8/1953	Daum	.....	D26/51
2,659,809 A	*	11/1953	Melia	.....	362/356
D226,582 S	*	3/1973	Iannini	.....	D26/68
D464,766 S		10/2002	De'Armond et al.	.....	D26/87
D465,053 S		10/2002	Pasquale	.....	D26/87
D495,817 S		9/2004	Bucher et al.	.....	D26/67
D496,119 S		9/2004	Bucher et al.	.....	D6/67
D497,022 S		10/2004	Bucher et al.	.....	D6/67
D500,160 S		12/2004	Bucher et al.	.....	D6/71
D500,161 S		12/2004	Bucher et al.	.....	D6/71
D500,876 S		1/2005	Bucher et al.	.....	D6/67

**OTHER PUBLICATIONS**

Brass Outdoor Lantern, [online] Hinkley Lighting, Hinkley Lighting—Classic Cool, products, families with products in the Brass Outdoor Lantern category, 4 pages [retrieved on Jun. 29, 2005] Retrieved from: <http://www.hinkleylighting.com/products/catams.asp?cid=013&fid=018110>.

Cast Outdoor Lantern, [online] Hinkley Lighting, Hinkley Light—Classic Cool, products, families with products in the Cast Outdoor Lantern category, 2 pages [retrieved on Jun. 29, 2005] Retrieved from: <http://www.hinkleylighting.com/products/catfams.asp?cid=011&fid=08110>.

“Bromley”, [online] The Home Depot, 5 matching products, [retrieved on Jun. 29, 2005] 2 pages, Retrieved from: [http://www.homedepot.com/pre180/HDUS/EN\\_US/jsearch/searchResults.jsp?CNTTYPE=...](http://www.homedepot.com/pre180/HDUS/EN_US/jsearch/searchResults.jsp?CNTTYPE=...)

\* cited by examiner

*Primary Examiner*—Clare E Heflin

(74) *Attorney, Agent, or Firm*—Brian S. Steinberger; Law Offices of Brian S. Steinberger, P.A.

(57) **CLAIM**

The ornamental design for an outdoor decorative light, as shown and described.

**DESCRIPTION**

FIG. 1 is an upper front right perspective view of the outdoor decorative light showing the new design;

FIG. 2 is a lower front right perspective view of the design of FIG. 1.

FIG. 3 is a front view of the design of FIG. 1.

FIG. 4 is a right side view of the design of FIG. 1.

FIG. 5 is a rear view of the design of FIG. 1.

FIG. 6 is a left side view of the design of FIG. 1.

FIG. 7 is a top view of the design of FIG. 1; and,

FIG. 8 is a bottom view of the design of FIG. 1.

The broken lines shown on the drawings are for illustrative purposes only and form no part of the claimed design.

**1 Claim, 7 Drawing Sheets**

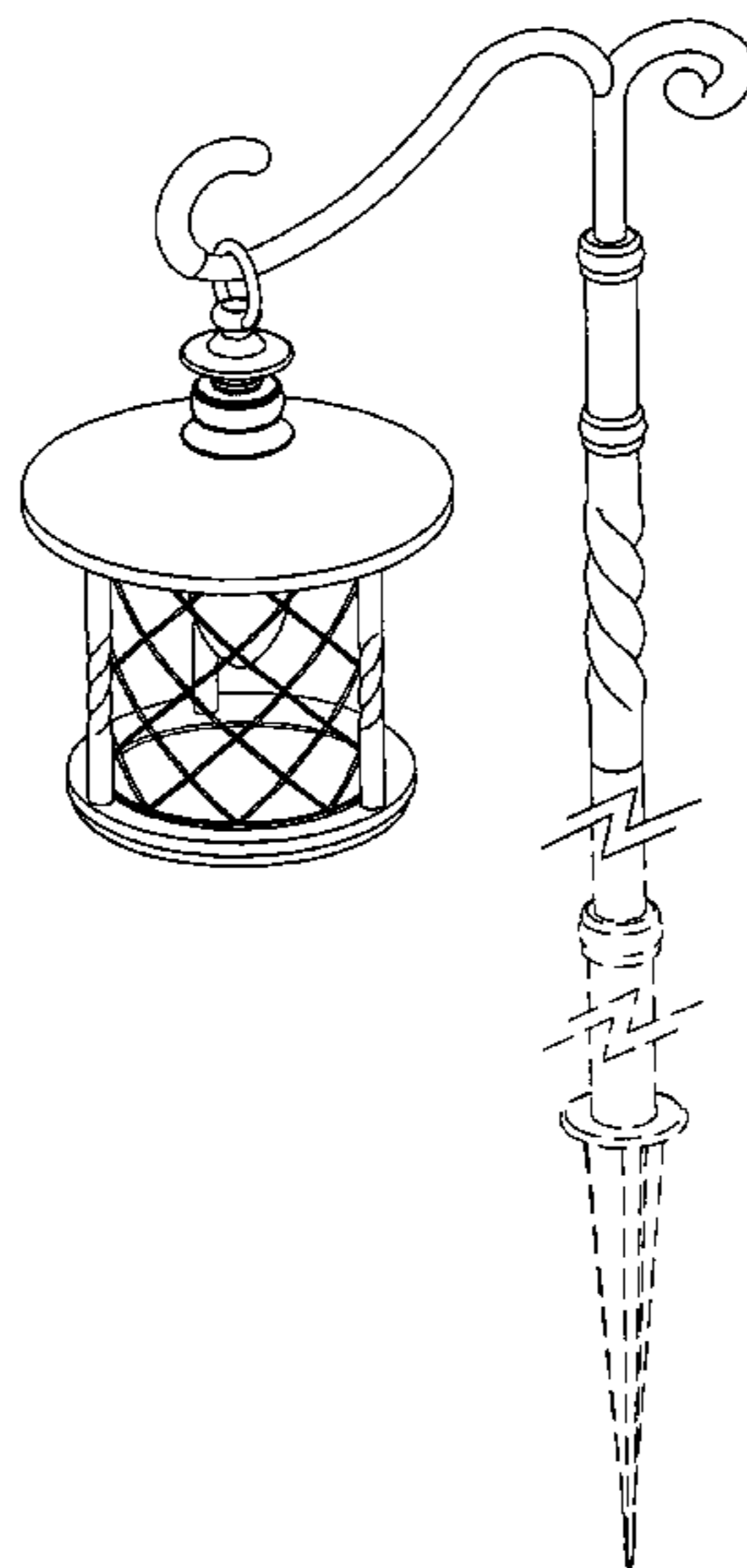


Fig.1

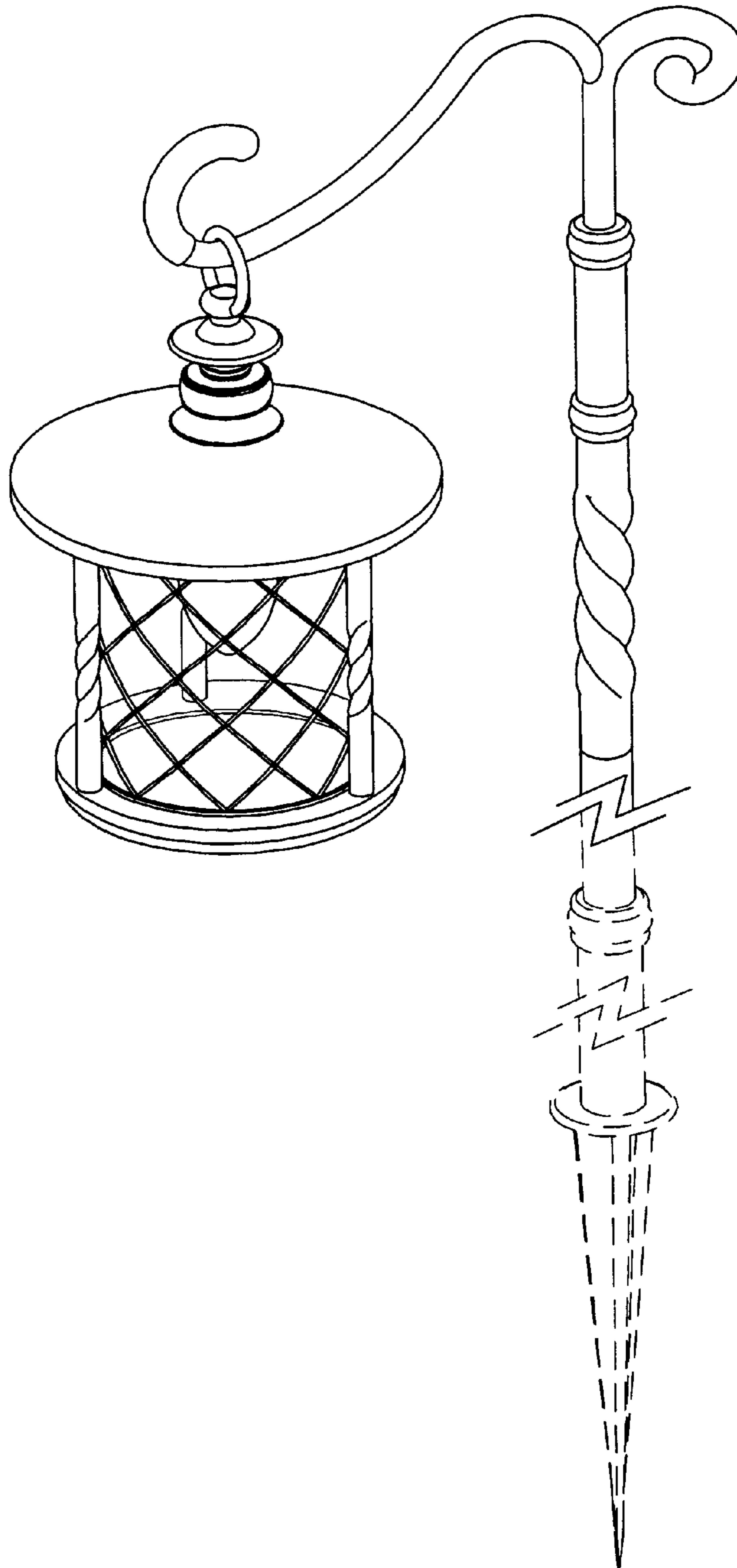


Fig.2

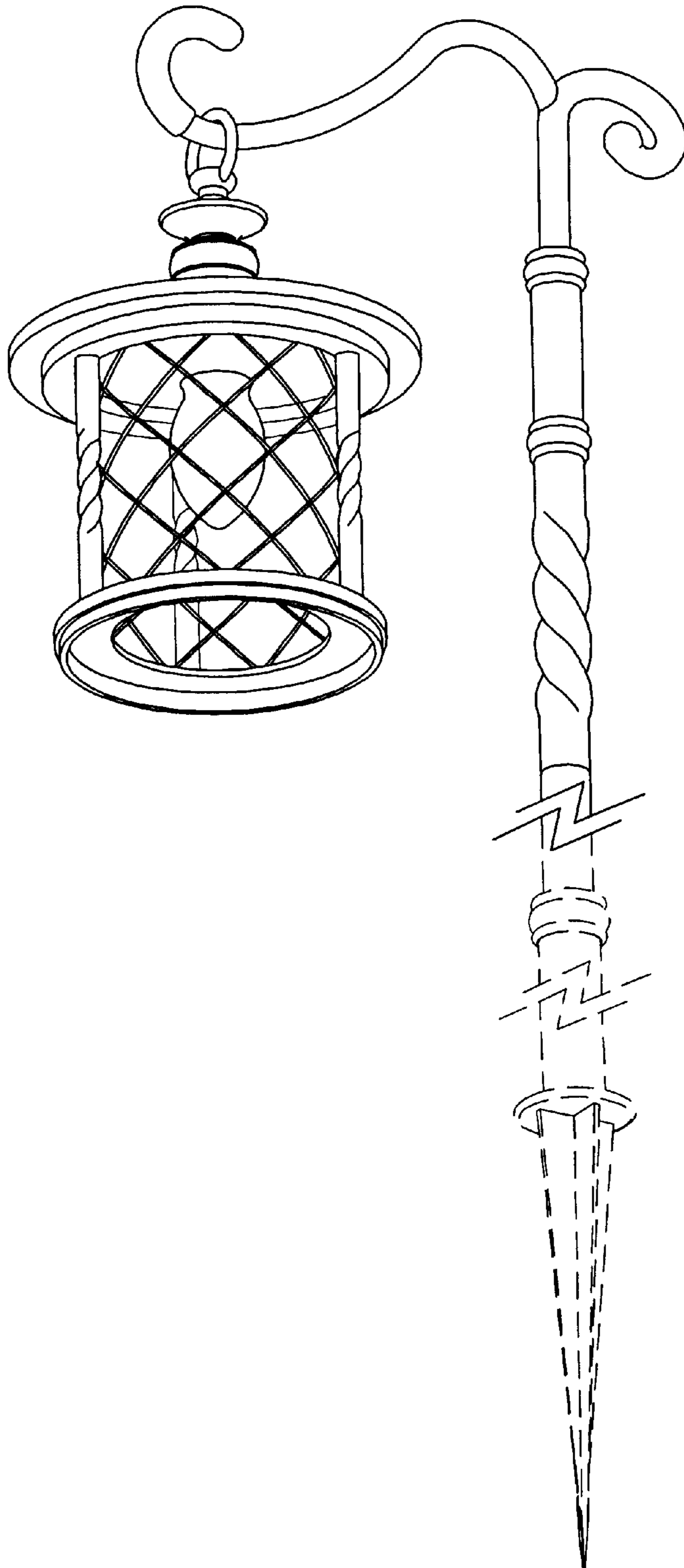


Fig.3

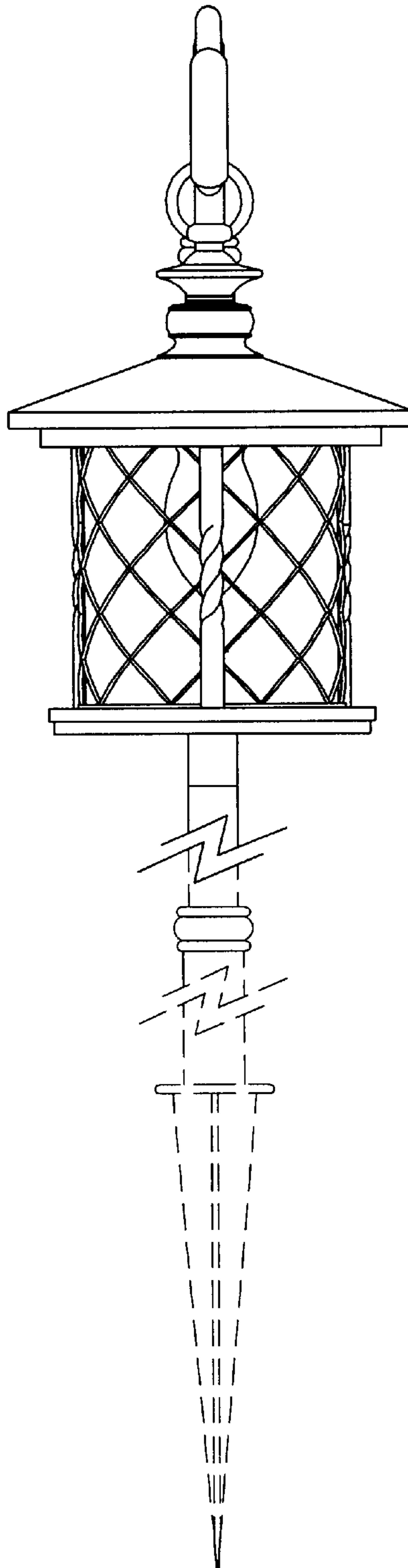


Fig.4

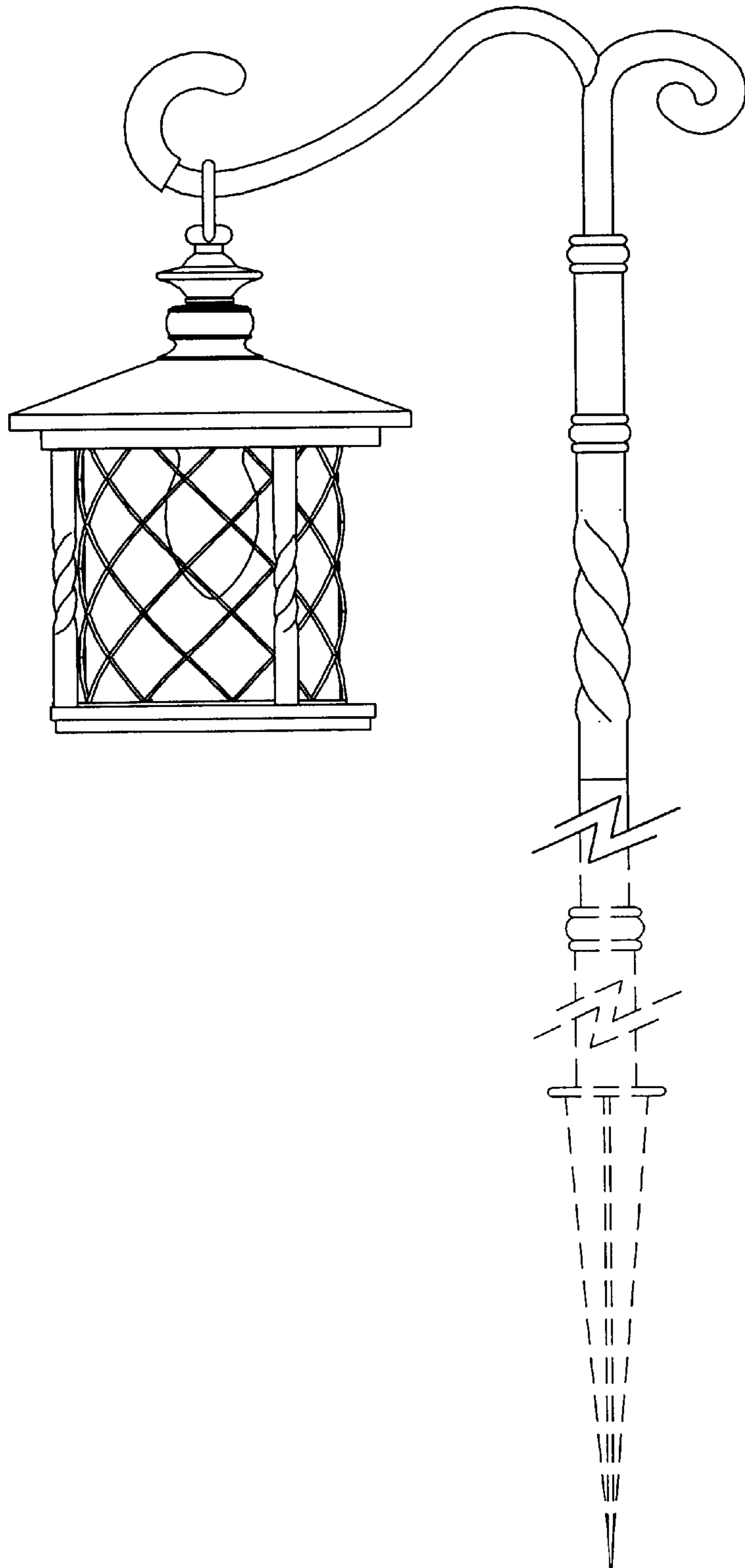


Fig.5

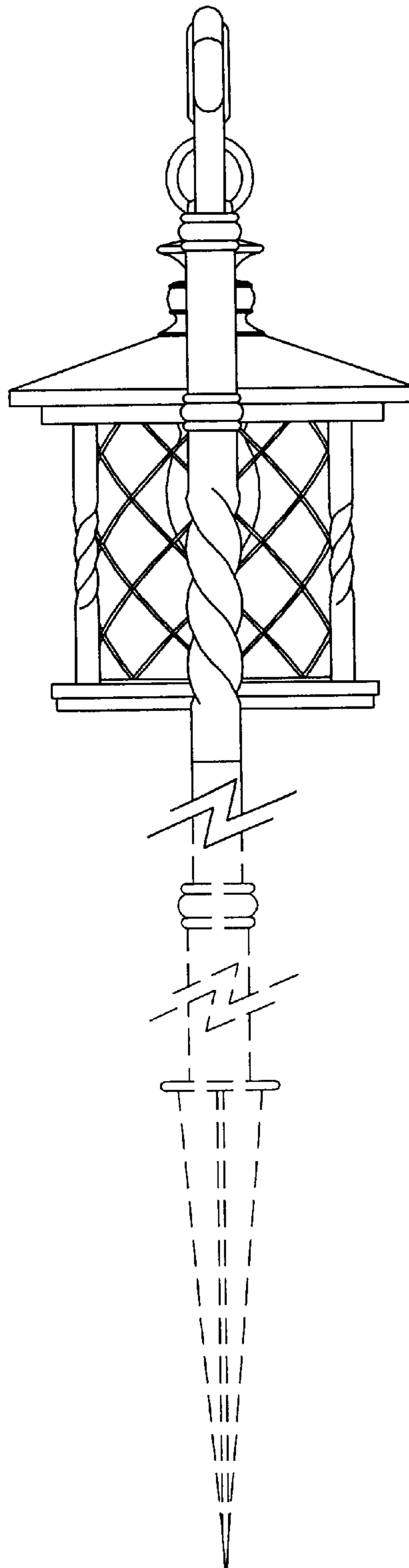




Fig.6

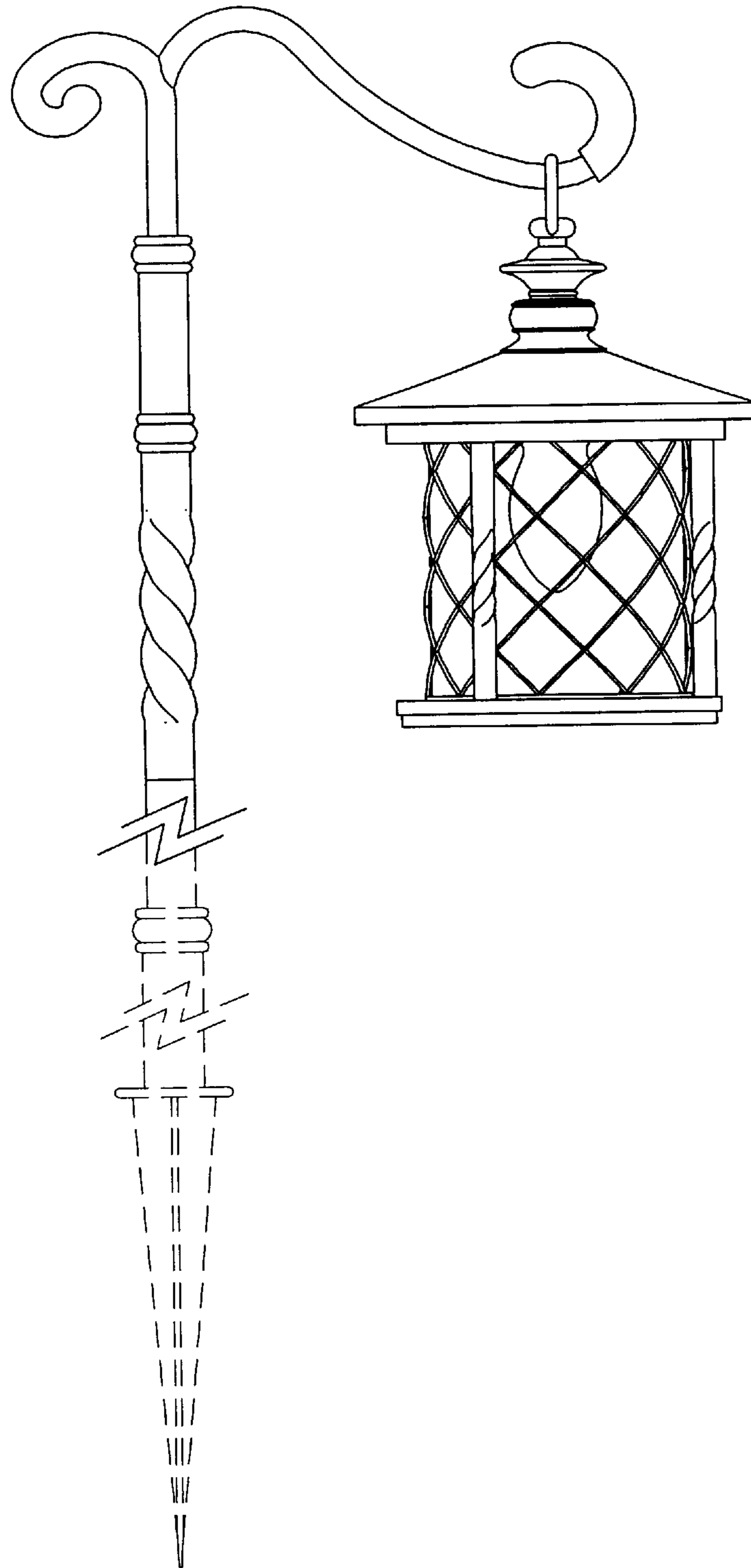


FIG. 7

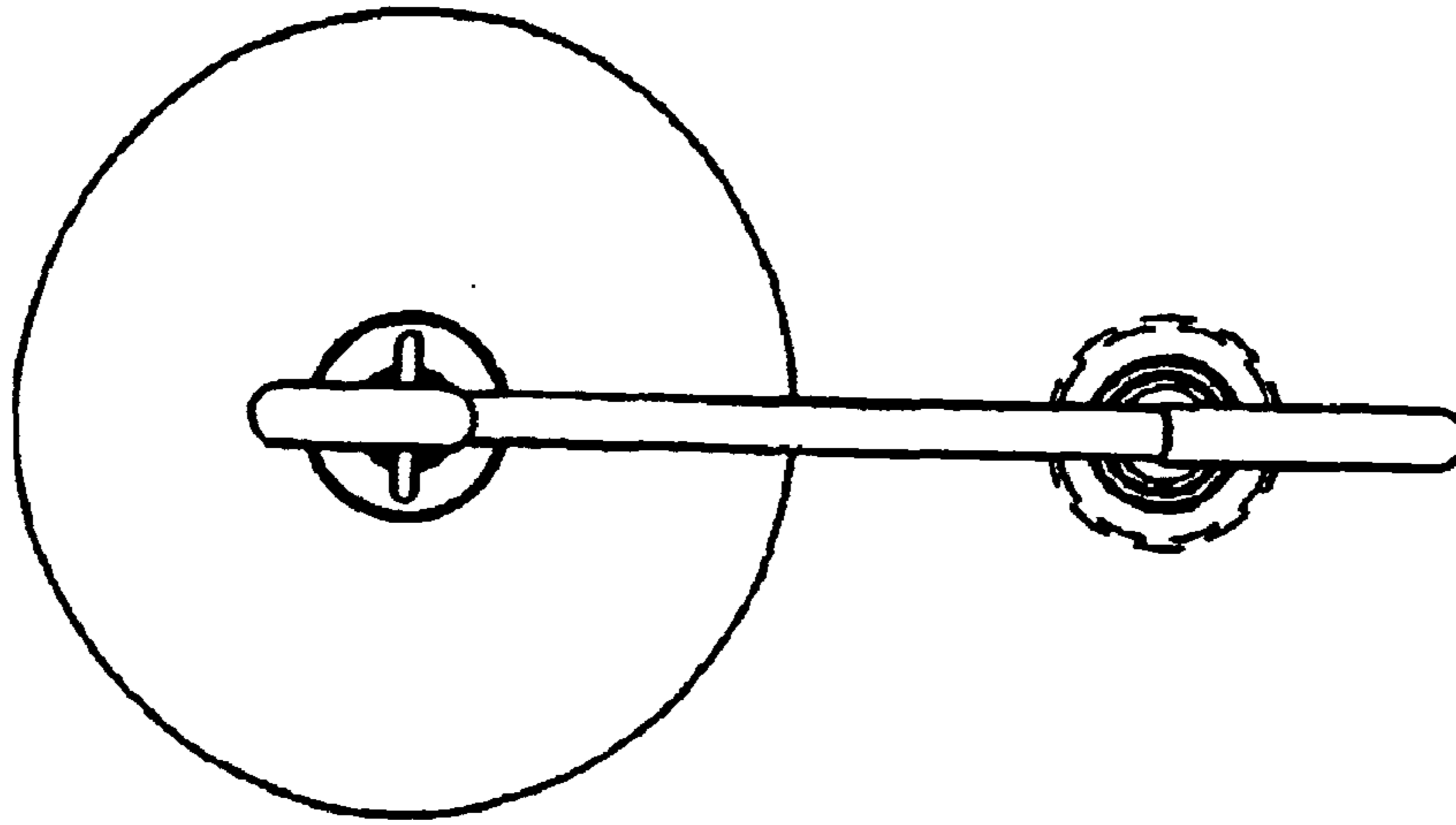


FIG. 8

