



US00D540966S

(12) **United States Design Patent**
Ueda et al.

(10) **Patent No.:** **US D540,966 S**
(45) **Date of Patent:** **** Apr. 17, 2007**

(54) **HEADLAMP FOR A BICYCLE**

D529,639 S * 10/2006 Okuda D26/28
D532,129 S * 11/2006 Chen D26/28

(75) Inventors: **Takashi Ueda**, Izumi (JP); **Toshiyuki Nagano**, Izumisano (JP); **Yoji Okuda**, Tondabayashi (JP)

* cited by examiner

(73) Assignee: **Cateye Co., Ltd.**, Osaka (JP)

Primary Examiner—Marcus A. Jackson
(74) *Attorney, Agent, or Firm*—Olson & Hierl, Ltd.

(**) Term: **14 Years**

(57) **CLAIM**

(21) Appl. No.: **29/261,368**

The ornamental design for a headlamp for a bicycle, as shown.

(22) Filed: **Jun. 13, 2006**

DESCRIPTION

(30) **Foreign Application Priority Data**

Jan. 12, 2006 (JP) 2006-000380

FIG. 1 is a perspective view of a headlamp for a bicycle showing our new design;

(51) **LOC (8) Cl.** **26-06**

FIG. 2 is a front view thereof;

(52) **U.S. Cl.** **D26/28**

FIG. 3 is a rear view thereof;

(58) **Field of Classification Search** D26/28-36;
362/459-468, 475-478, 485-487
See application file for complete search history.

FIG. 4 is a top plan view thereof;

FIG. 5 is a bottom plan view thereof;

FIG. 6 is a right side view thereof; and,

FIG. 7 is a left side view thereof.

(56) **References Cited**

U.S. PATENT DOCUMENTS

D520,155 S * 5/2006 Okuda D26/28

1 Claim, 3 Drawing Sheets

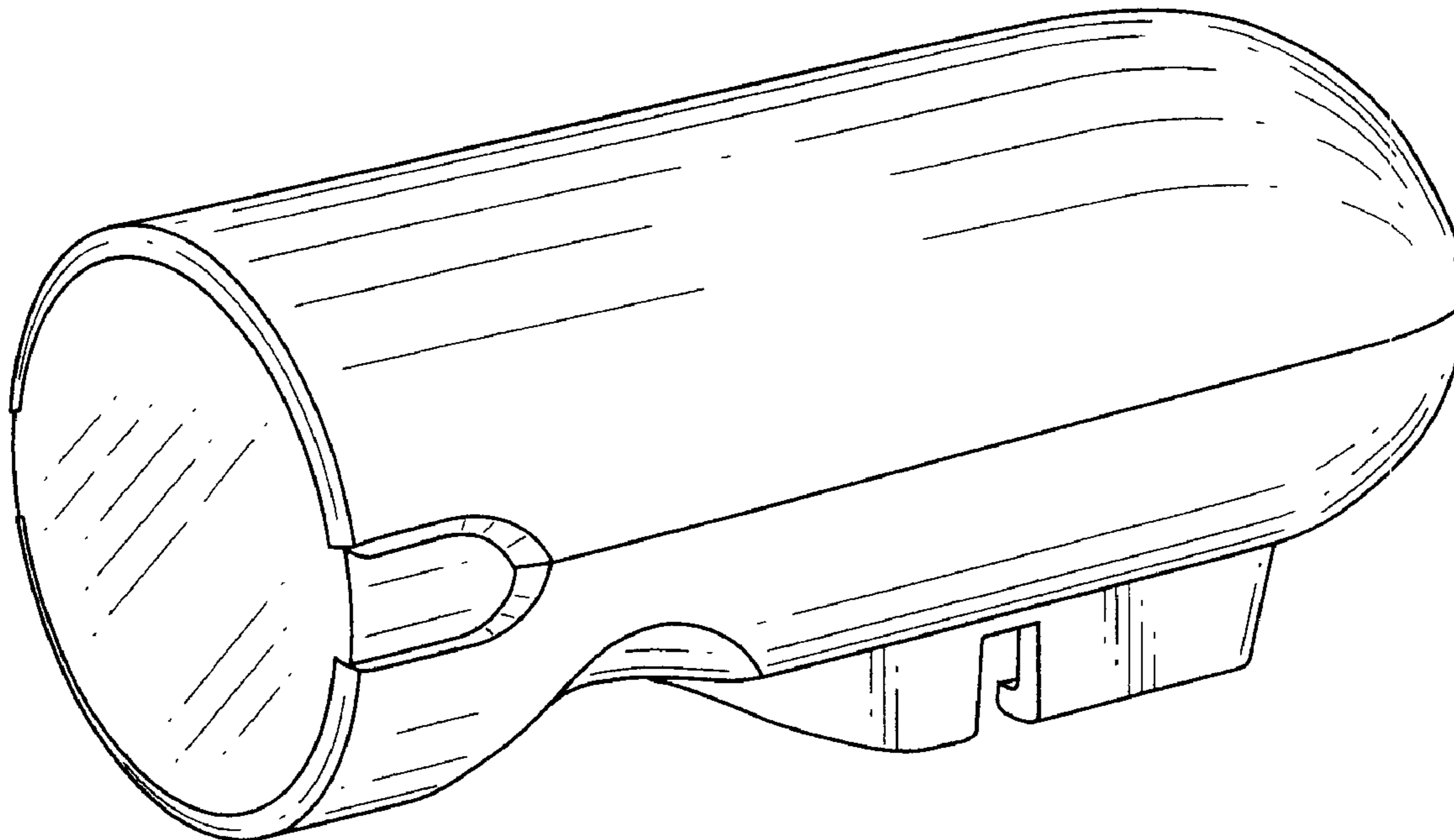


Fig. 1

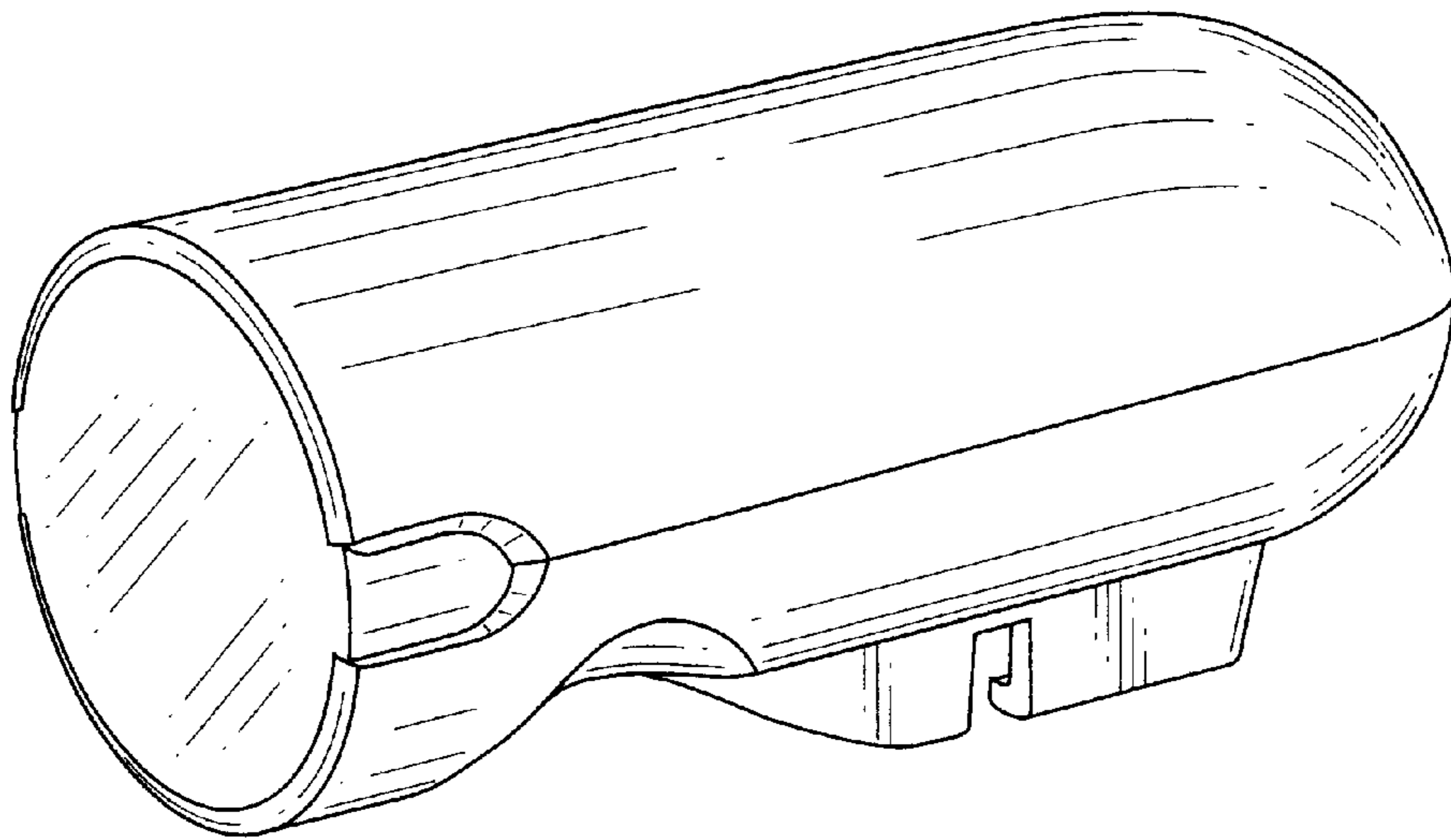


Fig. 2

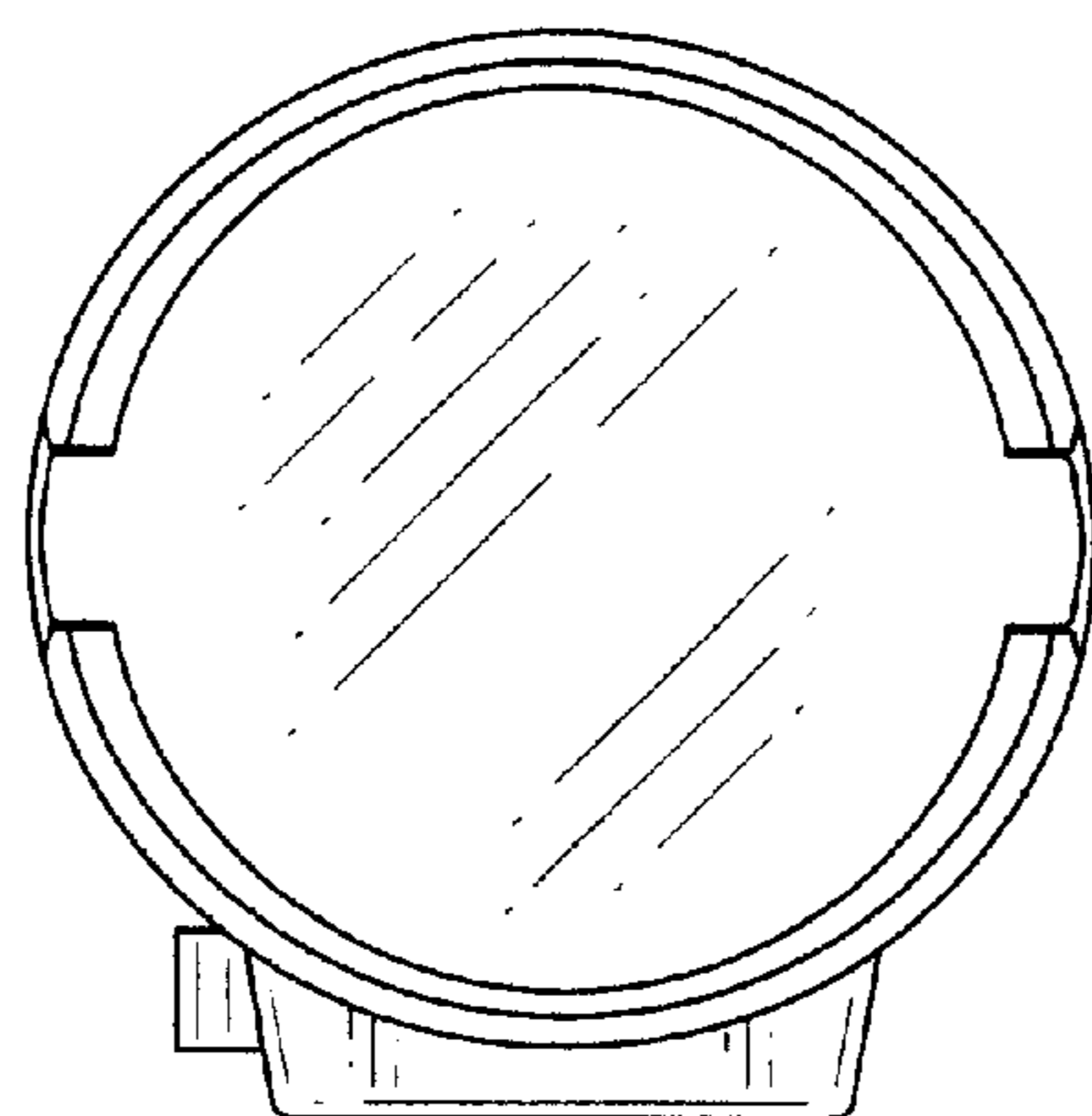


Fig. 3

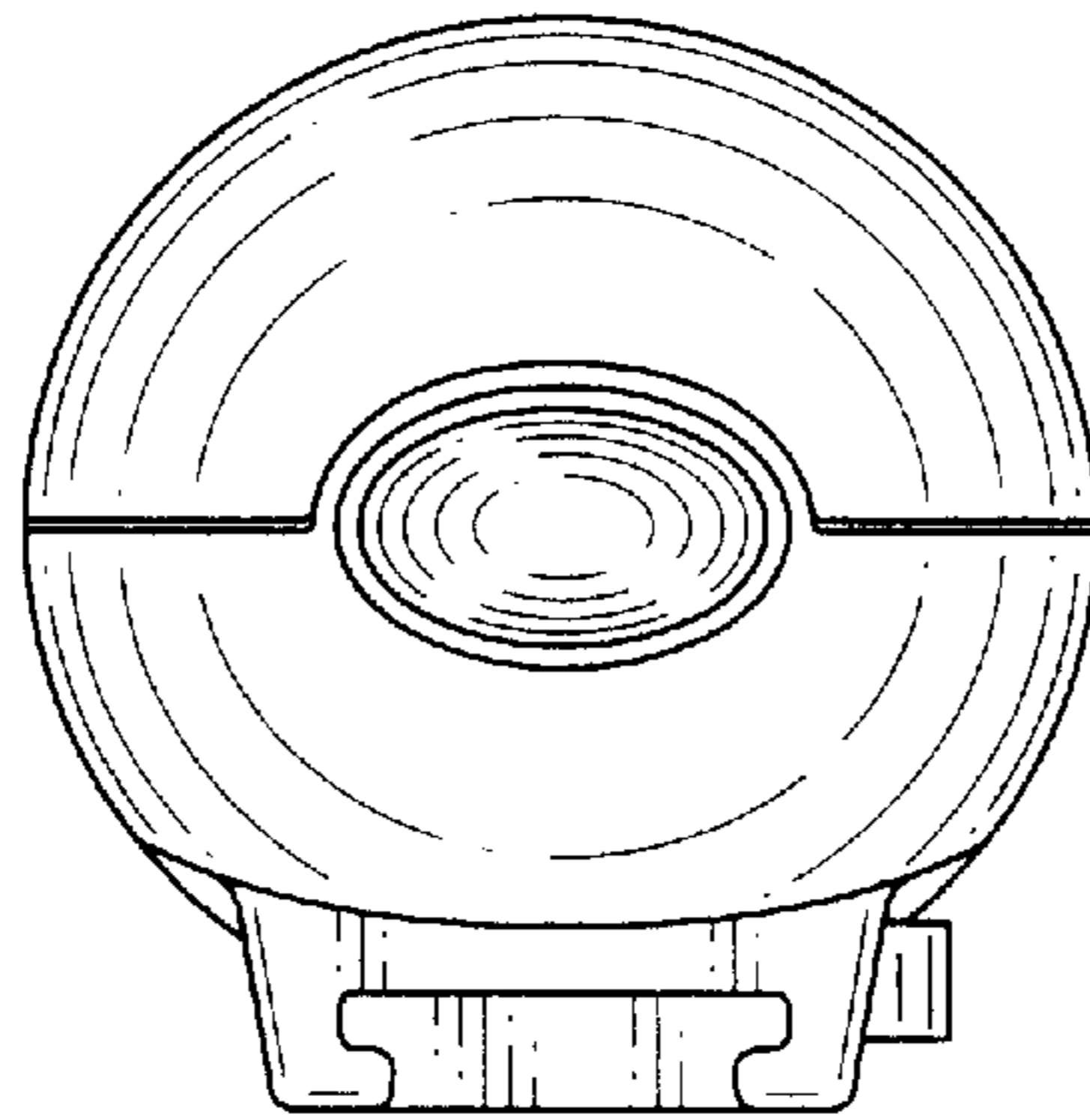


Fig. 4

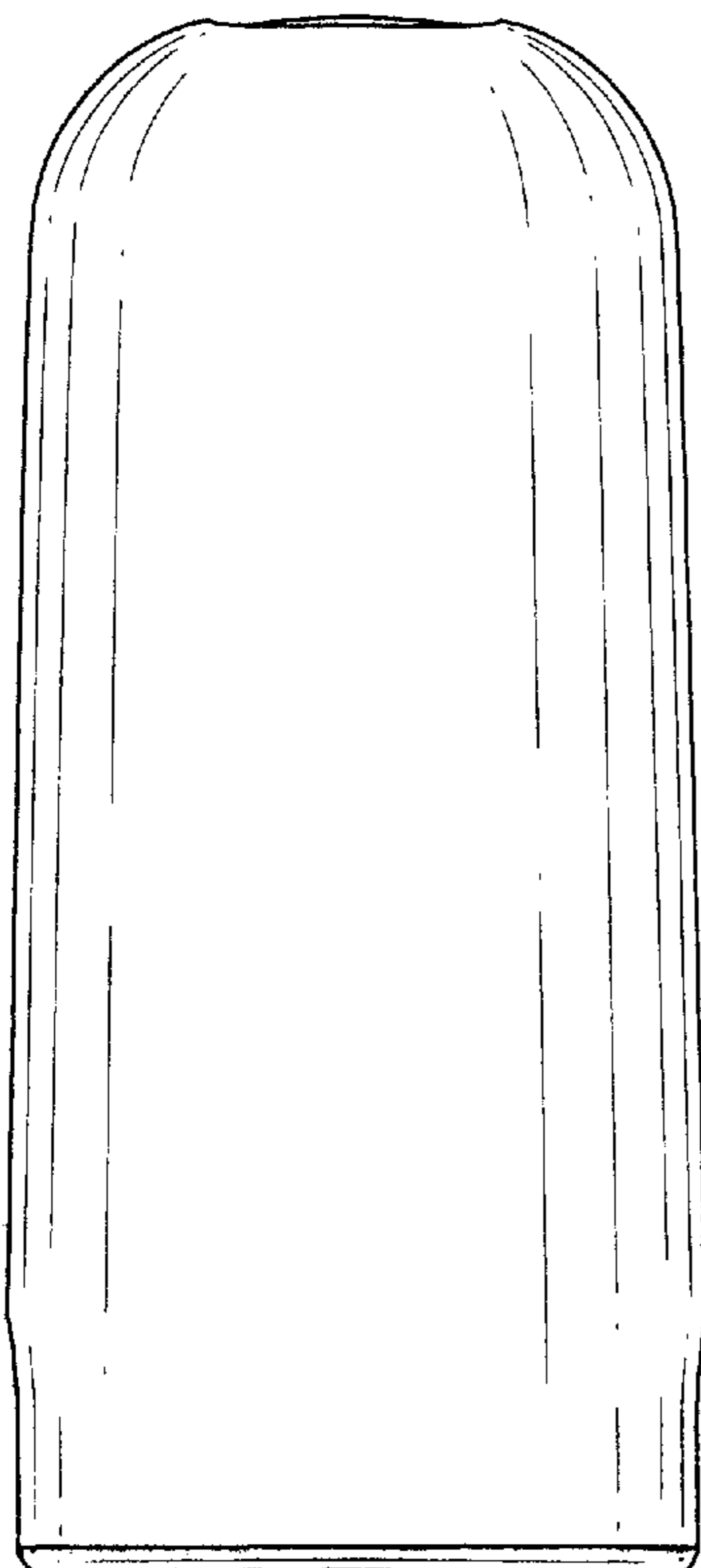


Fig. 5

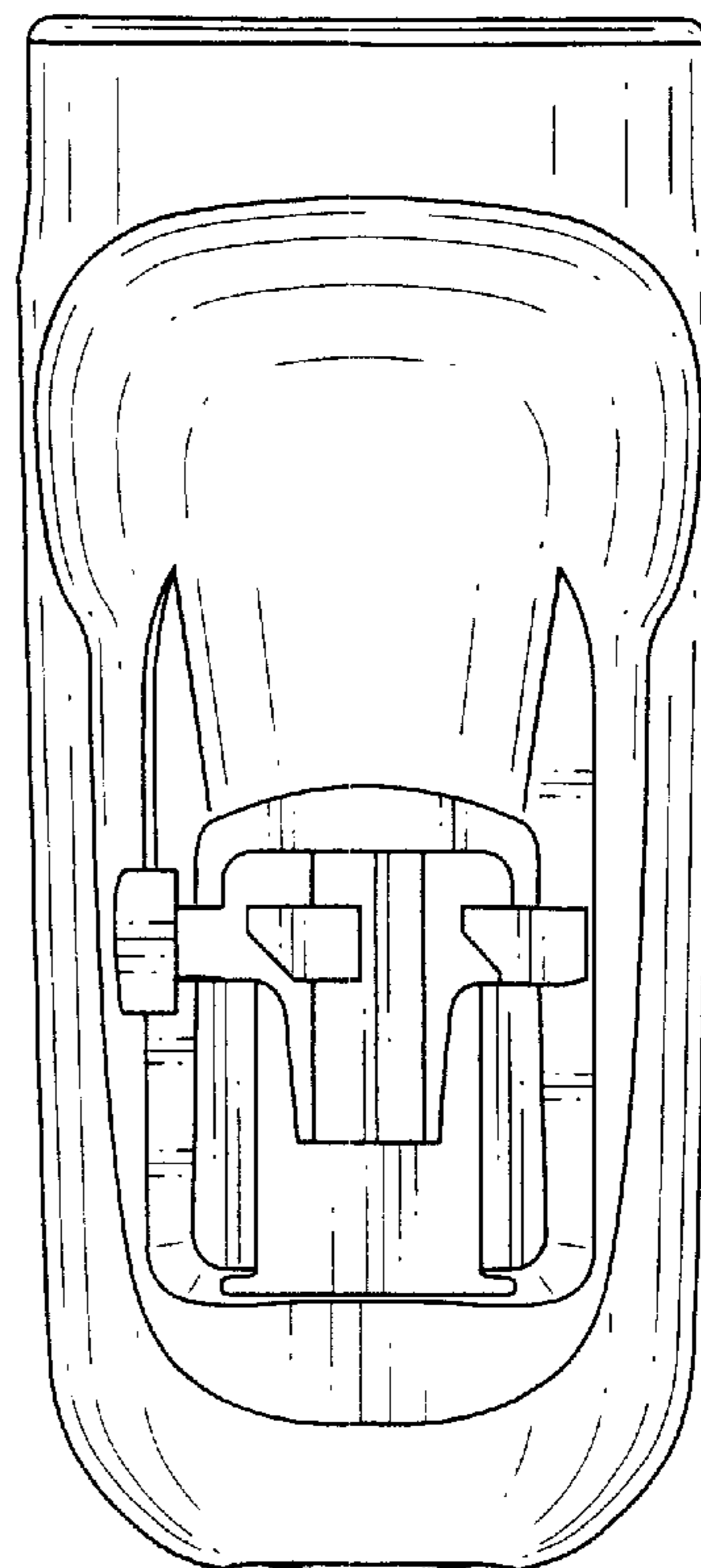


Fig. 6

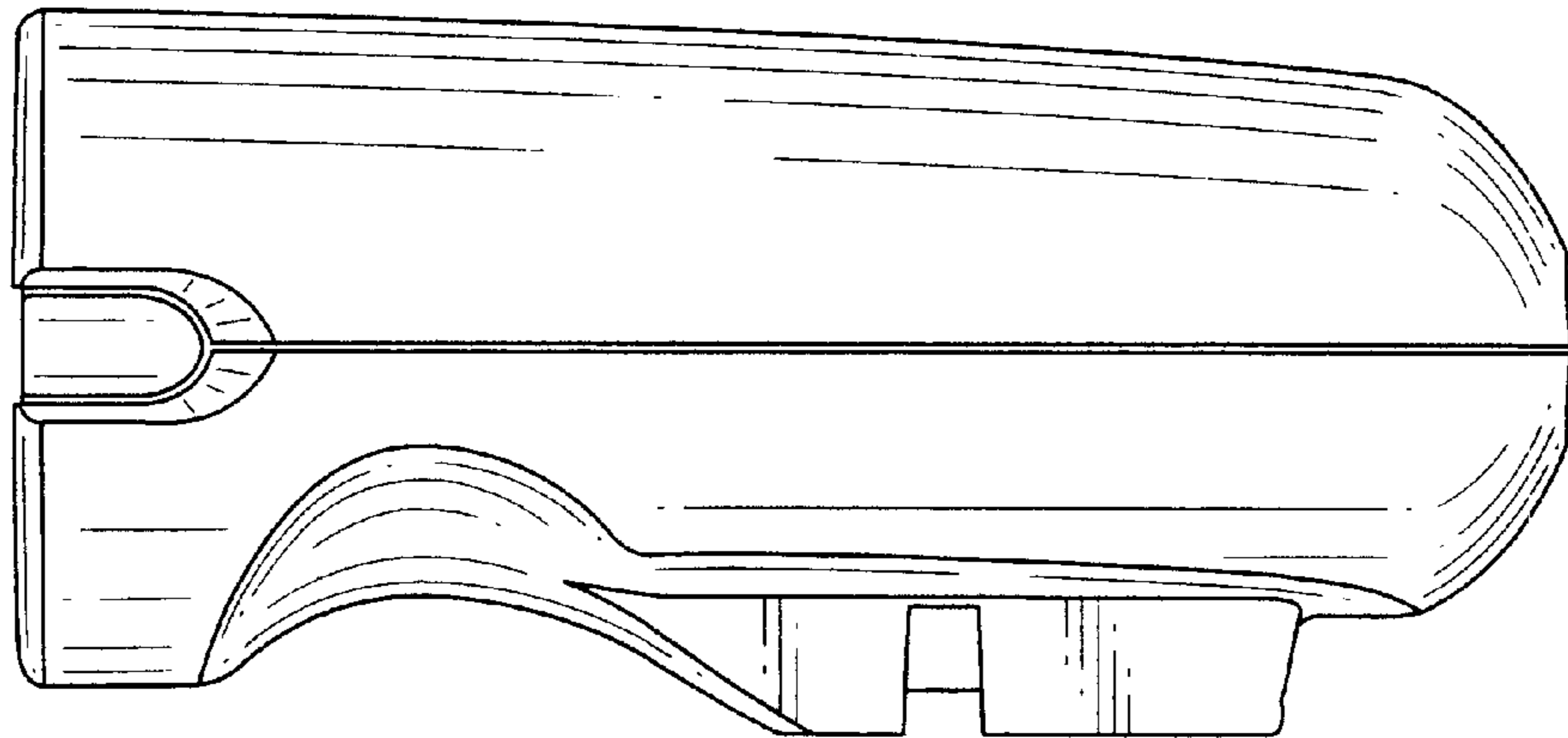


Fig. 7

