

US00D540964S

(12) **United States Design Patent**  
**Cozzi**

(10) **Patent No.:** **US D540,964 S**

(45) **Date of Patent:** **\*\* Apr. 17, 2007**

(54) **LIGHT FOR VEHICLES**

(75) Inventor: **Wolfgang Cozzi**, Leno (IT)

(73) Assignee: **C.O.B.O. S.p.A.**, Leno (IT)

(\*\*) Term: **14 Years**

(21) Appl. No.: **29/260,447**

(22) Filed: **May 24, 2006**

(30) **Foreign Application Priority Data**

Nov. 30, 2005 (EM) ..... 000439278

(51) **LOC (8) Cl.** ..... **26-06**

(52) **U.S. Cl.** ..... **D26/28**

(58) **Field of Classification Search** ..... D26/28-36;  
362/459-468, 475-478, 485-487  
See application file for complete search history.

(56) **References Cited**

**U.S. PATENT DOCUMENTS**

D514,010 S \* 1/2006 Corrigan ..... D10/120

D514,973 S \* 2/2006 Coward ..... D10/120  
D515,228 S \* 2/2006 Gebhard et al. .... D26/28  
D528,680 S \* 9/2006 Oda ..... D26/28

\* cited by examiner

*Primary Examiner*—Marcus A. Jackson

(74) *Attorney, Agent, or Firm*—Pearne & Gordon LLP

(57) **CLAIM**

The ornamental design for a light for vehicles, as shown and described.

**DESCRIPTION**

FIG. 1 is a perspective view of a light for vehicles, showing my new design;

FIG. 2 is a left elevational view thereof;

FIG. 3 is a right elevational view thereof;

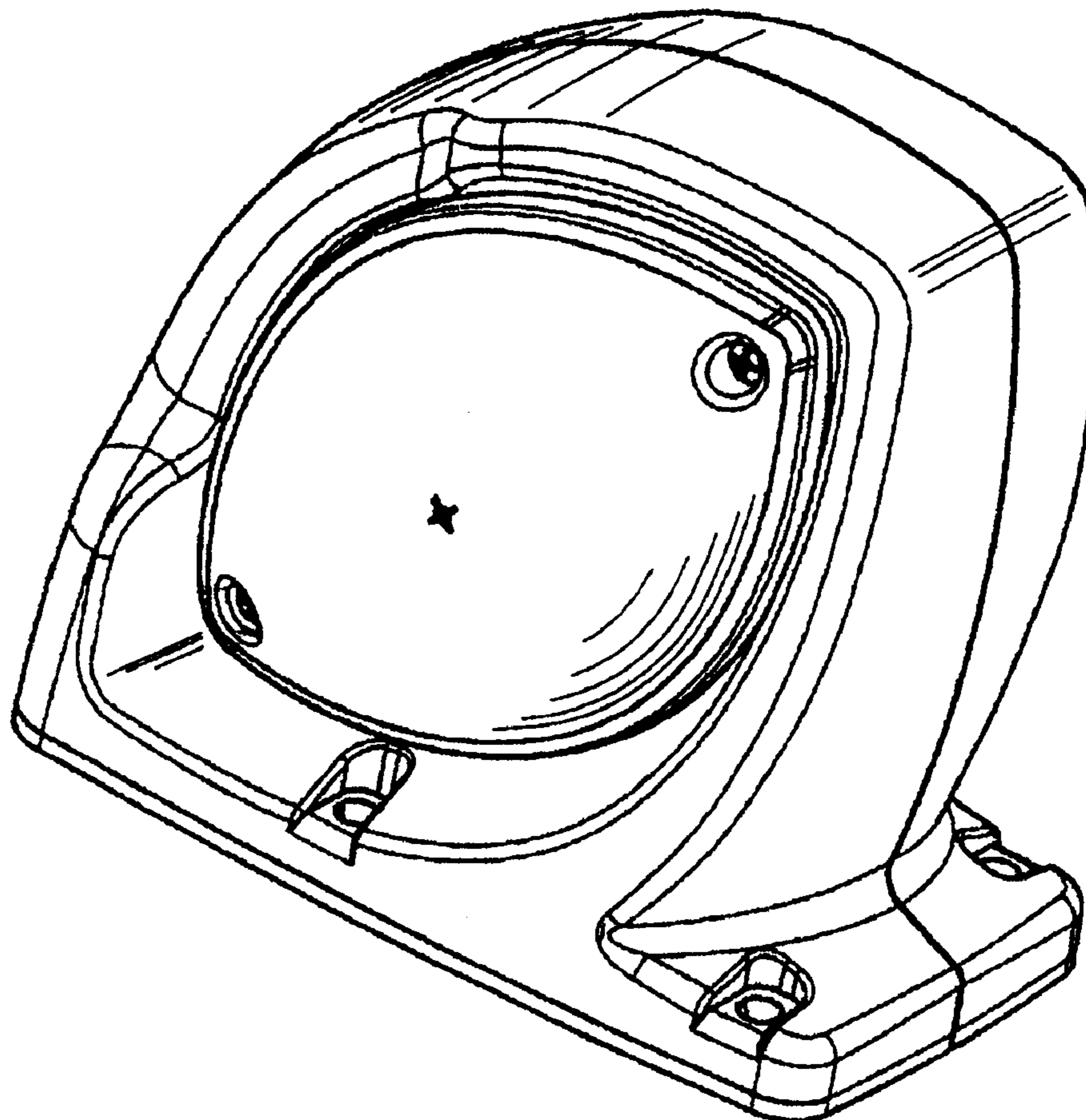
FIG. 4 is a back elevational view thereof;

FIG. 5 is a front elevational view thereof;

FIG. 6 is a top plan view thereof; and,

FIG. 7 is a bottom plan view thereof.

**1 Claim, 7 Drawing Sheets**



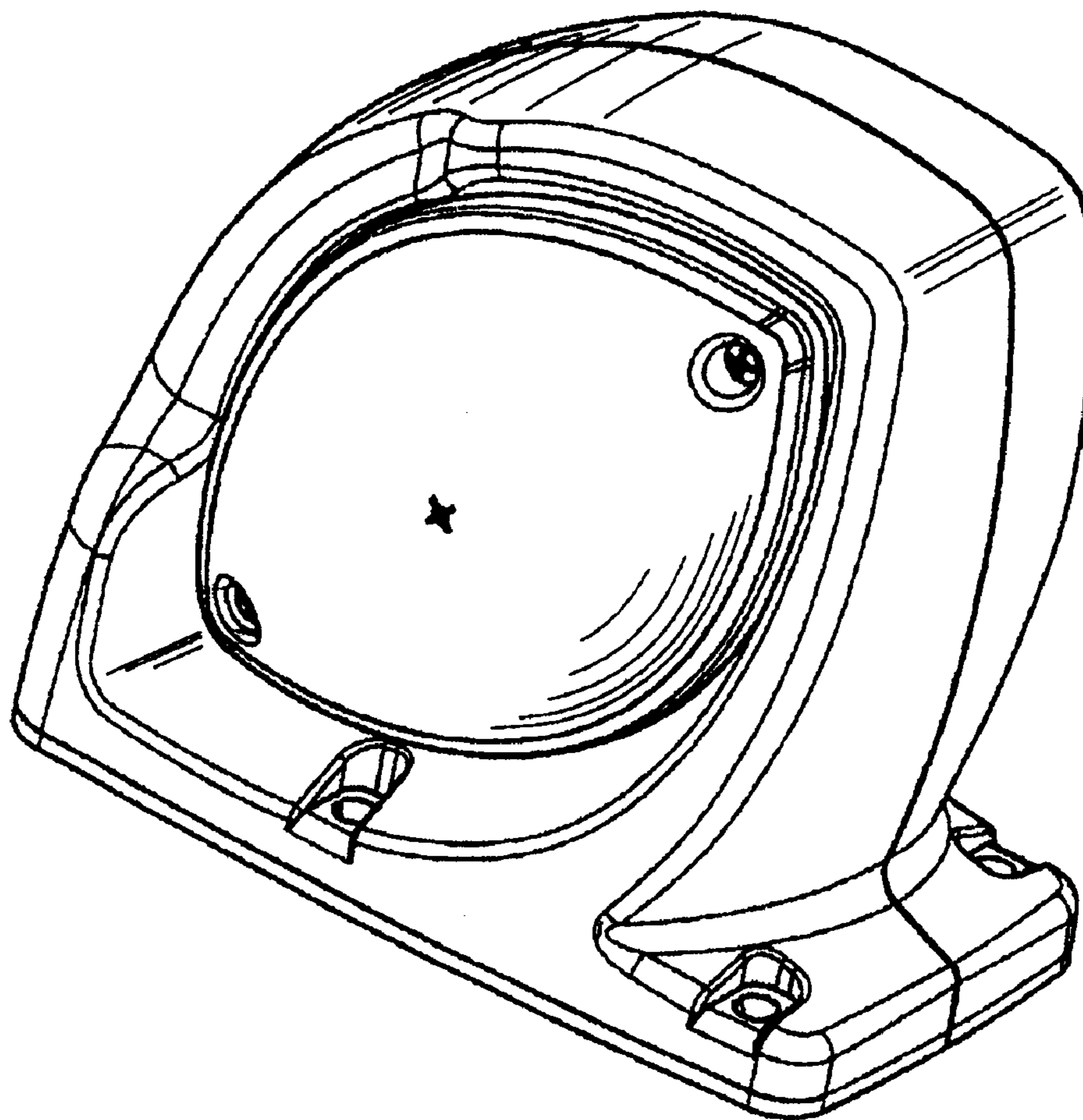


FIG 1

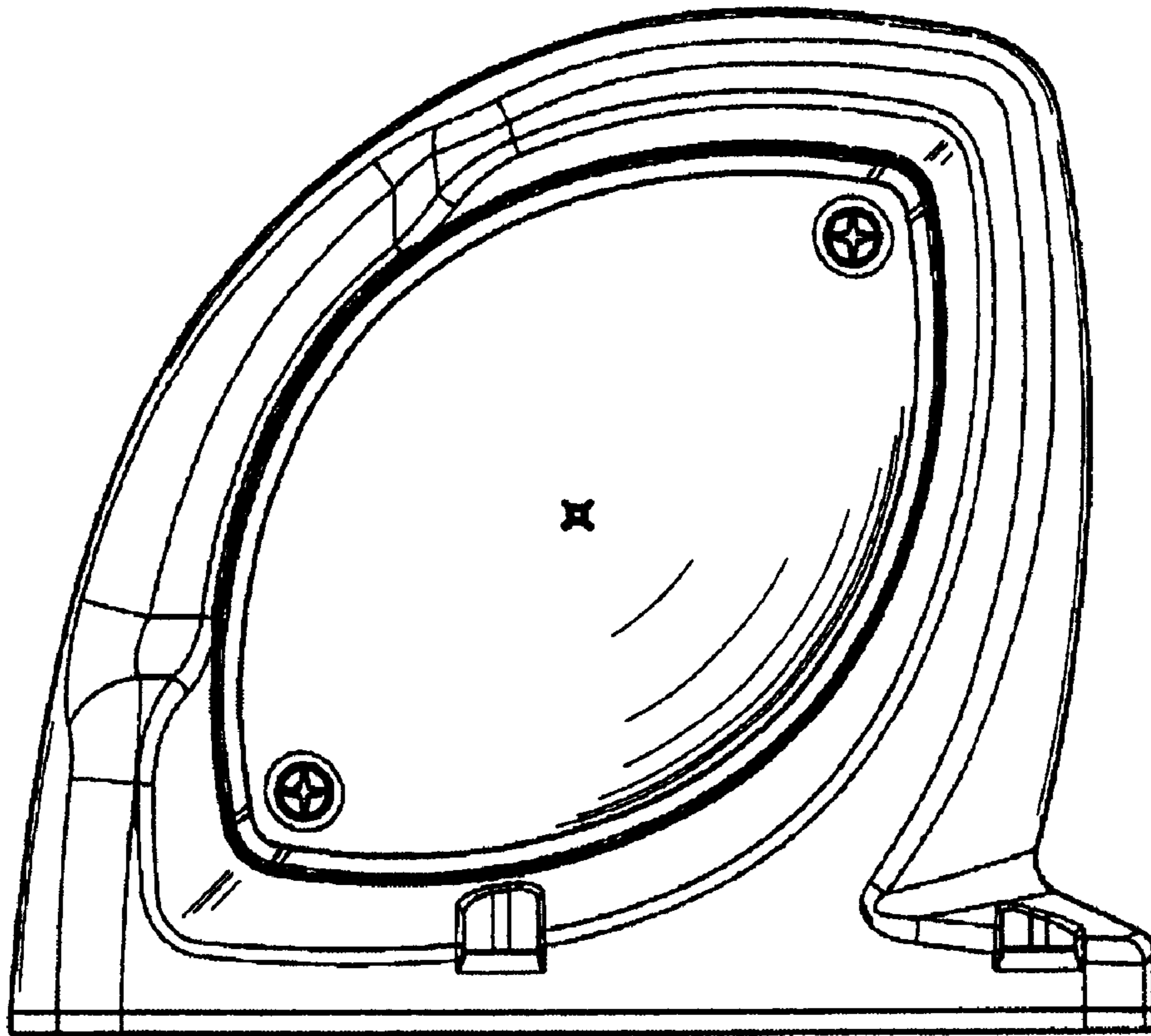


FIG 2

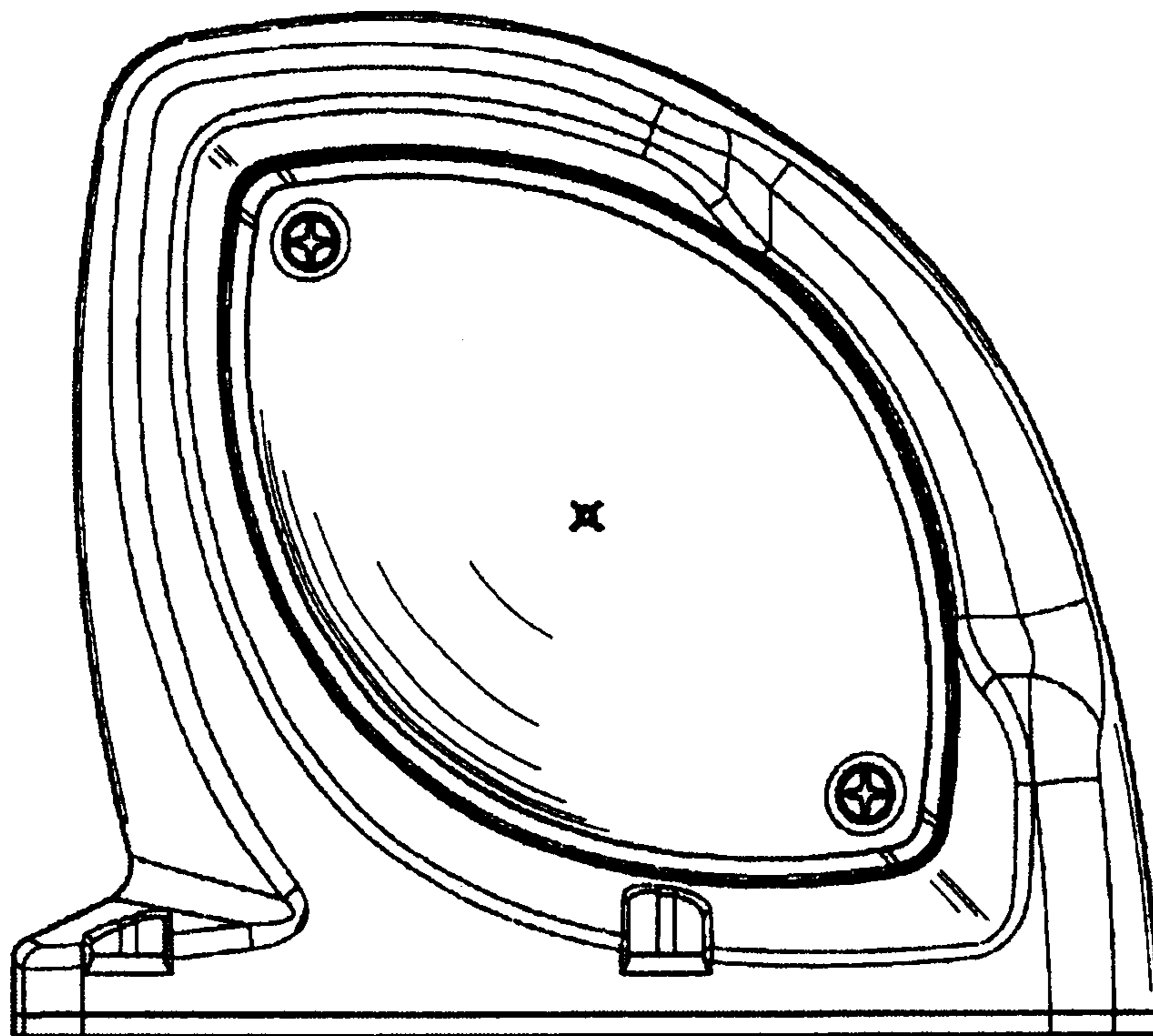


FIG 3

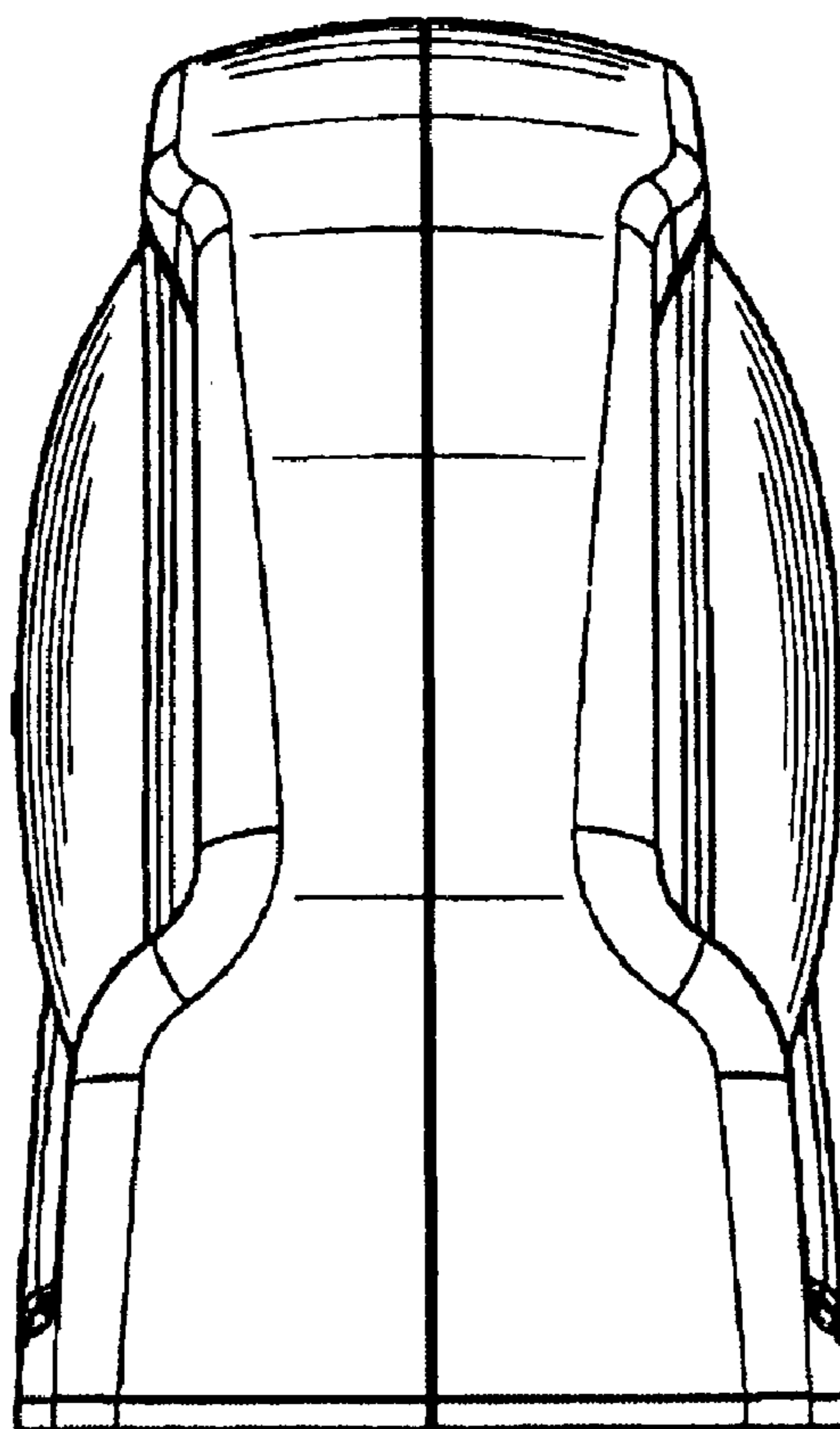


FIG 4

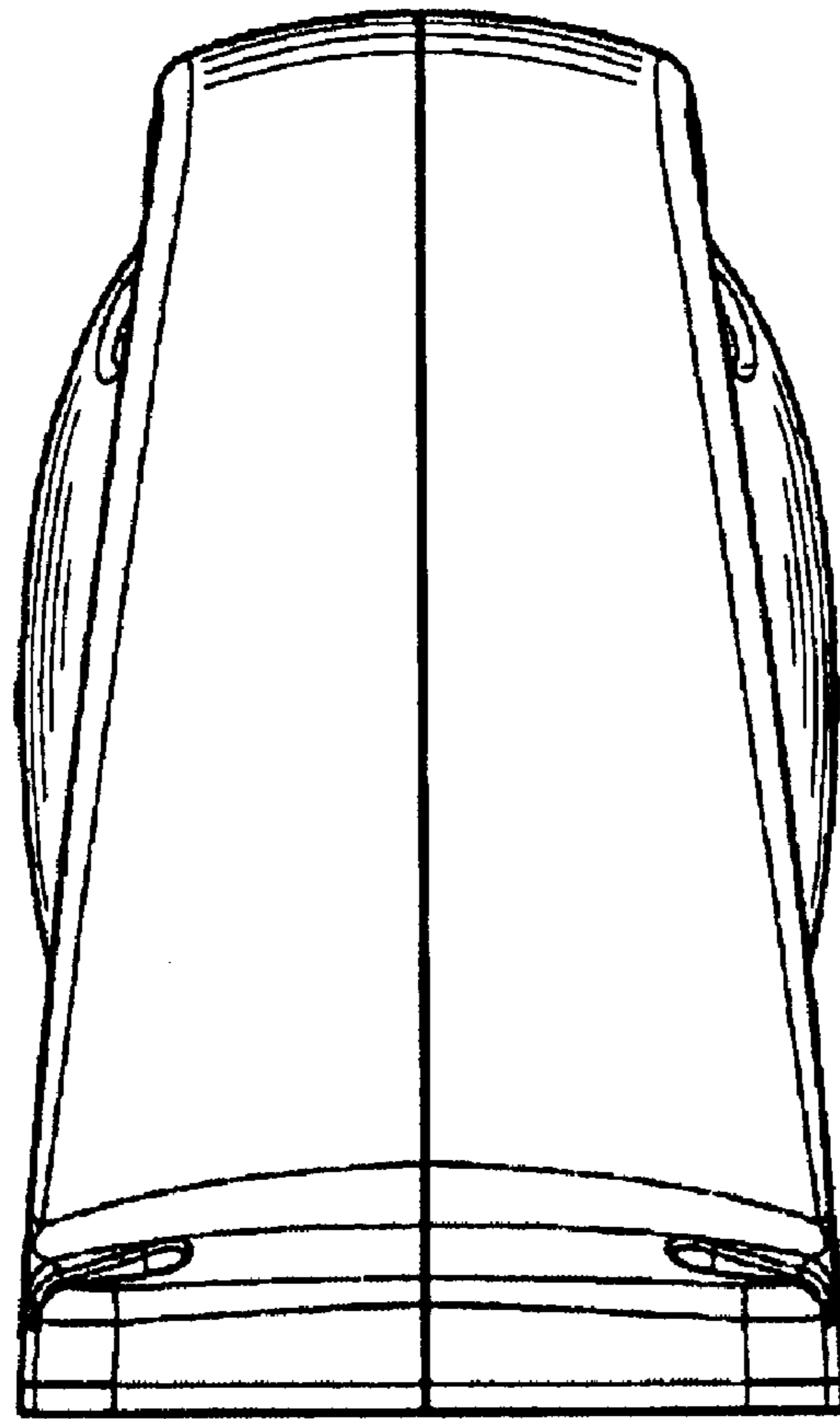


FIG 5

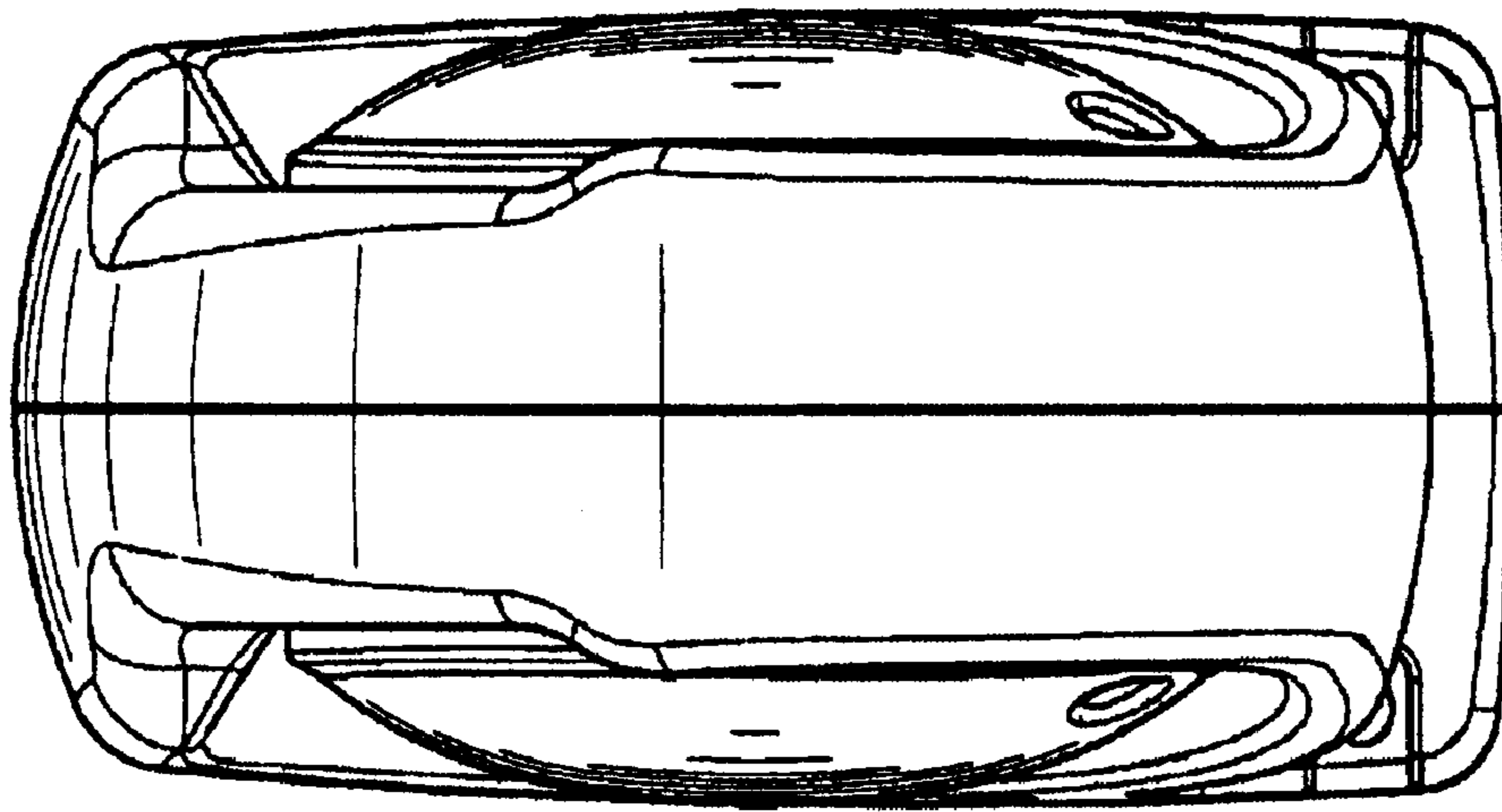


FIG 6

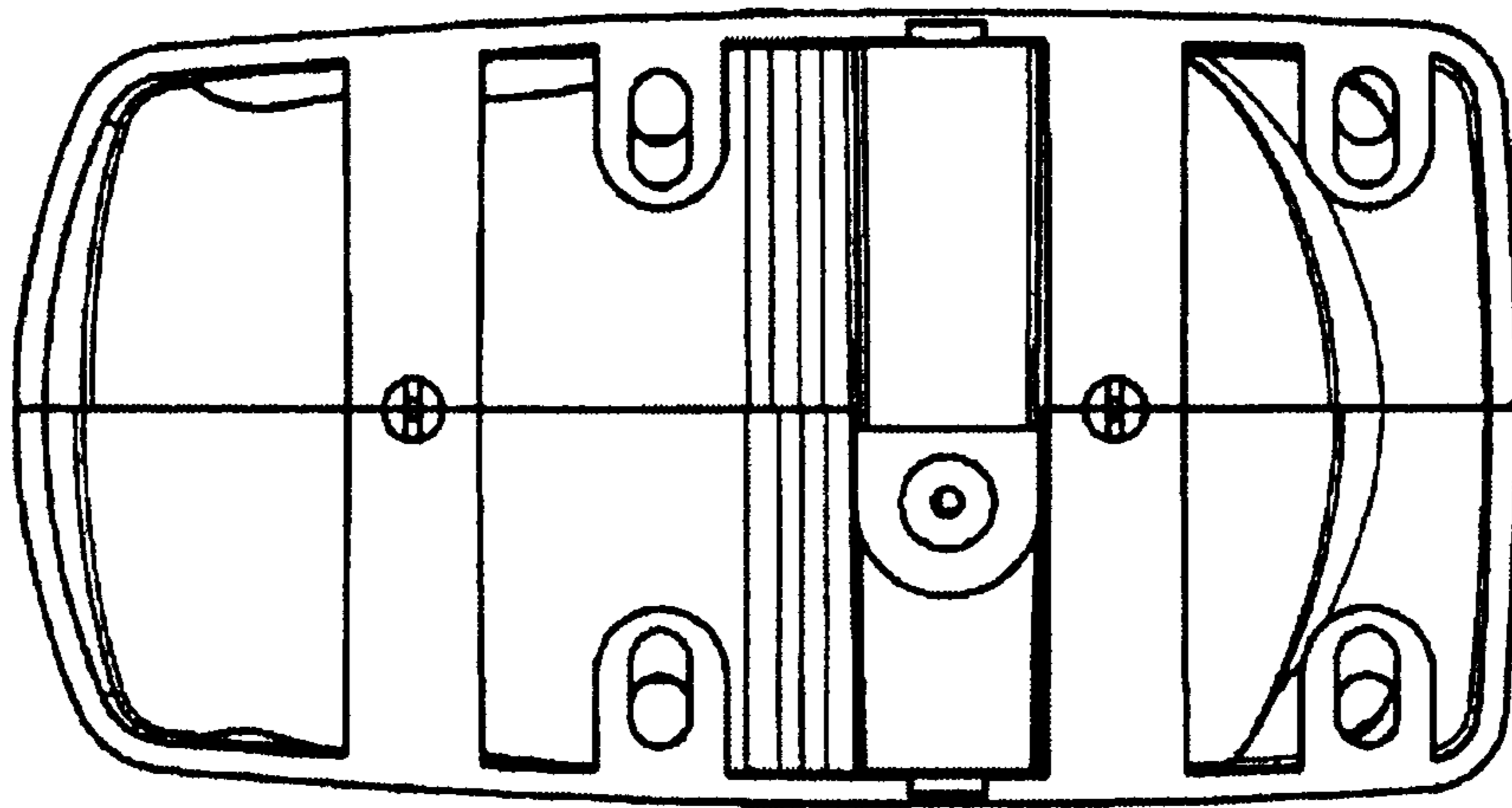


FIG 7