



US00D540960S

(12) **United States Design Patent**  
**Mama**

(10) **Patent No.:** **US D540,960 S**

(45) **Date of Patent:** **\*\* Apr. 17, 2007**

(54) **LED BULB**

D421,929 S \* 3/2000 Hernandez ..... D10/115  
D424,715 S \* 5/2000 Wu ..... D26/2

(75) Inventor: **Jack Mama**, London (GB)

\* cited by examiner

(73) Assignee: **Koninklijke Philips Electronics N.V.**,  
Eindhoven (NL)

*Primary Examiner*—Marcus A. Jackson

(\*\*) Term: **14 Years**

(57) **CLAIM**

(21) Appl. No.: **29/256,071**

The ornamental design for a LED bulb, as shown.

(22) Filed: **Mar. 15, 2006**

**DESCRIPTION**

(30) **Foreign Application Priority Data**

Sep. 16, 2005 (EM) ..... 000401880-0014

(51) **LOC (8) Cl.** ..... **26-04**

(52) **U.S. Cl.** ..... **D26/2**

(58) **Field of Classification Search** ..... D26/1-4;  
313/313, 315, 317, 318, 493; 315/52, 53,  
315/56, 57, 58

See application file for complete search history.

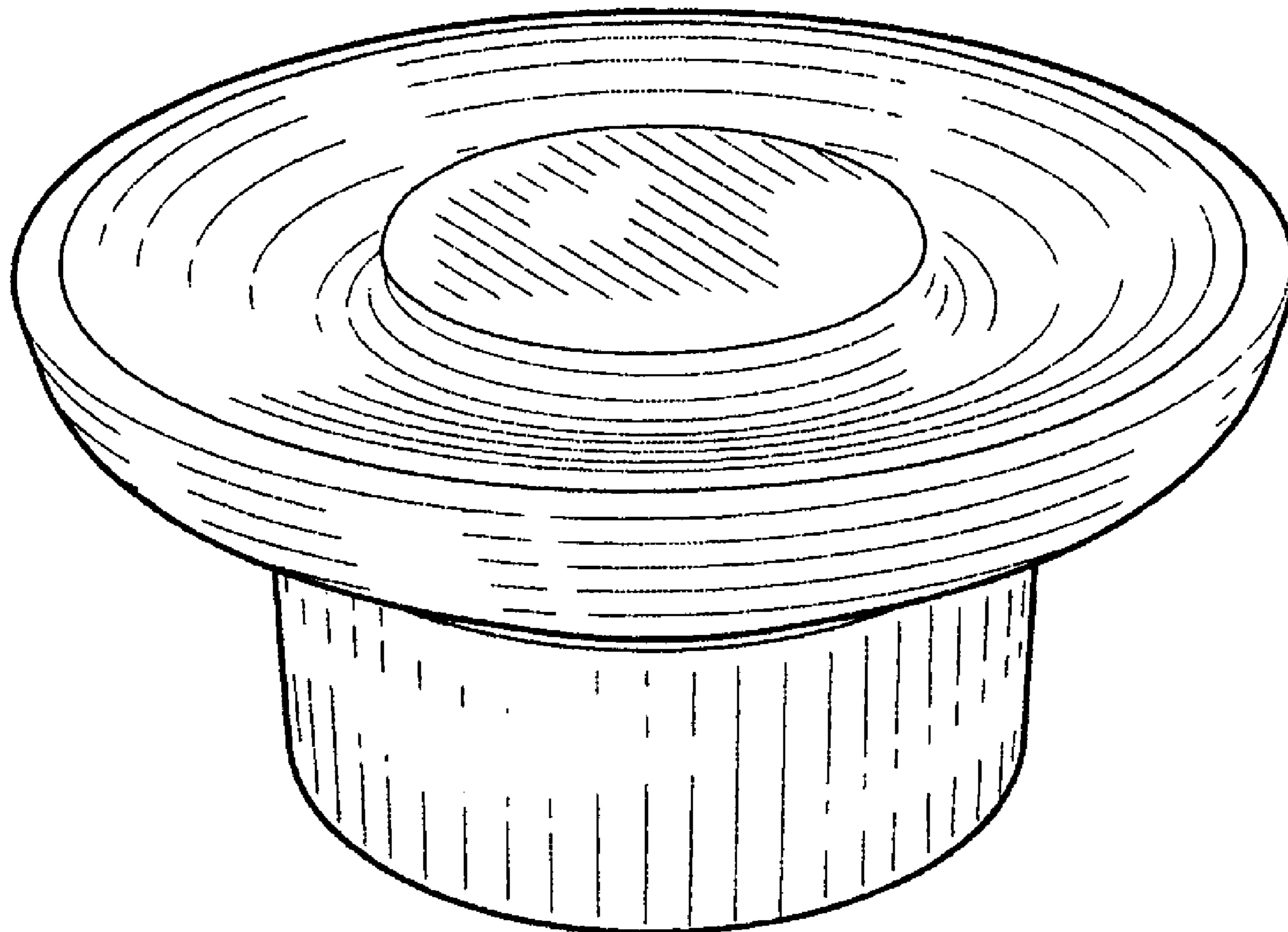
FIG. 1 is a perspective view showing my design;  
FIG. 2 is a front elevational view thereof;  
FIG. 3 is a rear elevational view thereof;  
FIG. 4 is a right side elevational view thereof;  
FIG. 5 is a left side elevational view thereof;  
FIG. 6 is a top plan view thereof; and,  
FIG. 7 is a bottom plan view thereof.

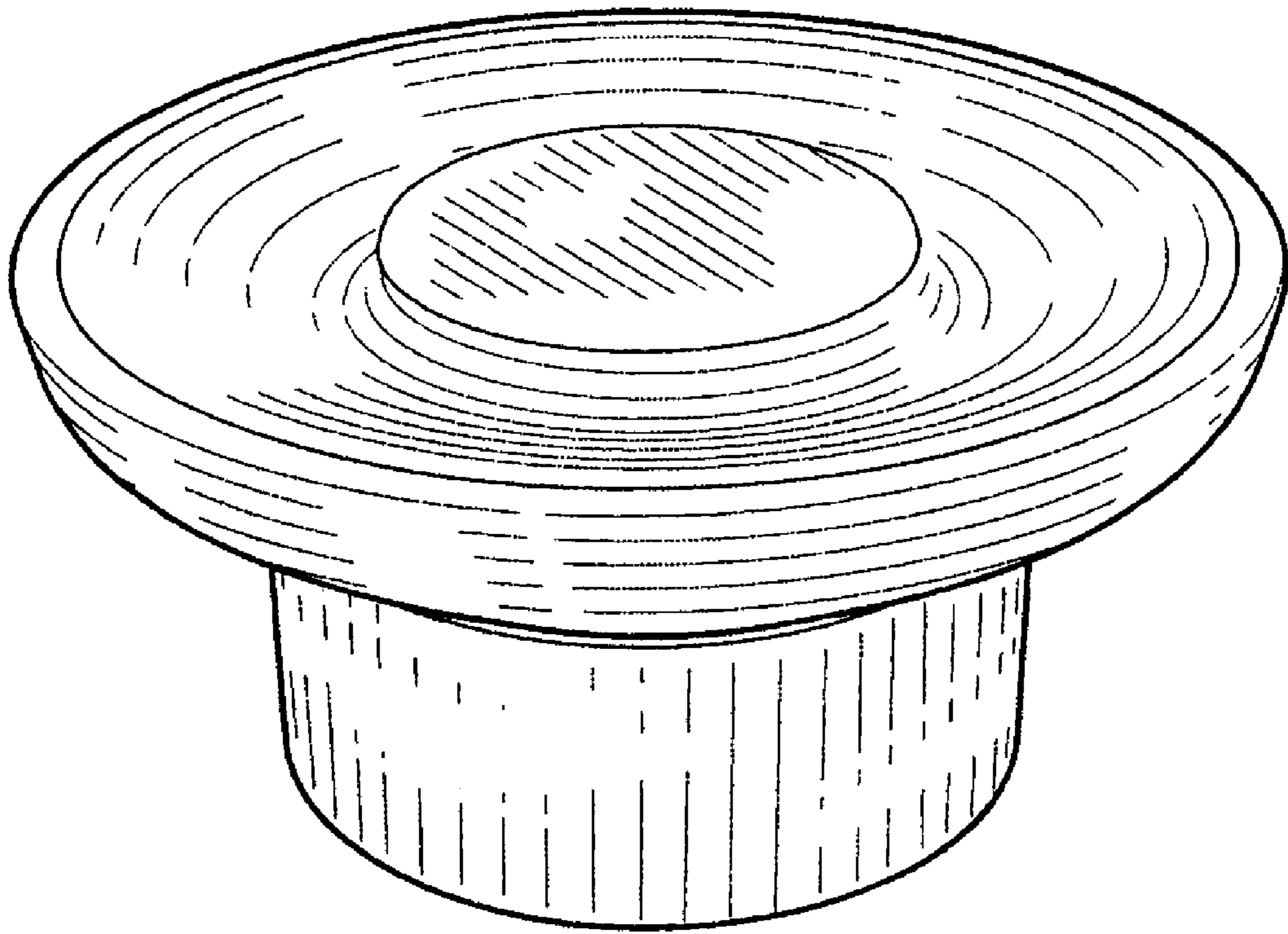
(56) **References Cited**

**U.S. PATENT DOCUMENTS**

D388,726 S \* 1/1998 Wu ..... D10/115

**1 Claim, 3 Drawing Sheets**





**FIG. 1**

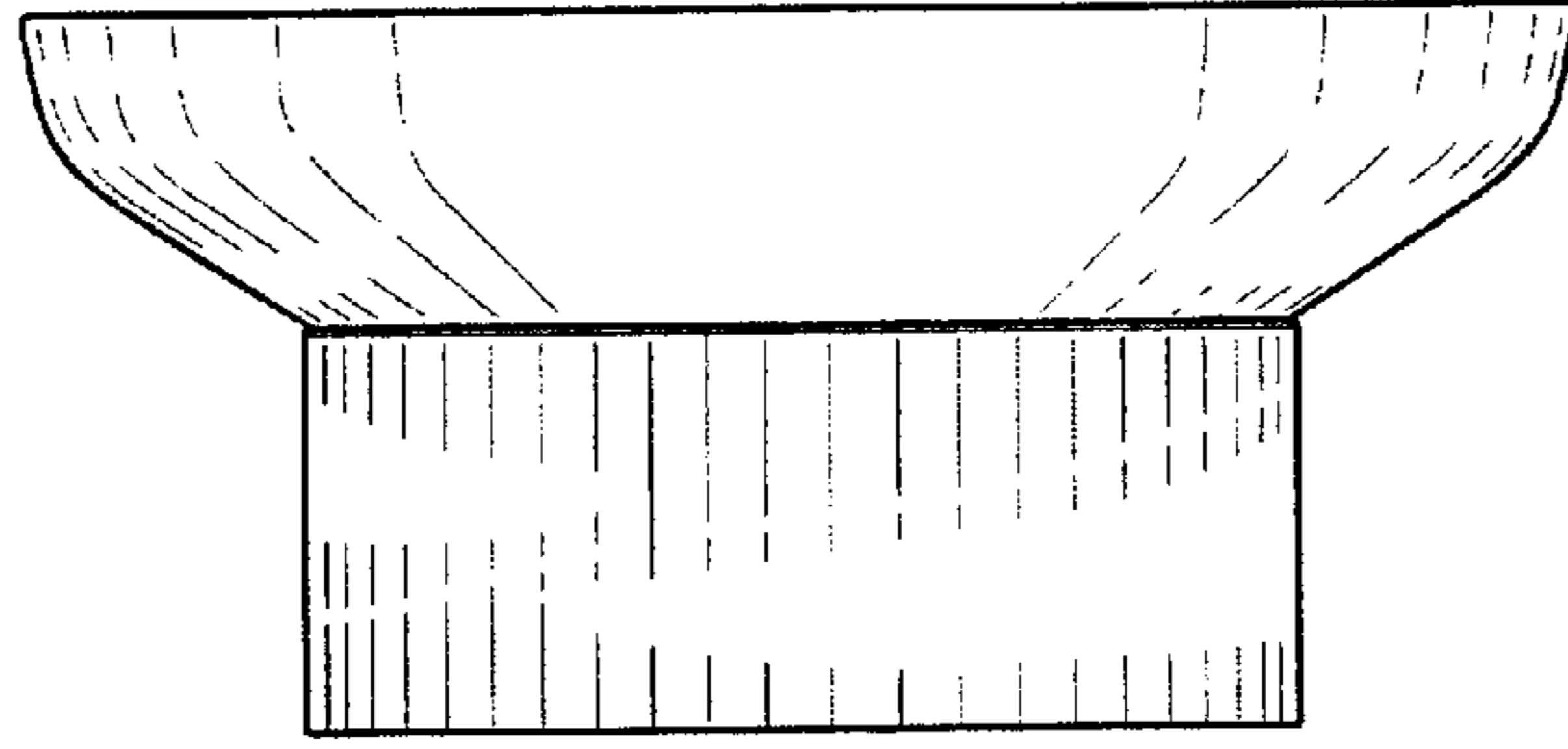


FIG. 2

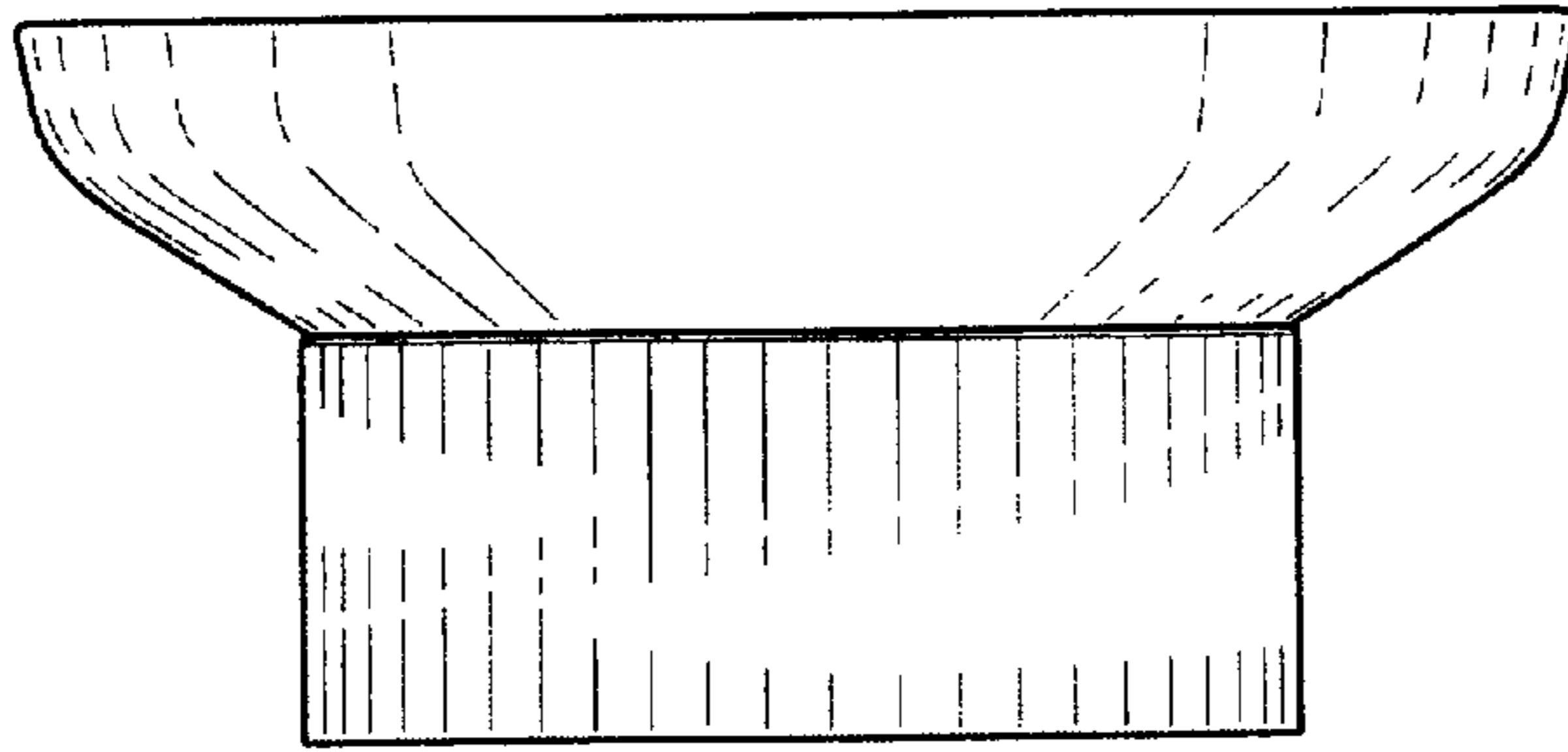


FIG. 3

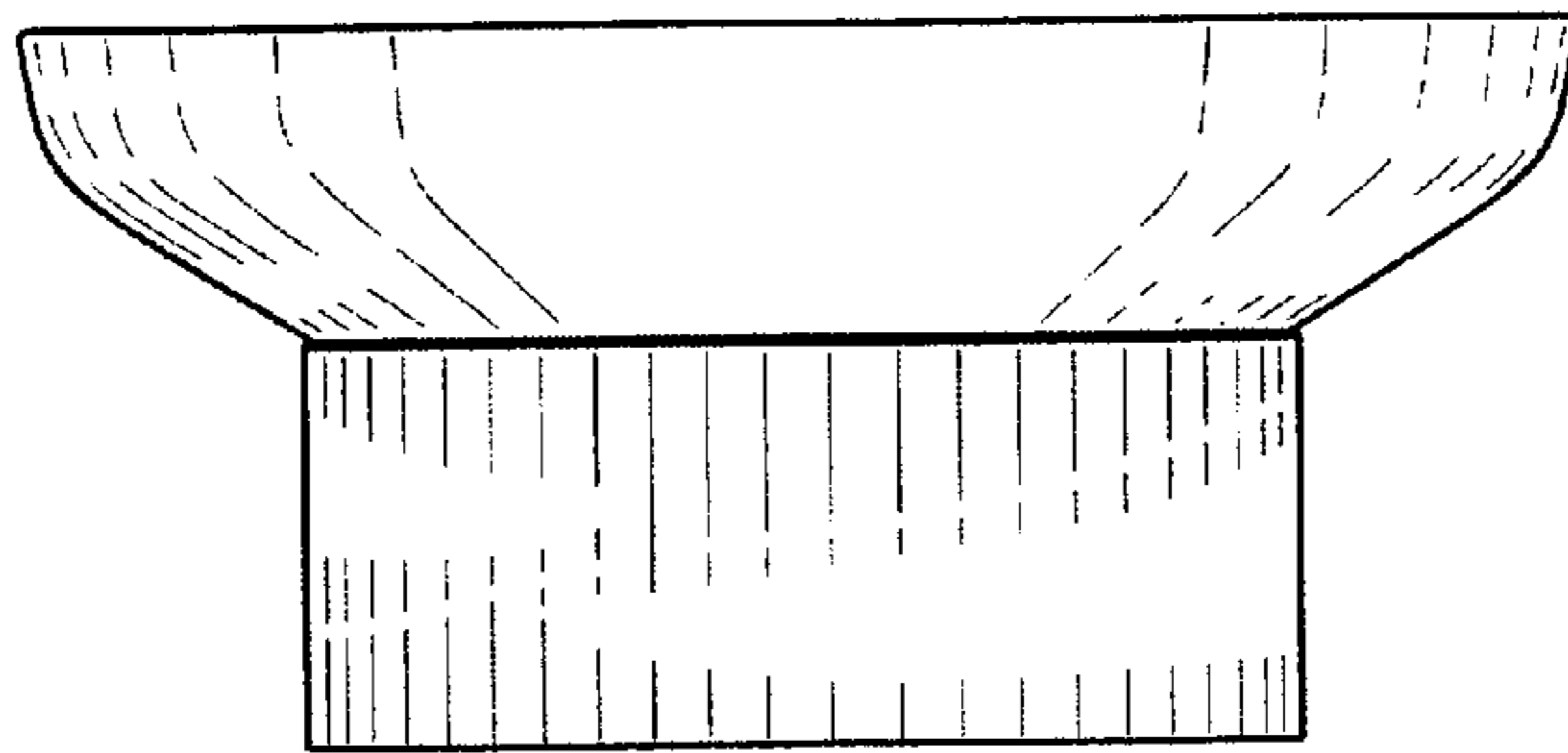


FIG. 4

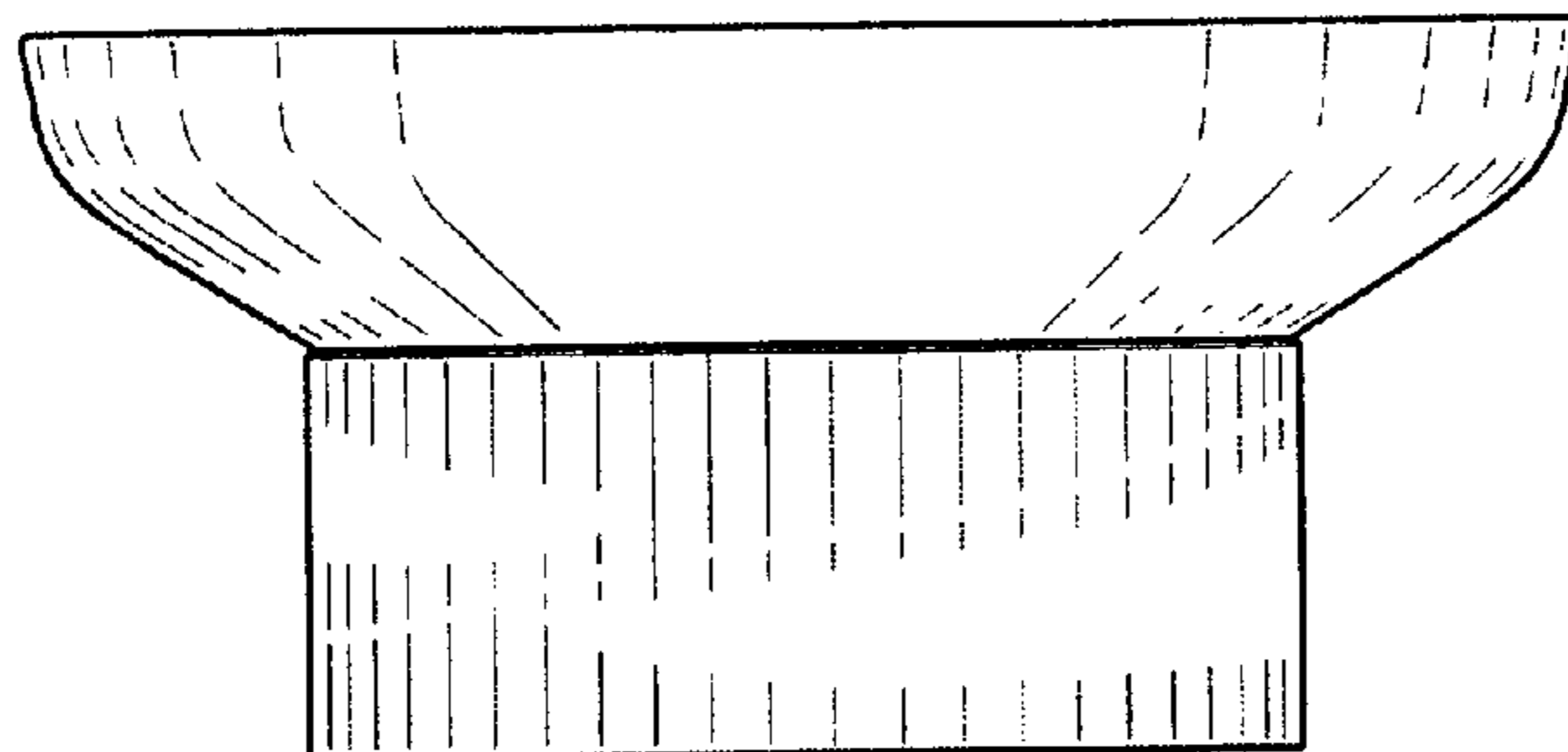


FIG. 5

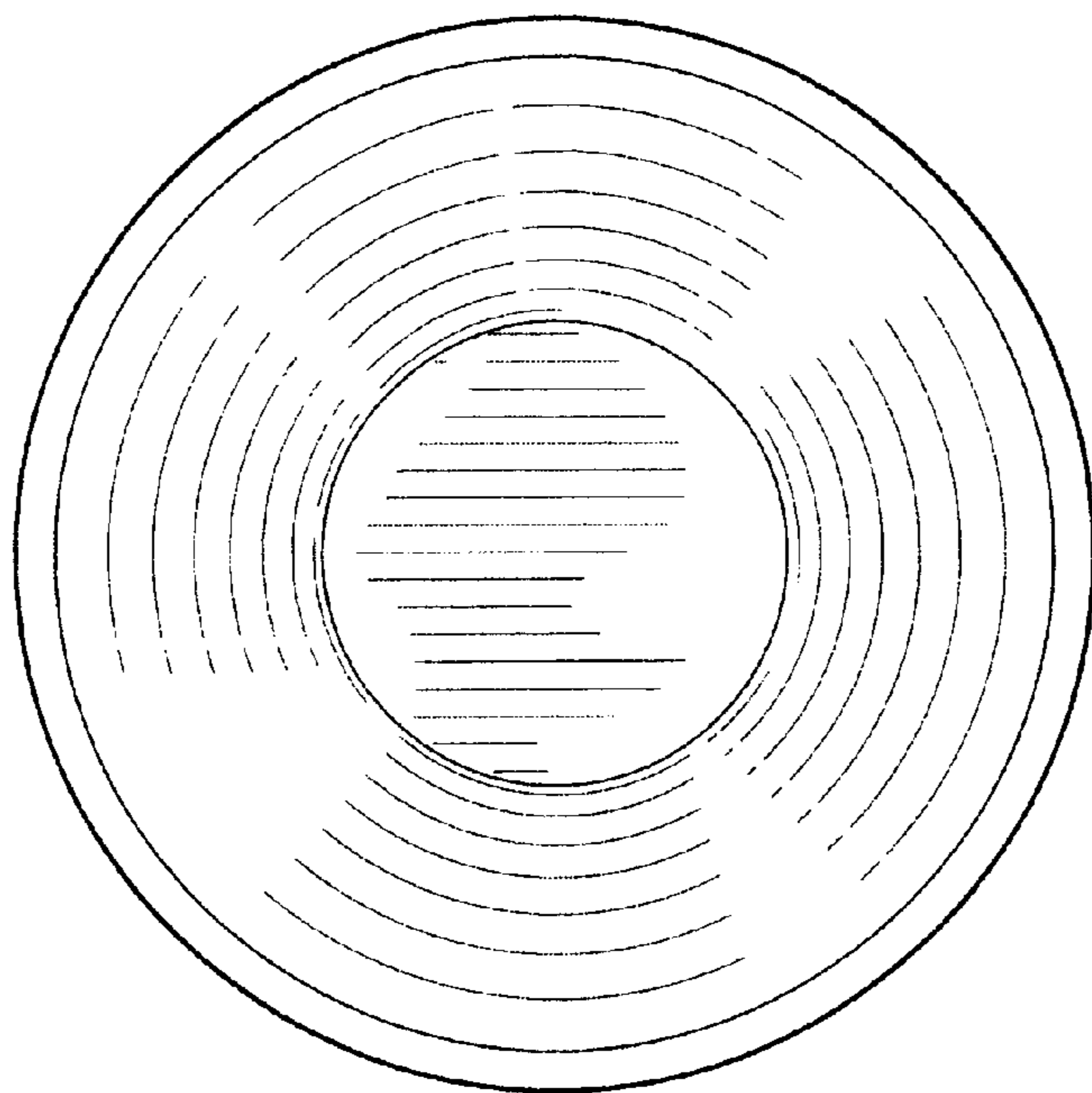


FIG. 6

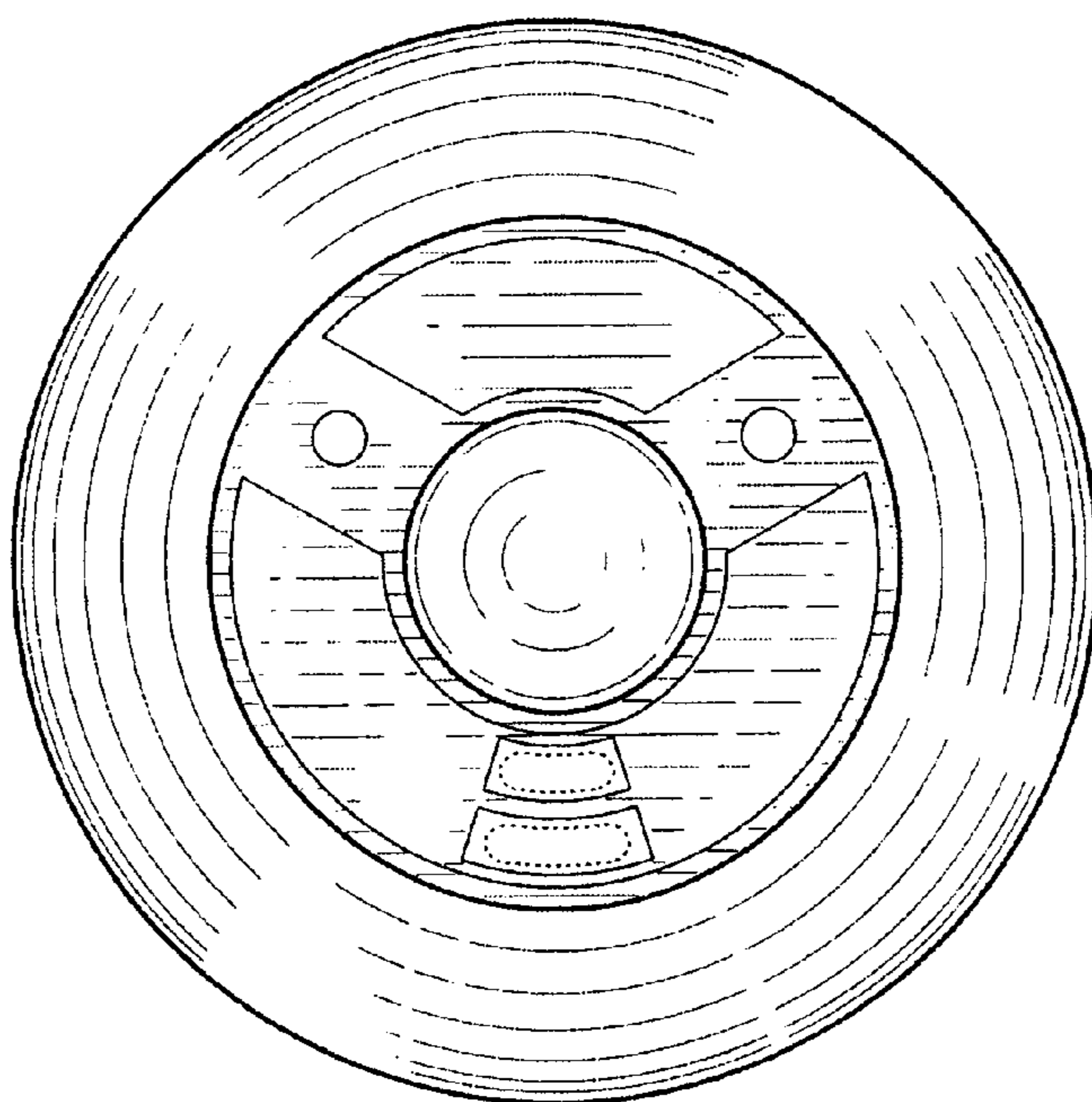


FIG. 7