

US00D540953S

(12) **United States Design Patent**
Ramel et al.

(10) **Patent No.:** **US D540,953 S**
(45) **Date of Patent:** **** Apr. 17, 2007**

- (54) **TEST METER CARTRIDGE**
- (75) Inventors: **Urs A. Ramel**, Sunnyvale, CA (US);
Dillan Tay, San Jose, CA (US)
- (73) Assignee: **Metrika, Inc.**, Sunnyvale, CA (US)
- (**) Term: **14 Years**
- (21) Appl. No.: **29/259,184**
- (22) Filed: **May 2, 2006**

6,143,164 A	*	11/2000	Heller et al.	600/583
D438,310 S	*	2/2001	Yamanishi et al.	D24/216
D456,082 S	*	4/2002	Bouse et al.	D24/225
D468,437 S	*	1/2003	McMenamy et al.	D24/223
6,572,745 B2	*	6/2003	Rappin et al.	204/403.14
D500,142 S	*	12/2004	Crisanti et al.	D24/224
D512,512 S	*	12/2005	Bell et al.	D24/225
D530,826 S	*	10/2006	Rich et al.	D24/225
2002/0061260 A1	*	5/2002	Husar	422/102
2004/0028558 A1	*	2/2004	Pollock et al.	422/100

* cited by examiner

Primary Examiner—Louis Zarfaz

Assistant Examiner—Mark Cavanna

(74) *Attorney, Agent, or Firm*—Gordon & Bees, Inc.

Related U.S. Application Data

- (62) Division of application No. 11/121,972, filed on May 4, 2005.
- (51) **LOC (8) Cl.** **24-01**
- (52) **U.S. Cl.** **D24/224**
- (58) **Field of Classification Search** D24/216,
D24/224-232; 422/57-58, 63-65, 67, 99-100,
422/104; 435/7.1, 7.24, 43, 47-48; 204/403.14;
600/583
See application file for complete search history.

(57) **CLAIM**

The ornamental design for a test meter cartridge, as shown and described.

DESCRIPTION

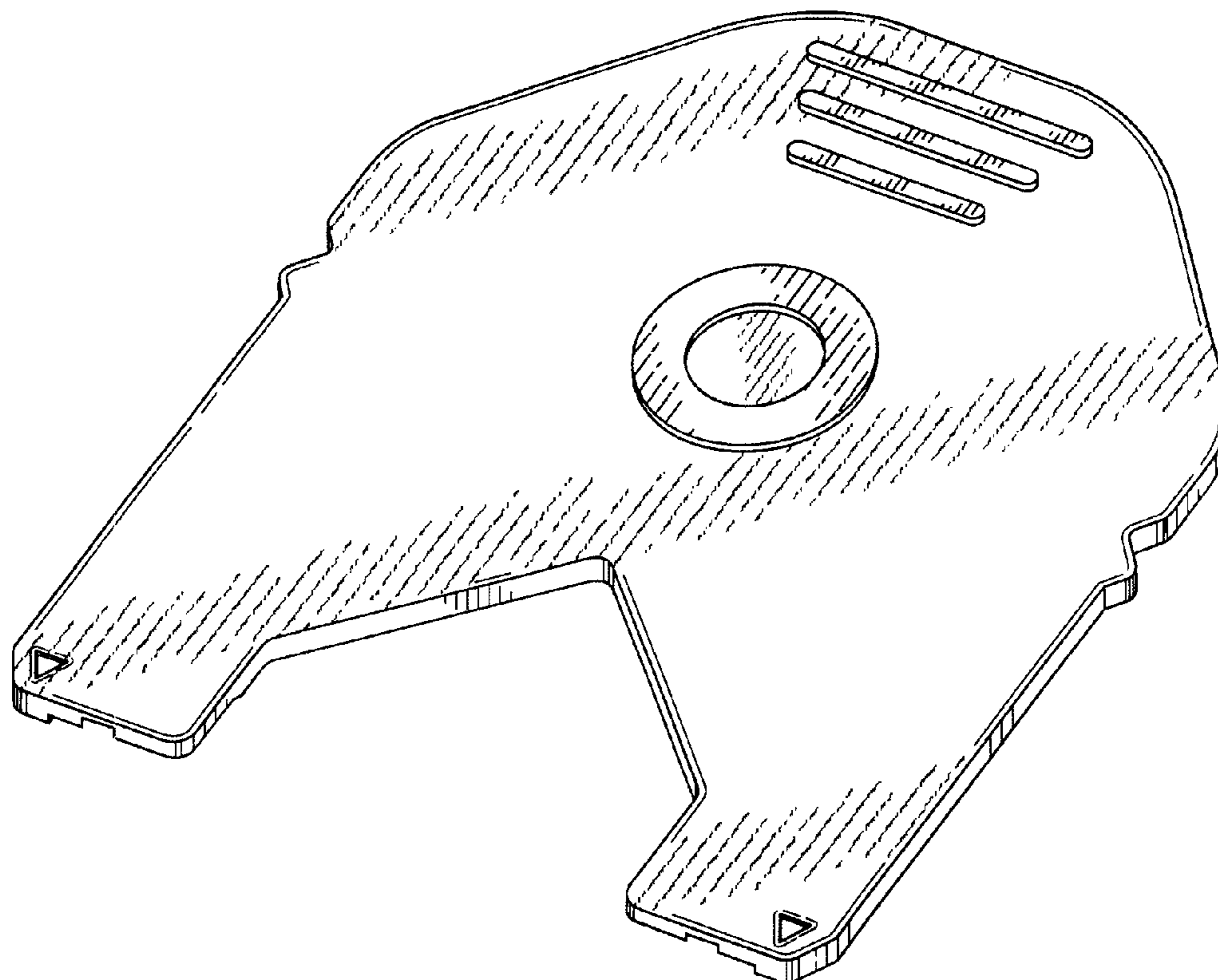
FIG. 1 is a top perspective view of the cartridge.
 FIG. 2 is a top plan view of the cartridge.
 FIG. 3 is a bottom plan view of the cartridge.
 FIG. 4 is a front end view of the cartridge.
 FIG. 5 is a back end view of the cartridge.
 FIG. 6 is a left side elevation view of the cartridge; and,
 FIG. 7 is a right side elevation view of the cartridge.

(56) **References Cited**

U.S. PATENT DOCUMENTS

5,912,134 A	*	6/1999	Shartle	435/7.24
5,997,817 A	*	12/1999	Crismore et al.	422/58
6,087,184 A	*	7/2000	Magginetti et al.	435/7.1

1 Claim, 4 Drawing Sheets



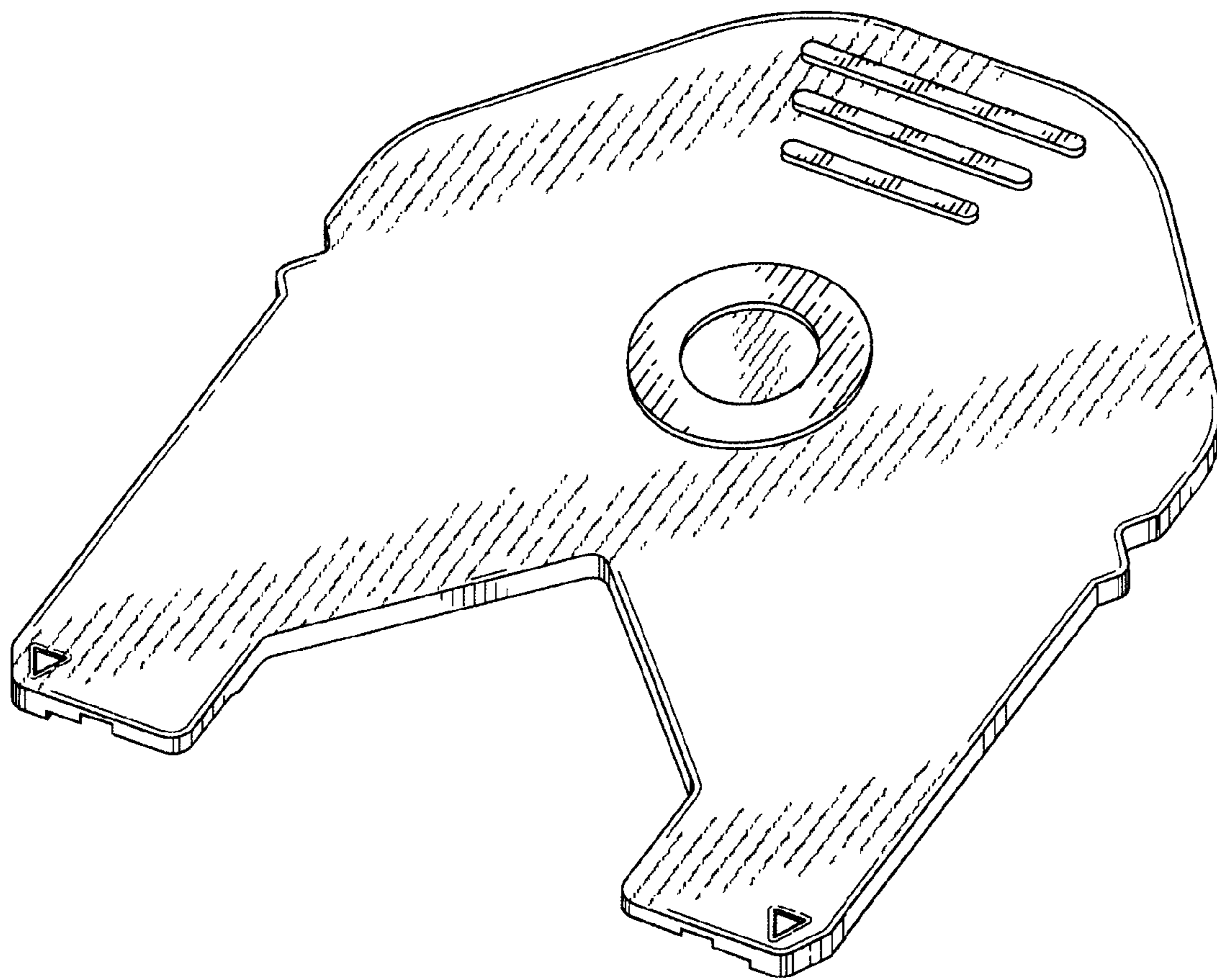


FIG. 1

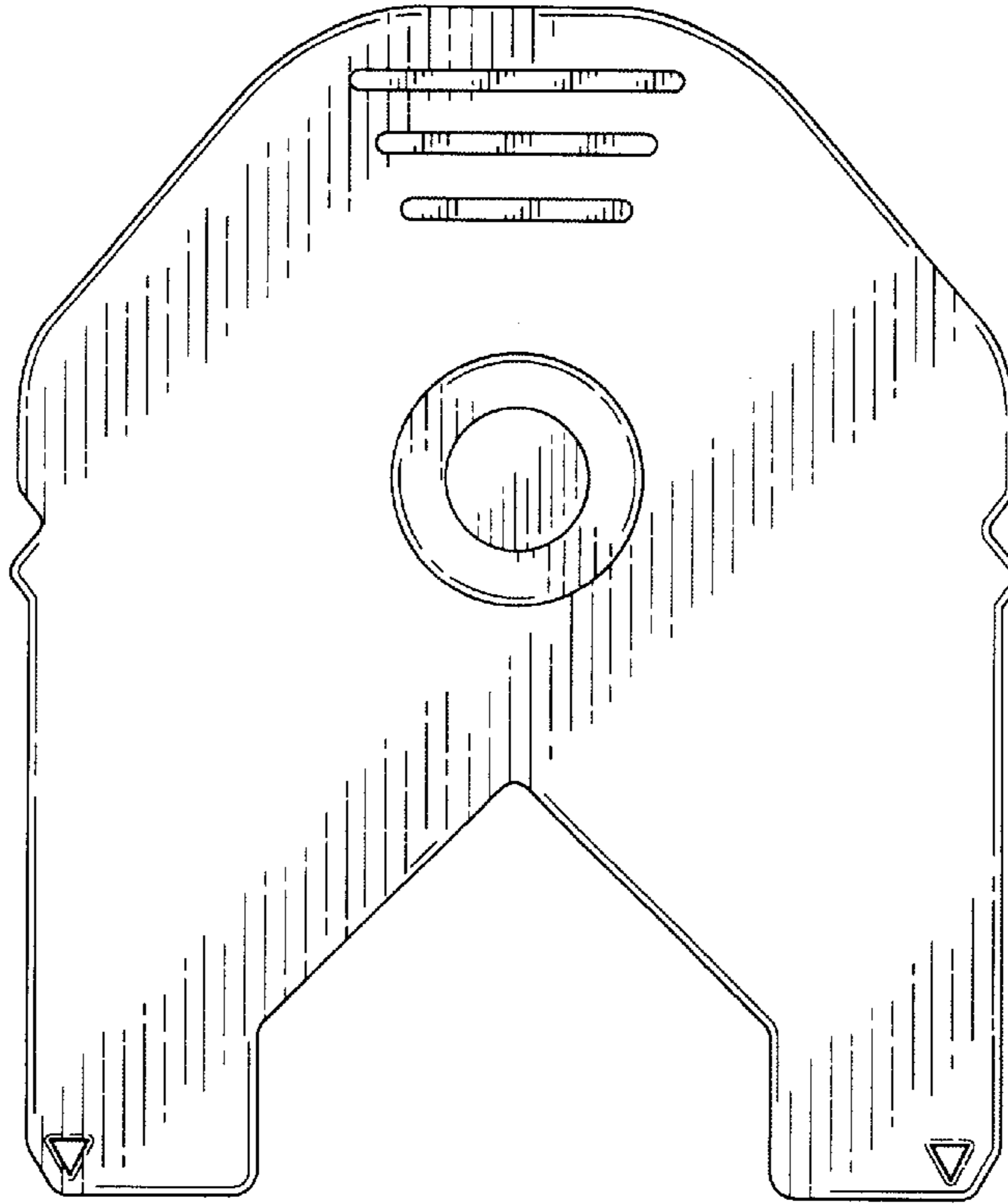


FIG. 2

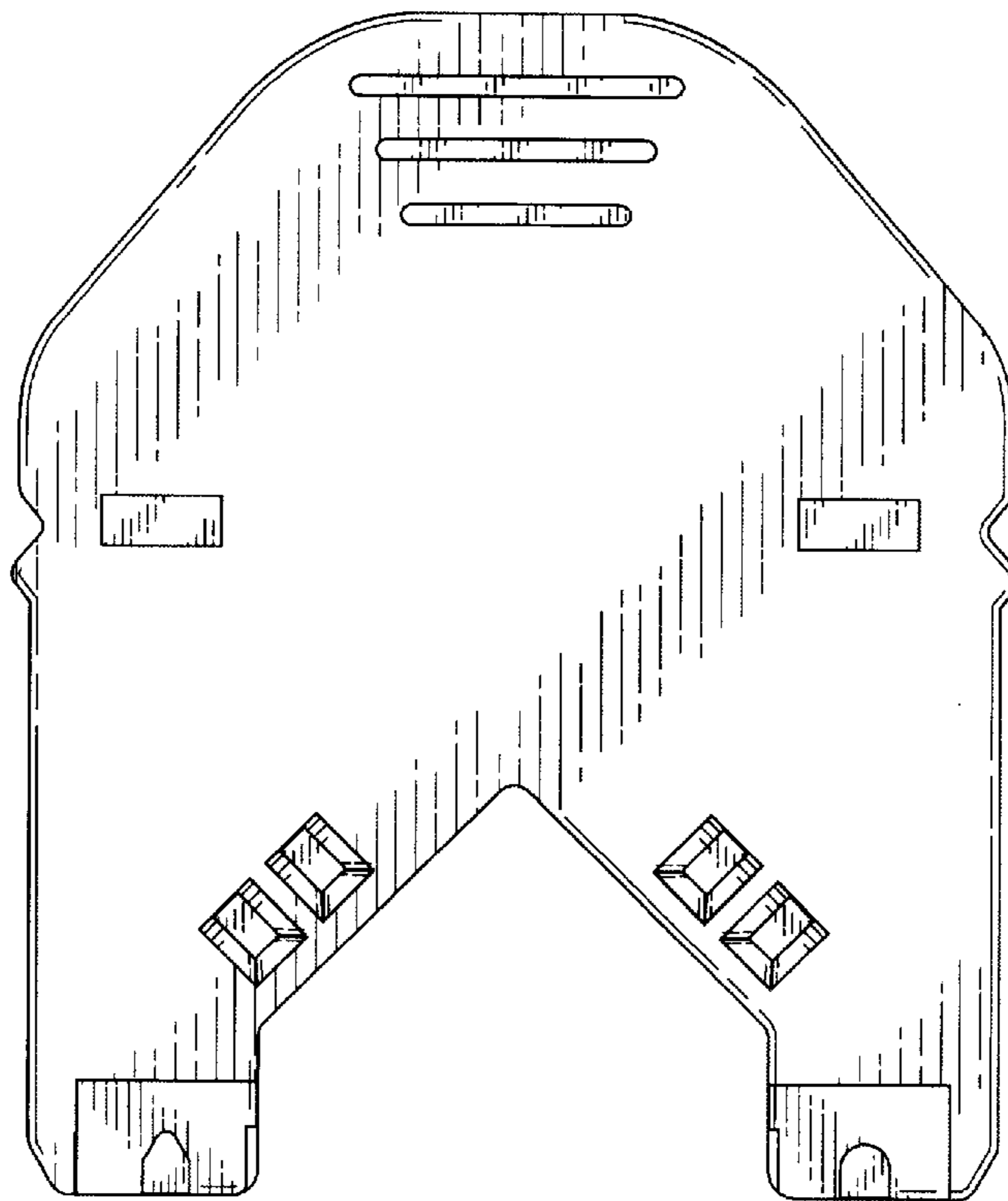


FIG. 3

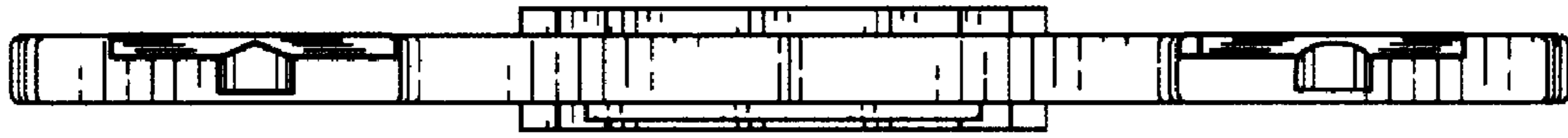


FIG. 4

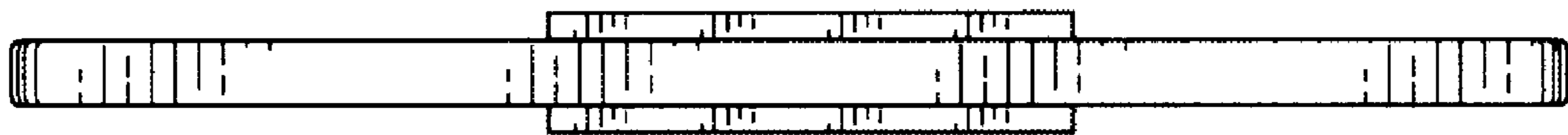


FIG. 5

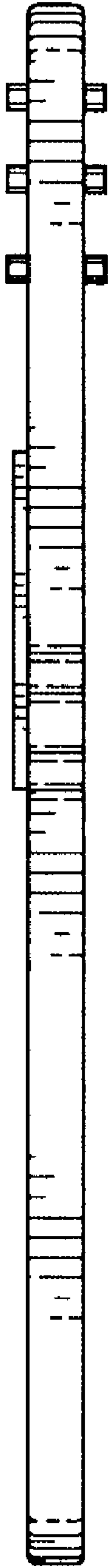


FIG. 6



FIG. 7

UNITED STATES PATENT AND TRADEMARK OFFICE
CERTIFICATE OF CORRECTION

PATENT NO. : Des. 540,953 S
APPLICATION NO. : 29/259184
DATED : April 17, 2007
INVENTOR(S) : Urs A. Ramel and Dillan Tay

Page 1 of 1

It is certified that error appears in the above-identified patent and that said Letters Patent is hereby corrected as shown below:

Title Page, Item (74) should read
(74) *Attorney, Agent, or firm*—"Gordon & Bees, Inc." should say
--Gordon & Rees, LLP--

Signed and Sealed this

Nineteenth Day of June, 2007

A handwritten signature in black ink on a light gray dotted background. The signature reads "Jon W. Dudas" in a cursive style.

JON W. DUDAS

Director of the United States Patent and Trademark Office